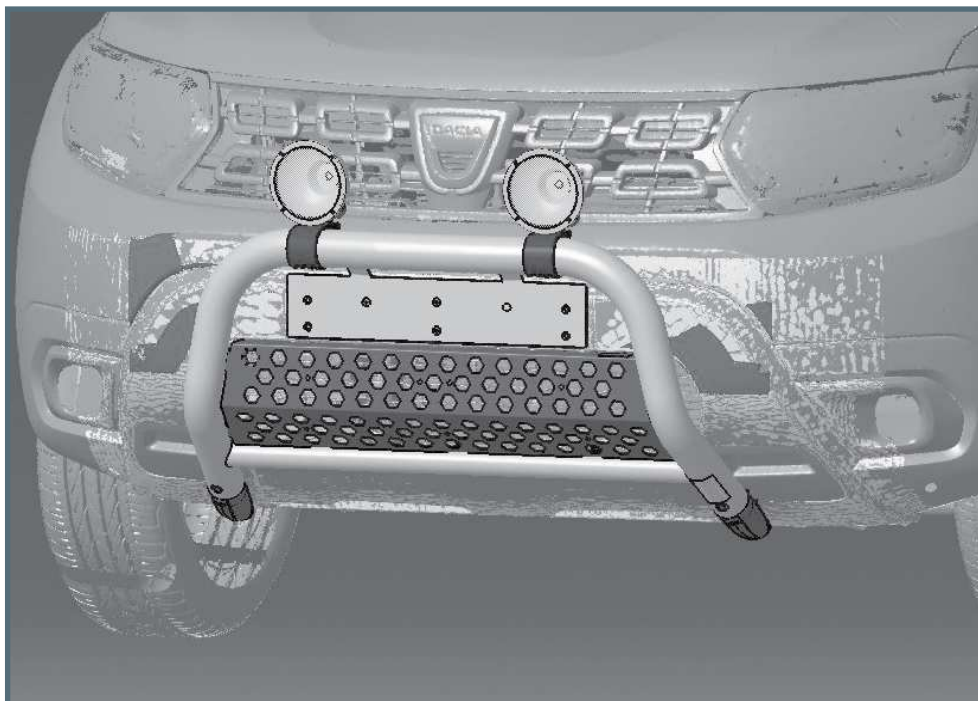


15A 4313

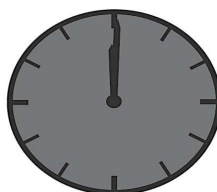
Dacia Duster, Md. 01/2018

EU-Pedestrian Protection Bar 60 mm with cross pipe 42 mm
EU-Personenschutzbügel 60 mm mit Querrohr 42 mm
Protection avant, homologuée CEE, 60 mm, traverse 42 mm



ASSEMBLY INSTRUCTION

Montageanleitung • Instructions de montage



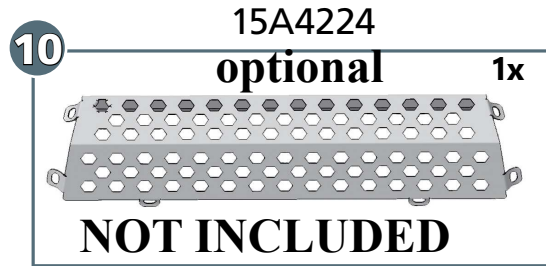
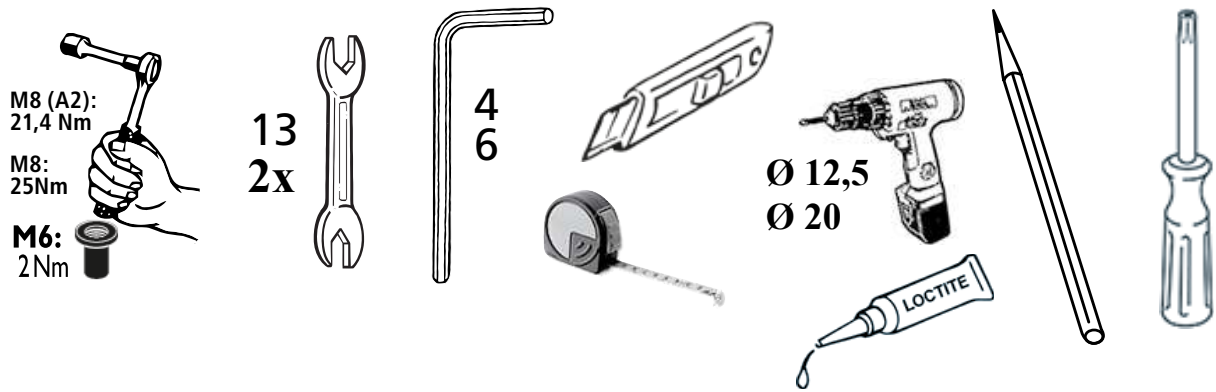
120 Minuten

article no.:

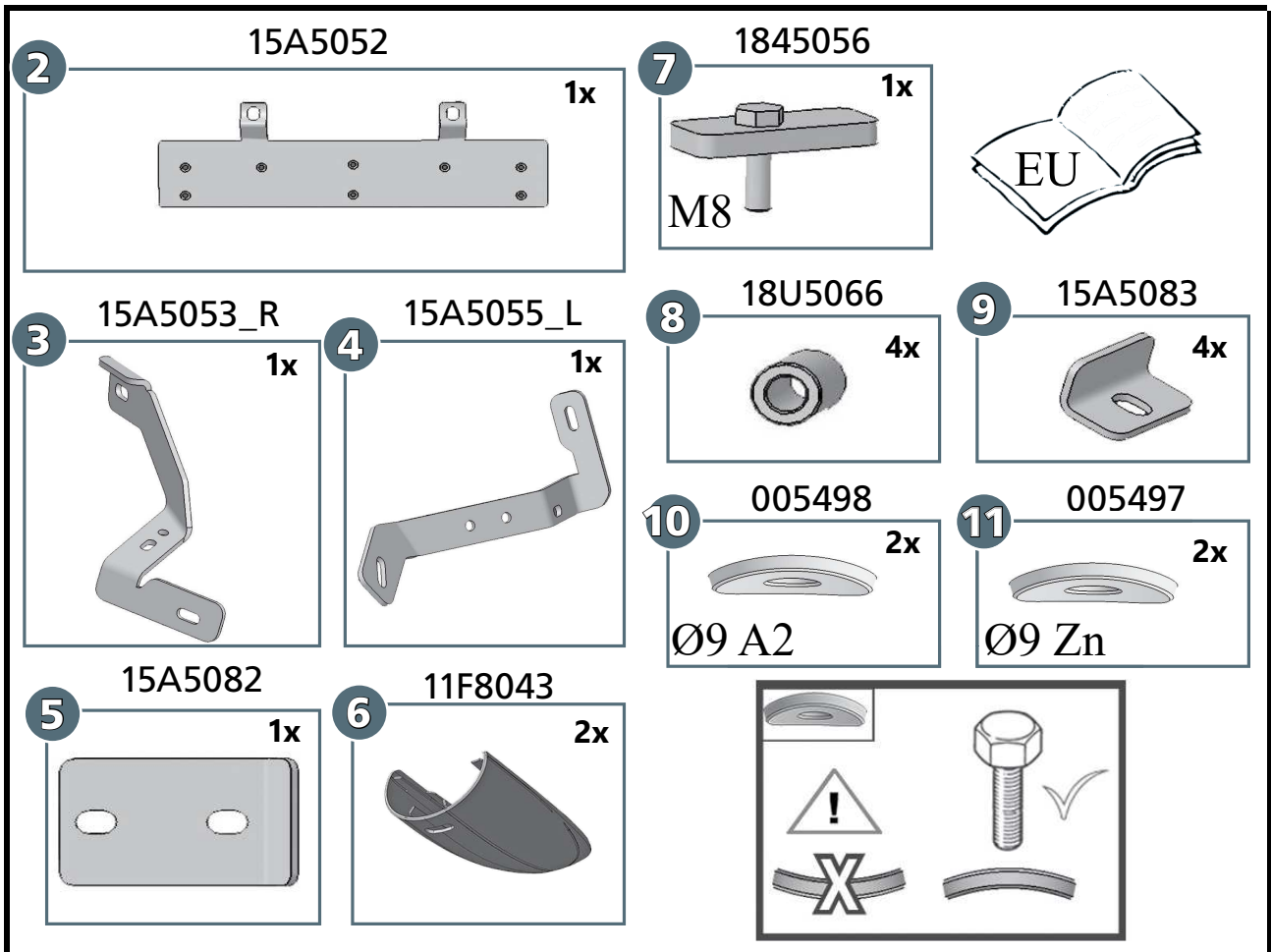
15A4313 inox

15A4313S inox black

Revision 8: 12.11.2018



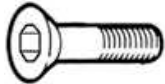

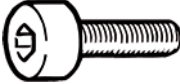
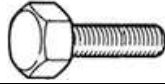
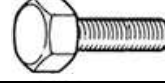










mounting kit: 15A9313

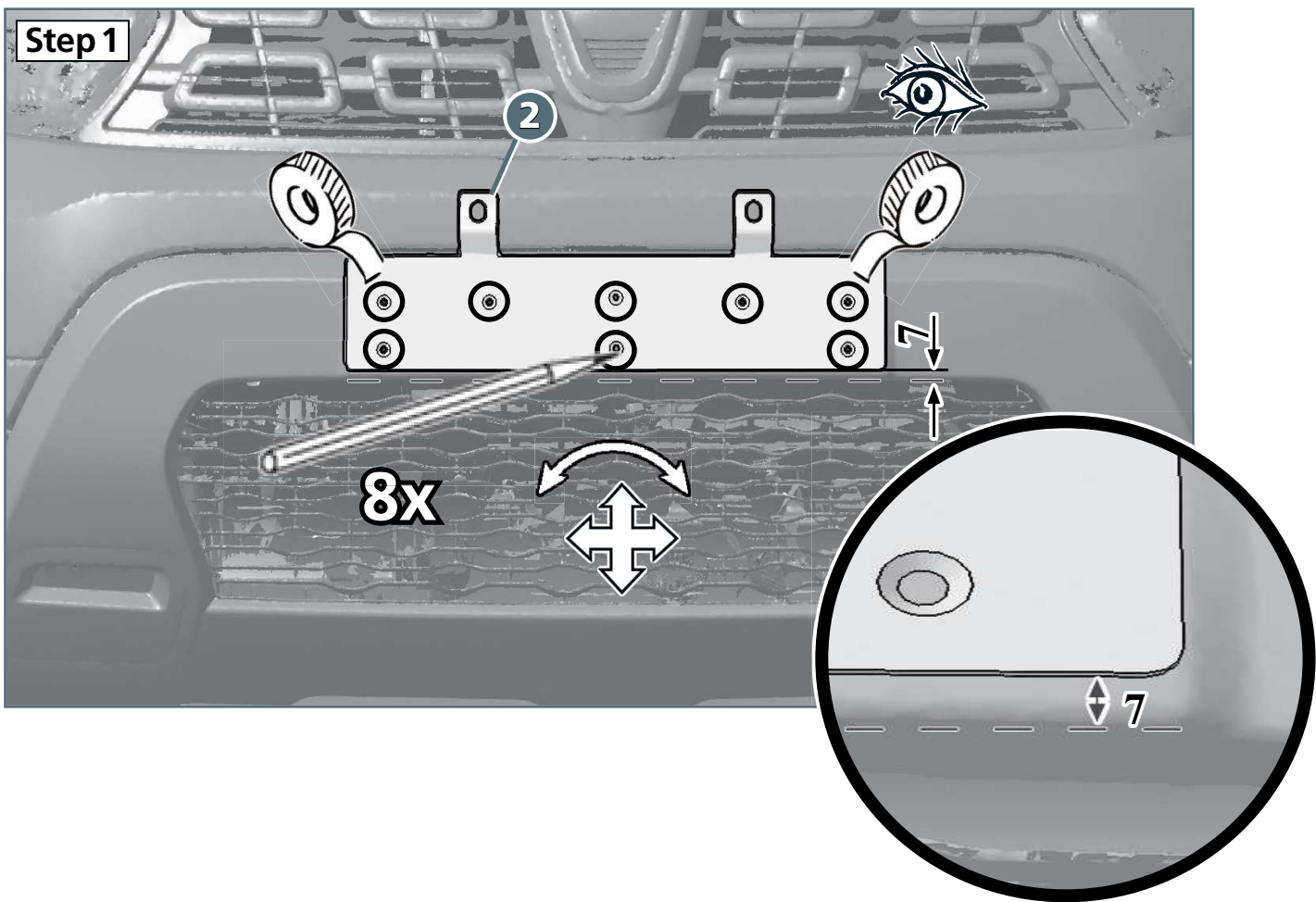
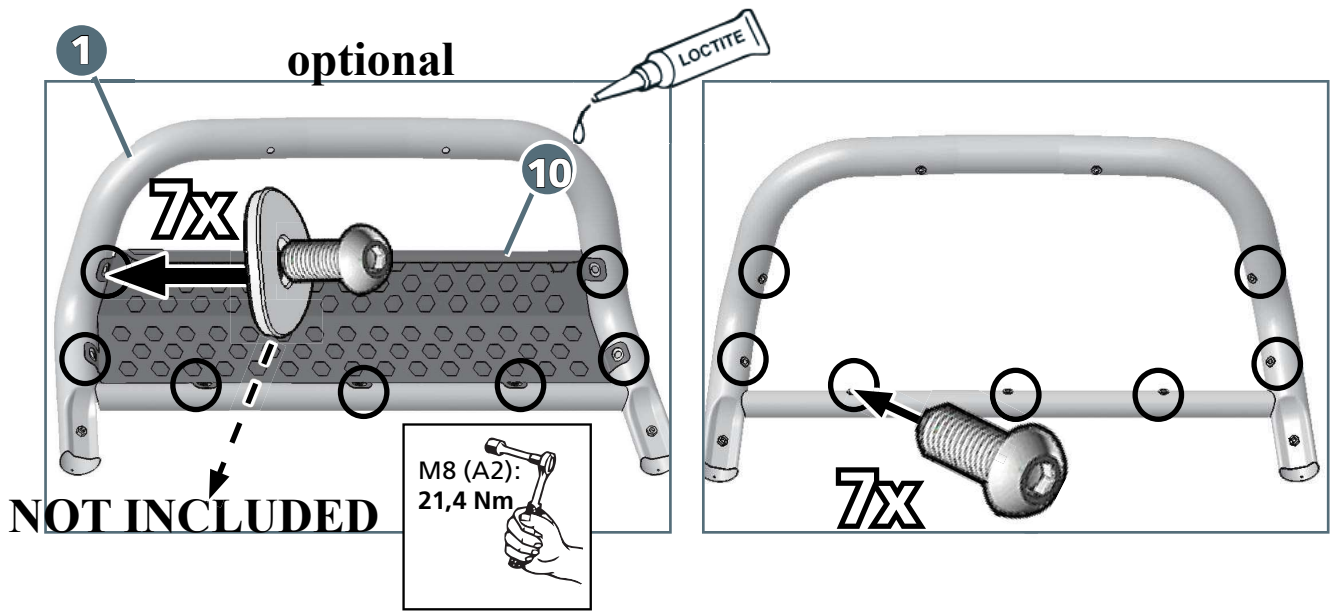


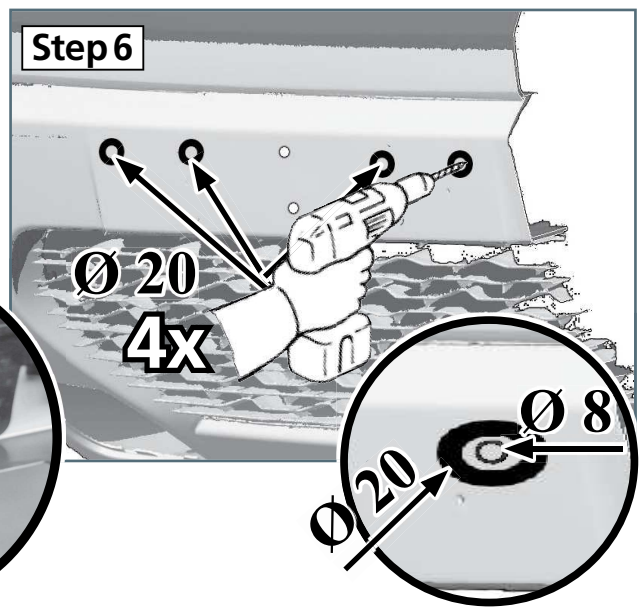
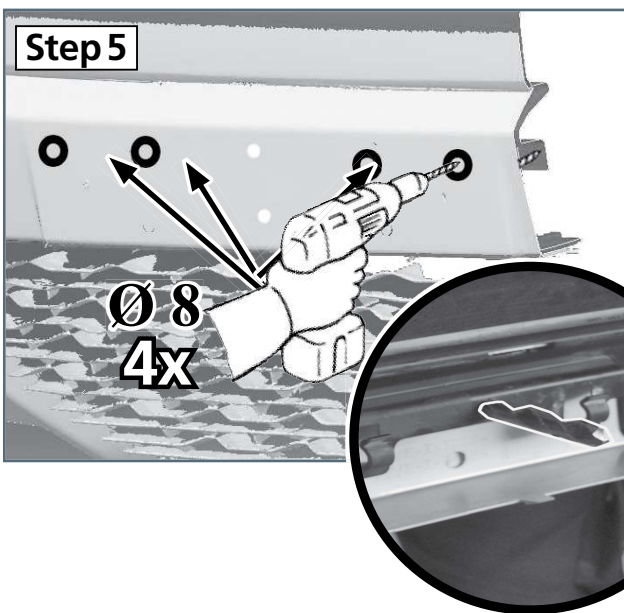
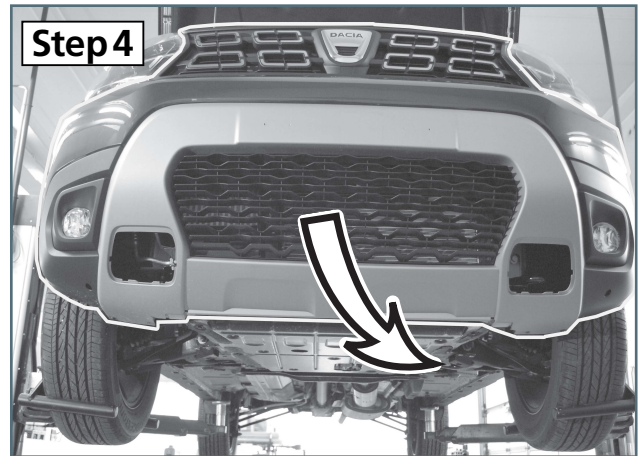
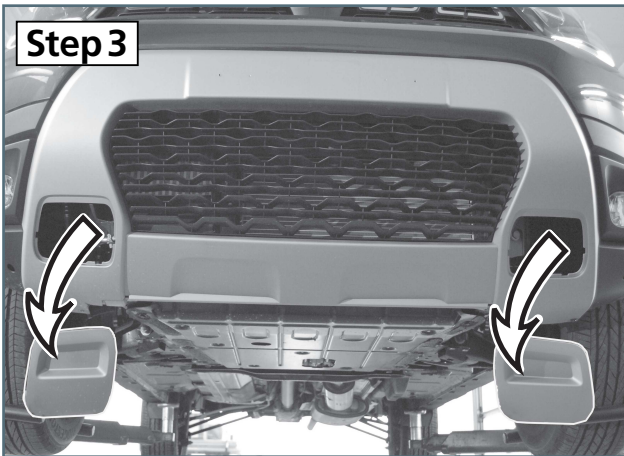
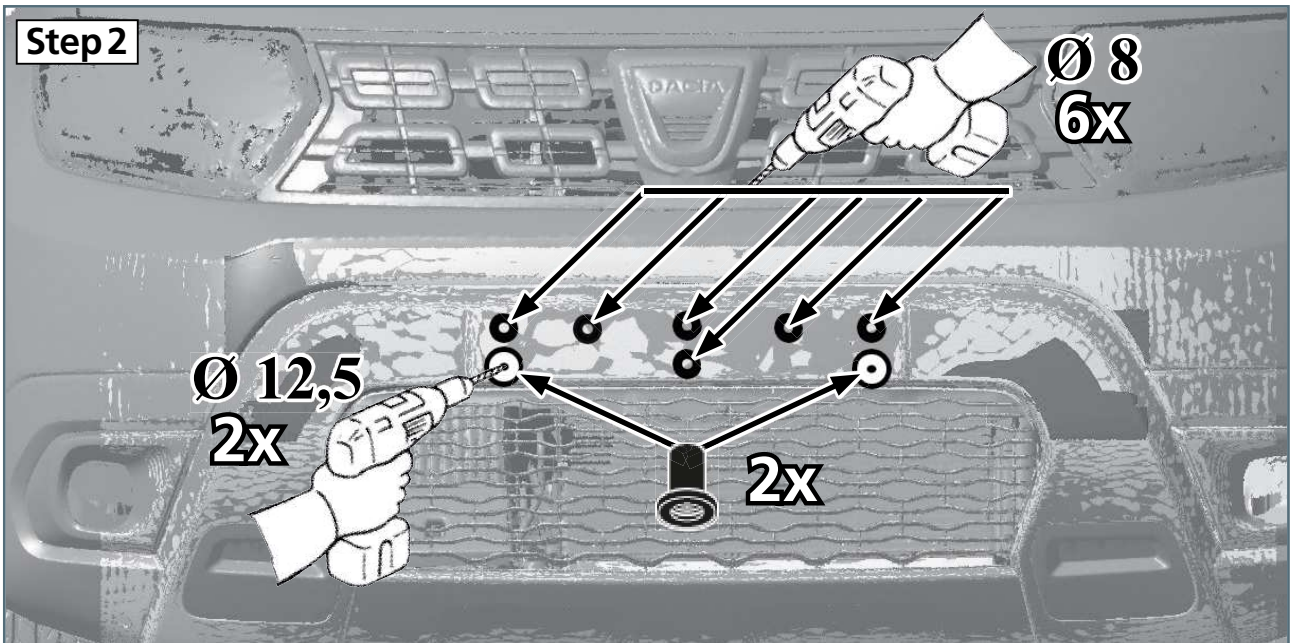
article no.:
15A4313 (S) inox
15A5313 black steel

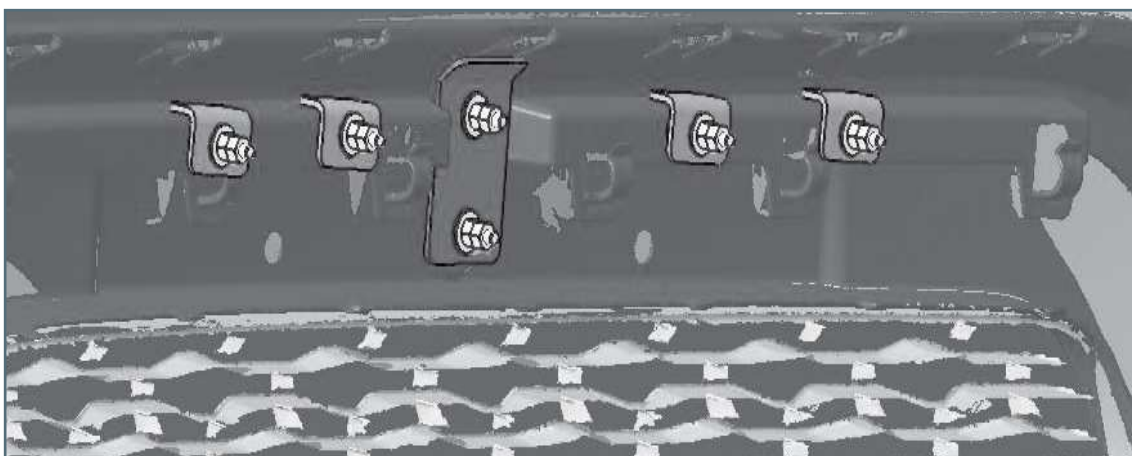
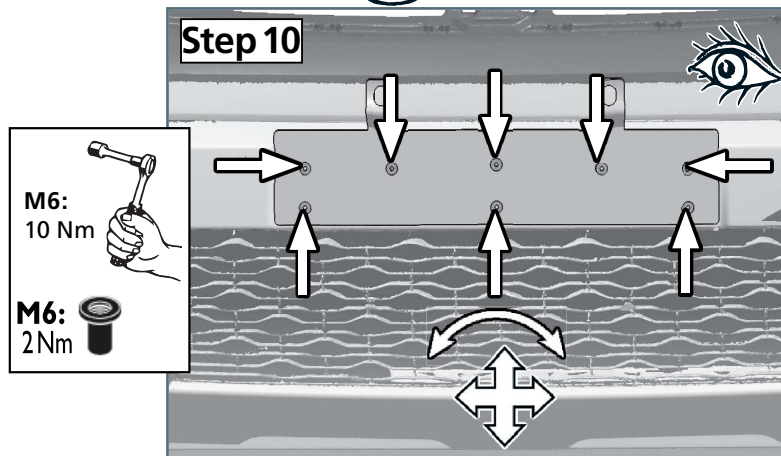
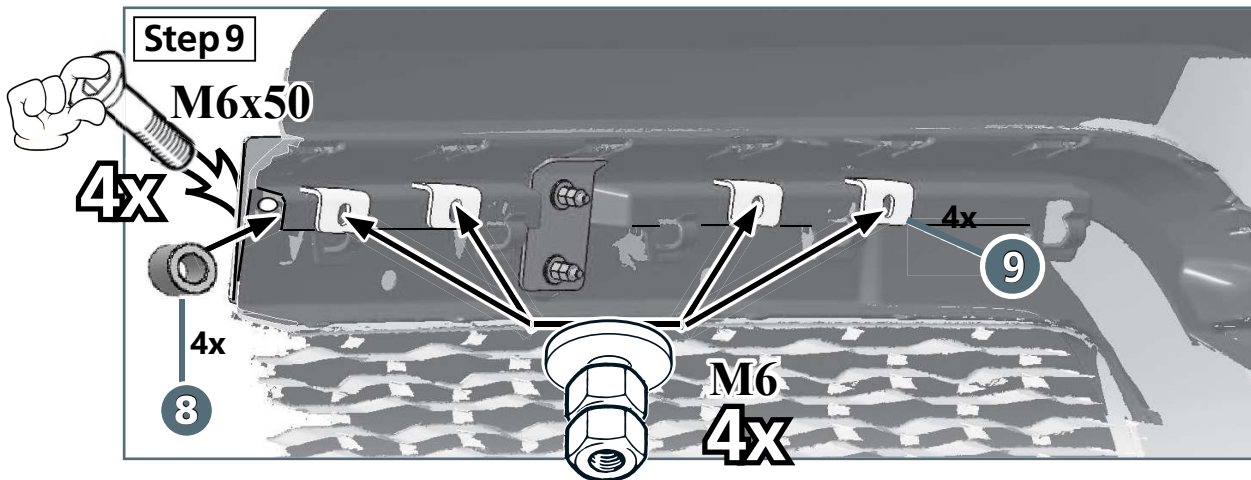
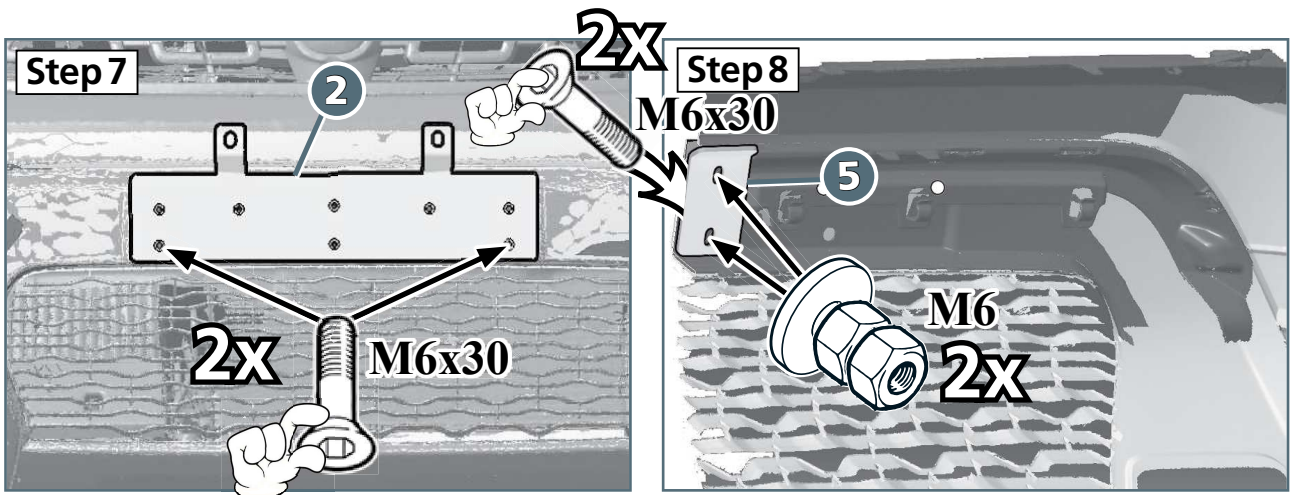
Revision 8: 12.11.2018

mounting kit: 15A9313

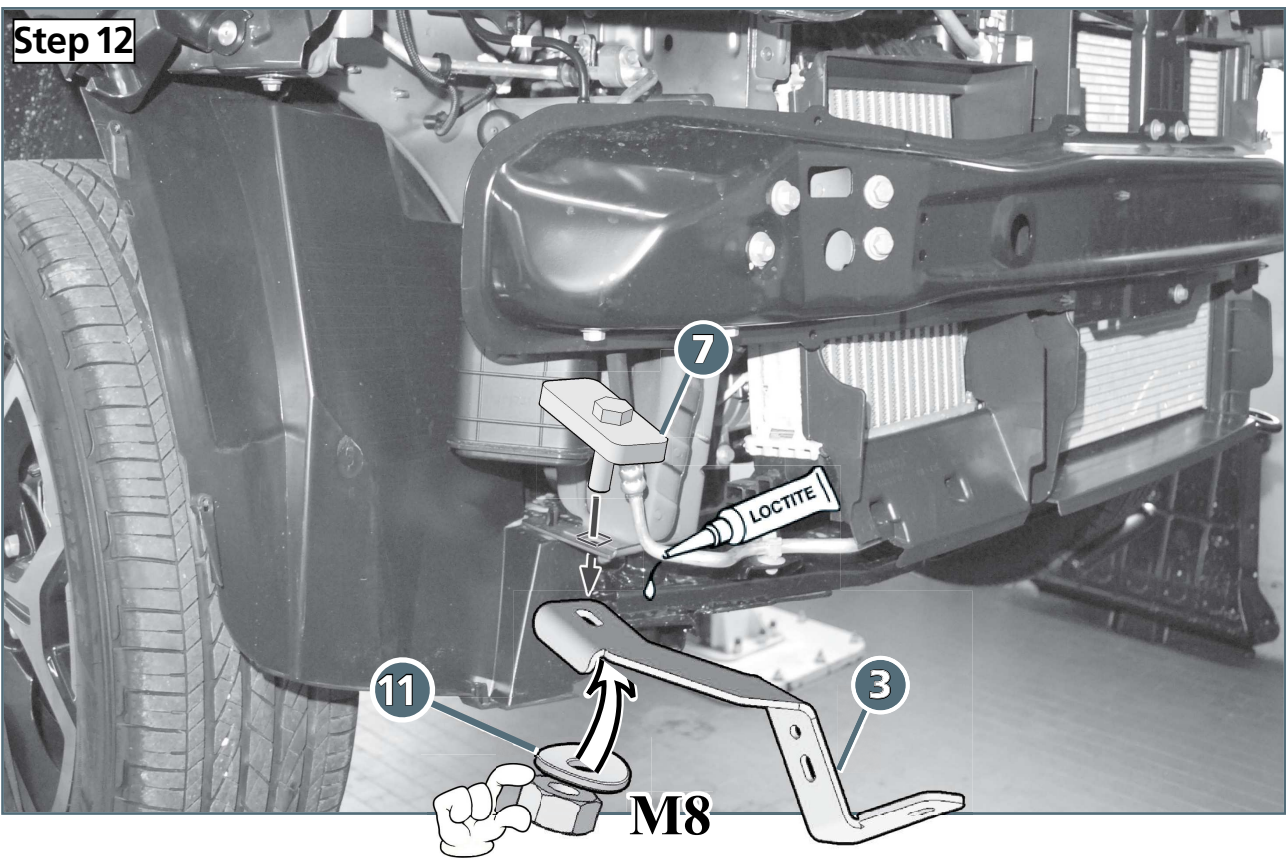
	M6x30; DIN 7991 Zn	4x
	M6x50; DIN 7991 Zn	4x
	M8x20; DIN 912 A2	2x
	M8x25; DIN 933 Zn	1x
	M8x25; DIN 933 A2	2x
	M8x25; ISO 7380 A2	7x
	Bundschraube Ø3,5x13 (DIN ähnl.7981B) A2	2x
	M6; DIN 934 Zn	12x
	M8; DIN 934 Zn	1x
	Ø 4,2; DIN 9021 A2	2x
	Ø 6,4; DIN 9021 Zn	6x
	Ø 8,4; DIN 125 A2	2x
	Getowell M6	2x
	Moss-Stopfen Ø20 Art.Nr.15161	2x
	SW 13	2x







Step 12



Step 13

