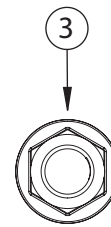
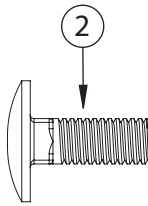
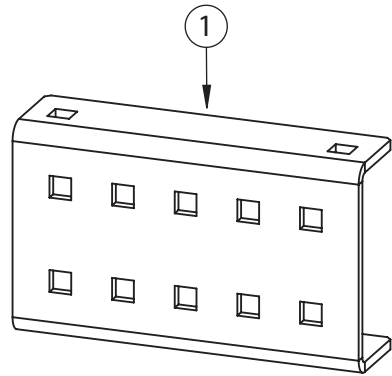


# VGREB

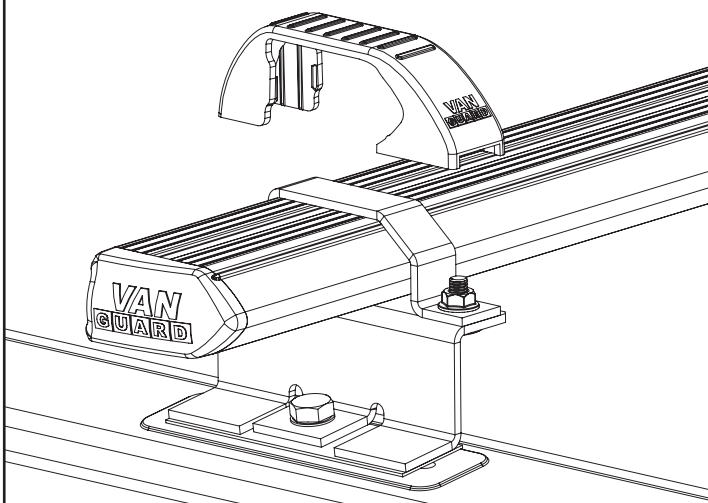
## Roof bar extension brackets (63mm)

### SUPPLIED COMPONENTS

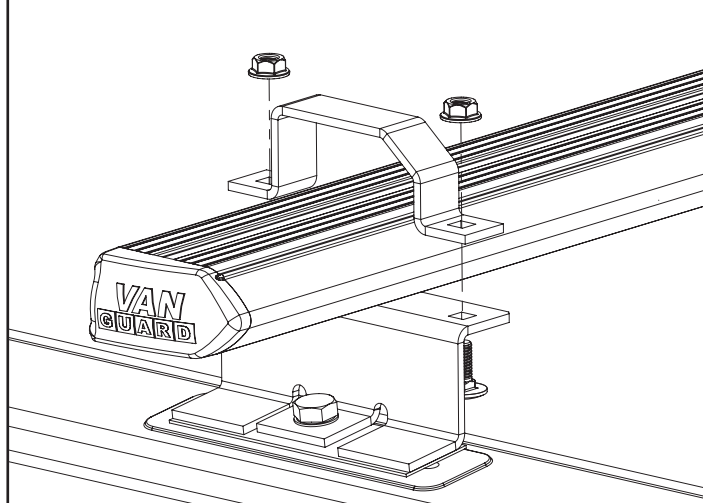


#	DESCRIPTION	QTY	QTY	QTY
		2 BAR	3 BAR	4 BAR
1	ROOF EXTENSION BRACKET	4	6	8
2	M6x16 COACH BOLT	8	12	16
3	M6 SERRATED NUT	8	12	16

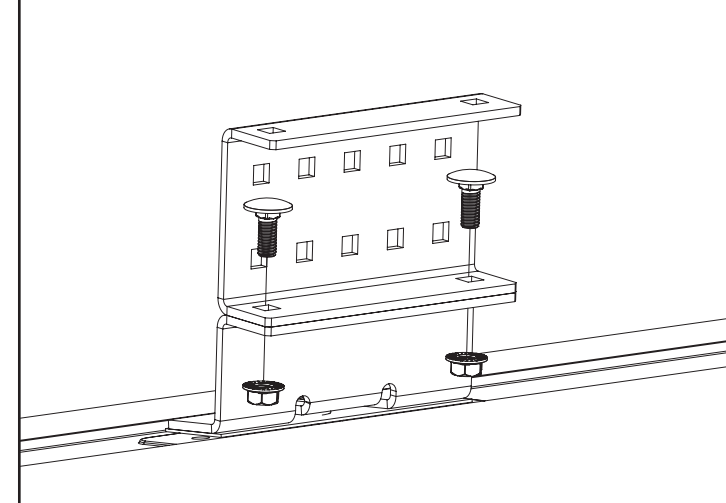
**1** Remove top hat covers from the roof bars using a lever to unclick the back and front.



**2** Remove roof bars leaving only the existing roof brackets fixed to the vehicle.



**3** Secure the roof extension brackets onto the existing roof brackets using M6x16 coach bolts & M6 serrated nuts.

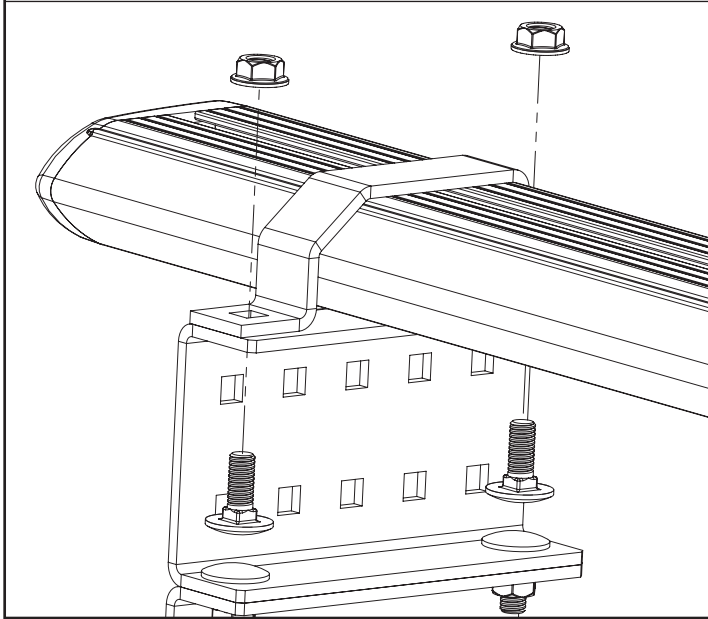


TOOLS REQUIRED: 10mm SPANNER / RATCHET, LEVER

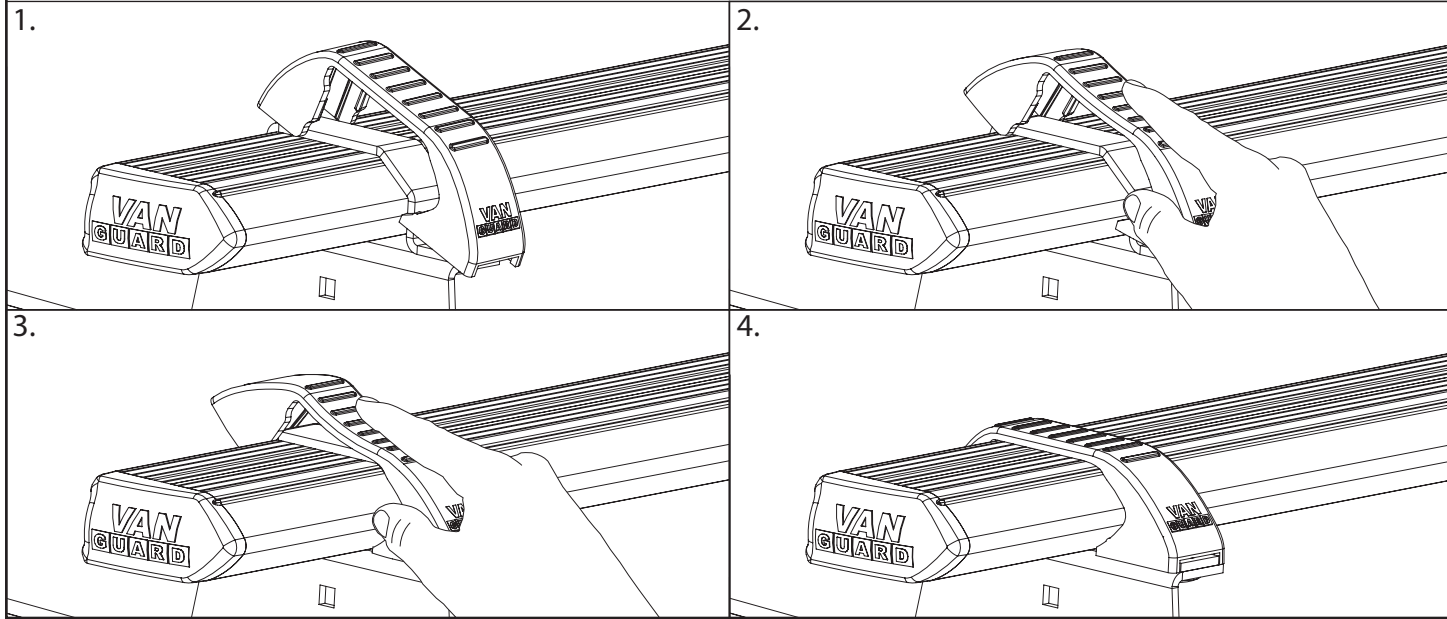
This FITTING INSTRUCTION is the property of VAN GUARD ACCESSORIES LTD. and must not be used for manufacturing purposes, copied nor communicated in any way to third parties without written permission from VAN GUARD ACCESSORIES LTD.  
VGREB - IW - 03/05/13

Van Guard Accessories Ltd  
Fair Oak Close, Exeter Airport Business Park,  
Exeter, Devon, EX5 2UL  
www.van-guard.co.uk

**4** Secure roof bars onto the extension brackets using top hat brackets, M6x16 coach bolts & M6 serrated nuts.



**5** Flex the top hat covers over the top hat brackets into position as shown below. Ensure that the covers click into the front and rear of the top hat brackets.



**6** Once in position tighten all fixings to 8Nm. Periodically check all fixings.



**TIGHTEN TO 8Nm**

**NOTES:**  
Maximum load is 55kg per bar. Please check that the vehicle manufacturers load bearing capacity for the roof is not exceeded. (Refer to the vehicle handbook)  
Periodically check all fixings.  
Retain these instructions for future reference.

# VAN GUARD