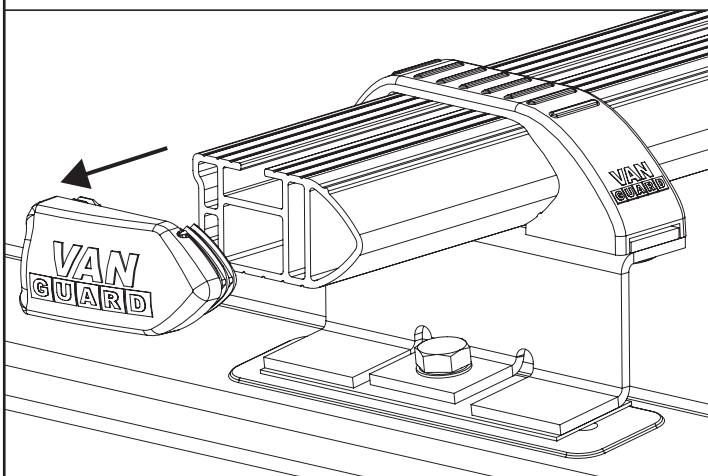


VGBB-1 Beacon Bracket

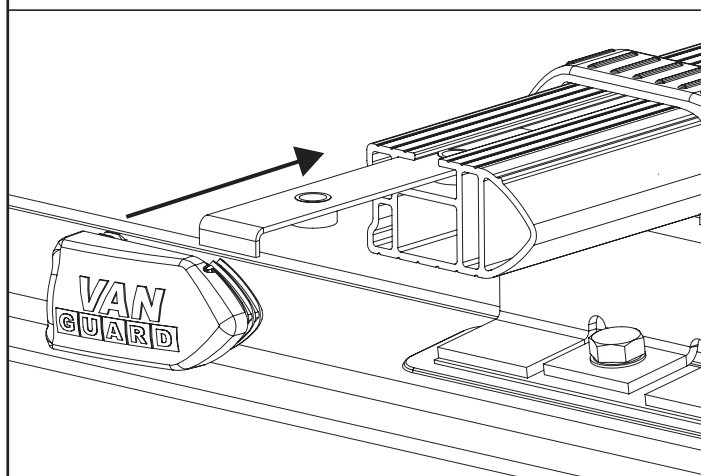
SUPPLIED COMPONENTS

	#	DESCRIPTION	QTY
	1	BEACON BRACKET	1
	2	RAIL PLATE	1
	3	ROOF BAR END BUNG	1
	4	M6x12 HEX BOLT	2
	5	M6 SHAKEPROOF	2

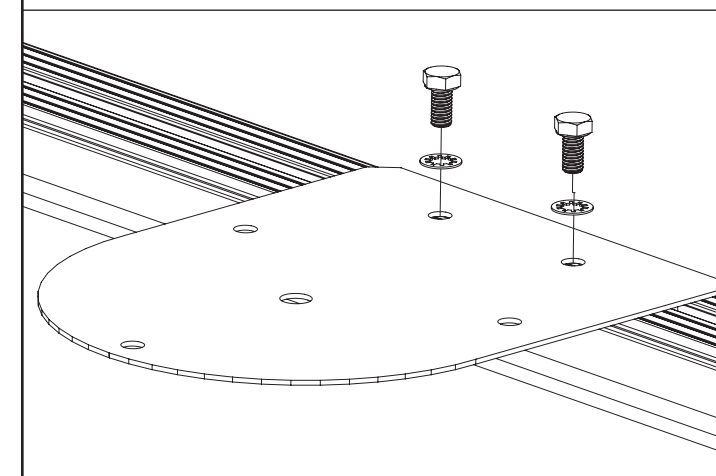
1 Remove and discard one end bung from the roof bar you wish to place the bracket on.



2 Slide the rail plate into t-slot of the roof bar and fit the newly supplied end bung.



3 Secure the beacon bracket to the rail plate in the roof bar using M6x12 hex bolts & M6 shakeproofs. **Tighten fixings to 8Nm, periodically check all fixings.**



TOOLS REQUIRED: 10mm SPANNER / RATCHET

This FITTING INSTRUCTION is the property of VAN GUARD ACCESSORIES LTD. and must not be used for manufacturing purposes, copied nor communicated in any way to third parties without written permission from VAN GUARD ACCESSORIES LTD.

VGBB-1 - IW - 03/05/13

Van Guard Accessories Ltd
 Fair Oak Close, Exeter Airport Business Park,
 Exeter, Devon, EX5 2UL
www.van-guard.co.uk