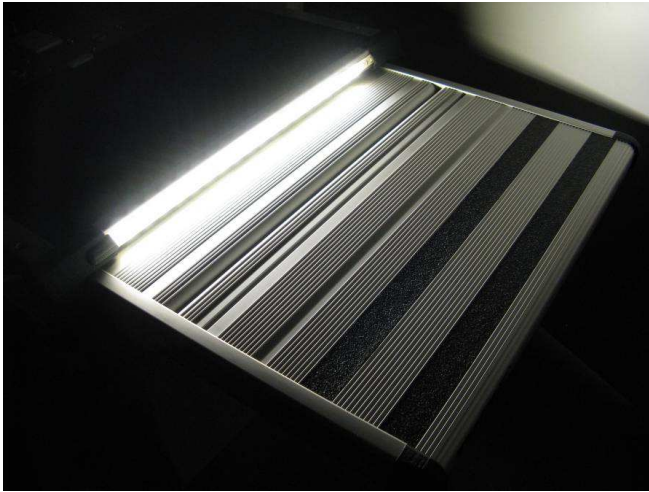


Product name: **Thule Slide-out step V16 Ducato**

08-2016

Picture:



USP's:

- Smart and stable installation on a Ducato van with more ground clearance
- Easy manual stow operation without tools in case of power failure
- Reduced weight : up to 25%
- Nice visual finish in line with the contemporary van design
- Conformity with EC Norm 74/485/EEG : no sharp edges at front side
- Fits with the new Euro 6 motor (reduced built-in space)

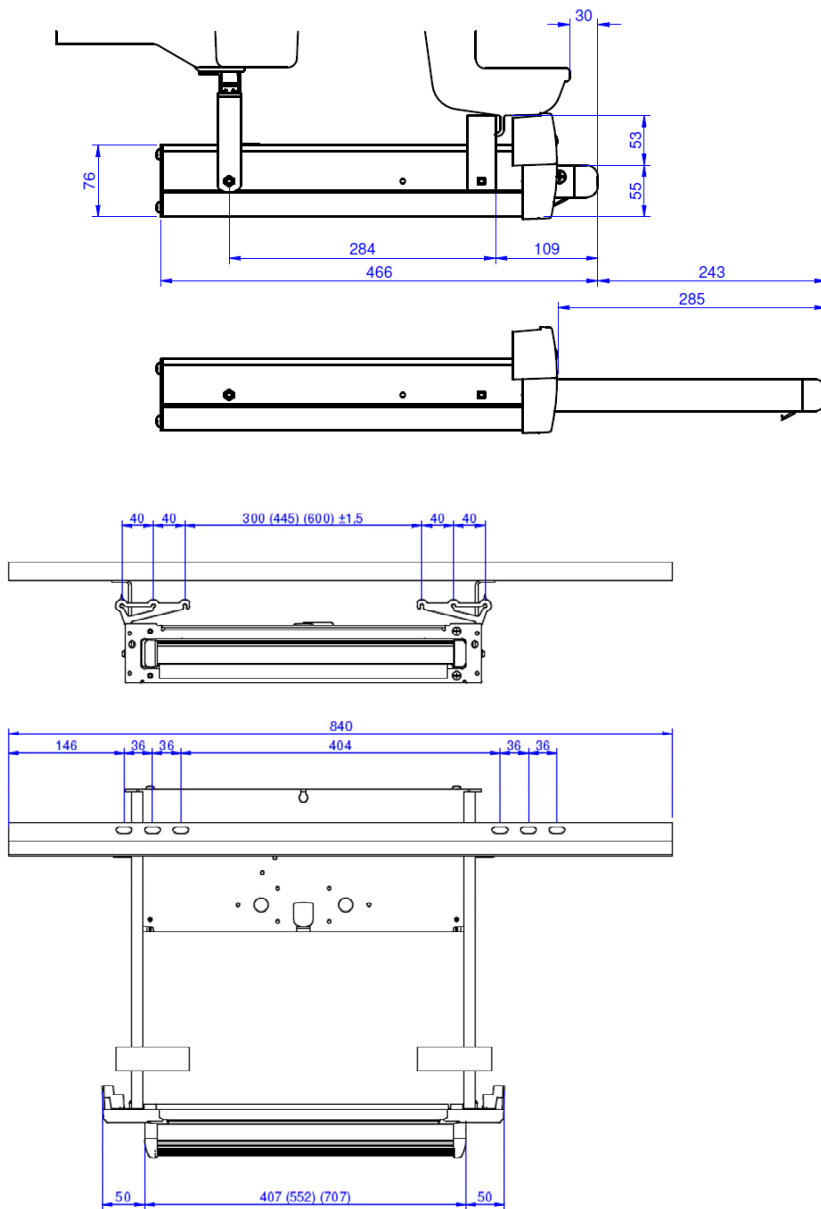
Specs:

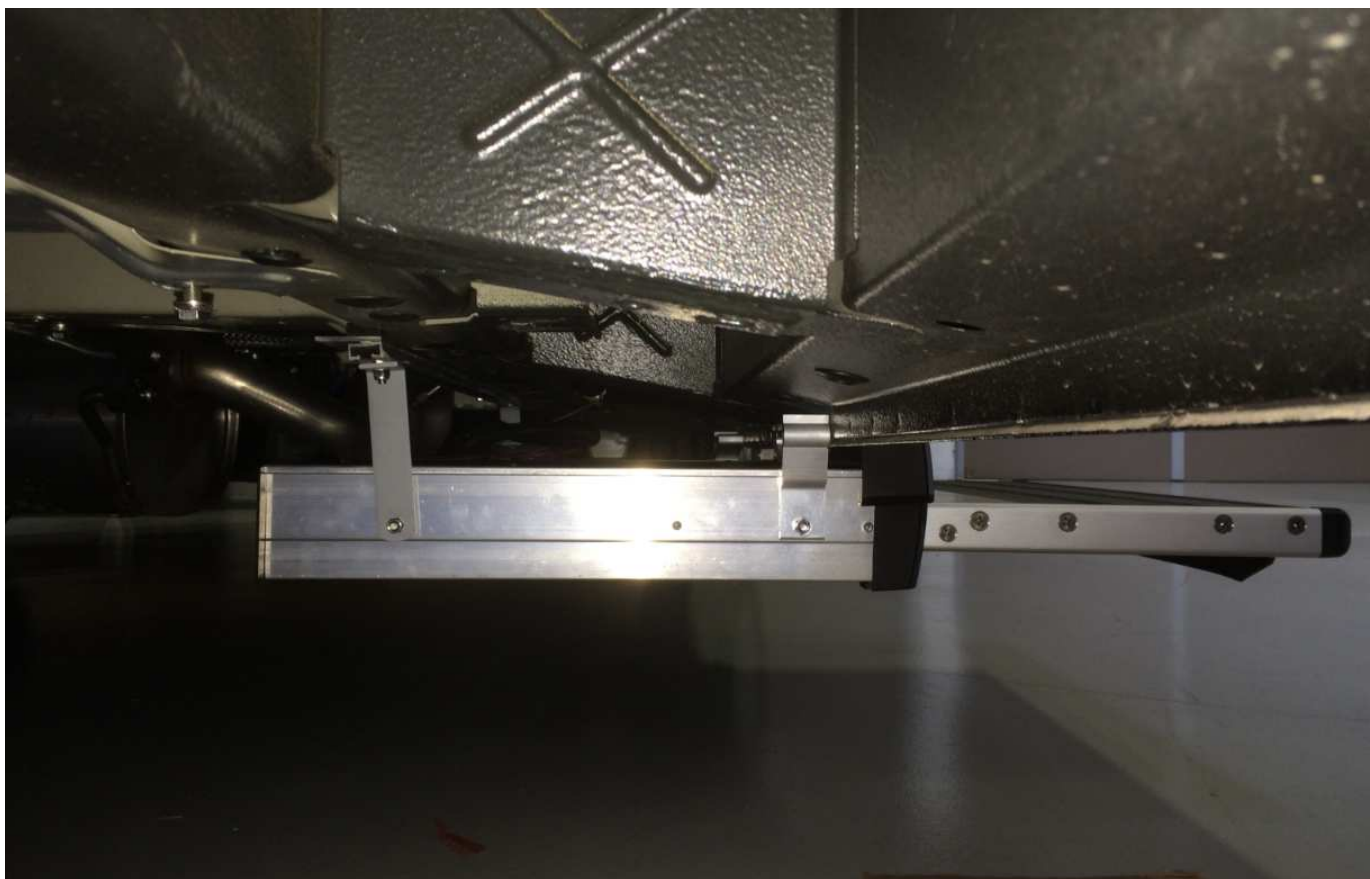
- High performing sliding RV step
- Quality parts with proven reliability
 - Bosch motor
 - Synchronous motor mechanism (patent protection)
- Load capacity exceeds by far the European norm 2001/85/EG (RV EN1646-1 and EN1645-1)
- Service-friendly :
 - Easy maintenance
 - Double protected security switch
 - Better protection for dust infiltration : integrated brushes
- Load security : Step does not operate with more than 15kg load
- Anti-slip security with 3M Safety walk
- Different widths available : 400mm – 550mm – 700mm
- Integration of optional LED strip

Article numbers / Variants:

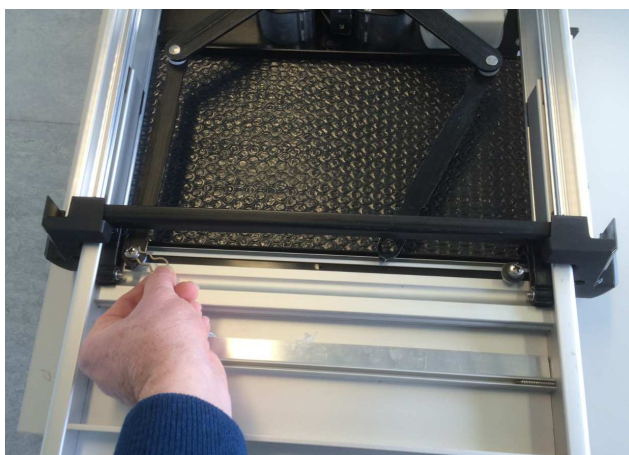
301430	Slide-Out Step Ducato Euro6 V16 12V 400 *		Single packed with switch
301431	Slide-Out Step Ducato Euro6 V16 12V 550 *		Single packed with switch
301432	Slide-Out Step Ducato Euro6 V16 12V 700 *		Single packed with switch
301433	Installation Set Ducato Euro6 Slide-Out V16 *		Single packed for 12V700
301400	Thule Slide-out Step V16 12V400 Ducato OP	7.210kg	On pallet (20Pcs) without switch Including Installation Set Ducato
301401	Thule Slide-out Step V16 12V550 Ducato OP	7.860kg	On pallet (20Pcs) without switch Including Installation Set Ducato
301402	Thule Slide-out Step V16 12V700 Ducato OP	11.600kg	On pallet (20Pcs) without switch Including Installation Set Ducato

Dimensions / Drawings / Details:

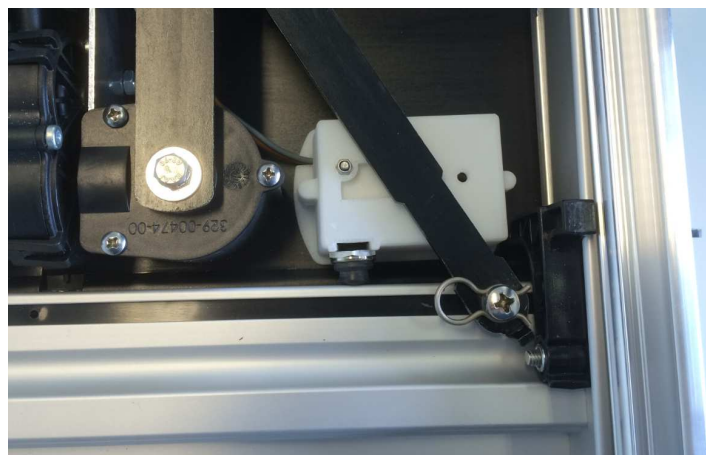


Smart and stable installation on a Ducato van with more ground clearance

**Easy manual stow operation without tools
in case of power failure**



Double protected security switch



***New items available from: Oct. 2016**

Price: See price list