



New



Thule Elite Van XT - Black Rear door-mounted bike rack

Lightweight bike rack with premium performance.

USPs

- New and stylish design in black
- Quick and easy installation without drilling in the door
- Perfect finish

Specifications

1. Safe transportation of 2 bikes up to 35kg in total.
2. Suitable for rear doors of Ducato, Jumper and Boxer from 2007 onwards.
3. New design completely in black - perfect for vans with a sporty and off-road look.
4. Bike rack is glued and clamped on the rear door and requires no drilling.
5. Platform is adjustable in 3 height positions.
6. Rubber sealing strips create a perfect finish, even when the bike rack is taken off.
7. Bike wheels are secured with straps with pump buckle tensioning system.
8. Adjustable soft-touch bike holders to hold your bikes in position - optional locks available.
9. 20cm distance between the rails enables an easier load of the bikes.
10. Doors of the van can be opened with bikes on the rack.
11. Smart connections from bike rack to mounting rails - easy to unhook and take the bike rack off when not in use.

REF.

Thule Elite Van XT Black - 302013
Thule Elite Van XT Standard - 307340

NUMBER OF BIKES

2, not extendable

MAX. LOADING WEIGHT

35kg

MAX. BIKE WEIGHT

19kg

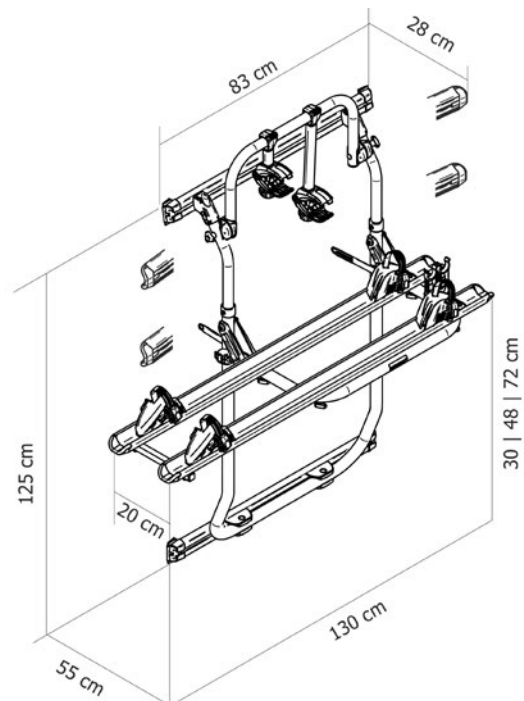
FOR E-BIKES

No

WEIGHT

10.5kg

PRODUCT DIMENSIONS



AVAILABLE FROM
September 2017