

RV ACCESSORIES - SPARE PARTS



Valid from 01-02-2020
Valable à partir du 01-02-2020
Geldig vanaf 01-02-2020
Gültig ab 01-02-2020

Spare Parts List 2020

Thule NV
Kortrijkstraat 343
BE-8930 Menen
Belgium

Phone +32 56 52 88 99
Fax +32 56 51 02 05
www.thule.com
infoRV@thule.com

V.01
17/01/2020

2020 SPARE PARTS LIST

Index



| AWNINGS | Type | Model | Page |
|----------------------------|--------------|-----------------------------------|------|
| Current | All | Awning common parts | 4 |
| | Wall awnings | Thule Omnistor 1200 | 6 |
| | | Thule 3200 | 8 |
| | | Thule Omnistor 4900 | 10 |
| | | Thule Omnistor 5102 | 12 |
| | | Thule Omnistor 5200 | 13 |
| | | Thule Omnistor 8000 | 17 |
| | Roof awnings | Thule Omnistor 6200 | 21 |
| | | Thule Omnistor 6300 | 25 |
| | | Thule Omnistor 9200 | 28 |
| Specials | | Thule Omnistor 6200 Eriba Touring | 33 |
| | | VW California | 35 |
| Phased-out | Wall awnings | Thule Omnistor Caravan Style | 36 |
| | | Thule Omnistor W150 | 37 |
| | | Thule Omnistor 5003 | 38 |
| | | Tristor ² | 41 |
| | | Thule Omnistor 2000 | 31 |
| | Roof awnings | Thule Omnistor 6002 | 43 |
| Thule Omnistor 6502 & 6900 | | 46 | |

| TENTS | Type | Model | Page |
|------------|-------------------|------------|------|
| Current | Residence | all models | 48 |
| | Panorama | all models | 48 |
| | Veduta | all models | 48 |
| | QuickFit | all models | 51 |
| | EasyLink | all models | 51 |
| | Blocker G2 | all models | 52 |
| | Windscreen | | 54 |
| | Tension Rafter G2 | all models | 55 |
| Phased-out | Room & RBS | all models | 56 |
| | Safari Style | all models | 58 |

| BIKE CARRIERS | Type | Model | Page |
|---------------|-----------------|---|-----------|
| Current | Rear mounted | Excellent - common parts | 59 |
| | | Excellent (Black) long version | 59 |
| | | Excellent short version | 59 |
| | | Elite G2 - common parts | 61 |
| | | Elite G2 long version | 63 |
| | | Elite G2 short version | 63 |
| | | Elite G2 HH | 63 |
| | | Elite G2 One Bike | 63 |
| | | Sport G2 - common parts | 61 |
| | | Sport G2 long version | 64 |
| | | Sport G2 short version | 64 |
| | | Sport G2 W150 / Hobby | 64 |
| | | Sport G2 Tour | 65 |
| | | Sport G2 Universal | 65 |
| | | Essential - common parts | 66 |
| | | Essential long version | 66 |
| | | Essential short version | 66 |
| | | Esse4 long version | 67 |
| | | Esse4 short version | 67 |
| | | Esse4 Tripel | 67 |
| | | Esse4 Tripel Black | 67 |
| | | Garage | VeloSlide |
| | VeloSlide Short | | 68 |
| | Sport G2 garage | | 69 |
| | Van | Elite Van XT (Black) (Ducato Jumper Boxer > '07 & Crafter > '17) | 70 |
| | | Sport G2 Compact | 71 |
| | A-frame | Caravan Light | 72 |
| | | Caravan Smart | 72 |
| | | Caravan Smart Eriba Touring | 72 |
| | | Caravan Superb | 73 |

2020 SPARE PARTS LIST

Index



| | | | |
|------------|--------------------------|--|----|
| Current | A-frame | Caravan Superb short version | 73 |
| | | Caravan Superb XT Black long version | 74 |
| | | Caravan Superb XT Black short version | 74 |
| | Lift | Lift V16 Manual | 75 |
| | | Lift V16 12V | 75 |
| Phased-out | Rear mounted | Elite - common parts | 76 |
| | | Elite long version | 78 |
| | | Elite short version | 78 |
| | | Sport - common parts | 76 |
| | | Sport long version | 79 |
| | | Sport short version | 79 |
| | | Sport W150 | 79 |
| | | Sport Hobby | 79 |
| | | Sport Caravan Tour | 80 |
| | | Sport Caravan Universal | 80 |
| | Elite Eura Cargo 3 bikes | 81 | |
| | Garage | Sport Garage | 82 |
| | Van | Elite G2 VAN (Ducato - Jumper - Boxer >2007) | 83 |
| | | Sport G2 VAN (Ducato - Jumper - Boxer <2007) | 83 |
| | | Sport G2 2 Doors | 69 |
| | | Sport Ducato - Jumper - Boxer <2007 | 84 |
| | | Sport Ducato - Jumper - Boxer >2007 | 84 |
| | A-frame | Sport 2 Doors | 82 |
| | | Sport Caravan | 85 |
| | | Sport Caravan Comfort | 85 |
| Lift | Sport Caravan Special | 85 | |
| | Lift Manual | 86 | |
| | Lift 12V | 86 | |

| STEPS | Type | Model | Page |
|-----------------------|-----------|---|------|
| Current | All | Step common parts | 87 |
| | Motorised | Single step V10 / V15 | 88 |
| | | Double step | 90 |
| | | Slide-out step V12 | 92 |
| | | Slide-out step V18 | 93 |
| | Manual | Single step manual V10 | 88 |
| Slide-out step manual | | 95 | |
| Specials | Motorized | Single step V15 Hymer | 96 |
| | | Double step with Skirt | 97 |
| | | Double step with Skirt 2015 | 98 |
| | | Slide-out step V16 Ducato | 99 |
| | | Slide-out step V19 Ducato Jumper Boxer Euro6 d-Temp | 100 |
| | | Slide-out step V19 Crafter Euro6 d-Temp | 101 |
| | | Slide-out step V19 Crafter 4WD Euro6 d-Temp | 102 |
| Phased-out | Motorized | Slide-out step | 103 |
| | | Single step V02 | 104 |
| | | Slide-out Lift | 105 |
| | Manual | Single step manual 47 | 106 |
| | | Single step manual V02 | 107 |

| OTHER | | Page |
|-------|-----------------------|------|
| | Rooflights Thule Vent | 108 |
| | Ladders and Roofrails | 109 |
| | Ladder fixation kit | 110 |
| | ProBar Flex | 111 |
| | Smartclamp System | 112 |
| | Boxes | 113 |
| | Locks | 114 |
| | Levelers | 115 |

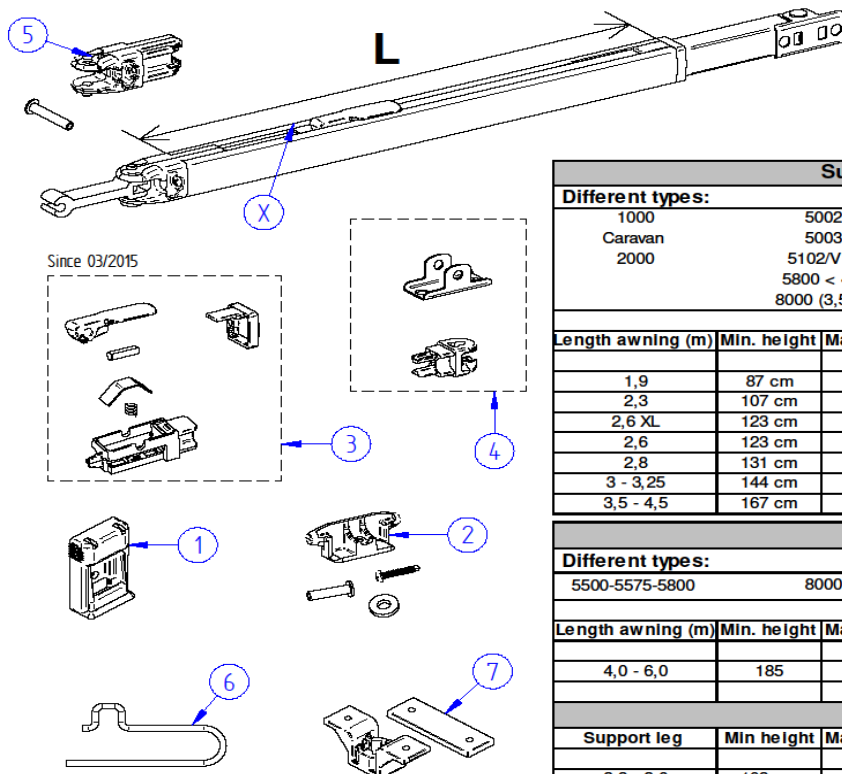
2020 SPARE PARTS LIST

Awning common parts

THULE
SWEDEN

STA600

THULE
SWEDEN



| Support arm light >2009 | | | | | | |
|-------------------------|-------------|------------------|-------------------|---------|---------|------------|
| Different types: | | | | | | |
| 1000 | 5002 | 6002 | OmniV10 | | | |
| Caravan | 5003 | 6002 Car & style | OmniV10 XL | | | |
| 2000 | 5102/VW | 6802 < 4m | OmniSol | | | |
| | 5800 < 4m | 6002 Hobby | 600K | | | |
| | 8000 (3,5m) | 6200 | 600K-TL | | | |
| General rule | | | | | | |
| Length awning (m) | Min. height | Max. height | L = outer profile | 3 parts | 2 parts | Movex |
| 1,9 | 87 cm | 177 cm | 68 cm | X | | 1500601588 |
| 2,3 | 107 cm | 217 cm | 88 cm | X | | 1500601609 |
| 2,6 XL | 123 cm | 276 cm | 103 cm | X | | 1500601960 |
| 2,6 | 123 cm | 208 cm | 103 cm | | X | 1500601610 |
| 2,8 | 131 cm | 225 cm | 111 cm | | X | 1500601961 |
| 3 - 3,25 | 144 cm | 248 cm | 123 cm | | X | 1500601611 |
| 3,5 - 4,5 | 167 cm | 296 cm | 147 cm | | X | 1500601612 |
| Support arm heavy | | | | | | |
| Different types: | | | | | | |
| 5500-5575-5800 | 8000 | 6502-6802-6900 | 6002 Jet | 9200 | | |
| General rule | | | | | | |
| Length awning (m) | Min. height | Max. height | L = outer profile | 2 parts | Movex | |
| 4,0 - 6,0 | 185 | 332 | 165 cm | X | | 1500601312 |
| Caravan Style | | | | | | |
| Support leg | Min height | Max. height | L = outer profile | 3 parts | 2 parts | Movex |
| 2,3 - 2,6 | 103 cm | 228 cm | 84 cm | X | | 1500602182 |
| 3,0 - 4,5 | 140 cm | 241 cm | 119 cm | | X | 1500602183 |

THULE Omnistor General pieces 1

STA 600-03

Support legs of the 1200, 3200, 5200 and 6300 awnings are special executions and specified on the individual awning page

| | ART.NR. | DESCRIPTION | |
|---|------------|--|--|
| 1 | 1500601212 | PLASTIC BOTT.MOUNT.BRACKET 2PCS | |
| | 1500602390 | BOTTOM MOUNTING BRACKET BLACK 2PC | |
| 2 | 1500601789 | CENTRAL CLAMP SUPPORT LEG V2 | |
| 3 | 1500601605 | ADJ.BALANCER ASSY SUPPORT LEG V2 (2 PCS) | |
| 4 | 1500601604 | FOOT + RIVET SUPPORT LEG V2 (2PCS) | |
| 5 | 1500601603 | FEMALE HINGE SUPPORT LEG V2 | |
| 6 | 1500602670 | WIRE SPRING SUPPORT LEG V2 - 2PC | |
| 7 | 1500603485 | CONNECTOR LEAD RAIL THIRD SUPPORT LEG | |
| X | 1500601588 | SUPPORT LEG V2 1.90M | |
| | 1500601609 | SUPPORT LEG V2 2.30M | |
| | 1500601960 | SUPPORT LEG V2 2.60M XL | |
| | 1500601611 | SUPPORT LEG V2 3.00M | |
| | 1500601612 | SUPPORT LEG V2 3.50-4.50M | |
| | 1500601312 | SUPPORT LEG V2 LARGE | |
| | 1500602182 | SUPPORT LEG CARAVAN STYLE 2,30/2,60 M | |
| | 1500602183 | SUPPORT LEG CARAVAN STYLE 3,00/4,50M | |

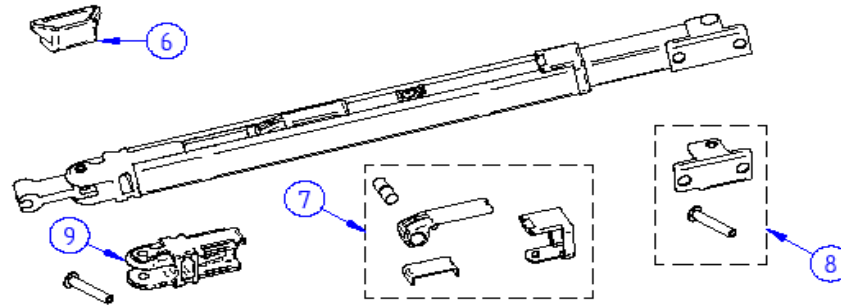
2020 SPARE PARTS LIST

Awning common Parts

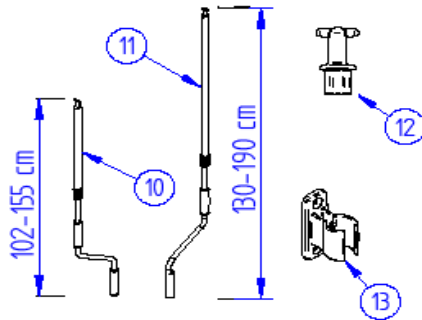
THULE
SWEDEN
STA601

Support leg < 2009

THULE



Handcranck



Coupling Funnel



THULE Omnistor General pieces 2

STA 601-00

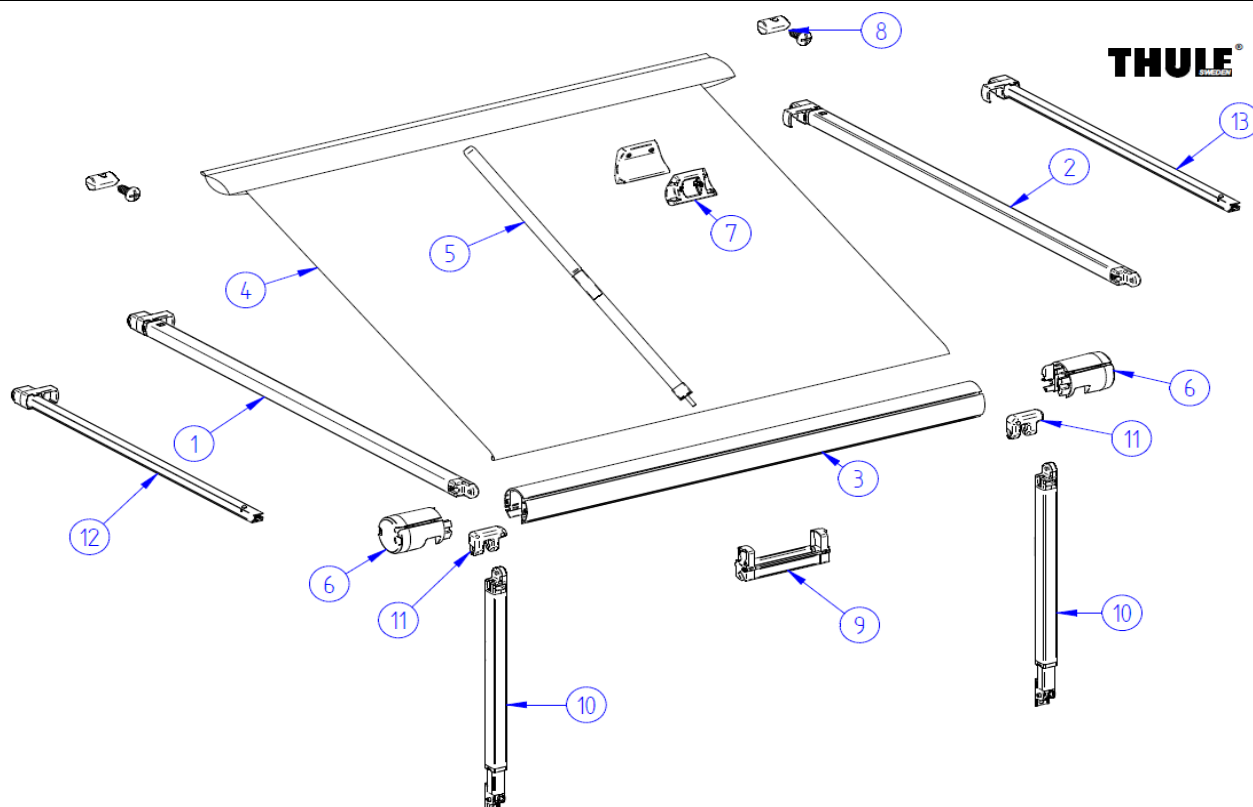
| | ART.NR. | DESCRIPTION | |
|----|------------|---------------------------------------|---------------|
| 6 | 1500601789 | CENTRAL CLAMP SUPPORT LEG | |
| 7 | 1500601150 | ADJ.BALANCER ASSY SUPPORT LEG (2 PCS) | |
| 8 | 1500601231 | FOOT + RIVET SUPPORT LEG (2PCS) | not available |
| 9 | 1500601278 | FEMALE HINGE SUPPORT LEG ASSY | |
| 10 | 1500602210 | HAND CRANK ASSY SHORT | |
| 11 | 1500600115 | HAND CRANK ASSY LONG | |
| 12 | 1500601279 | UPPER CRANK PIN | |
| 13 | 1500601222 | HAND CRANK CLIPS (2PCS) | |
| 14 | 1500601211 | COUPLING FUNNEL | |
| 15 | 1500602406 | THULE AWNING LOGO STICKER | |

2020 SPARE PARTS LIST

1200

THULE
SWEDEN

1BA601



THULE Omnistor 1200

1BA 601-01

| | ART.NR. | DESCRIPTION | |
|------------|---------------------------|---|---------------------------|
| 1 | 1500602900 | LH RAFTER ARM ASSY TO1200 - 2.30 M | |
| | 1500602901 | LH RAFTER ARM ASSY TO1200 - 2.60 M | |
| | 1500602902 | LH RAFTER ARM ASSY TO1200 - 3.00/3,25 M | |
| | 1500602903 | LH RAFTER ARM ASSY TO1200 - 3.50/5,50 M | |
| 2 | 1500602904 | RH RAFTER ARM ASSY TO1200 - 2.30 M | |
| | 1500602905 | RH RAFTER ARM ASSY TO1200 - 2.60 M | |
| | 1500602906 | RH RAFTER ARM ASSY TO1200 - 3.00/3,25 M | |
| | 1500602907 | RH RAFTER ARM ASSY TO1200 - 3.50/5,50 M | |
| 3 | 1500602908 | ROLLER TUBE TO 1200 - 2,30M | |
| | 1500602909 | ROLLER TUBE TO 1200 - 2.60M | |
| | 1500602910 | ROLLER TUBE TO 1200 - 3.00M | |
| | 1500602911 | ROLLER TUBE TO 1200 - 3.25M | |
| | 1500602912 | ROLLER TUBE TO 1200 - 3.50M | |
| | 1500602913 | ROLLER TUBE TO 1200 - 3.75M | |
| | 1500602914 | ROLLER TUBE TO 1200 - 4,00M | |
| | 1500602915 | ROLLER TUBE TO 1200 - 4.25M | |
| | 1500602916 | ROLLER TUBE TO 1200 - 4.50M | |
| | 1500602979 | ROLLER TUBE TO 1200 - 5,00M | |
| | 1500602980 | ROLLER TUBE TO 1200 - 5.50M | |
| | 4 | 1500602917 | FABRIC 2.30M TO 1200 - 31 |
| 1500602918 | | FABRIC 2.30M TO 1200 - 32 | |
| 1500602919 | | FABRIC 2.60M TO 1200 - 31 | |
| 1500602920 | | FABRIC 2.60M TO 1200 - 32 | |
| 1500602921 | | FABRIC 3,00M TO 1200 - 31 | |
| 1500602922 | | FABRIC 3,00M TO 1200 - 32 | |
| 1500602923 | | FABRIC 3,25M TO 1200 - 31 | |
| 1500602924 | | FABRIC 3,25M TO 1200 - 32 | |
| 1500602925 | | FABRIC 3,50M TO 1200 - 31 | |
| 1500602926 | FABRIC 3,50M TO 1200 - 32 | | |
| 1500602927 | FABRIC 3,75M TO 1200 - 31 | | |

2020 SPARE PARTS LIST

1200



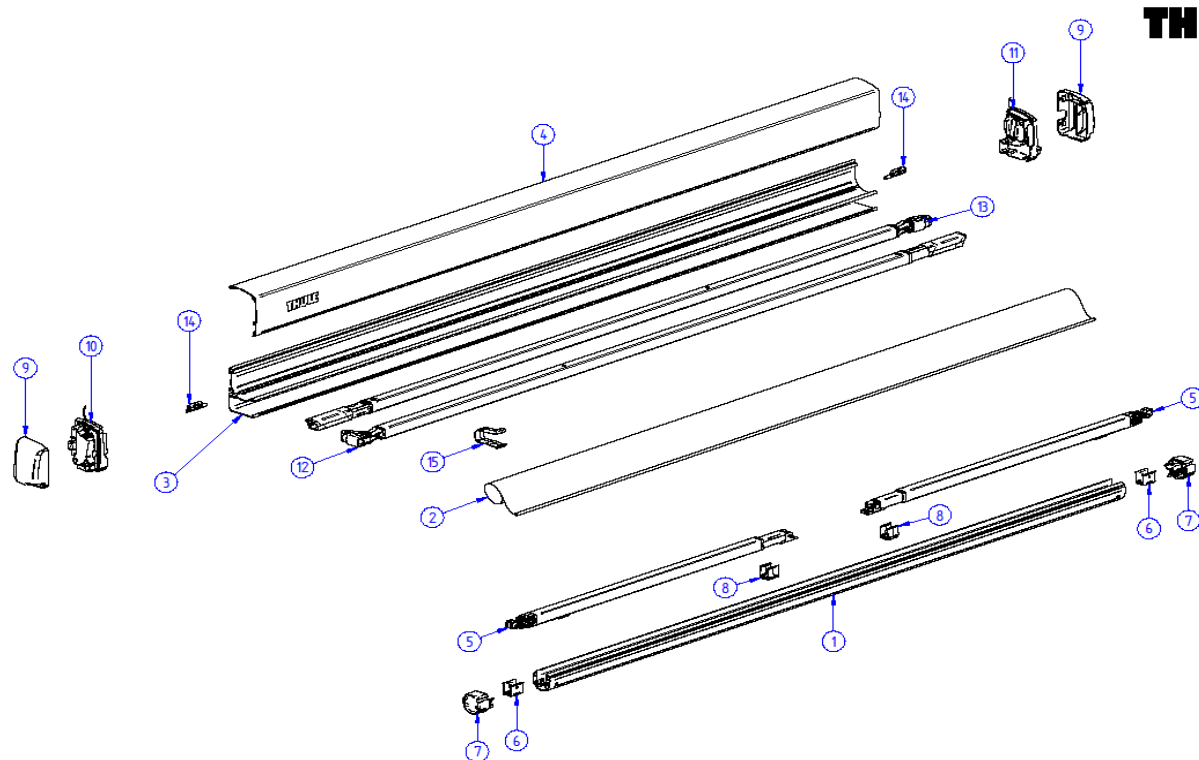
1BA601

| | | | |
|----|------------|---------------------------------------|--|
| | 1500602928 | FABRIC 3,75M TO 1200 - 32 | |
| | 1500602929 | FABRIC 4,00M TO 1200 - 31 | |
| | 1500602930 | FABRIC 4,00M TO 1200 - 32 | |
| | 1500602931 | FABRIC 4,25M TO 1200 - 31 | |
| | 1500602932 | FABRIC 4,25M TO 1200 - 32 | |
| | 1500602933 | FABRIC 4,50M TO 1200 - 31 | |
| | 1500602934 | FABRIC 4,50M TO 1200 - 32 | |
| | 1500602981 | FABRIC 5,00M TO 1200 - 31 | |
| | 1500602982 | FABRIC 5,00M TO 1200 - 32 | |
| | 1500602983 | FABRIC 5,50M TO 1200 - 31 | |
| | 1500602984 | FABRIC 5,50M TO 1200 - 32 | |
| 5 | 307311 | TENSION RAFTER 2.50M TO1200 | |
| 6 | 1500602935 | LH&RH ENDCAP ROLL.TUBE TO1200 | |
| 7 | 1500602936 | TENSION ARM GUARD TO1200 - 2PCS | |
| 8 | 1500601177 | CARAVAN RAIL BLOCKER SET | |
| 9 | 1500602937 | COUNT.PCE R.TUBE TO1200 - 2,30M/2,60M | |
| | 1500602938 | COUNT.PCE R.TUBE TO1200 - 3,00M | |
| | 1500602939 | COUNT.PCE R.TUBE TO1200 - 3,25M | |
| | 1500602940 | COUNT.PCE R.TUBE TO1200 - 3,50M | |
| | 1500602941 | COUNT.PCE R.TUBE TO1200 - 3,75M | |
| | 1500602942 | COUNT.PCE R.TUBE TO1200 - 4,00M | |
| | 1500602943 | COUNT.PCE R.TUBE TO1200 - 4,25M | |
| | 1500602944 | COUNT.PCE R.TUBE TO1200 - 4,50M | |
| | 1500602985 | COUNT.PCE R.TUBE TO1200 - 5,00M | |
| | 1500602986 | COUNT.PCE R.TUBE TO1200 - 5,50M | |
| 10 | 1500602945 | SUPPORT ARM TO1200 - 2,30M | |
| | 1500602946 | SUPPORT ARM TO1200 - 2,60M | |
| | 1500602958 | SUPPORT ARM TO1200 - 3,00/3,25 M | |
| | 1500602959 | SUPPORT ARM TO1200 - 3,50/5,50 M | |
| 11 | 1500602947 | LH&RH HINGE TO1200 | |
| 12 | 1500602977 | LH EXTENDER RAFTER ARM ASSY TO1200 | |
| 13 | 1500602978 | RH EXTENDER RAFTER ARM ASSY TO1200 | |

2020 SPARE PARTS LIST
3200 - Available April 2020

THULE
SWEDEN

3AR602



THULE 3200

3AR602-00

| | ART.NR. | DESCRIPTION | |
|----|------------|--------------------------------------|----------------------|
| 1 | 1500603489 | ROLLER TUBE 3200 - 1.90M | Available April 2020 |
| | 1500603490 | ROLLER TUBE 3200 - 2.30M | Available April 2020 |
| | 1500603491 | ROLLER TUBE 3200 - 2.50M | Available April 2020 |
| | 1500603492 | ROLLER TUBE 3200 - 2.70M | Available April 2020 |
| | 1500603493 | ROLLER TUBE 3200 - 3.00M | Available April 2020 |
| 2 | 1500603494 | FABRIC 3200 1.90M | Available April 2020 |
| | 1500603495 | FABRIC 3200 2.30M | Available April 2020 |
| | 1500603496 | FABRIC 3200 2.50M | Available April 2020 |
| | 1500603497 | FABRIC 3200 2.70M | Available April 2020 |
| | 1500603498 | FABRIC 3200 3.00M | Available April 2020 |
| 3 | 1500603499 | MAIN HOUSING BOTTOM 3200 ANTHR 1.90M | Available April 2020 |
| | 1500603500 | MAIN HOUSING BOTTOM 3200 ANTHR 2.30M | Available April 2020 |
| | 1500603501 | MAIN HOUSING BOTTOM 3200 ANTHR 2.50M | Available April 2020 |
| | 1500603502 | MAIN HOUSING BOTTOM 3200 ANTHR 2.70M | Available April 2020 |
| | 1500603503 | MAIN HOUSING BOTTOM 3200 ANTHR 3.00M | Available April 2020 |
| 4 | 1500603504 | MAIN HOUSING TOP 3200 ANO 2.50M | Available April 2020 |
| | 1500603505 | MAIN HOUSING TOP 3200 ANO 2.70M | Available April 2020 |
| | 1500603506 | MAIN HOUSING TOP 3200 ANO 3.00M | Available April 2020 |
| | 1500603507 | MAIN HOUSING TOP 3200 ANTHR 1.90M | Available April 2020 |
| | 1500603508 | MAIN HOUSING TOP 3200 ANTHR 2.30M | Available April 2020 |
| | 1500603509 | MAIN HOUSING TOP 3200 ANTHR 2.50M | Available April 2020 |
| | 1500603510 | MAIN HOUSING TOP 3200 ANTHR 2.70M | Available April 2020 |
| | 1500603511 | MAIN HOUSING TOP 3200 ANTHR 3.00M | Available April 2020 |
| 5 | 1500603512 | SUPPORT ARM 3200 1.90M | Available April 2020 |
| | 1500603513 | SUPPORT ARM 3200 2.30M-2.50M | Available April 2020 |
| | 1500603514 | SUPPORT ARM 3200 2.70M-3.00M | Available April 2020 |
| 6 | 1500603515 | CONNECTOR SUPPORT ARM 3200 - 2PC | Available April 2020 |
| 7 | 1500603516 | LH+RH ENDCAP ROLLER TUBE 3200 | Available April 2020 |
| 8 | 1500603517 | ANTI RATTLING SUPPORT ARM 3200 - 2PC | Available April 2020 |
| 9 | 1500603518 | LH+RH ENDCAP HOUSING | Available April 2020 |
| 10 | 1500603519 | LH ENDPLATE 3200 ASSY | Available April 2020 |
| 11 | 1500603520 | RH ENDPLATE 3200 ASSY | Available April 2020 |

2020 SPARE PARTS LIST

3200 - Available April 2020

THULE
SWEDEN

3AR602

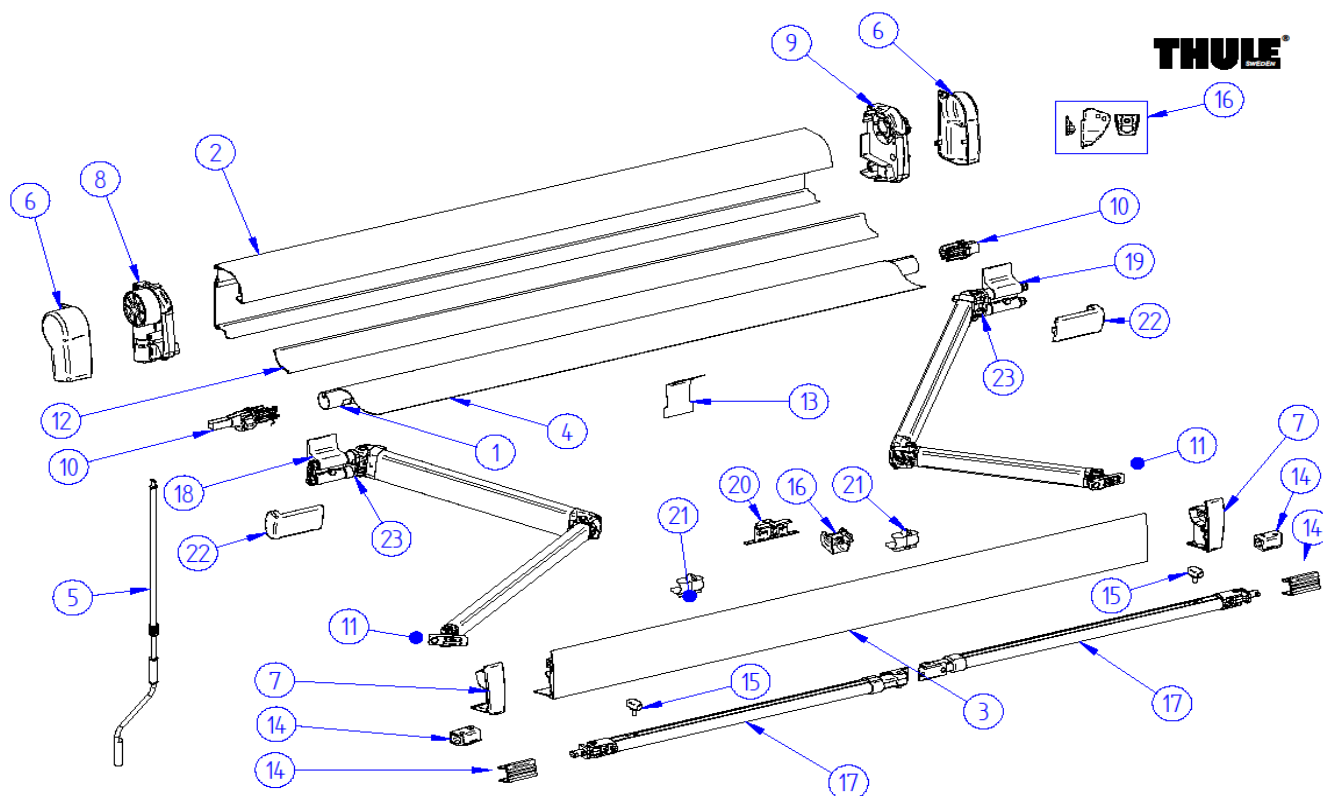
| | | | |
|----|------------|---------------------------------------|----------------------|
| 12 | 1500603521 | LH TENSION ARM 3200 1.90M-2.30M | Available April 2020 |
| | 1500603522 | LH TENSION ARM 3200 2.50M-2.70M-3.00M | Available April 2020 |
| 13 | 1500603523 | RH TENSION ARM 3200 1.90M-2.30M | Available April 2020 |
| | 1500603524 | RH TENSION ARM 3200 2.50M-2.70M-3.00M | Available April 2020 |
| 14 | 1500603525 | LH+RH CENTER PIECE FABRIC 3200 | Available April 2020 |
| 15 | 1500603526 | ANTI RATTLING TENSION ARM 3200 - 3PC | Available April 2020 |

2020 SPARE PARTS LIST

4900

THULE
SWEDEN

4AY602



THULE Omnistor 4900 & Tristor²

4AY602-04

| | ART.NR. | DESCRIPTION | | |
|------------|------------|-------------------------------------|--------------------------|--|
| 1 | 1500602658 | ROLLER TUBE D=30X0.8MM / 4900-2,60M | | |
| | 1500602186 | ROLLER TUBE D=30X0.8MM / 4900-3.00M | | |
| | 1500602187 | ROLLER TUBE D=30X0.8MM / 4900-3.50M | | |
| | 1500602188 | ROLLER TUBE D=30X0.8MM / 4900-4.00M | | |
| | 1500602189 | ROLLER TUBE D=30X0.8MM / 4900-4.50M | | |
| 2 | 1500602659 | MAINHOUSING 4900 2M60 WHITE | | |
| | 1500602190 | MAINHOUSING 4900 3M00 WHITE | | |
| | 1500602191 | MAINHOUSING 4900 3M50 WHITE | | |
| | 1500602192 | MAINHOUSING 4900 4M00 WHITE | | |
| | 1500602193 | MAINHOUSING 4900 4M50 WHITE | | |
| | 1500602660 | MAINHOUSING 4900 2M60 ANO | | |
| | 1500602198 | MAINHOUSING 4900 3M00 ANO | | |
| | 1500602199 | MAINHOUSING 4900 3M50 ANO | | |
| | 1500602200 | MAINHOUSING 4900 4M00 ANO | | |
| | 1500602201 | MAINHOUSING 4900 4M50 ANO | | |
| | 1500602948 | MAINHOUSING 4900 2M60 ANTHR. | | |
| | 1500602949 | MAINHOUSING 4900 3M00 ANTHR. | | |
| | 3 | 1500602661 | LEADRAIL 4900 2M60 WHITE | |
| | | 1500602194 | LEADRAIL 4900 3M00 WHITE | |
| 1500602195 | | LEADRAIL 4900 3M50 WHITE | | |
| 1500602196 | | LEADRAIL 4900 4M00 WHITE | | |
| 1500602197 | | LEADRAIL 4900 4M50 WHITE | | |
| 1500602662 | | LEADRAIL 4900 2M60 ANO | | |
| 1500602248 | | LEADRAIL 4900 3M00 ANO | | |
| 1500602249 | | LEADRAIL 4900 3M50 ANO | | |
| 1500602250 | | LEADRAIL 4900 4M00 ANO | | |
| 1500602251 | | LEADRAIL 4900 4M50 ANO | | |
| 1500602950 | | LEADRAIL 4900 2M60 ANTHR. | | |
| 1500602951 | | LEADRAIL 4900 3M00 ANTHR. | | |
| 4 | | 1500602663 | FABRIC 2M60 4900 31 | |
| | | 1500602664 | FABRIC 2M60 4900 32 | |
| | 1500602202 | FABRIC 3M00 4900 31 | | |

2020 SPARE PARTS LIST

4900

THULE
SWEDEN

4AY602

| | | | |
|----|------------|--|--|
| | 1500602203 | FABRIC 3M00 4900 32 | |
| | 1500602204 | FABRIC 3M50 4900 31 | |
| | 1500602205 | FABRIC 3M50 4900 32 | |
| | 1500602206 | FABRIC 4M00 4900 31 | |
| | 1500602207 | FABRIC 4M00 4900 32 | |
| | 1500602208 | FABRIC 4M50 4900 31 | |
| | 1500602209 | FABRIC 4M50 4900 32 | |
| 5 | 1500602210 | HAND CRANK SMALL G2 | |
| 6 | 1500602211 | LH + RH ENDCAP MAINHOUSING 4900 | |
| | 1500602212 | LH + RH ENDCAP MAINHOUSING 4900 ANO | |
| | 1500602952 | LH + RH ENDCAP MAINHOUSING 4900 ANTHR. | |
| 7 | 1500602213 | LH + RH ENDCAP LEADRAIL 4900 | |
| | 1500602214 | LH + RH ENDCAP LEADRAIL 4900 ANO | |
| | 1500602953 | LH + RH ENDCAP LEADRAIL 4900 ANTHR. | |
| 8 | 1500602215 | LH ENDPLATE ASSY 4900 | |
| | 1500602216 | LH ENDPLATE ASSY 4900 ANO | |
| | 1500602954 | LH ENDPLATE ASSY 4900 ANTHR. | |
| 9 | 1500602217 | RH ENDPLATE ASSY 4900 | |
| | 1500602218 | RH ENDPLATE ASSY 4900 ANO | |
| | 1500602955 | RH ENDPLATE ASSY 4900 ANTHR. | |
| 10 | 1500602219 | LH + RH ENDCAP ROLLERTUBE 4900 | |
| 11 | 1500602374 | LH+RH CONN LEAD RAIL 4900 | |
| | 1500602753 | LH+RH STOP SPRING ARM 4900 | |
| 12 | 1500602665 | SUPPORT ROLLER TUBE 4900 2M60 | |
| | 1500602284 | SUPPORT ROLLER TUBE 4900 3M00 | |
| | 1500602285 | SUPPORT ROLLER TUBE 4900 3M50 | |
| | 1500602221 | SUPPORT ROLLER TUBE 4900 4M00 | |
| | 1500602222 | SUPPORT ROLLER TUBE 4900 4M50 | |
| 13 | 1500602223 | SPRING SUPPORT ROLLER TUBE 4900 | |
| 14 | 1500602224 | CONNECTION SUPPORT ARM 4900 | |
| 15 | 1500602225 | KNOB SUPPORT ARM OVAL (2PCS) | |
| 16 | 1500602226 | CONNECTION PCS TENSION RAFTER 4900 | |
| 17 | 1500602666 | SUPPORT LEG OVAL 2M60 | |
| | 1500602227 | SUPPORT LEG OVAL 3M00 | |
| | 1500602228 | SUPPORT LEG OVAL 3M50-4M50 | |
| 18 | 1500602667 | L.H. SPRING ARM 4900 ANO 2M60 | |
| | 1500602229 | L.H. SPRING ARM 4900 ANO 3,0/3,5M | |
| | 1500602230 | L.H. SPRING ARM 4900 ANO 4,0/4,5M | |
| 19 | 1500602668 | R.H. SPRING ARM 4900 ANO 2M60 | |
| | 1500602231 | R.H. SPRING ARM 4900 ANO 3,0/3,5M | |
| | 1500602232 | R.H. SPRING ARM 4900 ANO 4,0/4,5M | |
| 20 | 1500602233 | CENTRAL CLAMP SUPPORT ARM OVAL | |
| 21 | 1500602234 | CLIP SUPPORT ARM OVAL | |
| 22 | 1500602235 | LH + RH COVER SPRING ARM BR. | |
| 23 | 1500602811 | ROTATION PLATE 4900 / 6200 | |

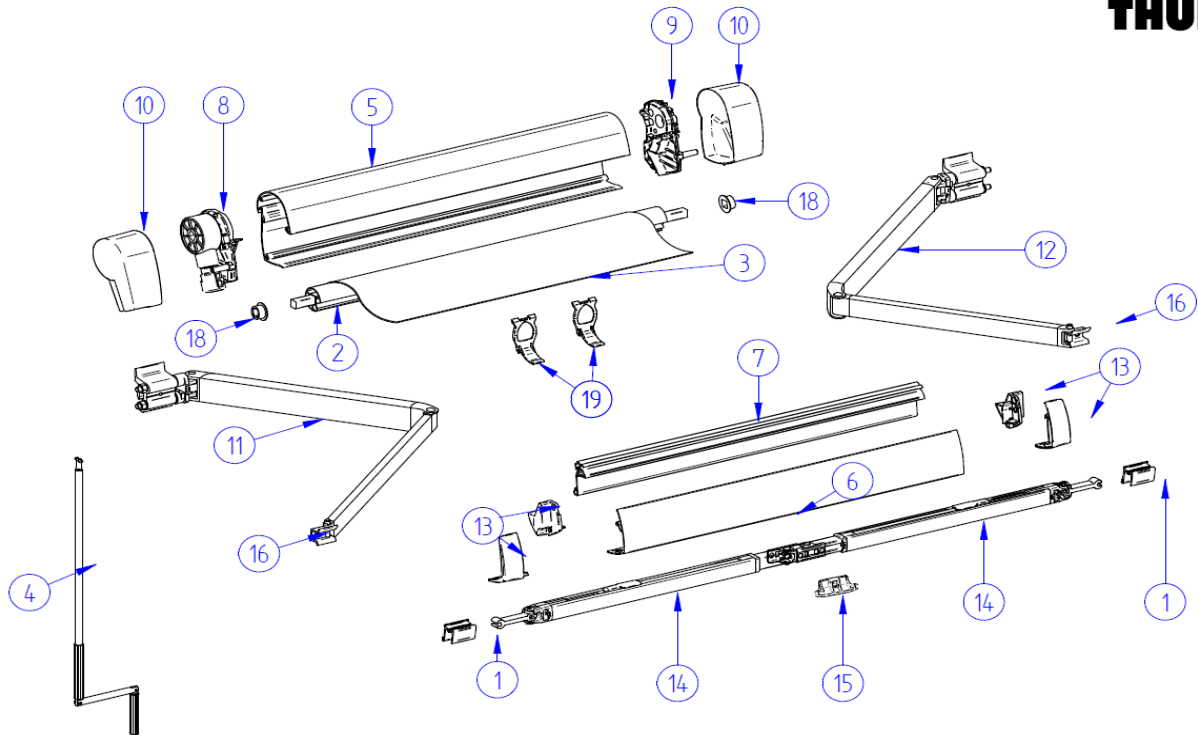
2020 SPARE PARTS LIST

5102

THULE
SWEDEN

VW606

THULE
SWEDEN



THULE Omnistor 5102/VW

VW 606-02

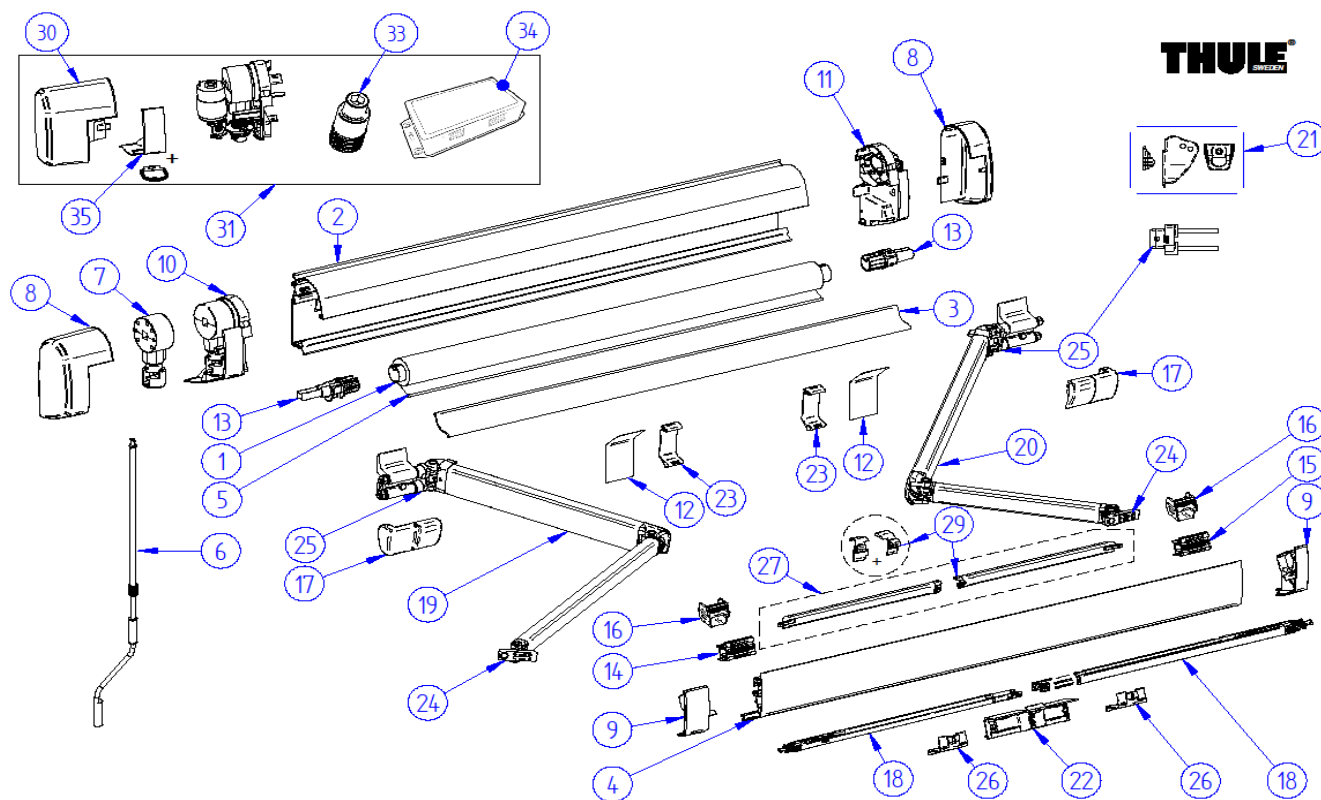
| ART.NR. | DESCRIPTION |
|---------|--|
| 1 | 1500600296 CONNECT. SUPP. ARM V97 SERIE 5 |
| 2 | 1500601954 ROLLER TUBE ASSY 5102 2.6M |
| 3 | 1500600952 FABRIC 2.60M 5102 04 |
| | 1500602699 FABRIC 2.60M 5102 31 |
| 4 | 1500601124 HANDCRANK VW T5 + 5102 |
| 5 | 1500601689 MAIN HOUSING VW T5 RAL9006 |
| | 1500602357 MAIN HOUSING VW T5 RAL9011 |
| 6 | 1500601955 OUTSIDE LEAD RAIL 5102 RAL9006 |
| | 1500602358 OUTSIDE LEAD RAIL 5102 RAL9011 |
| 7 | 1500601956 INSIDE LEAD RAIL 5102 RAL9006 |
| 8 | 1500601201 LH ENDPLATE + GEAR ASSY VW T5 |
| 9 | 1500601202 RH ENDPLATE MH VW T5 |
| 10 | 1500601203 LH+RH SIDECAP ASSY 5102 |
| | 1500602702 LH+RH SIDECAP ASSY 5102 RAL9011 |
| 11 | 1500602103 LH SPRINGARM COMPL 5102 |
| 12 | 1500602104 RH SPRINGARM COMPL 5102 |
| 13 | 1500601206 LH+RH LEAD RAIL END PLATE ASSY 5102 RAL9006 |
| | 1500602703 LH+RH LEAD RAIL END PLATE ASSY 5102 RAL9011 |
| 14 | 1500601960 SUPPORT ARM V2 2.60M XL |
| 15 | 1500601789 CENTRAL CLAMP SUPPORT ARM V2 |
| 16 | 1500601219 LH+RH CONN.LEAD RAIL |
| | 1500602754 LH+RH STOP SPRING ARM 5102 |
| 17 | 307993 ADAPTER SET 5102 VWT5 (not on image) |
| 18 | 1500602755 LH+RH ROLLER BEARINGS 5102 |
| 19 | 1500603187 POSITIONER SPRING ARM 5102 2PC |

2020 SPARE PARTS LIST

5200

THULE
SWEDEN

5AT601



THULE Omnistor 5200

5AT601-03

| | ART.NR. | DESCRIPTION | |
|------------|--------------------------------|-------------------------------------|-------------------------|
| 1 | 1500602989 | ROLLER TUBE D=30X0.8MM / 5200-1.90M | |
| | 1500602990 | ROLLER TUBE D=30X0.8MM / 5200-2,30M | |
| | 1500602658 | ROLLER TUBE D=30X0.8MM / 5200-2,60M | |
| | 1500602186 | ROLLER TUBE D=30X0.8MM / 5200-3.00M | |
| | 1500602187 | ROLLER TUBE D=30X0.8MM / 5200-3.50M | |
| | 1500602188 | ROLLER TUBE D=30X0.8MM / 5200-4.00M | |
| | 1500602189 | ROLLER TUBE D=30X0.8MM / 5200-4.50M | |
| | 1500602991 | ROLLER TUBE D=30X0.8MM / 5200-5.00M | |
| | 2 | 1500602992 | MAIN HOUSING 5200 1.90M |
| 1500602993 | | MAIN HOUSING 5200 2.30M | |
| 1500602994 | | MAIN HOUSING 5200 2.60M | |
| 1500602995 | | MAIN HOUSING 5200 3.00M | |
| 1500602996 | | MAIN HOUSING 5200 3.50M | |
| 1500602997 | | MAIN HOUSING 5200 4.00M | |
| 1500602998 | | MAIN HOUSING 5200 4.50M | |
| 1500602999 | | MAIN HOUSING 5200 5.00M | |
| 1500603000 | | MAIN HOUSING 5200 ANO 1.90M | |
| 1500603001 | | MAIN HOUSING 5200 ANO 2.30M | |
| 1500603002 | | MAIN HOUSING 5200 ANO 2.60M | |
| 1500603003 | | MAIN HOUSING 5200 ANO 3.00M | |
| 1500603004 | | MAIN HOUSING 5200 ANO 3.50M | |
| 1500603005 | | MAIN HOUSING 5200 ANO 4.00M | |
| 1500603006 | | MAIN HOUSING 5200 ANO 4.50M | |
| 1500603007 | | MAIN HOUSING 5200 ANO 5.00M | |
| 1500603008 | | MAIN HOUSING 5200 ANTHR. 2.60M | |
| 1500603009 | | MAIN HOUSING 5200 ANTHR. 3.00M | |
| 1500603010 | | MAIN HOUSING 5200 ANTHR. 3.50M | |
| 1500603011 | | MAIN HOUSING 5200 ANTHR. 4.00M | |
| 1500603093 | MAIN HOUSING 5200 ANTHR. 4.50M | | |
| 1500603468 | MAIN HOUSING 5200 ANTHR. 5.00M | | |
| 3 | 1500602665 | SUPPORT ROLLER TUBE 5200 2M60 | |
| | 1500602284 | SUPPORT ROLLER TUBE 5200 3M00 | |

2020 SPARE PARTS LIST



5200

5AT601

| | | | |
|---|------------|-------------------------------|--|
| | 1500602285 | SUPPORT ROLLER TUBE 5200 3M50 | |
| | 1500602221 | SUPPORT ROLLER TUBE 5200 4M00 | |
| | 1500602222 | SUPPORT ROLLER TUBE 5200 4M50 | |
| | 1500603014 | SUPPORT ROLLER TUBE 5200 5M00 | |
| 4 | 1500603015 | LEAD RAIL 5200 1.90M | |
| | 1500603016 | LEAD RAIL 5200 2.30M | |
| | 1500603017 | LEAD RAIL 5200 2.60M | |
| | 1500603018 | LEAD RAIL 5200 3.00M | |
| | 1500603019 | LEAD RAIL 5200 3.50M | |
| | 1500603020 | LEAD RAIL 5200 4.00M | |
| | 1500603021 | LEAD RAIL 5200 4.50M | |
| | 1500603022 | LEAD RAIL 5200 5.00M | |
| | 1500603023 | LEAD RAIL 5200 ANO 1.90M | |
| | 1500603024 | LEAD RAIL 5200 ANO 2.30M | |
| | 1500603025 | LEAD RAIL 5200 ANO 2.60M | |
| | 1500603026 | LEAD RAIL 5200 ANO 3.00M | |
| | 1500603027 | LEAD RAIL 5200 ANO 3.50M | |
| | 1500603028 | LEAD RAIL 5200 ANO 4.00M | |
| | 1500603029 | LEAD RAIL 5200 ANO 4.50M | |
| | 1500603030 | LEAD RAIL 5200 ANO 5.00M | |
| | 1500603031 | LEAD RAIL 5200 ANTHR. 2.60M | |
| | 1500603032 | LEAD RAIL 5200 ANTHR. 3.00M | |
| | 1500603033 | LEAD RAIL 5200 ANTHR. 3.50M | |
| | 1500603034 | LEAD RAIL 5200 ANTHR. 4.00M | |
| | 1500603094 | LEAD RAIL 5200 ANTHR. 4.50M | |
| | 1500603469 | LEAD RAIL 5200 ANTHR. 5.00M | |
| 5 | 1500603035 | FABRIC 1.90M 5200 03 BL SK | |
| | 1500603036 | FABRIC 1.90M 5200 04 AL GR | |
| | 1500603037 | FABRIC 1.90M 5200 22 RAL 9002 | |
| | 1500603038 | FABRIC 1.90M 5200 31 MY GR | |
| | 1500603039 | FABRIC 1.90M 5200 32 SA BL | |
| | 1500603040 | FABRIC 2.30M 5200 03 BL SK | |
| | 1500603041 | FABRIC 2.30M 5200 04 AL GR | |
| | 1500603042 | FABRIC 2.30M 5200 22 RAL 9002 | |
| | 1500603043 | FABRIC 2.30M 5200 31 MY GR | |
| | 1500603044 | FABRIC 2.30M 5200 32 SA BL | |
| | 1500603045 | FABRIC 2.60M 5200 03 BL SK | |
| | 1500603046 | FABRIC 2.60M 5200 04 AL GR | |
| | 1500603047 | FABRIC 2.60M 5200 22 RAL9002 | |
| | 1500602663 | FABRIC 2.60M 5200 31 MY GR | |
| | 1500602664 | FABRIC 2.60M 5200 32 SA BL | |
| | 1500603048 | FABRIC 3.00M 5200 03 BL SK | |
| | 1500603049 | FABRIC 3.00M 5200 04 AL GR | |
| | 1500603050 | FABRIC 3.00M 5200 22 RAL9002 | |
| | 1500602202 | FABRIC 3.00M 5200 31 MY GR | |
| | 1500602203 | FABRIC 3.00M 5200 32 SA BL | |
| | 1500603051 | FABRIC 3.50M 5200 03 BL SK | |
| | 1500603052 | FABRIC 3.50M 5200 04 AL GR | |
| | 1500603053 | FABRIC 3.50M 5200 22 RAL9002 | |
| | 1500602204 | FABRIC 3.50M 5200 31 MY GR | |
| | 1500602205 | FABRIC 3.50M 5200 32 SA BL | |
| | 1500603054 | FABRIC 4.00M 5200 03 BL SK | |
| | 1500603055 | FABRIC 4.00M 5200 04 AL GR | |
| | 1500603056 | FABRIC 4.00M 5200 22 RAL 9002 | |
| | 1500602206 | FABRIC 4.00M 5200 31 MY GR | |
| | 1500602207 | FABRIC 4.00M 5200 32 SA BL | |
| | 1500603057 | FABRIC 4.50M 5200 03 BL SK | |
| | 1500603058 | FABRIC 4.50M 5200 04 AL GR | |
| | 1500603059 | FABRIC 4.50M 5200 22 RAL 9002 | |
| | 1500602208 | FABRIC 4.50M 5200 31 MY GR | |
| | 1500602209 | FABRIC 4.50M 5200 32 SA BL | |
| | 1500603060 | FABRIC 5.00M 5200 03 BL SK | |

2020 SPARE PARTS LIST

5200



5AT601

| | | | |
|----|------------|--|--|
| | 1500603061 | FABRIC 5.00M 5200 04 AL GR | |
| | 1500603062 | FABRIC 5.00M 5200 22 RAL 9002 | |
| | 1500603063 | FABRIC 5.00M 5200 31 MY GR | |
| | 1500603064 | FABRIC 5.00M 5200 32 SA BL | |
| 6 | 1500602210 | HAND CRANK ASSY SHORT | |
| | 1500603195 | HAND CRANK ASSY SHORT 12V | |
| 7 | 1500601221 | GEAR ASSY+COUPL.FUNNEL | |
| 8 | 1500603065 | LH+RH ENDCAP MAINHOUSING 5200 | |
| | 1500603066 | LH + RH ENDC MAINHOUS 5200 ANO | |
| | 1500603067 | LH + RH ENDC MAINHOUS 5200 ANTHR. | |
| 9 | 1500603068 | LH+RH ENDCAP LEADRAIL 5200 | |
| | 1500603069 | LH+RH ENDCAP LEADRAIL 5200 ANO | |
| | 1500603070 | LH+RH ENDCAP LEADRAIL 5200 ANTHR. | |
| 10 | 1500603071 | LH ENDPLATE ASSY 5200 WH | |
| | 1500603095 | LH ENDPLATE ASSY 5200 ANO | |
| | 1500603097 | LH ENDPLATE ASSY 5200 ANTR | |
| 11 | 1500603072 | RH ENDPLATE ASSY 5200 WH | |
| | 1500603096 | RH ENDPLATE ASSY 5200 ANO | |
| | 1500603098 | RH ENDPLATE ASSY 5200 ANTR | |
| 12 | 1500603073 | SPRING SUPPORT ROLLER TUBE 5200 | |
| 13 | 1500602219 | LH + RH ENDCAP ROLLER TUBE 5200 | |
| 14 | 1500603074 | LH CONN SUPPORT ARM 5200 | |
| 15 | 1500603075 | RH CONN SUPPORT ARM 5200 | |
| 16 | 1500603076 | INSERT LEAD RAIL 5200 2PC | |
| 17 | 1500602235 | LH + RH COVER SPRING ARM BR. | |
| 18 | 1500603077 | SUPPORT ARM 5200 1.90M | |
| | 1500603078 | SUPPORT ARM 5200 2.30M | |
| | 1500603079 | SUPPORT ARM 5200 2.60M XL | |
| | 1500603080 | SUPPORT ARM 5200 3.00M | |
| | 1500603081 | SUPPORT ARM 5200 3.50-5.00M | |
| 19 | 1500603082 | L.H. SPRING ARM COMPL. 5200 - 1,90M | |
| | 1500603083 | L.H. SPRING ARM COMPL. 5200 - 2,30M | |
| | 1500603084 | L.H. SPRING ARM COMPL. 5200 - 2,60M | |
| | 1500603085 | L.H. SPRING ARM COMPL. 5200 ≥3,00M | |
| 20 | 1500603086 | R.H. SPRING ARM COMPL. 5200 - 1,90M | |
| | 1500603087 | R.H. SPRING ARM COMPL. 5200 - 2,30M | |
| | 1500603088 | R.H. SPRING ARM COMPL. 5200 - 2,60M | |
| | 1500603089 | R.H. SPRING ARM COMPL. 5200 ≥3,00M | |
| 21 | 1500603099 | POSIT. PIECE + TR HOLDER 5200 | |
| 22 | 1500603090 | CENTRAL CLAMP SUPPORT ARM 5200 | |
| 23 | 1500602327 | POSITIONER SPRING ARM - 2PC | |
| 24 | 1500603091 | CONN LEAD RAIL 5200 - 2PC | |
| | 1500603344 | LH+RH STOP SPRING ARM 5200 | |
| 25 | 1500602811 | ROTATION PLATE 5200 / 6200 | |
| 26 | 1500603092 | CLIP SUPPORT ARM 5200 - 2PC | |
| 27 | 301295 | INTEGRATED TENSION ARMS 5200 | |
| 28 | 1500603166 | NOISE REDUCTION 5200 | |
| 29 | 1500603188 | LH + RH END CAP TENSION ARMS 5200 | |
| 30 | 1500603189 | LH + RH ENDCAP MAINHOUSING 5200 12V WH | |
| | 1500603190 | LH + RH ENDC MAINHOUSING 5200 12V ANO | |
| | 1500603191 | LH + RH ENDC MAINHOUSING 5200 12V ANTHR. | |
| 31 | 301296 | 12V MOTOR ASSY 5200 WHITE | |
| | 301297 | 12V MOTOR ASSY 5200 ANO | |
| | 301298 | 12V MOTOR ASSY 5200 ANTHR. | |
| 33 | 1500603196 | CRANK PIN 12V | |
| 34 | 1500603197 | PANEL SET 5200 12V | |
| 35 | 1500603198 | PLUG & GEAR COVER WHITE | |
| | 1500603199 | PLUG & GEAR COVER ANO | |
| | 1500603200 | PLUG & GEAR COVER ANTHR. | |
| 36 | 1500603201 | SWITCH 12V MOTOR 5200 | |
| 37 | 1500601613 | FLAT ADAPTER SET 5200 1.90M-3.00M | |
| | 1500601614 | FLAT ADAPTER SET 5200 3.50M | |

2020 SPARE PARTS LIST

5200

THULE
SWEDEN

5AT601

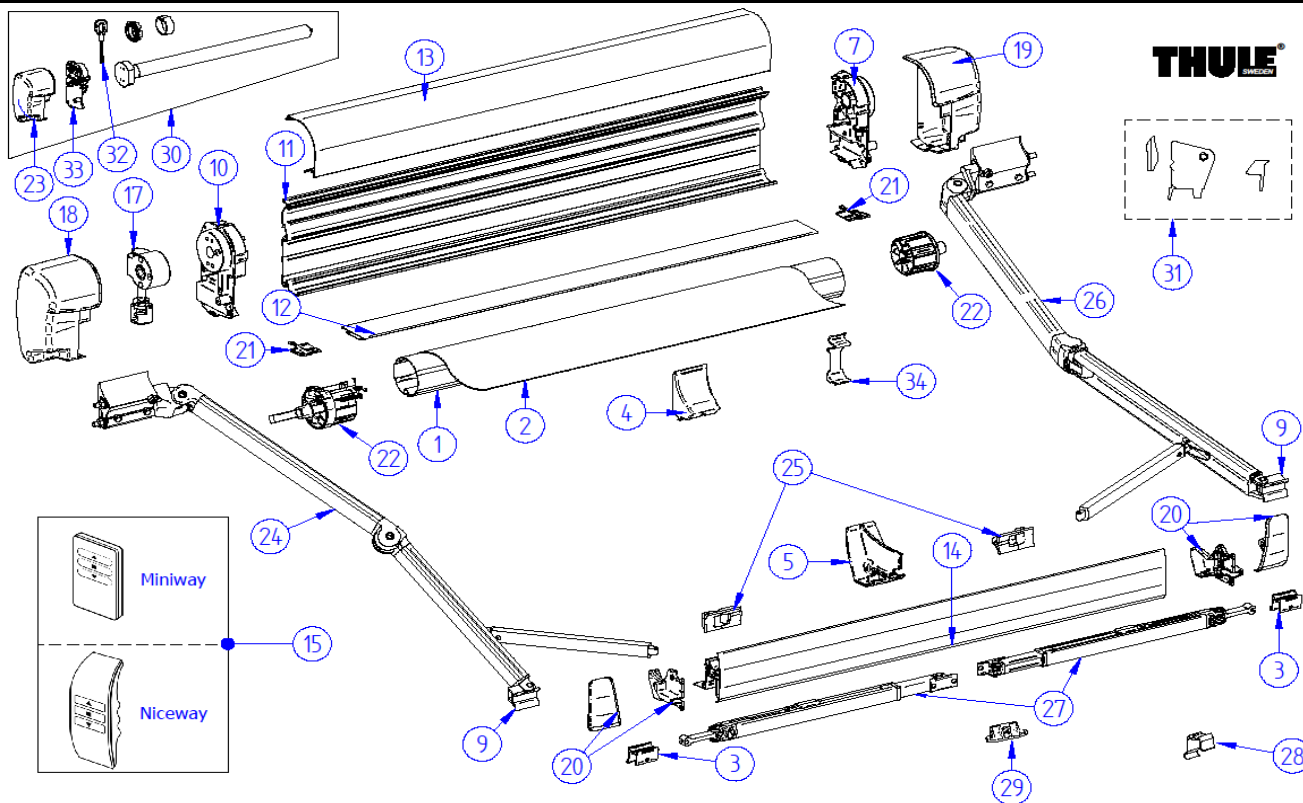
| | | | |
|--|------------|--------------------------------|--|
| | 1500601615 | FLAT ADAPTER SET 5200 4.00M | |
| | 1500601616 | FLAT ADAPT SET 5200 4.50-5.00M | |

2020 SPARE PARTS LIST

8000

THULE
SWEDEN

5AP606



THULE Omnistor 8000

5AP 606-02

| | ART.NR. | DESCRIPTION | |
|------------|------------|-------------------------------|----------------------|
| 1 | 1500601797 | ROLLER TUBE 70 / 8000 -3,50M | |
| | 1500601798 | ROLLER TUBE 70 / 8000 -4,00M | |
| | 1500601799 | ROLLER TUBE 70 / 8000 -4,50M | |
| | 1500601800 | ROLLER TUBE 70 / 8000 -5,00M | |
| | 1500601801 | ROLLER TUBE 70 / 8000 -5,50M | |
| | 1500601802 | ROLLER TUBE 70 / 8000 -6,00M | |
| | 2 | 1500601825 | FABRIC 8000 3,50M 03 |
| 1500601826 | | FABRIC 8000 3,50M 04 | |
| 1500601832 | | FABRIC 8000 3,50M 31 | |
| 1500601833 | | FABRIC 8000 3,50M 32 | |
| 1500600077 | | FABRIC 4.00M 8000 03 | |
| 1500600078 | | FABRIC 4.00M 8000 04 | |
| 1500600082 | | FABRIC 4.00M 8000 22 RAL 9002 | |
| 1500601701 | | FABRIC 4.00M 8000 31 | |
| 1500601702 | | FABRIC 4.00M 8000 32 | |
| 1500600084 | | FABRIC 4.50M 8000 03 | |
| 1500600085 | | FABRIC 4.50M 8000 04 | |
| 1500600089 | | FABRIC 4.50M 8000 22 RAL 9002 | |
| 1500601703 | | FABRIC 4.50M 8000 31 | |
| 1500601704 | | FABRIC 4.50M 8000 32 | |
| 1500600092 | | FABRIC 5.00M 8000 03 | |
| 1500600093 | | FABRIC 5.00M 8000 04 | |
| 1500600097 | | FABRIC 5.00M 8000 22 RAL 9002 | |
| 1500601705 | | FABRIC 5.00M 8000 31 | |
| 1500601706 | | FABRIC 5.00M 8000 32 | |
| 1500600099 | | FABRIC 5.50M 8000 03 | |
| 1500600100 | | FABRIC 5.50M 8000 04 | |
| 1500600104 | | FABRIC 5.50M 8000 22 RAL 9002 | |
| 1500601707 | | FABRIC 5.50M 8000 31 | |
| 1500601708 | | FABRIC 5.50M 8000 32 | |
| 1500600106 | | FABRIC 6.00M 8000 03 | |

2020 SPARE PARTS LIST

8000



5AP606

| | | | |
|----|------------|---|--|
| | 1500600107 | FABRIC 6.00M 8000 04 | |
| | 1500600111 | FABRIC 6.00M 8000 22 RAL 9002 | |
| | 1500601686 | FABRIC 6.00M 8000 31 | |
| | 1500601709 | FABRIC 6.00M 8000 32 | |
| 3 | 1500601602 | CONNECT. SUPP. ARM | |
| 4 | 1500600325 | LEAD RAIL HOLD DOWN 8000 | |
| 5 | 1500600326 | GLIDING ANGLE LEAD RAIL 8000 | |
| 6 | 1500600863 | RELAIS + FEET MOTOR 8000 220V | |
| 7 | 1500600865 | RH MAIN HOUS.END PL. ASSY 8000 | |
| | 1500600867 | RH ENDPLATE 8000 220V | |
| 8 | 1500601834 | L.H. END PLATE ASSY 8000-220V | |
| 9 | 1500601259 | LH+RH CONN.LEAD RAIL | |
| | 1500602760 | LH+RH STOP SPRING ARM 8000 / 9200 | |
| 10 | 1500600871 | L.H. END PLATE ASSY 8000 | |
| 11 | 1500602049 | BACK HOUSING 8000 - 3,50M | |
| | 1500600890 | BACK HOUSING 8000 - 4.00 M | |
| | 1500600891 | BACK HOUSING 8000 - 4.50M | |
| | 1500600892 | BACK HOUSING 8000 - 5.00M | |
| | 1500600893 | BACK HOUSING 8000 - 5.50M | |
| | 1500600894 | BACK HOUSING 8000 - 6.00M | |
| | 1500602050 | BACK HOUSING 8000 ANO - 3,50M | |
| | 1500600910 | BACK HOUSING 8000 ANO - 4.00M | |
| | 1500600911 | BACK HOUSING 8000 ANO - 4.50M | |
| | 1500600912 | BACK HOUSING 8000 ANO - 5.00M | |
| | 1500600913 | BACK HOUSING 8000 ANO - 5.50M | |
| | 1500600914 | BACK HOUSING 8000 ANO - 6.00M | |
| | 1500602289 | BACK HOUSING 8000 - 4.00 M RAL9002 | |
| | 1500602290 | BACK HOUSING 8000 - 4.50 M RAL9002 | |
| | 1500602291 | BACK HOUSING 8000 - 5.00 M RAL9002 | |
| | 1500602292 | BACK HOUSING 8000 - 5.50 M RAL9002 | |
| | 1500602293 | BACK HOUSING 8000 - 6.00 M RAL9002 | |
| | 1500603357 | BACK HOUSING 8000 ANT - 5.00M | |
| | 1500603358 | BACK HOUSING 8000 ANT - 5.50M | |
| | 1500603359 | BACK HOUSING 8000 ANT - 6.00M | |
| 12 | 1500602051 | MAINHOUSING BOTTOM 8000 - 3,50M | |
| | 1500600895 | MAINHOUSING BOTTOM 8000 - 4.00M | |
| | 1500600896 | MAINHOUSING BOTTOM 8000 - 4.50M | |
| | 1500600897 | MAINHOUSING BOTTOM 8000 - 5.00M | |
| | 1500600898 | MAINHOUSING BOTTOM 8000 - 5.50M | |
| | 1500600899 | MAINHOUSING BOTTOM 8000 - 6.00M | |
| | 1500602052 | MAINHOUSING BOTTOM 8000 ANO - 3,50M | |
| | 1500600915 | MAINHOUSING BOTTOM 8000 ANO - 4.00M | |
| | 1500600916 | MAINHOUSING BOTTOM 8000 ANO - 4.50M | |
| | 1500600917 | MAINHOUSING BOTTOM 8000 ANO - 5.00M | |
| | 1500600918 | MAINHOUSING BOTTOM 8000 ANO - 5.50M | |
| | 1500600919 | MAINHOUSING BOTTOM 8000 ANO - 6.00M | |
| | 1500602294 | MAINHOUSING BOTTOM 8000 RAL9002 - 4.00M | |
| | 1500602295 | MAINHOUSING BOTTOM 8000 RAL9002 - 4.50M | |
| | 1500602296 | MAINHOUSING BOTTOM 8000 RAL9002 - 5.00M | |
| | 1500602297 | MAINHOUSING BOTTOM 8000 RAL9002 - 5.50M | |
| | 1500602298 | MAINHOUSING BOTTOM 8000 RAL9002 - 6.00M | |
| | 1500603360 | MAINHOUSING BOTTOM 8000 ANT - 5.00M | |
| | 1500603361 | MAINHOUSING BOTTOM 8000 ANT - 5.50M | |
| | 1500603362 | MAINHOUSING BOTTOM 8000 ANT - 6.00M | |
| 13 | 1500602053 | ROOFHOUSING 8000 - 3,50M | |
| | 1500600900 | ROOFHOUSING 8000 - 4.00M | |
| | 1500600901 | ROOFHOUSING 8000 - 4.50M | |
| | 1500600902 | ROOFHOUSING 8000 - 5.00M | |

2020 SPARE PARTS LIST

8000



5AP606

| | | | |
|----|------------|------------------------------------|--|
| | 1500600903 | ROOFHOUSING 8000 - 5.50M | |
| | 1500600904 | ROOFHOUSING 8000 - 6.00M | |
| | 1500602054 | ROOFHOUSING 8000 ANO - 3,50M | |
| | 1500600920 | ROOFHOUSING 8000 ANO - 4.00M | |
| | 1500600921 | ROOFHOUSING 8000 ANO - 4.50M | |
| | 1500600922 | ROOFHOUSING 8000 ANO - 5.00M | |
| | 1500600923 | ROOFHOUSING 8000 ANO - 5.50M | |
| | 1500600924 | ROOFHOUSING 8000 ANO - 6.00M | |
| | 1500602299 | ROOFHOUSING 8000 RAL9002 - 4.00M | |
| | 1500602300 | ROOFHOUSING 8000 RAL9002 - 4.50M | |
| | 1500602301 | ROOFHOUSING 8000 RAL9002 - 5.00M | |
| | 1500602302 | ROOFHOUSING 8000 RAL9002 - 5.50M | |
| | 1500602303 | ROOFHOUSING 8000 RAL9002 - 6.00M | |
| | 1500603363 | ROOFHOUSING 8000 ANT - 5.00M | |
| | 1500603364 | ROOFHOUSING 8000 ANT - 5.50M | |
| | 1500603365 | ROOFHOUSING 8000 ANT - 6.00M | |
| 14 | 1500602055 | LEADRAIL 8000 - 3,50M | |
| | 1500600905 | LEADRAIL 8000 - 4.00M | |
| | 1500600906 | LEADRAIL 8000 - 4.50M | |
| | 1500600907 | LEADRAIL 8000 - 5.00M | |
| | 1500600908 | LEADRAIL 8000 - 5.50M | |
| | 1500600909 | LEADRAIL 8000 - 6.00M | |
| | 1500602056 | LEADRAIL 8000 ANO - 3,50M | |
| | 1500600925 | LEADRAIL 8000 ANO - 4.00M | |
| | 1500600926 | LEADRAIL 8000 ANO - 4.50M | |
| | 1500600927 | LEADRAIL 8000 ANO - 5.00M | |
| | 1500600928 | LEADRAIL 8000 ANO - 5.50M | |
| | 1500600929 | LEADRAIL 8000 ANO - 6.00M | |
| | 1500602304 | LEAD RAIL 8000 - 4,00M RAL9002 | |
| | 1500602305 | LEAD RAIL 8000 - 4,50M RAL9002 | |
| | 1500602306 | LEAD RAIL 8000 - 5,00M RAL9002 | |
| | 1500602283 | LEAD RAIL 8000 - 5,50M RAL9002 | |
| | 1500602308 | LEAD RAIL 8000 - 6,00M RAL9002 | |
| | 1500603366 | LEADRAIL 8000 ANT - 5.00M | |
| | 1500603367 | LEADRAIL 8000 ANT - 5.50M | |
| | 1500603368 | LEADRAIL 8000 ANT - 6.00M | |
| 15 | 1500601129 | REMOTE CONTROL NICEWAY | |
| | 1500603176 | REMOTE CONTROL MINIWAY | |
| 16 | 1500601207 | HAND CRANK ASSY SHORT | |
| 17 | 1500601210 | GEAR ASSY+COUPLING FUNNEL 8000 | |
| 18 | 1500601249 | LH ENDCAP MAINHOUSING 8000 | |
| | 1500601250 | LH ENDCAP MAINHOUSING 8000 ANO | |
| | 1500602286 | LH ENDCAP MAINHOUSING 8000 RAL9002 | |
| | 1500603369 | LH ENDCAP MAINHOUSING 8000 ANT | |
| 19 | 1500601251 | RH ENDCAP MAINHOUSING 8000 | |
| | 1500601252 | RH ENDCAP MAINHOUSING 8000 ANO | |
| | 1500602287 | RH ENDCAP MAINHOUSING 8000 RAL9002 | |
| | 1500603370 | RH ENDCAP MAINHOUSING 8000 ANT | |
| 20 | 1500601254 | LH+RH LEAD RAIL END PLATE 8000 | |
| | 1500601255 | LH+RH LEAD RAIL ENDPL.8000 ANO | |
| | 1500602288 | LH+RH LEAD RAIL ENDPL.8000 RAL9002 | |
| | 1500603371 | LH+RH LEAD RAIL ENDPL.8000 ANT | |
| 21 | 1500601256 | LH+RH SIDE CAP MH BOTTOM 8000 | |
| | 1500601257 | LH+RH SIDECAP MH BOTT.8000 ANO | |
| 22 | 1500601258 | LH+RH ROLLER TUBE ASSY 8000 | |
| 23 | 1500601260 | LH ENDCAP MH 8000 220V | |
| | 1500601261 | LH ENDCAP MH 8000 220V ANO | |
| | 1500602757 | LH ENDCAP MH 8000 220V RAL9002 | |

2020 SPARE PARTS LIST**8000****THULE**
SWEDEN**5AP606**

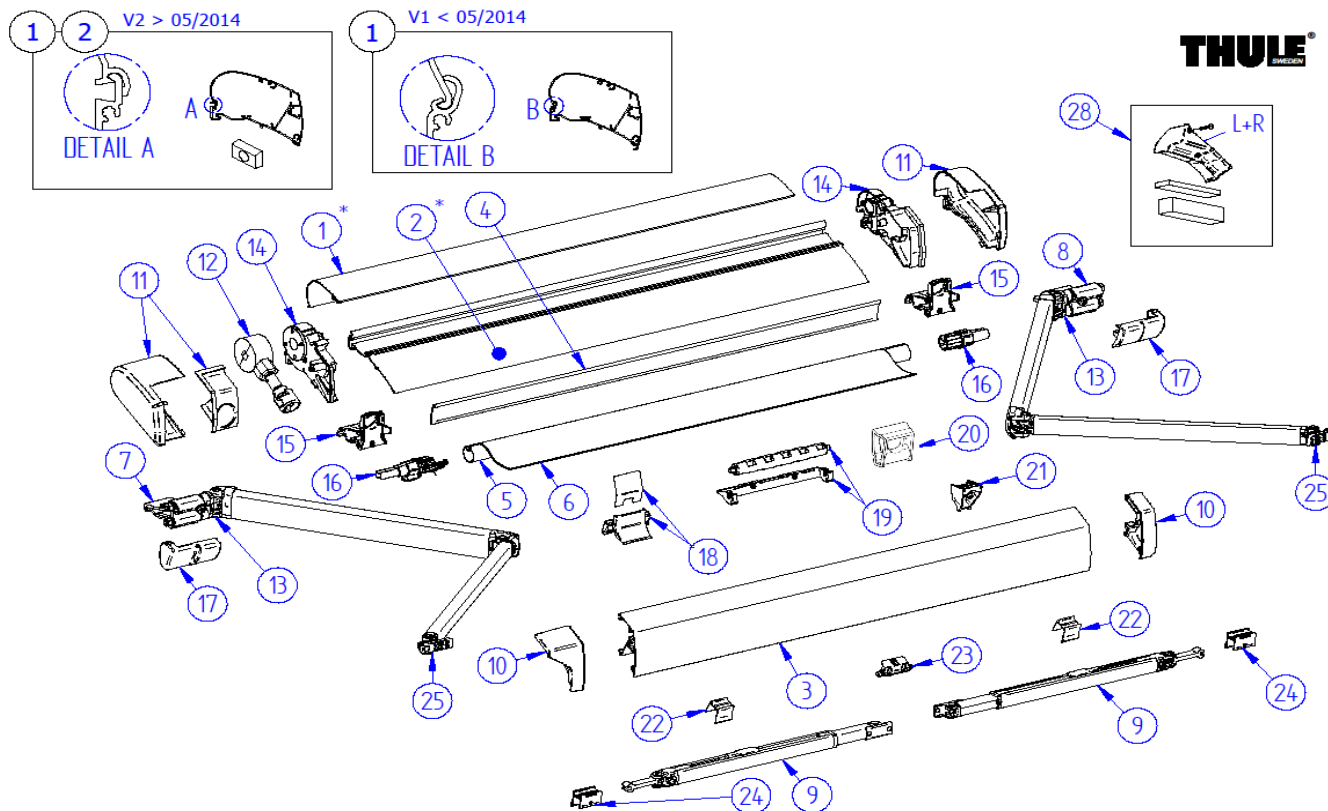
| | | | |
|----|------------|-------------------------------------|--|
| | 1500603372 | LH ENDCAP MH 8000 220V ANT | |
| 24 | 1500602059 | L.H. SPRING ARM COMPL. 8000 ≥4,00M | |
| | 1500602057 | L.H. SPRING ARM 8000 - 3,50M | |
| 25 | 1500601298 | LH & RH GLIDING PIECES TENSION ARMS | |
| 26 | 1500602060 | R.H.SPR.ARM COMPL. 8000 ≥4,00M | |
| | 1500602058 | RH. SPRING ARM 8000 - 3,50M | |
| 27 | 1500601612 | SUPPORT ARM V2 3.50M | |
| | 1500601312 | SUPPORT ARM V2 LARGE | |
| 28 | 1500602342 | ANTI RATTING SUPPORT ARM | |
| 29 | 1500601789 | CENTRAL CLAMP SUPPORT ARM V2 | |
| 30 | 302530 | 220V MOTOR 8000 WHITE | |
| | 302531 | 220V MOTOR 8000 ANO | |
| | 302532 | 220V MOTOR 8000 RAL9002 | |
| 31 | 1500601399 | CONNECTION PCS TENSION RAFTER 8000 | |
| 32 | 1500602375 | EMERGENCY HAND CRANK 8000 | |
| 33 | 1500602391 | LH END PLATE HOUSING 8000 220V | |
| 34 | 1500602327 | SPRING ARM PROTECTION KIT 8000 | |
| 35 | 1500603402 | FLAT ADAPTER SET 8000 | |

2020 SPARE PARTS LIST

6200

THULE
SWEDEN

6VA602



THULE Omnistor 6200

GVA602-05

| | ART.NR. | DESCRIPTION | |
|------------|---------------------------------|------------------------------------|-----------------------------------|
| 1-V1 | 1500602504 | COVER HOUSING 6200 2,60M WHITE V1 | |
| | 1500602505 | COVER HOUSING 6200 3,00M WHITE V1 | |
| | 1500602506 | COVER HOUSING 6200 3,25M WHITE V1 | |
| | 1500602507 | COVER HOUSING 6200 3,50M WHITE V1 | |
| | 1500602508 | COVER HOUSING 6200 3,75M WHITE V1 | |
| | 1500602509 | COVER HOUSING 6200 4,00M WHITE V1 | |
| | 1500602510 | COVER HOUSING 6200 4,50M WHITE V1 | |
| | 1500602511 | COVER HOUSING 6200 2,60M ANO V1 | |
| | 1500602512 | COVER HOUSING 6200 3,00M ANO V1 | |
| | 1500602513 | COVER HOUSING 6200 3,25M ANO V1 | |
| | 1500602514 | COVER HOUSING 6200 3,50M ANO V1 | |
| | 1500602515 | COVER HOUSING 6200 3,75M ANO V1 | |
| | 1500602516 | COVER HOUSING 6200 4,00M ANO V1 | |
| | 1500602517 | COVER HOUSING 6200 4,50M ANO V1 | |
| | 1500602518 | COVER HOUSING 6200 3,25M ANTHR. V1 | |
| | 1500602519 | COVER HOUSING 6200 3,50M ANTHR. V1 | |
| | 1500602520 | COVER HOUSING 6200 3,75M ANTHR. V1 | |
| | 1500602521 | COVER HOUSING 6200 4,00M ANTHR. V1 | |
| | 1-V2 | 1500602832 | COVER HOUSING 6200 2,60M WHITE V2 |
| | | 1500602833 | COVER HOUSING 6200 3,00M WHITE V2 |
| | | 1500602834 | COVER HOUSING 6200 3,25M WHITE V2 |
| 1500602835 | | COVER HOUSING 6200 3,50M WHITE V2 | |
| 1500602836 | | COVER HOUSING 6200 3,75M WHITE V2 | |
| 1500602837 | | COVER HOUSING 6200 4,00M WHITE V2 | |
| 1500602838 | | COVER HOUSING 6200 4,25M WHITE V2 | |
| 1500602839 | | COVER HOUSING 6200 4,50M WHITE V2 | |
| 1500602865 | | COVER HOUSING 6200 5,00M WHITE V2 | |
| 1500602862 | | COVER HOUSING 6200 2,60M ANO V2 | |
| 1500602863 | | COVER HOUSING 6200 3,00M ANO V2 | |
| 1500602840 | | COVER HOUSING 6200 3,25M ANO V2 | |
| 1500602841 | | COVER HOUSING 6200 3,50M ANO V2 | |
| 1500602842 | COVER HOUSING 6200 3,75M ANO V2 | | |

2020 SPARE PARTS LIST



6200

6VA602

| | | | |
|---|------------|------------------------------------|--|
| | 1500602843 | COVER HOUSING 6200 4,00M ANO V2 | |
| | 1500602844 | COVER HOUSING 6200 4,50M ANO V2 | |
| | 1500602845 | COVER HOUSING 6200 2,60M ANTHR. V2 | |
| | 1500602846 | COVER HOUSING 6200 3,00M ANTHR. V2 | |
| | 1500602847 | COVER HOUSING 6200 3,25M ANTHR. V2 | |
| | 1500602848 | COVER HOUSING 6200 3,50M ANTHR. V2 | |
| | 1500602849 | COVER HOUSING 6200 3,75M ANTHR. V2 | |
| | 1500602850 | COVER HOUSING 6200 4,00M ANTHR. V2 | |
| 2 | 1500602851 | BACK HOUSING 6200 2,60M V2 | |
| | 1500602852 | BACK HOUSING 6200 3,00M V2 | |
| | 1500602853 | BACK HOUSING 6200 3,25M V2 | |
| | 1500602854 | BACK HOUSING 6200 3,50M V2 | |
| | 1500602855 | BACK HOUSING 6200 3,75M V2 | |
| | 1500602856 | BACK HOUSING 6200 4,00M V2 | |
| | 1500602857 | BACK HOUSING 6200 4,25M V2 | |
| | 1500602858 | BACK HOUSING 6200 4,50M V2 | |
| | 1500602866 | BACK HOUSING 6200 5,00M V2 | |
| 3 | 1500602529 | LEAD RAIL 6200 2,60M WHITE | |
| | 1500602530 | LEAD RAIL 6200 3,00M WHITE | |
| | 1500602531 | LEAD RAIL 6200 3,25M WHITE | |
| | 1500602532 | LEAD RAIL 6200 3,50M WHITE | |
| | 1500602533 | LEAD RAIL 6200 3,75M WHITE | |
| | 1500602534 | LEAD RAIL 6200 4,00M WHITE | |
| | 1500602859 | LEAD RAIL 6200 4,25M WHITE | |
| | 1500602535 | LEAD RAIL 6200 4,50M WHITE | |
| | 1500602867 | LEAD RAIL 6200 5,00M WHITE | |
| | 1500602538 | LEAD RAIL 6200 3,25M ANO | |
| | 1500602539 | LEAD RAIL 6200 3,50M ANO | |
| | 1500602540 | LEAD RAIL 6200 3,75M ANO | |
| | 1500602541 | LEAD RAIL 6200 4,00M ANO | |
| | 1500602542 | LEAD RAIL 6200 4,50M ANO | |
| | 1500602860 | LEAD RAIL 6200 2,60M ANTHR. | |
| | 1500602861 | LEAD RAIL 6200 3,00M ANTHR. | |
| | 1500602543 | LEAD RAIL 6200 3,25M ANTHR. | |
| | 1500602544 | LEAD RAIL 6200 3,50M ANTHR. | |
| | 1500602545 | LEAD RAIL 6200 3,75M ANTHR. | |
| | 1500602546 | LEAD RAIL 6200 4,00M ANTHR. | |
| 4 | 1500602547 | SUPPORT ROLLER TUBE 6200 2,60M | |
| | 1500602548 | SUPPORT ROLLER TUBE 6200 3,00M | |
| | 1500602549 | SUPPORT ROLLER TUBE 6200 3,25M | |
| | 1500602550 | SUPPORT ROLLER TUBE 6200 3,50M | |
| | 1500602551 | SUPPORT ROLLER TUBE 6200 3,75M | |
| | 1500602552 | SUPPORT ROLLER TUBE 6200 4,00M | |
| | 1500602868 | SUPPORT ROLLER TUBE 6200 4,25M | |
| | 1500602553 | SUPPORT ROLLER TUBE 6200 4,50M | |
| | 1500602869 | SUPPORT ROLLER TUBE 6200 5,00M | |
| 5 | 1500602554 | ROLLER TUBE D=30 / 6200 2,60M | |
| | 1500602555 | ROLLER TUBE D=30 / 6200 3.00M | |
| | 1500602556 | ROLLER TUBE D=30 / 6200 3,25M | |
| | 1500602557 | ROLLER TUBE D=30 / 6200 3,50M | |
| | 1500602558 | ROLLER TUBE D=30 / 6200 3,75M | |
| | 1500602559 | ROLLER TUBE D=30 / 6200 4.00M | |
| | 1500602870 | ROLLER TUBE D=30 / 6200 4,25M | |
| | 1500602560 | ROLLER TUBE D=30 / 6200 4.50M | |
| | 1500602871 | ROLLER TUBE D=30 / 6200 5,00M | |
| 6 | 1500602561 | FABRIC 2,60M 6200 03 | |
| | 1500602562 | FABRIC 2,60M 6200 04 | |
| | 1500602563 | FABRIC 2,60M 6200 22 | |
| | 1500602564 | FABRIC 2,60M 6200 31 | |
| | 1500602565 | FABRIC 2,60M 6200 32 | |
| | 1500602566 | FABRIC 3,00M 6200 03 | |
| | 1500602567 | FABRIC 3,00M 6200 04 | |

2020 SPARE PARTS LIST

6200



6VA602

| | | | |
|----|------------|--|--|
| | 1500602568 | FABRIC 3,00M 6200 22 | |
| | 1500602569 | FABRIC 3,00M 6200 31 | |
| | 1500602570 | FABRIC 3,00M 6200 32 | |
| | 1500602571 | FABRIC 3,25M 6200 03 | |
| | 1500602572 | FABRIC 3,25M 6200 04 | |
| | 1500602573 | FABRIC 3,25M 6200 22 | |
| | 1500602574 | FABRIC 3,25M 6200 31 | |
| | 1500602575 | FABRIC 3,25M 6200 32 | |
| | 1500602576 | FABRIC 3,50M 6200 03 | |
| | 1500602577 | FABRIC 3,50M 6200 04 | |
| | 1500602578 | FABRIC 3,50M 6200 22 | |
| | 1500602579 | FABRIC 3,50M 6200 31 | |
| | 1500602580 | FABRIC 3,50M 6200 32 | |
| | 1500602581 | FABRIC 3,75M 6200 03 | |
| | 1500602582 | FABRIC 3,75M 6200 04 | |
| | 1500602583 | FABRIC 3,75M 6200 22 | |
| | 1500602584 | FABRIC 3,75M 6200 31 | |
| | 1500602585 | FABRIC 3,75M 6200 32 | |
| | 1500602586 | FABRIC 4,00M 6200 03 | |
| | 1500602587 | FABRIC 4,00M 6200 04 | |
| | 1500602588 | FABRIC 4,00M 6200 22 | |
| | 1500602589 | FABRIC 4,00M 6200 31 | |
| | 1500602590 | FABRIC 4,00M 6200 32 | |
| | 1500602872 | FABRIC 4,25M 6200 03 | |
| | 1500602873 | FABRIC 4,25M 6200 04 | |
| | 1500602874 | FABRIC 4,25M 6200 22 | |
| | 1500602875 | FABRIC 4,25M 6200 31 | |
| | 1500602876 | FABRIC 4,25M 6200 32 | |
| | 1500602591 | FABRIC 4,50M 6200 03 | |
| | 1500602592 | FABRIC 4,50M 6200 04 | |
| | 1500602593 | FABRIC 4,50M 6200 22 | |
| | 1500602594 | FABRIC 4,50M 6200 31 | |
| | 1500602595 | FABRIC 4,50M 6200 32 | |
| | 1500602877 | FABRIC 5,00M 6200 31 | |
| 7 | 1500602596 | L.H. SPRING ARM 6200 2,60M | |
| | 1500602597 | L.H. SPRING ARM 6200 3,0/4,5M | |
| 8 | 1500602598 | R.H. SPRING ARM 6200 2,60M | |
| | 1500602599 | R.H. SPRING ARM 6200 3,0/4,5M | |
| 9 | 1500601960 | SUPPORT ARM V2 2.60M XL | |
| | 1500601611 | SUPPORT ARM V2 3.00-3,25M | |
| | 1500601612 | SUPPORT ARM V2 3.50-4.50M | |
| 10 | 1500602600 | LH+RH ENDCAP LEADRAIL 6200 WHITE | |
| | 1500602601 | LH+RH ENDCAP LEADRAIL 6200 ANO | |
| | 1500602602 | LH+RH ENDCAP LEADRAIL 6200 ANTHR. | |
| 11 | 1500602603 | LH+RH ENDCAP MAINHOUSING 6200 WHITE | |
| | 1500602604 | LH+RH ENDCAP MAINHOUSING 6200 ANO | |
| | 1500602605 | LH+RH ENDCAP MAINHOUSING 6200 ANTHR | |
| 12 | 1500602606 | GEAR ASSY+COUPL.FUNN 6200 | |
| 13 | 1500602811 | ROTATION PLATE 4900 / 6200 | |
| 14 | 1500602607 | LH+RH ENDPLATE ASSY 6200 WHITE | |
| | 1500602608 | LH+RH ENDPLATE ASSY 6200 ANO | |
| | 1500602609 | LH+RH ENDPLATE ASSY 6200 ANTHR | |
| 15 | 1500602610 | HOUSING CON.PCE TENSION RAFTER 6200 | |
| 16 | 1500602611 | LH + RH ENDCAP ROLLER TUBE 6200 | |
| 17 | 1500602612 | LH + RH COVER SUPPORT SPRING ARM 6200 | |
| 18 | 1500602613 | SPRING & SUPPORT 6200 | |
| 19 | 1500602614 | CENTER SUPPORT ROLLER TUBE 6200 | |
| 20 | 1500603112 | POSIT. BLOCK + TENS. RAFTER HOUSING 6200 1+1PC | |
| 21 | 1500602616 | INSERT LEAD RAIL 6200 2PC | |
| 22 | 1500602502 | ANTI RATTILING SUPPORT ARM 6200/9200 | |
| 23 | 1500601789 | CENTRAL CLAMP SUPPORT ARM V2 | |
| 24 | 1500601602 | LH & RH CONNECTION SUPPORT ARM | |

2020 SPARE PARTS LIST**THULE**
SWEDEN

6200

6VA602

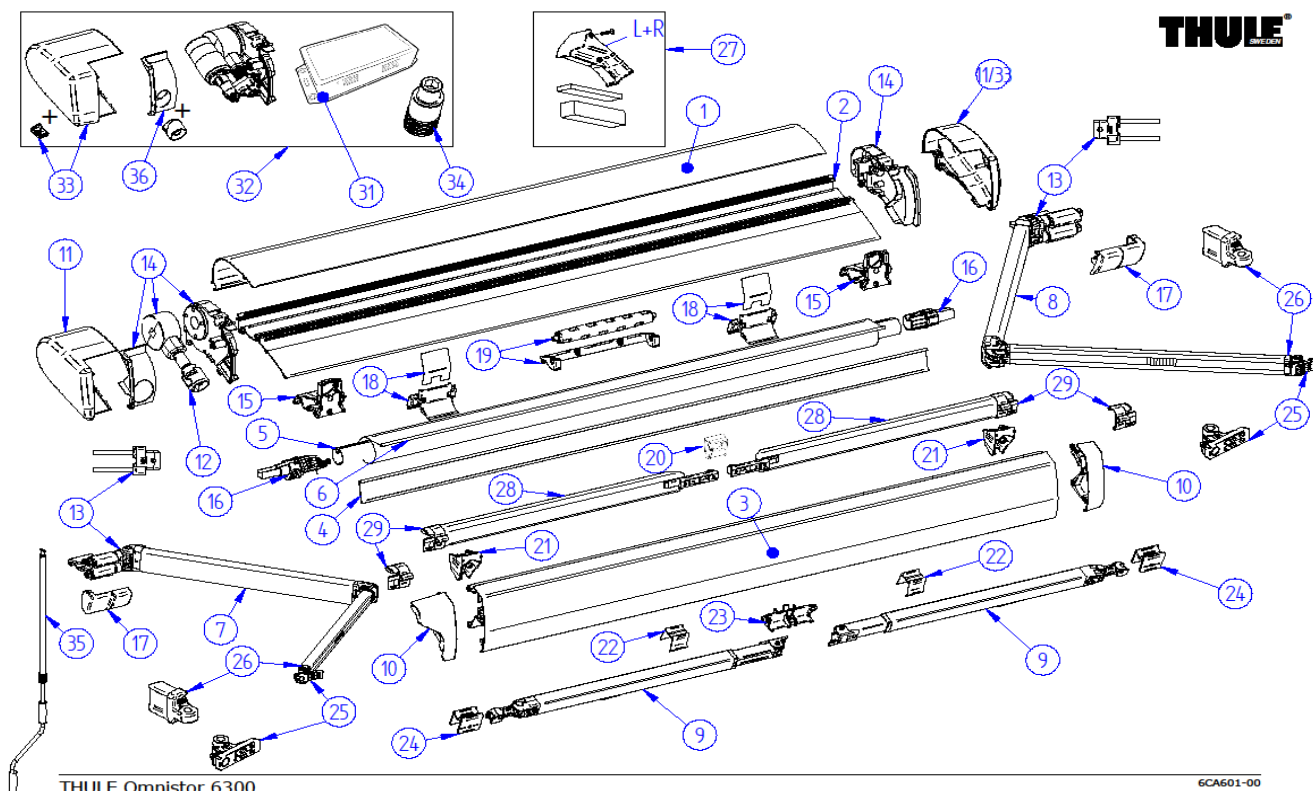
| | | | |
|----|------------|--|--|
| 25 | 1500602374 | LH+RH CONN.LEAD RAIL 6200 | |
| | 1500602753 | LH+RH STOP SPRING ARM 6200 | |
| 26 | 1500602719 | ADDITIONAL ROOF ADAPTER MOUNTING RAIL | |
| | 1500602720 | ADDITIONAL ROOF ADAPTER FENDT BRILJANT | |
| | 1500602721 | ADDITIONAL ROOF ADAPTER DUCATO >2007 | |
| | 1500602722 | ADDITIONAL ROOF ADAPTER MASTER >2011 | |
| | 1500602723 | ADDITIONAL ROOF ADAPTER SPRINTER | |
| 27 | 1500603165 | SEALING TAPE LEAD RAIL | |
| 28 | 1500603178 | END CAPS COVERS DUCATO | |
| 29 | 1500603354 | EPDM SEALING PROFILE 18MM (2x2,00M) | |

2020 SPARE PARTS LIST
6300

THULE
SWEDEN

6CA601

THULE
SWEDEN



| | ART.NR. | DESCRIPTION | |
|---|------------|---------------------------------|--|
| 1 | 1500603256 | COVER HOUSING 6300 2,60M WHITE | |
| | 1500603257 | COVER HOUSING 6300 3,00M WHITE | |
| | 1500603258 | COVER HOUSING 6300 3,25M WHITE | |
| | 1500603259 | COVER HOUSING 6300 3,50M WHITE | |
| | 1500603260 | COVER HOUSING 6300 3,75M WHITE | |
| | 1500603261 | COVER HOUSING 6300 4,00M WHITE | |
| | 1500603262 | COVER HOUSING 6300 4,25M WHITE | |
| | 1500603263 | COVER HOUSING 6300 4,50M WHITE | |
| | 1500603264 | COVER HOUSING 6300 5,00M WHITE | |
| | 1500603265 | COVER HOUSING 6300 3,25M ANO | |
| | 1500603266 | COVER HOUSING 6300 3,50M ANO | |
| | 1500603267 | COVER HOUSING 6300 3,75M ANO | |
| | 1500603268 | COVER HOUSING 6300 4,00M ANO | |
| | 1500603269 | COVER HOUSING 6300 4,50M ANO | |
| | 1500603270 | COVER HOUSING 6300 5,00M ANO | |
| | 1500603271 | COVER HOUSING 6300 2,60M ANTHR. | |
| | 1500603272 | COVER HOUSING 6300 3,00M ANTHR. | |
| | 1500603273 | COVER HOUSING 6300 3,25M ANTHR. | |
| | 1500603274 | COVER HOUSING 6300 3,50M ANTHR. | |
| | 1500603275 | COVER HOUSING 6300 3,75M ANTHR. | |
| | 1500603276 | COVER HOUSING 6300 4,00M ANTHR. | |
| | 1500603470 | COVER HOUSING 6300 4,25M ANTHR. | |
| | 1500603277 | COVER HOUSING 6300 4,50M ANTHR. | |
| | 1500603278 | COVER HOUSING 6300 5,00M ANTHR. | |
| 2 | 1500603279 | BACK HOUSING 6200 2,60M | |
| | 1500603280 | BACK HOUSING 6300 3,00M | |
| | 1500603281 | BACK HOUSING 6300 3,25M | |
| | 1500603282 | BACK HOUSING 6300 3,50M | |
| | 1500603283 | BACK HOUSING 6300 3,75M | |
| | 1500603284 | BACK HOUSING 6300 4,00M | |
| | 1500603285 | BACK HOUSING 6300 4,25M | |
| | 1500603286 | BACK HOUSING 6300 4,50M | |
| | 1500603287 | BACK HOUSING 6300 5,00M | |

2020 SPARE PARTS LIST

6300



6CA601

| | | | |
|---|------------|------------------------------------|--|
| 3 | 1500603288 | LEAD RAIL 6300 2,60M WHITE | |
| | 1500603289 | LEAD RAIL 6300 3,00M WHITE | |
| | 1500603290 | LEAD RAIL 6300 3,25M WHITE | |
| | 1500603291 | LEAD RAIL 6300 3,50M WHITE | |
| | 1500603292 | LEAD RAIL 6300 3,75M WHITE | |
| | 1500603293 | LEAD RAIL 6300 4,00M WHITE | |
| | 1500603294 | LEAD RAIL 6300 4,25M WHITE | |
| | 1500603295 | LEAD RAIL 6300 4,50M WHITE | |
| | 1500603296 | LEAD RAIL 6300 5,00M WHITE | |
| | 1500603297 | LEAD RAIL 6300 3,25M ANO | |
| | 1500603298 | LEAD RAIL 6300 3,50M ANO | |
| | 1500603299 | LEAD RAIL 6300 3,75M ANO | |
| | 1500603300 | LEAD RAIL 6300 4,00M ANO | |
| | 1500603301 | LEAD RAIL 6300 4,50M ANO | |
| | 1500603302 | LEAD RAIL 6300 5,00M ANO | |
| | 1500603303 | LEAD RAIL 6300 2,60M ANTHR. | |
| | 1500603304 | LEAD RAIL 6300 3,00M ANTHR. | |
| | 1500603305 | LEAD RAIL 6300 3,25M ANTHR. | |
| | 1500603306 | LEAD RAIL 6300 3,50M ANTHR. | |
| | 1500603307 | LEAD RAIL 6300 3,75M ANTHR. | |
| | 1500603308 | LEAD RAIL 6300 4,00M ANTHR. | |
| | 1500603471 | LEAD RAIL 6300 4,25M ANTHR. | |
| | 1500603309 | LEAD RAIL 6300 4,50M ANTHR. | |
| | 1500603310 | LEAD RAIL 6300 5,00M ANTHR. | |
| 4 | 1500603311 | ALU SUPPORT ROLLER TUBE 6300 2,60M | |
| | 1500603312 | ALU SUPPORT ROLLER TUBE 6300 3,00M | |
| | 1500603313 | ALU SUPPORT ROLLER TUBE 6300 3,25M | |
| | 1500603314 | ALU SUPPORT ROLLER TUBE 6300 3,50M | |
| | 1500603315 | ALU SUPPORT ROLLER TUBE 6300 3,75M | |
| | 1500603316 | ALU SUPPORT ROLLER TUBE 6300 4,00M | |
| | 1500603317 | ALU SUPPORT ROLLER TUBE 6300 4,25M | |
| | 1500603318 | ALU SUPPORT ROLLER TUBE 6300 4,50M | |
| | 1500603319 | ALU SUPPORT ROLLER TUBE 6300 5,00M | |
| 5 | 1500602554 | ROLLER TUBE D=30 / 6300 2,60M | |
| | 1500602555 | ROLLER TUBE D=30 / 6300 3.00M | |
| | 1500602556 | ROLLER TUBE D=30 / 6300 3,25M | |
| | 1500602557 | ROLLER TUBE D=30 / 6300 3,50M | |
| | 1500602558 | ROLLER TUBE D=30 / 6300 3,75M | |
| | 1500602559 | ROLLER TUBE D=30 / 6300 4.00M | |
| | 1500602870 | ROLLER TUBE D=30 / 6300 4,25M | |
| | 1500602560 | ROLLER TUBE D=30 / 6300 4.50M | |
| | 1500602871 | ROLLER TUBE D=30 / 6300 5,00M | |
| | 1500602664 | FABRIC 2,60M 6300 32 | |
| | 1500602202 | FABRIC 3,00M 6300 31 | |
| | 1500602203 | FABRIC 3,00M 6300 32 | |
| | 1500603320 | FABRIC 3,25M 6300 31 | |
| | 1500603321 | FABRIC 3,25M 6300 32 | |
| | 1500602204 | FABRIC 3,50M 6300 31 | |
| | 1500602205 | FABRIC 3,50M 6300 32 | |
| | 1500603322 | FABRIC 3,75M 6300 31 | |
| | 1500603323 | FABRIC 3,75M 6300 32 | |
| | 1500602206 | FABRIC 4,00M 6300 31 | |
| | 1500602207 | FABRIC 4,00M 6300 32 | |
| | 1500603324 | FABRIC 4,25M 6300 31 | |
| | 1500603325 | FABRIC 4,25M 6300 32 | |
| | 1500602208 | FABRIC 4,50M 6300 31 | |
| | 1500602209 | FABRIC 4,50M 6300 32 | |
| | 1500603063 | FABRIC 5,00M 6300 31 | |
| | 1500603064 | FABRIC 5,00M 6300 32 | |
| 7 | 1500603326 | L.H. SPRING ARM 6300 2,60M | |
| | 1500603327 | L.H. SPRING ARM 6300 3,0/5,0M | |
| 8 | 1500603328 | R.H. SPRING ARM 6300 2,60M | |

2020 SPARE PARTS LIST

6300



6CA601

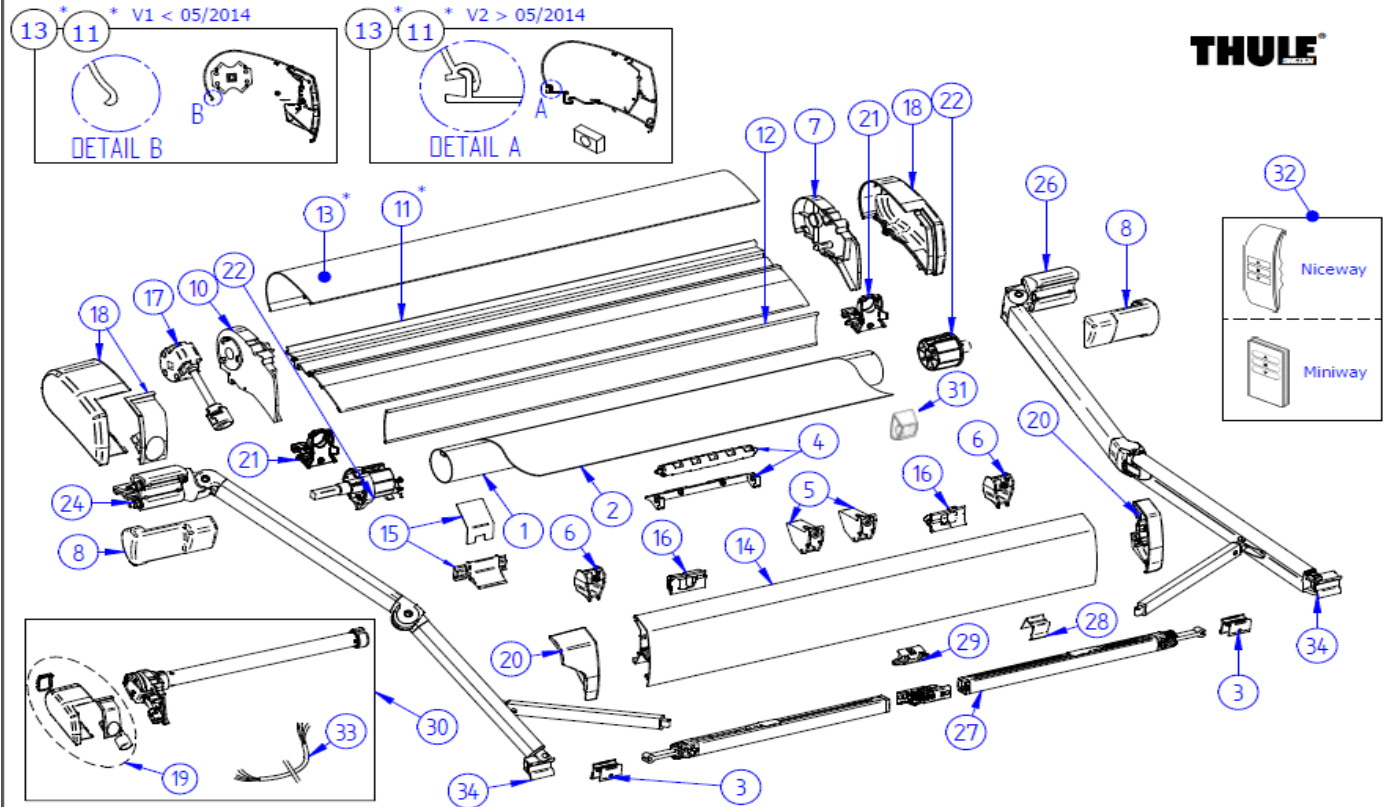
| | | | |
|----|------------|--|--|
| | 1500603329 | R.H. SPRING ARM 6300 3,0/5,0M | |
| 9 | 1500603330 | SUPPORT ARM 6300 2.60M XL | |
| | 1500603331 | SUPPORT ARM 6300 3.00-3,25M | |
| | 1500603332 | SUPPORT ARM 6300 3.50-4.50M | |
| 10 | 1500603333 | LH+RH ENDCAP LEADRAIL 6300 WHITE | |
| | 1500603334 | LH+RH ENDCAP LEADRAIL 6300 ANO | |
| | 1500603335 | LH+RH ENDCAP LEADRAIL 6300 ANTHR. | |
| 11 | 1500603336 | LH+RH ENDCAP MAINHOUSING 6300 WHITE | |
| | 1500603337 | LH+RH ENDCAP MAINHOUSING 6300 ANO | |
| | 1500603338 | LH+RH ENDCAP MAINHOUSING 6300 ANTHR | |
| 12 | 1500602606 | GEAR ASSY+COUPL.FUNN 6200 /6300 | |
| 13 | 1500602811 | ROTATION PLATE 4900/ 5200 / 6200 / 6300 | |
| 14 | 1500603339 | LH+RH ENDPLATE ASSY 6300 WHITE | |
| | 1500603340 | LH+RH ENDPLATE ASSY 6300 ANO | |
| | 1500603341 | LH+RH ENDPLATE ASSY 6300 ANTHR | |
| 15 | 1500602610 | HOUSING CON.PCE TENSION RAFTER 6200 | |
| 16 | 1500602611 | LH + RH ENDCAP ROLLER TUBE 6200 | |
| 17 | 1500602612 | LH + RH COVER SUPPORT SPRING ARM 6200 | |
| 18 | 1500602613 | SPRING & SUPPORT 6200 | |
| 19 | 1500603353 | CENTER SUPPORT ROLLER TUBE 6300 | |
| 20 | 1500603112 | POSIT. BLOCK + TENS. RAFTER HOUSING 6200 1+1PC | |
| 21 | 1500602616 | INSERT LEAD RAIL 6200 2PC | |
| 22 | 1500602502 | ANTI RATTLING SUPPORT ARM 6200/9200 | |
| 23 | 1500603342 | CENTRAL CLAMP SUPPORT ARM 6300 | |
| 24 | 1500603343 | LH & RH CONNECTION SUPPORT ARM 6300 | |
| 25 | 1500603091 | CONN LEAD RAIL 5200 - 2PC | |
| 26 | 1500603344 | LH+RH STOP SPRING ARM 6300 | |
| 27 | 1500603178 | END CAPS COVERS DUCATO | |
| 28 | 302095 | INTEGRATED TENSION ARMS 6300 | |
| 29 | 1500603345 | ENDCAP TENSION ARM L+R 6300 | |
| 31 | 1500603346 | PANEL SET 6300 12V | |
| 32 | 302096 | 12V MOTOR ASSY 5200 WHITE | |
| | 302097 | 12V MOTOR ASSY 5200 ANO | |
| | 302098 | 12V MOTOR ASSY 5200 ANTHR. | |
| 33 | 1500603347 | LH+RH ENDCAP 12V MOTOR 6300 WHITE | |
| | 1500603348 | LH+RH ENDCAP 12V MOTOR 6300 ANO | |
| | 1500603349 | LH+RH ENDCAP 12V MOTOR 6300 ANTHR | |
| 34 | 1500603196 | UPPER CRANK PIN 5200 12V | |
| 35 | 1500600115 | HAND CRANK ASSY LONG | |
| | 1500603195 | HAND CRANK ASSY SHORT 12V | |
| 36 | 1500603350 | PLUG & GEAR COVER WHITE | |
| | 1500603351 | PLUG & GEAR COVER ANO | |
| | 1500603352 | PLUG & GEAR COVER ANTHR. | |
| 37 | 1500603201 | SWITCH 12V MOTOR 6300 | |
| 38 | 1500603354 | EPDM SEALING PROFILE 18MM (2x2,00M) | |
| 39 | 1500603356 | SEALING ROPE LEAD RAIL 6300 | |

2020 SPARE PARTS LIST

9200

THULE
SWEDEN

6AC600



THULE Omnistor 9200

6AC 600-04

| | ART.NR. | DESCRIPTION |
|---|------------|---------------------------------|
| 1 | 1500602617 | ROLLER TUBE D=63 / 9200-4.00M |
| | 1500602618 | ROLLER TUBE D=63 / 9200-4.50M |
| | 1500602417 | ROLLER TUBE D=63 / 9200-5.00M |
| | 1500602418 | ROLLER TUBE D=63 / 9200-5.50M |
| | 1500602419 | ROLLER TUBE D=63 / 9200-6.00M |
| 2 | 1500602420 | FABRIC 4.00M 9200 03 |
| | 1500602421 | FABRIC 4.00M 9200 04 |
| | 1500602422 | FABRIC 4.00M 9200 22 |
| | 1500602423 | FABRIC 4.00M 9200 31 |
| | 1500602424 | FABRIC 4.00M 9200 32 |
| | 1500602425 | FABRIC 4.50M 9200 03 |
| | 1500602426 | FABRIC 4.50M 9200 04 |
| | 1500602427 | FABRIC 4.50M 9200 22 |
| | 1500602428 | FABRIC 4.50M 9200 31 |
| | 1500602429 | FABRIC 4.50M 9200 32 |
| | 1500602430 | FABRIC 5.00M 9200 03 |
| | 1500602431 | FABRIC 5.00M 9200 04 |
| | 1500602432 | FABRIC 5.00M 9200 22 |
| | 1500602433 | FABRIC 5.00M 9200 31 |
| | 1500602434 | FABRIC 5.00M 9200 32 |
| | 1500602435 | FABRIC 5.50M 9200 03 |
| | 1500602436 | FABRIC 5.50M 9200 04 |
| | 1500602437 | FABRIC 5.50M 9200 22 |
| | 1500602438 | FABRIC 5.50M 9200 31 |
| | 1500602439 | FABRIC 5.50M 9200 32 |
| | 1500602440 | FABRIC 6.00M 9200 03 |
| | 1500602441 | FABRIC 6.00M 9200 04 |
| | 1500602442 | FABRIC 6.00M 9200 22 |
| | 1500602443 | FABRIC 6.00M 9200 31 |
| | 1500602444 | FABRIC 6.00M 9200 32 |
| 3 | 1500601602 | LH & RH CONNECTION SUPPORT ARM |
| 4 | 1500602445 | CENTER SUPPORT ROLLER TUBE 9200 |
| 5 | 1500602446 | GLIDING ANGLE LEAD RAIL 9200 |

2020 SPARE PARTS LIST



9200

6AC600

| | | | |
|------------|-----------------------------------|---------------------------------------|--|
| 6 | 1500602447 | INSERT LEAD RAIL 9200 2PC | |
| 7 | 1500602448 | RH ENDPLATE ASSY 9200 | |
| 8 | 1500602449 | LH + RH COVER SUPPORT SPRING ARM 9200 | |
| 10 | 1500602450 | LH ENDPLATE ASSY 9200 | |
| 11 | 1500602812 | BACK HOUSING 9200 4,00M V2 | |
| | 1500602813 | BACK HOUSING 9200 4,50M V2 | |
| | 1500602814 | BACK HOUSING 9200 5,00M V2 | |
| | 1500602815 | BACK HOUSING 9200 5,50M V2 | |
| | 1500602816 | BACK HOUSING 9200 6,00M V2 | |
| 12 | 1500602456 | SUPPORT ROLLER TUBE 9200 4,00M | |
| | 1500602457 | SUPPORT ROLLER TUBE 9200 4,50M | |
| | 1500602458 | SUPPORT ROLLER TUBE 9200 5,00M | |
| | 1500602459 | SUPPORT ROLLER TUBE 9200 5,50M | |
| | 1500602460 | SUPPORT ROLLER TUBE 9200 6,00M | |
| 13V1 | 1500602461 | COVER HOUSING 9200 4,00M WHITE V1 | |
| | 1500602462 | COVER HOUSING 9200 4,50M WHITE V1 | |
| | 1500602463 | COVER HOUSING 9200 5,00M WHITE V1 | |
| | 1500602464 | COVER HOUSING 9200 5,50M WHITE V1 | |
| | 1500602465 | COVER HOUSING 9200 6,00M WHITE V1 | |
| | 1500602466 | COVER HOUSING 9200 4,00M ANO V1 | |
| | 1500602467 | COVER HOUSING 9200 4,50M ANO V1 | |
| | 1500602468 | COVER HOUSING 9200 5,00M ANO V1 | |
| | 1500602469 | COVER HOUSING 9200 5,50M ANO V1 | |
| | 1500602470 | COVER HOUSING 9200 6,00M ANO V1 | |
| | 1500602471 | COVER HOUSING 9200 4,00M CREAM V1 | |
| | 1500602472 | COVER HOUSING 9200 4,50M CREAM V1 | |
| | 1500602473 | COVER HOUSING 9200 5,00M CREAM V1 | |
| | 1500602474 | COVER HOUSING 9200 5,50M CREAM V1 | |
| 1500602475 | COVER HOUSING 9200 6,00M CREAM V1 | | |
| 13V2 | 1500602817 | COVER HOUSING 9200 4,00M WHITE V2 | |
| | 1500602818 | COVER HOUSING 9200 4,50M WHITE V2 | |
| | 1500602819 | COVER HOUSING 9200 5,00M WHITE V2 | |
| | 1500602820 | COVER HOUSING 9200 5,50M WHITE V2 | |
| | 1500602821 | COVER HOUSING 9200 6,00M WHITE V2 | |
| | 1500602822 | COVER HOUSING 9200 4,00M ANO V2 | |
| | 1500602823 | COVER HOUSING 9200 4,50M ANO V2 | |
| | 1500602824 | COVER HOUSING 9200 5,00M ANO V2 | |
| | 1500602825 | COVER HOUSING 9200 5,50M ANO V2 | |
| | 1500602826 | COVER HOUSING 9200 6,00M ANO V2 | |
| | 1500602827 | COVER HOUSING 9200 4,00M CREAM V2 | |
| | 1500602828 | COVER HOUSING 9200 4,50M CREAM V2 | |
| | 1500602829 | COVER HOUSING 9200 5,00M CREAM V2 | |
| | 1500602830 | COVER HOUSING 9200 5,50M CREAM V2 | |
| 1500602831 | COVER HOUSING 9200 6,00M CREAM V2 | | |
| 14 | 1500602476 | LEAD RAIL 9200 4.00M WHITE | |
| | 1500602477 | LEAD RAIL 9200 4.50M WHITE | |
| | 1500602478 | LEAD RAIL 9200 5.00M WHITE | |
| | 1500602479 | LEAD RAIL 9200 5.50M WHITE | |
| | 1500602480 | LEAD RAIL 9200 6.00M WHITE | |
| | 1500602481 | LEAD RAIL 9200 4.00M ANO | |
| | 1500602482 | LEAD RAIL 9200 4.50M ANO | |
| | 1500602483 | LEAD RAIL 9200 5.00M ANO | |
| | 1500602484 | LEAD RAIL 9200 5.50M ANO | |
| | 1500602485 | LEAD RAIL 9200 6.00M ANO | |
| | 1500602486 | LEAD RAIL 9200 4.00M CREAM | |
| | 1500602487 | LEAD RAIL 9200 4.50M CREAM | |
| | 1500602488 | LEAD RAIL 9200 5.00M CREAM | |
| | 1500602489 | LEAD RAIL 9200 5.50M CREAM | |
| 1500602490 | LEAD RAIL 9200 6.00M CREAM | | |
| 15 | 1500602491 | SPRING & SUPPORT 9200 | |
| 16 | 1500601298 | LH & RH GLIDING PIECES TENSION ARMS | |
| 17 | 1500602698 | GEAR ASSY+COUPL.FUNN 9200 | |

2020 SPARE PARTS LIST**THULE**
SWEDEN

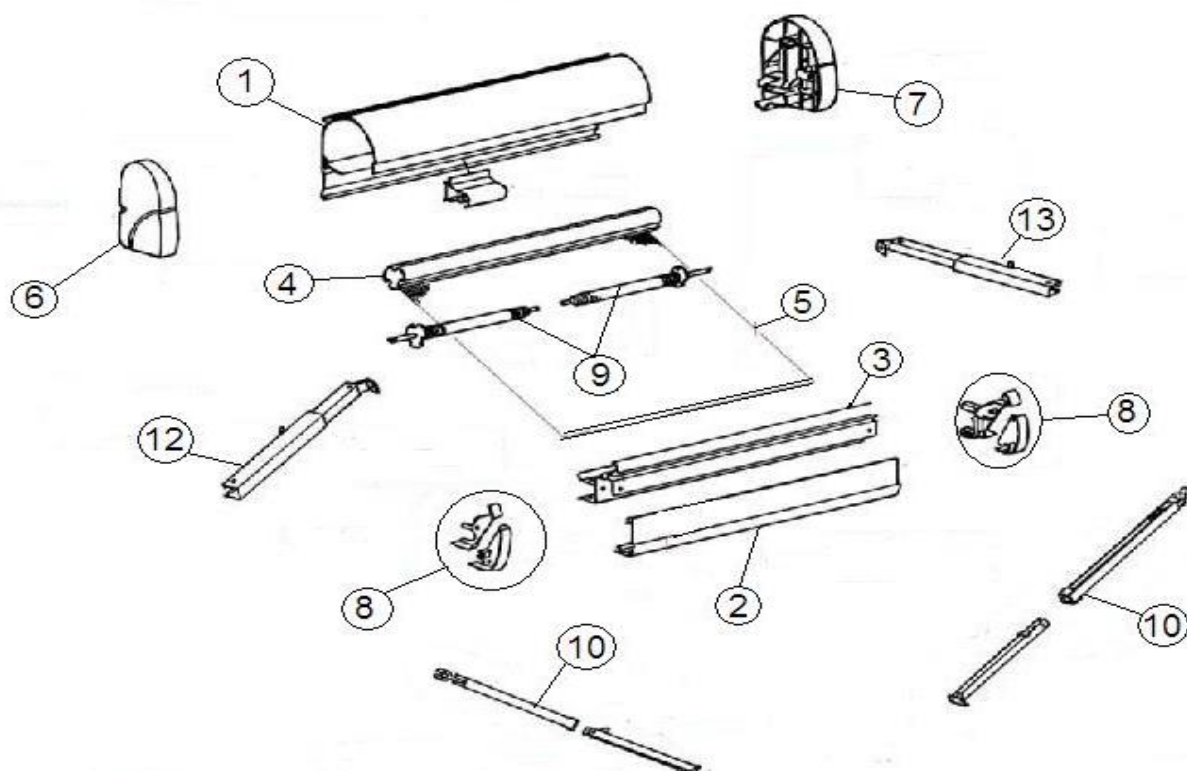
9200

6AC600

| | | | |
|----|------------|--|--|
| 18 | 1500602492 | LH+RH ENDCAP MAINHOUSING 9200 WHITE | |
| | 1500602493 | LH+RH ENDCAP MAINHOUSING 9200 ANO | |
| | 1500602494 | LH+RH ENDCAP MAINHOUSING 9200 CREAM | |
| 19 | 1500603373 | LH ENDCAP MAINHOUSING 9200 220V WHITE | |
| | 1500603374 | LH ENDCAP MAINHOUSING 9200 220V ANO | |
| | 1500603375 | LH ENDCAP MAINHOUSING 9200 220V CREAM | |
| 20 | 1500602495 | LH+RH ENDCAP LEADRAIL 9200 WHITE | |
| | 1500602496 | LH+RH ENDCAP LEADRAIL 9200 ANO | |
| | 1500602497 | LH+RH ENDCAP LEADRAIL 9200 CREAM | |
| 21 | 1500602498 | HOUSING CON.PCE TENSION RAFTER 9200 | |
| 22 | 1500602499 | LH + RH ENDCAP ROLLERTUBE 9200 | |
| 24 | 1500602500 | L.H. SPRING ARM 9200 | |
| 26 | 1500602501 | R.H. SPRING ARM 9200 | |
| 27 | 1500601312 | SUPPORT ARM V2 LARGE | |
| 28 | 1500602502 | ANTI RATTILING SUPPORT ARM 6200/9200 | |
| 29 | 1500601789 | CENTRAL CLAMP SUPPORT ARM V2 | |
| 30 | 302533 | 220V MOTORKIT 9200 WHITE | |
| | 302534 | 220V MOTORKIT 9200 ANO | |
| | 302535 | 220V MOTORKIT 9200 CREAM | |
| 31 | 1500603113 | POSIT. BLOCK + TENS. RAFTER HOUSING 9200 1+1PC | |
| 32 | 1500601129 | REMOTE CONTROL NICEWAY | |
| | 1500603176 | REMOTE CONTROL MINIWAY | |
| 33 | 1500602749 | CABLE 220V MOTOR 9200 5,00M | |
| 34 | 1500602759 | LH+RH CONN.LEAD RAIL 9200 | |
| | 1500602760 | LH+RH STOP SPRING ARM 9200 | |
| 35 | 1500603165 | SEALING TAPE LEAD RAIL | |

2020 SPARE PARTS LIST

2000



| | ART.NR. | DESCRIPTION | |
|------------|----------------------|--------------------------------|--|
| 1 | 1500600742 | MAIN HOUSING 2000 1.90M | |
| | 1500600743 | MAIN HOUSING 2000 2.60M | |
| | 1500600744 | MAIN HOUSING 2000 3.00M | |
| 2 | 1500600745 | COVER LEAD RAIL 2000 1.90M | |
| | 1500600746 | COVER LEAD RAIL 2000 2.60M | |
| | 1500600747 | COVER LEAD RAIL 2000 3.00M | |
| 3 | 1500600748 | INSIDE LEAD RAIL 2000 1.90M | |
| | 1500600749 | INSIDE LEAD RAIL 2000 2.60M | |
| | 1500600750 | INSIDE LEAD RAIL 2000 3.00M | |
| 4 | 1500600751 | ROLLER TUBE 2000 1.90M | |
| | 1500600752 | ROLLER TUBE 2000 2.60M | |
| | 1500600753 | ROLLER TUBE 2000 3.00M | |
| 5 | 1500602325 | FABRIC 1.90M 2000 04 | |
| | 1500600758 | FABRIC 1.90M 2000 22 RAL 9002 | |
| | 1500600759 | FABRIC 1.90M 2000 31 | |
| | 1500602326 | FABRIC 2,60M 2000 04 | |
| | 1500600762 | FABRIC 2,60M 2000 22 RAL 9002 | |
| | 1500600763 | FABRIC 2.60M 2000 31 | |
| | 1500602180 | FABRIC 3,00M 2000 04 | |
| | 1500600767 | FABRIC 3.00M 2000 22 RAL 9002 | |
| 1500600768 | FABRIC 3.00M 2000 31 | | |
| 6 | 1500601196 | LH COVER ASSY OMNISTOR 2000 | |
| 7 | 1500601197 | RH COVER ASSY OMNISTOR 2000 | |
| 8 | 1500601198 | LH+RH END PLATE LEAD RAIL 2000 | |
| 9 | 1500601199 | LH + RH TORSION ASSY 2000 | |
| 10 | 1500601588 | SUPPORT ARM V2 1.90M | |
| | 1500601960 | SUPPORT ARM V2 2.60M XL | |
| | 1500601611 | SUPPORT ARM V2 3.00M | |
| 12 | 1500601323 | LH RAFTER ARM ASSY 1.90M 2000 | |
| | 1500601324 | LH RAFTER ARM ASSY 2.60M 2000 | |
| | 1500601325 | LH RAFTER ARM ASSY 3.00M 2000 | |
| 13 | 1500601326 | RH RAFTER ARM ASSY 2000 1.90M | |

2020 SPARE PARTS LIST

2000



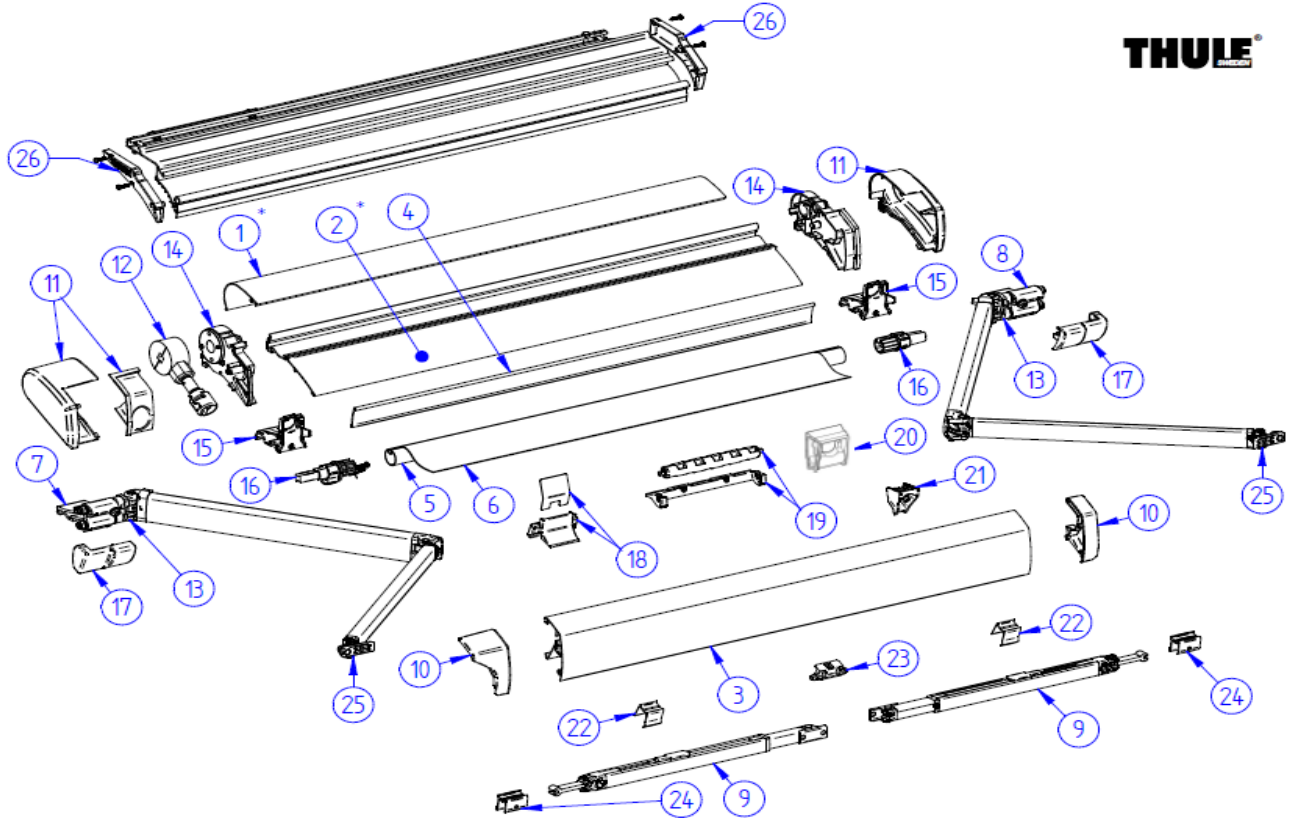
| | | | |
|--|------------|-------------------------------|--|
| | 1500601327 | RH RAFTER ARM ASSY 2000 2.60M | |
| | 1500601328 | RH RAFTER ARM ASSY 2000 3.00M | |

2020 SPARE PARTS LIST
6200 ERIBA TOURING

THULE
SWEDEN

6VA602

THULE
SWEDEN



THULE Omnistor 6200 - Eriba Touring

6VA606-00

| | ART.NR. | DESCRIPTION | |
|----|------------|--|--|
| 1 | 1500603158 | COVER HOUSING 6200 2,80M WHITE V2 | |
| | 1500602834 | COVER HOUSING 6200 3,25M WHITE V2 | |
| 2 | 1500603159 | BACK HOUSING 6200 2,80M V2 | |
| | 1500602853 | BACK HOUSING 6200 3,25M V2 | |
| 3 | 1500603160 | LEAD RAIL 6200 2,80M WHITE | |
| | 1500602531 | LEAD RAIL 6200 3,25M WHITE | |
| 4 | 1500603161 | SUPPORT ROLLER TUBE 6200 2,80M | |
| | 1500602549 | SUPPORT ROLLER TUBE 6200 3,25M | |
| 5 | 1500603162 | ROLLER TUBE D=30 / 6200 2,80M | |
| | 1500602556 | ROLLER TUBE D=30 / 6200 3,25M | |
| 6 | 1500603163 | FABRIC 2,80M 6200 31 | |
| | 1500602574 | FABRIC 3,25M 6200 31 | |
| 7 | 1500602596 | L.H. SPRING ARM 6200 2,60/2,80M | |
| | 1500602597 | L.H. SPRING ARM 6200 3,0/4,5M | |
| 8 | 1500602598 | R.H. SPRING ARM 6200 2,60M/2,80M | |
| | 1500602599 | R.H. SPRING ARM 6200 3,0/4,5M | |
| 9 | 1500601960 | SUPPORT ARM V2 2.60M XL | |
| | 1500601611 | SUPPORT ARM V2 3.00-3,25M | |
| 10 | 1500602600 | LH+RH ENDCAP LEADRAIL 6200 WHITE | |
| 11 | 1500602603 | LH+RH ENDCAP MAINHOUSING 6200 WHITE | |
| 12 | 1500602606 | GEAR ASSY+COUPL.FUNN 6200 | |
| 13 | 1500602811 | ROTATION PLATE 4900 / 6200 | |
| 14 | 1500602607 | LH+RH ENDPLATE ASSY 6200 WHITE | |
| 15 | 1500602610 | HOUSING CON.PCE TENSION RAFTER 6200 | |
| 16 | 1500602611 | LH + RH ENDCAP ROLLER TUBE 6200 | |
| 17 | 1500602612 | LH + RH COVER SUPPORT SPRING ARM 6200 | |
| 18 | 1500602613 | SPRING & SUPPORT 6200 | |
| 19 | 1500602614 | CENTER SUPPORT ROLLER TUBE 6200 | |
| 20 | 1500603112 | POSIT. BLOCK + TENS. RAFTER HOUSING 6200 1+1PC | |
| 21 | 1500602616 | INSERT LEAD RAIL 6200 2PC | |
| 22 | 1500602502 | ANTI RATTLING SUPPORT ARM 6200/9200 | |
| 23 | 1500601789 | CENTRAL CLAMP SUPPORT ARM V2 | |
| 24 | 1500601602 | LH & RH CONNECTION SUPPORT ARM | |

2020 SPARE PARTS LIST

6200 ERIBA TOURING

THULE
SWEDEN

6VA602

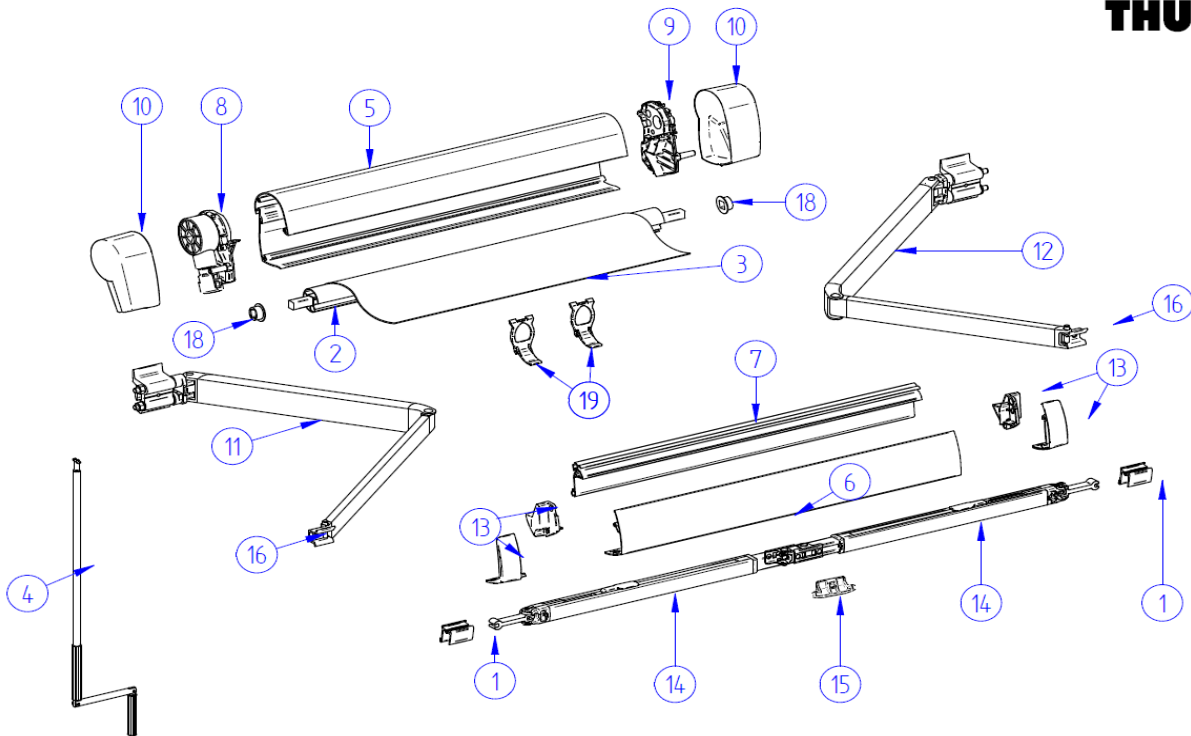
| | | | |
|----|------------|---------------------------------|--|
| 25 | 1500602374 | LH+RH CONN.LEAD RAIL 6200 | |
| | 1500602753 | LH+RH STOP SPRING ARM 6200 | |
| 26 | 1500603164 | END CAPS ROOF ADAPTER ERIBA L&R | |

2020 SPARE PARTS LIST
VW CALIFORNIA

THULE
SWEDEN

VW606

THULE
SWEDEN



THULE Omnistor 5102/VW

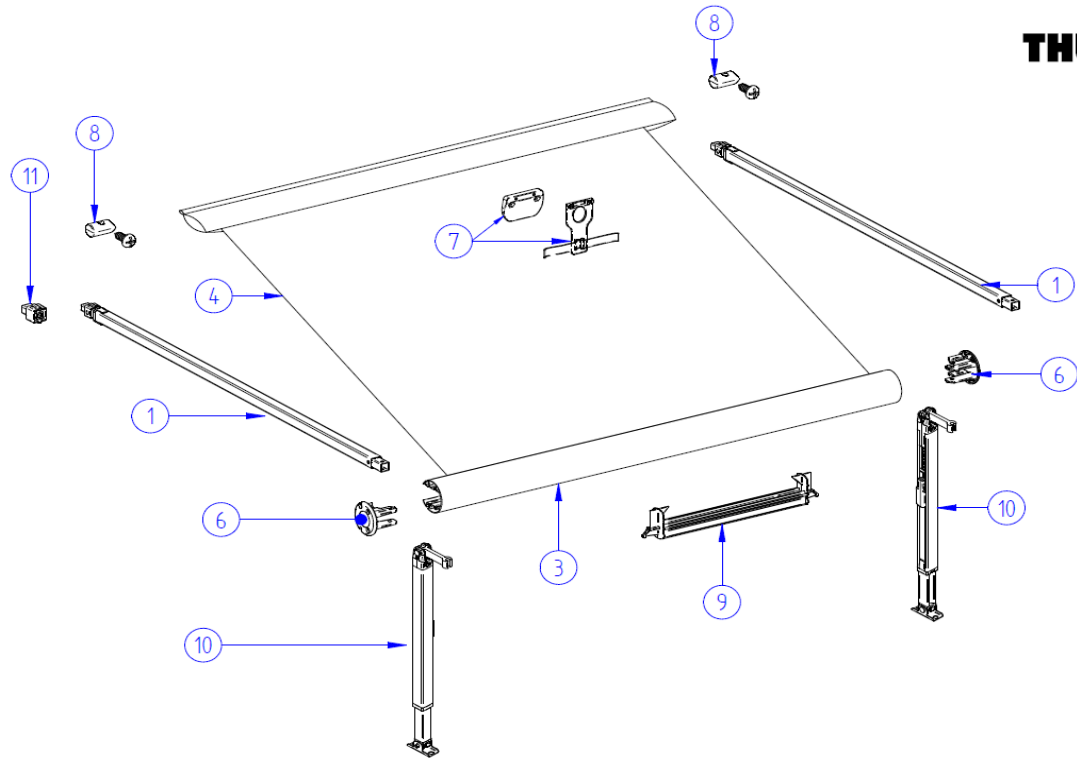
VW 606-02

| | ART.NR. | DESCRIPTION | |
|----|------------|--|--|
| 1 | 1500600296 | CONNECT. SUPP. ARM V97 SERIE 5 | |
| 2 | 1500601954 | ROLLER TUBE ASSY 5102 2.6M | |
| 3 | 1500602356 | FABRIC 2.60M VW T5 SILVER GREY | |
| 4 | 1500601124 | HANDCRANK VW T5 + 5102 | |
| 5 | 1500601689 | MAIN HOUSING VW T5 RAL9006 | |
| | 1500602357 | MAIN HOUSING VW T5 RAL9011 | |
| 6 | 1500601955 | OUTSIDE LEAD RAIL VW T5 RAL9006 | |
| | 1500602358 | OUTSIDE LEAD RAIL VW T5 RAL9011 | |
| 7 | 1500601956 | INSIDE LEAD RAIL VW T5 RAL9006 | |
| | 1500602359 | INSIDE LEAD RAIL VW T5 RAL9011 | |
| 8 | 1500601201 | LH ENDPLATE + GEAR ASSY VW T5 | |
| 9 | 1500601202 | RH ENDPLATE MH VW T5 | |
| 10 | 1500601203 | LH+RH SIDECAP ASSY RAL9006 | |
| | 1500601204 | LH+RH SIDECAP ASSY RAL9011 | |
| 11 | 1500602103 | LH SPRINGARM COMPL 5102 | |
| 12 | 1500602104 | RH SPRINGARM COMPL 5102 | |
| 13 | 1500601206 | LH+RH LEAD RAIL END PLATE ASSY RAL9006 | |
| | 1500601741 | LH+RH LEAD RAIL END PLATE ASSY RAL9011 | |
| 14 | 1500601960 | SUPPORT ARM V2 2.60M XL | |
| 15 | 1500601789 | CENTRAL CLAMP SUPPORT ARM V2 | |
| 16 | 1500601219 | LH+RH CONN.LEAD RAIL | |
| | 1500602754 | LH+RH STOP SPRING ARM 5102 | |
| 18 | 1500602755 | LH+RH ROLLER BEARINGS 5102 | |
| 19 | 1500603403 | POSITIONER SPRING ARM VW 2PC | |

2020 SPARE PARTS LIST CARAVAN STYLE

THULE
SWEDEN

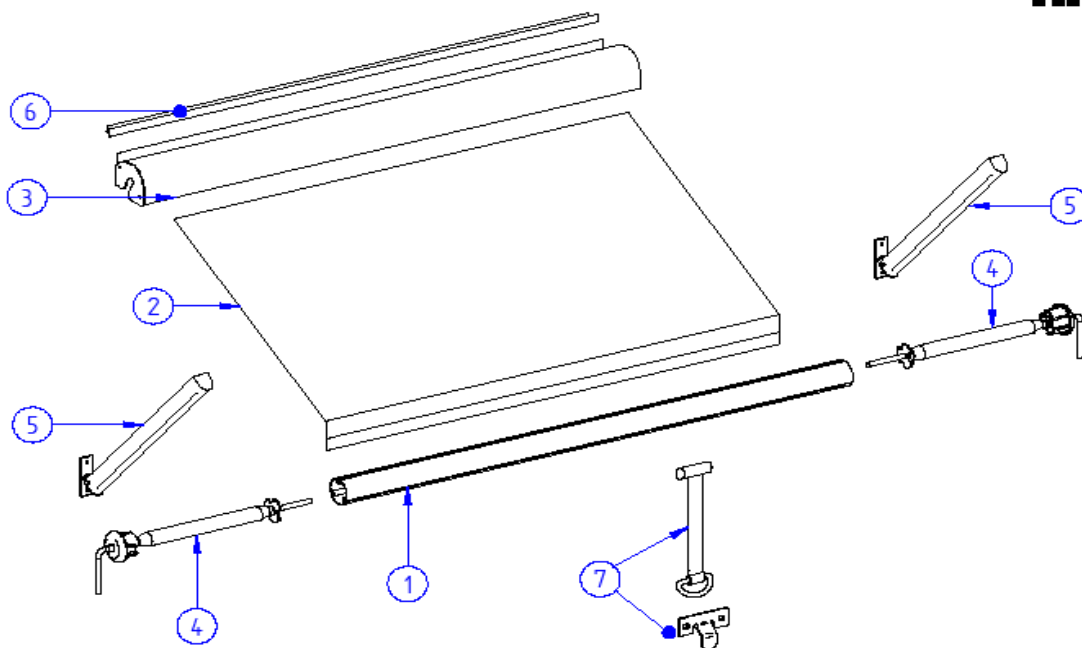
3A602



THULE Omnistor Caravan Style

3A 602-01

| | ART.NR. | DESCRIPTION | |
|----|------------|--|--|
| 1 | 1500602184 | RAFTER ARM ASSY 2,30/2,60 M | |
| | 1500602185 | RAFTER ARM ASSY 3.00/4,50 M | |
| 3 | 1500601808 | ROLLER TUBE CAR STYLE - 2,30M | |
| | 1500601737 | ROLLER TUBE CAR STYLE 2.60M | |
| | 1500600046 | ROLLER TUBE CAR STYLE 3.00M | |
| | 1500601809 | ROLLER TUBE CAR STYLE - 3,50M | |
| | 1500601810 | ROLLER TUBE CAR STYLE - 4,00M | |
| | 1500601470 | ROLLER TUBE CAR STYLE 4.50M | |
| 4 | 1500600062 | FABRIC 2.30M CAR STYLE 03 BL SK | |
| | 1500600063 | FABRIC 2.30M CAR STYLE 04 AL GR | |
| | 1500600064 | FABRIC 2.60M CAR STYLE 03 BL SK | |
| | 1500600065 | FABRIC 2.60M CAR STYLE 04 AL GR | |
| | 1500600066 | FABRIC 3.00M CAR STYLE 03 BL SK | |
| | 1500600067 | FABRIC 3.00M CAR STYLE 04 AL GR | |
| | 1500600069 | FABRIC 3.50M CAR STYLE 03 BL SK | |
| | 1500600070 | FABRIC 3.50M CAR STYLE 04 AL GR | |
| | 1500600071 | FABRIC 4.00M CAR STYLE 03 BL SK | |
| | 1500600072 | FABRIC 4.00M CAR STYLE 04 AL GR | |
| | 1500600073 | FABRIC 4.50M CAR STYLE 03 BL SK | |
| | 1500600074 | FABRIC 4.50M CAR STYLE 04 AL GR | |
| 5 | 308240 | TENSION RFT 2.30M CAR STYLE | |
| 6 | 1500601173 | L+R ENDCAP ROLL.TUBE CAR STYLE | |
| 7 | 1500601174 | TENSION ARM GUARD CAR STYLE 2PCS | |
| 8 | 1500601177 | CARAVAN RAIL BLOCKER SET | |
| 9 | 1500601193 | COUNT.PCE R.TUBE CAR STYLE 2,30M / 3,00M | |
| | 1500601811 | COUNT PCE R.TUBE CAR STYLE 2,60M | |
| | 1500601194 | COUNT.PCE R.TUBE CAR STYLE 3.50M | |
| | 1500601195 | COUNT.PCE R.TUBE CAR STYLE 4.00M | |
| | 1500601812 | COUNT.PCE R.TUBE CAR STYLE 4,50M | |
| 10 | 1500602182 | SUPPORT ARM 2,30/2,60 M | |
| | 1500602183 | SUPPORT ARM 3,00/4,50M | |
| 11 | 1500602810 | TOP CAP RAFTER CAR.STYLE - 2PC | |



THULE Omnistor W150

WA 606

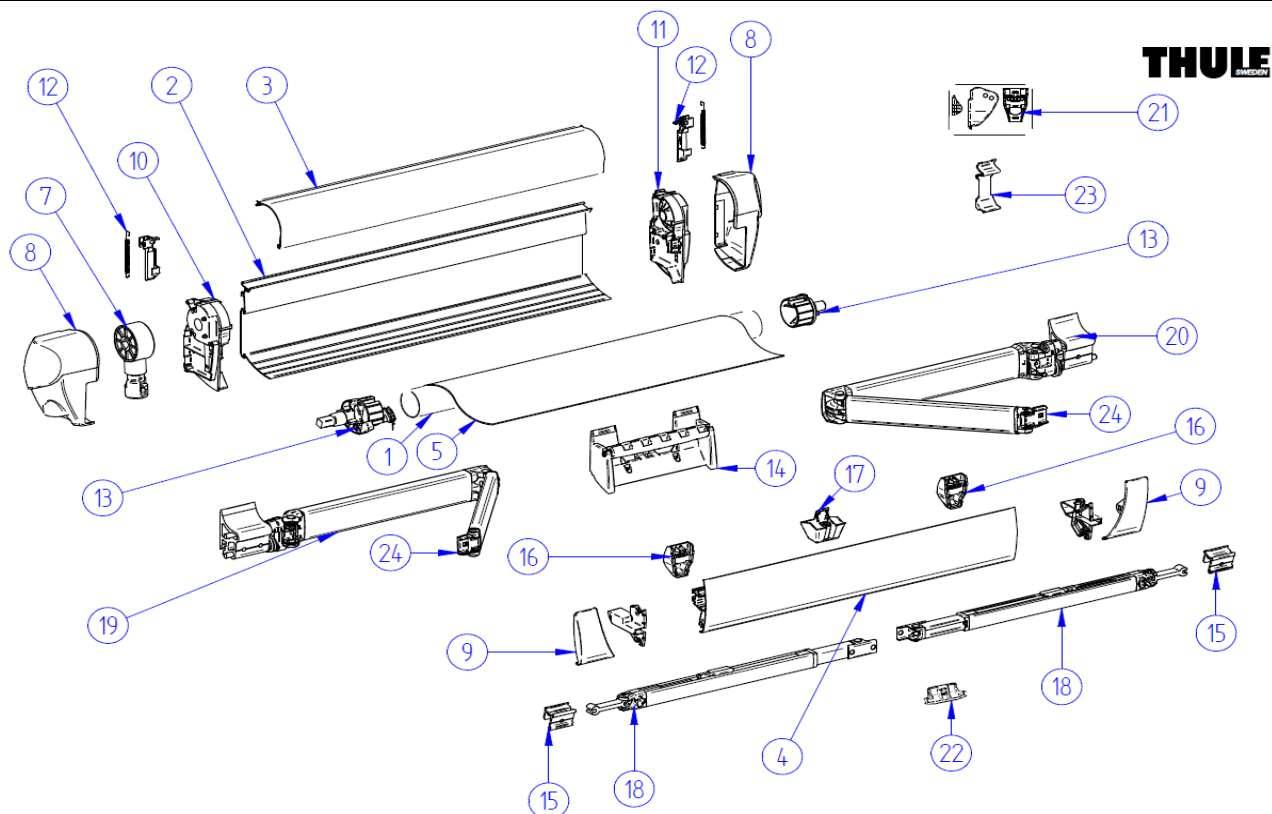
| | ART.NR. | DESCRIPTION | | |
|------------|------------|---------------------------------|---------------------------------|--|
| 1 | 1500601804 | ROLLER TUBE W150 - 1,00M | | |
| | 1500601805 | ROLLER TUBE W150 - 1,20M | | |
| | 1500601806 | ROLLER TUBE W150 - 1,40M | | |
| | 1500601454 | ROLLER TUBE WA 1.85M | | |
| | 1500601807 | ROLLER TUBE W150 - 2,85M | | |
| | 2 | 1500601813 | FABRIC W150 1,00M 03 | |
| | | 1500600011 | FABRIC W150 1,00M 04 | |
| 1500600012 | | FABRIC W150 1,00M 13 SCREEN | | |
| 1500601814 | | FABRIC W150 1,20M 03 | | |
| 1500601536 | | FABRIC W150 1.20M 04 | | |
| 1500600018 | | FABRIC W150 1,20M 13 SCREEN | | |
| 1500601815 | | FABRIC W150 1,40M 03 | | |
| 1500600024 | | FABRIC W150 1,40M 04 | | |
| 1500600025 | | FABRIC W150 1,40M 13 SCREEN | | |
| 1500601787 | | FABRIC W150 1,85M 03 | | |
| 1500600030 | | FABRIC W150 1,85M 04 | | |
| 1500600031 | | FABRIC W150 1,85M 13 SCREEN | | |
| 1500601819 | | FABRIC W150 2,85M 03 | | |
| 1500601820 | | FABRIC W150 2,85M 04 | | |
| 1500600036 | | FABRIC W150 2,85M 13 SCREEN | | |
| 3 | | 1500600041 | HOUSING & RAIL PROF. W150 1.00M | |
| | | 1500601455 | HOUSING & RAIL PROF. W150 1.20M | |
| | 1500601822 | HOUSING & RAIL PROF. W150 1.40M | | |
| | 1500601456 | HOUSING & RAIL PROF. W150 1,85M | | |
| | 1500601823 | HOUSING & RAIL PROF. W150 2,85M | | |
| 4 | 1500601190 | LH + RH TORSION ASSY W150 | | |
| 5 | 1500601191 | LH & RH SUPPORT ARM W150 | | |
| 6 | 1500601824 | ADAPTER W150 (2PCS) | | |
| 7 | 1500601192 | STRAP & STRAP HANGER W150 | | |

2020 SPARE PARTS LIST

5003

THULE
SWEDEN

5AF611



THULE Omnistor 5003

5AF611-01

| | ART.NR. | DESCRIPTION | |
|------------|--------------------------------|--------------------------------|--|
| 1 | 1500601790 | ROLLER TUBE 48 5002/5003 -1.9M | |
| | 1500601791 | ROLLER TUBE 48 5002/5003 -2.3M | |
| | 1500601792 | ROLLER TUBE 48 5002/5003 -2.6M | |
| | 1500601793 | ROLLER TUBE 48 5002/5003 -3.0M | |
| | 1500601794 | ROLLER TUBE 48 5002/5003 -3.5M | |
| | 1500601795 | ROLLER TUBE 52 5003 -4.00M | |
| | 1500601796 | ROLLER TUBE 52 5003 -4.50M | |
| 2 | 1500601546 | MAIN HOUSING 5003 1.90M | |
| | 1500601547 | MAIN HOUSING 5003 2.30M | |
| | 1500601548 | MAIN HOUSING 5003 2.60M | |
| | 1500601549 | MAIN HOUSING 5003 3.00M | |
| | 1500601550 | MAIN HOUSING 5003 3.50M | |
| | 1500601551 | MAIN HOUSING 5003 4.00M | |
| | 1500601552 | MAIN HOUSING 5003 4.50M | |
| | 1500601567 | MAIN HOUSING 5003 ANO 1.90M | |
| | 1500601568 | MAIN HOUSING 5003 ANO 2.30M | |
| | 1500601569 | MAIN HOUSING 5003 ANO 2.60M | |
| | 1500601570 | MAIN HOUSING 5003 ANO 3.00M | |
| | 1500601571 | MAIN HOUSING 5003 ANO 3.50M | |
| | 1500601572 | MAIN HOUSING 5003 ANO 4.00M | |
| | 1500601573 | MAIN HOUSING 5003 ANO 4.50M | |
| | 1500602683 | MAIN HOUSING 5003 ANTHR. 2.60M | |
| | 1500602684 | MAIN HOUSING 5003 ANTHR. 3.00M | |
| | 1500602685 | MAIN HOUSING 5003 ANTHR. 3.50M | |
| 1500602686 | MAIN HOUSING 5003 ANTHR. 4.00M | | |
| 3 | 1500601553 | ROOF HOUSING 5003 1.90M | |
| | 1500601554 | ROOF HOUSING 5003 2.30M | |
| | 1500601555 | ROOF HOUSING 5003 2.60M | |
| | 1500601556 | ROOF HOUSING 5003 3.00M | |
| | 1500601557 | ROOF HOUSING 5003 3.50M | |
| | 1500601558 | ROOF HOUSING 5003 4.00M | |
| | 1500601559 | ROOF HOUSING 5003 4.50M | |

2020 SPARE PARTS LIST

5003



5AF611

| | | | |
|---|------------|--------------------------------|--|
| | 1500601574 | ROOF HOUSING 5003 ANO 1.90M | |
| | 1500601575 | ROOF HOUSING 5003 ANO 2.30M | |
| | 1500601576 | ROOF HOUSING 5003 ANO2.60M | |
| | 1500601577 | ROOF HOUSING 5003 ANO 3.00M | |
| | 1500601578 | ROOF HOUSING 5003 ANO 3.50M | |
| | 1500601579 | ROOF HOUSING 5003 ANO 4.00M | |
| | 1500601580 | ROOF HOUSING 5003 ANO 4.50M | |
| | 1500602687 | ROOF HOUSING 5003 ANTHR. 2.60M | |
| | 1500602688 | ROOF HOUSING 5003 ANTHR. 3.00M | |
| | 1500602689 | ROOF HOUSING 5003 ANTHR. 3.50M | |
| | 1500602690 | ROOF HOUSING 5003 ANTHR. 4.00M | |
| 4 | 1500601560 | LEAD RAIL 5003 1.90M | |
| | 1500601561 | LEAD RAIL 5003 2.30M | |
| | 1500601562 | LEAD RAIL 5003 2.60M | |
| | 1500601563 | LEAD RAIL 5003 3.00M | |
| | 1500601564 | LEAD RAIL 5003 3.50M | |
| | 1500601565 | LEAD RAIL 5003 4.00M | |
| | 1500601566 | LEAD RAIL 5003 4.50M | |
| | 1500601581 | LEAD RAIL 5003 ANO 1.90M | |
| | 1500601582 | LEAD RAIL 5003 ANO 2.30M | |
| | 1500601583 | LEAD RAIL 5003 ANO 2.60M | |
| | 1500601584 | LEAD RAIL 5003 ANO 3.00M | |
| | 1500601585 | LEAD RAIL 5003 ANO 3.50M | |
| | 1500601586 | LEAD RAIL 5003 ANO 4.00M | |
| | 1500601587 | LEAD RAIL 5003 ANO 4.50M | |
| | 1500602691 | LEAD RAIL 5003 ANTHR. 2.60M | |
| | 1500602692 | LEAD RAIL 5003 ANTHR. 3.00M | |
| | 1500602693 | LEAD RAIL 5003 ANTHR. 3.50M | |
| | 1500602694 | LEAD RAIL 5003 ANTHR. 4.00M | |
| 5 | 1500601617 | FABRIC 1.90M 5003 03 BL SK | |
| | 1500601618 | FABRIC 1.90M 5003 04 AL GR | |
| | 1500601622 | FABRIC 1.90M 5003 22 RAL 9002 | |
| | 1500601624 | FABRIC 1.90M 5003 31 MY GR | |
| | 1500601625 | FABRIC 1.90M 5003 32 SA BL | |
| | 1500601626 | FABRIC 2.30M 5003 03 BL SK | |
| | 1500601627 | FABRIC 2.30M 5003 04 AL GR | |
| | 1500601631 | FABRIC 2.30M 5003 22 RAL 9002 | |
| | 1500601633 | FABRIC 2.30M 5003 31 MY GR | |
| | 1500601634 | FABRIC 2.30M 5003 32 SA BL | |
| | 1500601635 | FABRIC 2.60M 5003 03 BL SK | |
| | 1500601636 | FABRIC 2.60M 5003 04 AL GR | |
| | 1500601640 | FABRIC 2.60M 5003 22 RAL9002 | |
| | 1500601642 | FABRIC 2.60M 5003 31 MY GR | |
| | 1500601643 | FABRIC 2.60M 5003 32 SA BL | |
| | 1500601644 | FABRIC 3.00M 5003 03 BL SK | |
| | 1500601645 | FABRIC 3.00M 5003 04 AL GR | |
| | 1500601649 | FABRIC 3.00M 5003 22 RAL9002 | |
| | 1500601651 | FABRIC 3.00M 5003 31 MY GR | |
| | 1500601652 | FABRIC 3.00M 5003 32 SA BL | |
| | 1500601653 | FABRIC 3.50M 5003 03 BL SK | |
| | 1500601654 | FABRIC 3.50M 5003 04 AL GR | |
| | 1500601658 | FABRIC 3.50M 5003 22 RAL9002 | |
| | 1500601660 | FABRIC 3.50M 5003 31 MY GR | |
| | 1500601661 | FABRIC 3.50M 5003 32 SA BL | |
| | 1500601662 | FABRIC 4.00M 5003 03 BL SK | |
| | 1500601663 | FABRIC 4.00M 5003 04 AL GR | |
| | 1500601667 | FABRIC 4.00M 5003 22 RAL 9002 | |
| | 1500601669 | FABRIC 4.00M 5003 31 MY GR | |
| | 1500601670 | FABRID 4.00M 5003 32 SA BL | |
| | 1500601671 | FABRIC 4.50M 5003 03 BL SK | |
| | 1500601672 | FABRIC 4.50M 5003 04 AL GR | |
| | 1500601676 | FABRIC 4.50M 5003 22 RAL 9002 | |

2020 SPARE PARTS LIST

5003



5AF611

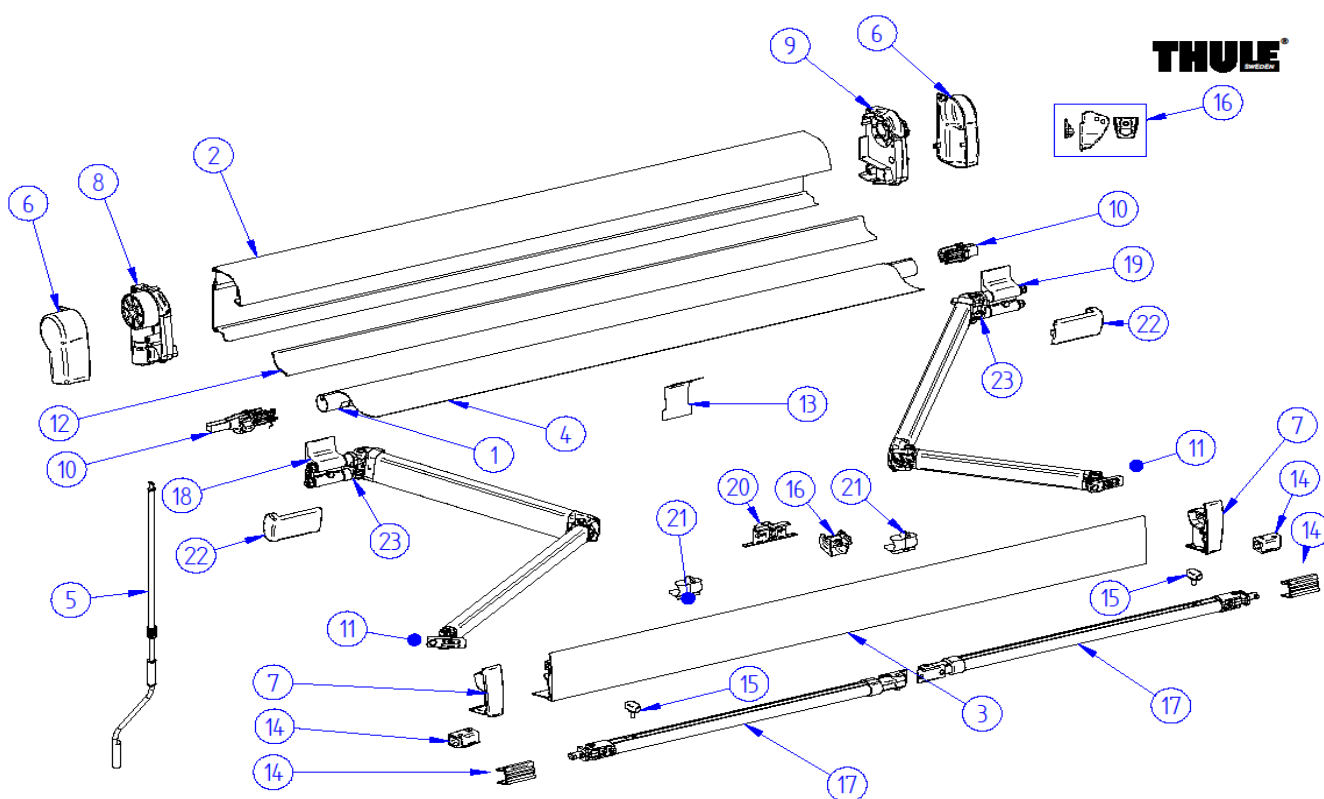
| | | | |
|----|------------|---|--|
| | 1500601678 | FABRIC 4.50M 5003 31 MY GR | |
| | 1500601679 | FABRIC 4.50M 5003 32 SA BL | |
| 6 | 1500601207 | HAND CRANK ASSY SHORT | |
| 7 | 1500601221 | GEAR ASSY+COUPL.FUNN 5003 | |
| 8 | 1500601589 | LH+RH ENDCAP MAINHOUSING 5003 | |
| | 1500601590 | LH + RH ENDC MAINHOUS 5003 ANO | |
| | 1500602695 | LH + RH ENDC MAINHOUS 5003 ANTHR. | |
| 9 | 1500601591 | LH+RH ENDCAP LEADRAIL 5003 | |
| | 1500601592 | LH+RH ENDCAP LEADRAIL 5003 ANO | |
| | 1500602696 | LH+RH ENDCAP LEADRAIL 5003 ANTHR. | |
| 10 | 1500601594 | LH ENDPLATE ASSY 5003 | |
| 11 | 1500601595 | RH ENDPLATE ASSY 5003 | |
| 12 | 1500601237 | LH+RH LOCK ASSY 5003 | |
| 13 | 1500601597 | LH+RH ENDCAP ROLLER TUBE D52 (4,00-4,50M) | |
| | 1500601267 | LH+RH ENDCAP ROLLER TUBE D48 (<3,50M) | |
| 14 | 1500601598 | SUPPORT ROLLER TUBE 5003 | |
| 15 | 1500601602 | LH+RH CONN SUPPORT ARM 5003 | |
| 16 | 1500601606 | INSERT LEAD RAIL 5003 2PC | |
| 17 | 1500601607 | GLIDING ANGLE LEAD RAIL | |
| 18 | 1500601588 | SUPPORT ARM V2 1.90M | |
| | 1500601609 | SUPPORT ARM V2 2.30M | |
| | 1500601960 | SUPPORT ARM V2 2.60M XL | |
| | 1500601611 | SUPPORT ARM V2 3.00M | |
| | 1500601612 | SUPPORT ARM V2 3.50-4.50M | |
| 19 | 1500602074 | L.H. SPRING ARM COMPL. 5003 - 1,90M | |
| | 1500602076 | L.H. SPRING ARM COMPL. 5003 - 2,30M | |
| | 1500602078 | L.H. SPRING ARM COMPL. 5003 - 2,60M | |
| | 1500602080 | L.H. SPRING ARM COMPL. 5003 ≥3,00M | |
| 20 | 1500602075 | R.H. SPRING ARM COMPL. 5003 - 1,90M | |
| | 1500602077 | R.H. SPRING ARM COMPL. 5003 - 2,30M | |
| | 1500602079 | R.H. SPRING ARM COMPL. 5003 - 2,60M | |
| | 1500602081 | R.H. SPRING ARM COMPL. 5003 ≥3,00M | |
| 21 | 1500601608 | CONNECTION PCS TENS RAFT 5003 | |
| 22 | 1500601789 | CENTRAL CLAMP SUPPORT ARM V2 | |
| 23 | 1500602327 | POSITIONER SPRING ARM - 2PC | |
| 24 | 1500601601 | LH+RH CONN LEAD RAIL 5003 | |
| | 1500602756 | LH+RH STOP SPRING ARM 5003 | |

2020 SPARE PARTS LIST

TRISTOR²

THULE
SWEDEN

4AY602



THULE Omnistor 4900 & Tristor²

4AY602-04

| | ART.NR. | DESCRIPTION | | |
|------------|---------------------------------------|---|--|--|
| 1 | 1500602186 | ROLLER TUBE D=30X0.8MM / TRISTOR ² -3.00M | | |
| | 1500602187 | ROLLER TUBE D=30X0.8MM / TRISTOR ² -3.50M | | |
| | 1500602188 | ROLLER TUBE D=30X0.8MM / TRISTOR ² -4.00M | | |
| | 1500602189 | ROLLER TUBE D=30X0.8MM / TRISTOR ² -4.50M | | |
| 2 | 1500602190 | MAINHOUSING TRISTOR ² 3M00 WHITE | | |
| | 1500602191 | MAINHOUSING TRISTOR ² 3M50 WHITE | | |
| | 1500602192 | MAINHOUSING TRISTOR ² 4M00 WHITE | | |
| | 1500602193 | MAINHOUSING TRISTOR ² 4M50 WHITE | | |
| | 1500602198 | MAINHOUSING TRISTOR ² 3M00 ANO | | |
| | 1500602199 | MAINHOUSING TRISTOR ² 3M50 ANO | | |
| | 1500602200 | MAINHOUSING TRISTOR ² 4M00 ANO | | |
| | 1500602201 | MAINHOUSING TRISTOR ² 4M50 ANO | | |
| | 3 | 1500602194 | LEADRAIL TRISTOR ² 3M00 WHITE | |
| | | 1500602195 | LEADRAIL TRISTOR ² 3M50 WHITE | |
| 1500602196 | | LEADRAIL TRISTOR ² 4M00 WHITE | | |
| 1500602197 | | LEADRAIL TRISTOR ² 4M50 WHITE | | |
| 1500602248 | | LEADRAIL TRISTOR ² 3M00 ANO | | |
| 1500602249 | | LEADRAIL TRISTOR ² 3M50 ANO | | |
| 1500602250 | | LEADRAIL TRISTOR ² 4M00 ANO | | |
| 1500602251 | | LEADRAIL TRISTOR ² 4M50 ANO | | |
| 4 | 1500602202 | FABRIC 3M00 4900 31 | | |
| | 1500602237 | FABRIC 3M00 TRISTOR ² BLUE | | |
| | 1500602204 | FABRIC 3M50 4900 31 | | |
| | 1500602239 | FABRIC 3M50 TRISTOR ² BLUE | | |
| | 1500602206 | FABRIC 4M00 4900 31 | | |
| | 1500602241 | FABRIC 4M00 TRISTOR ² BLUE | | |
| | 1500602208 | FABRIC 4M50 4900 31 | | |
| 1500602243 | FABRIC 4M50 TRISTOR ² BLUE | | | |
| 5 | 1500602210 | HAND CRANK SMALL G2 | | |
| 6 | 1500602211 | LH + RH ENDCAP MAINHOUSING TRISTOR ² WHITE | | |
| | 1500602212 | LH + RH ENDCAP MAINHOUSING TRISTOR ² ANO | | |
| 7 | 1500602213 | LH + RH ENDCAP LEADRAIL TRISTOR ² WHITE | | |

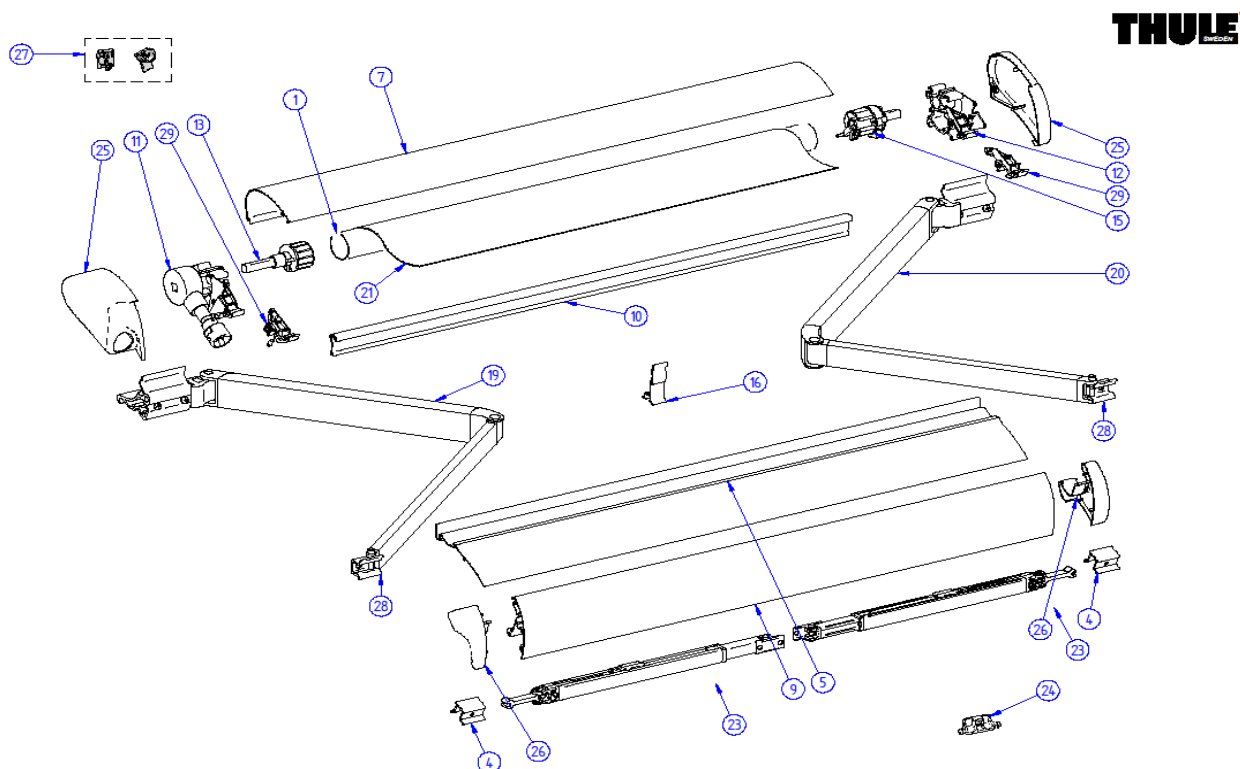
2020 SPARE PARTS LIST



TRISTOR²

4AY602

| | | | |
|----|------------|--|--|
| | 1500602214 | LH + RH ENDCAP LEADRAIL TRISTOR ² ANO | |
| 8 | 1500602215 | LH ENDPLATE ASSY TRISTOR ² WHITE | |
| | 1500602216 | LH ENDPLATE ASSY TRISTOR ² ANO | |
| 9 | 1500602217 | RH ENDPLATE ASSY TRISTOR ² WHITE | |
| | 1500602218 | RH ENDPLATE ASSY TRISTOR ² ANO | |
| 10 | 1500602219 | LH + RH ENDCAP ROLLERTUBE TRISTOR ² | |
| 11 | 1500602374 | LH+RH CONN LEAD RAIL TRISTOR ² | |
| | 1500602753 | LH+RH STOP SPRING ARM TRISTOR ² | |
| 12 | 1500602284 | SUPPORT ROLLER TUBE TRISTOR ² 3M00 | |
| | 1500602285 | SUPPORT ROLLER TUBE TRISTOR ² 3M50 | |
| | 1500602221 | SUPPORT ROLLER TUBE TRISTOR ² 4M00 | |
| | 1500602222 | SUPPORT ROLLER TUBE TRISTOR ² 4M50 | |
| 13 | 1500602223 | SPRING SUPPORT ROLLER TUBE TRISTOR ² | |
| 14 | 1500602224 | CONNECTION SUPPORT ARM TRISTOR ² | |
| 15 | 1500602225 | KNOB SUPPORT ARM OVAL (2PCS) | |
| 16 | 1500602226 | CONNECTION PCS TENSION RAFTER TRISTOR ² | |
| 17 | 1500602227 | SUPPORT LEG OVAL 3M00 | |
| | 1500602228 | SUPPORT LEG OVAL 3M50-4M50 | |
| 18 | 1500602244 | L.H. SPRING ARM TRISTOR ² 3,0/3,5M | |
| | 1500602245 | L.H. SPRING ARM TRISTOR ² 4,0/4,5M | |
| 19 | 1500602246 | R.H. SPRING ARM TRISTOR ² 3,0/3,5M | |
| | 1500602247 | R.H. SPRING ARM TRISTOR ² 4,0/4,5M | |
| 20 | 1500602233 | CENTRAL CLAMP SUPPORT ARM OVAL | |
| 21 | 1500602234 | CLIP SUPPORT ARM OVAL TRISTOR ² | |
| 22 | 1500602235 | LH + RH COVER SPRING ARM BR. TRISTOR ² | |
| 23 | 1500602811 | ROTATION PLATE 4900 / 6200 | |



THULE Omnistor 6002

6T663-03

| | ART.NR. | DESCRIPTION | |
|---|------------|--------------------------------------|--|
| 1 | 1500601876 | ROLLER TUBE 48 6002 -2,6M | |
| | 1500601877 | ROLLER TUBE 48 6002 -3,0M | |
| | 1500601878 | ROLLER TUBE 48 6002 -3,25M | |
| | 1500601879 | ROLLER TUBE 48 6002 -3,5M | |
| | 1500601880 | ROLLER TUBE 48 6002 -3,75M | |
| | 1500602343 | ROLLER TUBE 48 6002 -4,00M | |
| 2 | 1500601131 | PLANET. GEAR REPL.KIT(DIN CON) | |
| 3 | 1500600115 | HAND CRANK ASSY LONG | |
| 4 | 1500600741 | CONN.SUPP.ARM S6 | |
| 5 | 1500601881 | BACK HOUSING 6002 - 2.60 M | |
| | 1500600953 | BACK HOUSING 6002 - 3,00 M | |
| | 1500601754 | BACK HOUSING 6002 - 3,25 M | |
| | 1500601729 | BACK HOUSING 6002 - 3,50 M | |
| | 1500601882 | BACK HOUSING 6002 - 3,75 M | |
| | 1500602329 | BACK HOUSING 6002 - 4,00 M | |
| 7 | 1500600954 | COVER MAIN HOUSING 6002-2.60M | |
| | 1500600955 | COVER MAIN HOUSING 6002-3.00M | |
| | 1500601748 | COVER MAIN HOUSING 6002 3.25M | |
| | 1500600956 | COVER MAIN HOUSING 6002-3.50M | |
| | 1500600957 | COVER MAIN HOUSING 6002-3.75M | |
| | 1500602330 | COVER MAIN HOUSING 6002-4.00M | |
| | 1500601907 | COVER MAIN HOUSING 6002 - 3.25M ANTH | |
| | 1500601908 | COVER MAIN HOUSING 6002 - 3,50M ANTH | |
| | 1500601909 | COVER MAIN HOUSING 6002 - 3,75M ANTH | |
| | 1500602331 | COVER MAIN HOUSING 6002 - 4,00M ANTH | |
| | 1500601687 | COVER MAIN HOUSING 6002 - 3.25M ANO | |
| | 1500601911 | COVER MAIN HOUSING 6002 - 3,50M ANO | |
| | 1500601912 | COVER MAIN HOUSING 6002 - 3,75M ANO | |
| | 1500602332 | COVER MAIN HOUSING 6002-4 .00M ANO | |
| 9 | 1500601893 | LEAD RAIL 6002 - 2.60 M | |

2020 SPARE PARTS LIST

6002



6T663

| | | | |
|----|------------|---------------------------------|---------------|
| | 1500601894 | LEAD RAIL 6002 - 3.00 M | |
| | 1500601762 | LEAD RAIL 6002 - 3.25M | |
| | 1500600959 | LEAD RAIL 6002 - 3.50M | |
| | 1500600960 | LEAD RAIL 6002 - 3.75M | |
| | 1500602333 | LEAD RAIL 6002 - 4.00 M | |
| | 1500601744 | LEAD RAIL 6002 - 3.25M ANTH | |
| | 1500601910 | LEAD RAIL 6002 - 3.50M ANTH | |
| | 1500601738 | LEAD RAIL 6002 - 3.75M ANTH | |
| | 1500602334 | LEAD RAIL 6002 - 4.00 M ANTH | |
| | 1500601913 | LEAD RAIL 6002 - 3.25M ANO | |
| | 1500601014 | LEAD RAIL 6002 - 3.50M ANO | |
| | 1500601015 | LEAD RAIL 6002 - 3.75M ANO | |
| | 1500602335 | LEAD RAIL 6002 - 4.00 M ANO | |
| 10 | 1500601895 | SUPPORTING PROFILE 6002 2,60 M | |
| | 1500600961 | SUPPORTING PROFILE 6002 3,00 M | |
| | 1500601896 | SUPPORTING PROFILE 6002 3,25 M | |
| | 1500601897 | SUPPORTING PROFILE 6002 3,50 M | |
| | 1500600962 | SUPPORTING PROFILE 6002 3,75 M | |
| | 1500602336 | SUPPORTING PROFILE 6002 4,00 M | |
| 11 | 1500600964 | LH MAIN HOUSING END PLATE 6002 | not available |
| | 1500602606 | GEAR ASSY+COUPL.FUNN 6200 /6300 | |
| 12 | 1500600965 | RH MAIN HOUSING END PLATE 6002 | |
| 13 | 1500600966 | LH ROLLER TUBE ASSY M6002 | |
| 15 | 1500600968 | RH ROLLER TUBE ASSY 6002 | |
| 16 | 1500600969 | SUPPORT FABR.PROT.PROF. 6002 | |
| 19 | 1500602070 | LH SPRING ARM ASSY 2.60M | |
| | 1500602072 | LH SPRING ARM ASSY ≥3,00M | |
| 20 | 1500602071 | RH SPRING ARM ASSY 2.60M | |
| | 1500602073 | RH SPRING ARM ASSY ≥3,00M | |
| 21 | 1500600979 | FABRIC 2.60M 6002 03 | |
| | 1500600980 | FABRIC 2.60M 6002 04 | |
| | 1500600984 | FABRIC 2.60M 6002 22 RAL 9002 | |
| | 1500601898 | FABRIC 6002 - 2.60M 31 | |
| | 1500601899 | FABRIC 6002 - 2.60M 32 | |
| | 1500600986 | FABRIC 3.00M 6002 03 | |
| | 1500600987 | FABRIC 3.00M 6002 04 | |
| | 1500600992 | FABRIC 3.00M 6002 22 RAL 9002 | |
| | 1500601733 | FABRIC 3.00M 6002 31 | |
| | 1500601900 | FABRIC 6002 - 3,00M 32 | |
| | 1500601009 | FABRIC 3.25M 6002 03 | |
| | 1500601010 | FABRIC 3.25M 6002 04 | |
| | 1500601904 | FABRIC 6002 - 3,25M 22 RAL 9002 | |
| | 1500601905 | FABRIC 6002 - 3,25 M 31 | |
| | 1500601906 | FABRIC 6002 - 3,25 M 32 | |
| | 1500600994 | FABRIC 3.50M 6002 03 | |
| | 1500600995 | FABRIC 3.50M 6002 04 | |
| | 1500601000 | FABRIC 3.50M 6002 22 RAL 9002 | |
| | 1500601901 | FABRIC 6002 - 3,50 M 31 | |
| | 1500601743 | FABRIC 3.50M 6002 32 | |
| | 1500601002 | FABRIC 3.75M 6002 03 | |
| | 1500601003 | FABRIC 3.75M 6002 04 | |
| | 1500601007 | FABRIC 3.75M 6002 22 RAL 9002 | |
| | 1500601902 | FABRIC 6002 - 3,75 M 31 | |
| | 1500601903 | FABRIC 6002 - 3,75 M 32 | |
| | 1500602337 | FABRIC 4.00M 6002 03 | |
| | 1500602338 | FABRIC 4.00M 6002 04 | |
| | 1500602339 | FABRIC 4.00M 6002 22 RAL 9002 | |
| | 1500602340 | FABRIC 4.00M 6002 31 | |

2020 SPARE PARTS LIST

6002

6T663

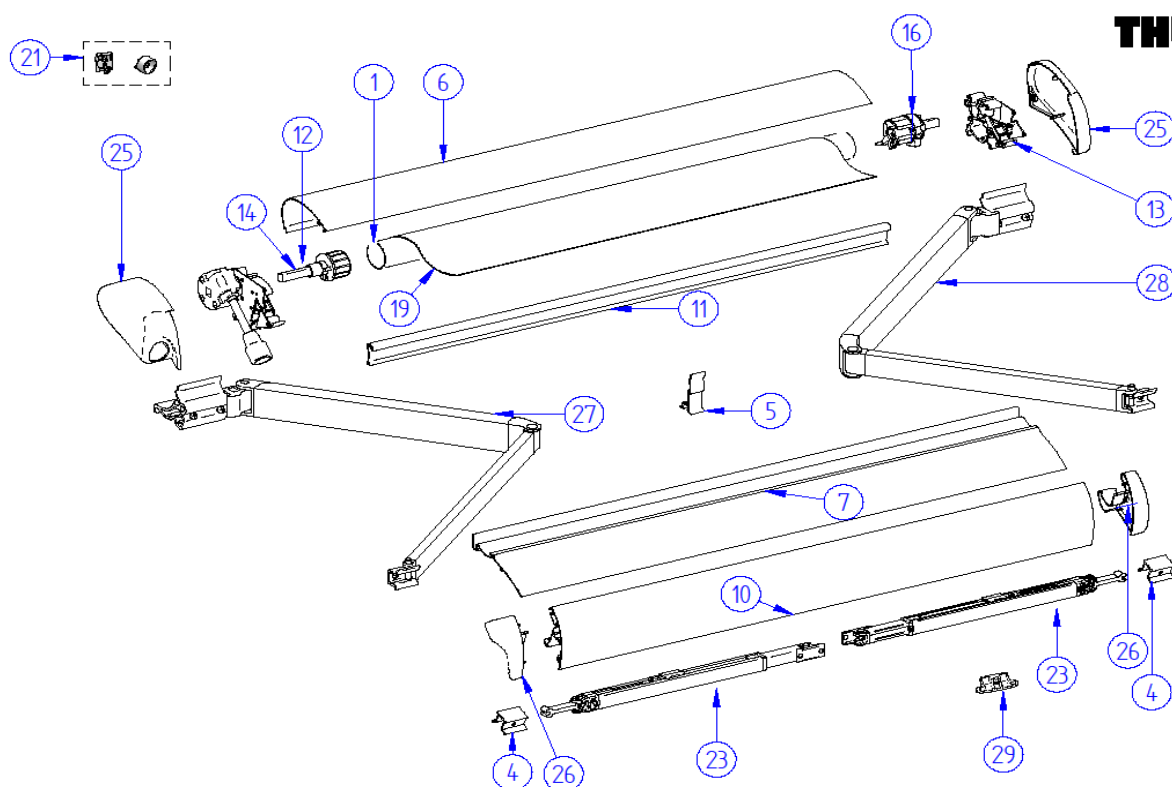
| | | | |
|----|------------|-------------------------------------|--|
| | 1500602341 | FABRIC 4.00M 6002 32 | |
| 23 | 1500601960 | SUPPORT ARM V2 2.60M XL | |
| | 1500601611 | SUPPORT ARM V2 3.00-3,25M | |
| | 1500601612 | SUPPORT ARM V2 3.50-4.50M | |
| 24 | 1500601789 | CENTRAL CLAMP SUPPORT ARM V2 | |
| 25 | 1500601367 | LH.+RH. SIDECAP 6002 | |
| | 1500601369 | L+R SIDECAP 6002-ANTHRACITE | |
| | 1500601371 | L+R SIDECAP 6002-ANO | |
| 26 | 1500601368 | LH+RH LEAD RAIL END PLATE 6002 | |
| | 1500601370 | L+R LEADRAIL ENDCAP 6002 ANTR. | |
| | 1500601372 | L+R LEADRAIL ENDCAP 6002 - ANO | |
| 27 | 1500601158 | CON.PCE TENSION RAFTER 6002 | |
| 28 | 1500600975 | CONNECTION LEAD RAIL LH+RH SERIES 6 | |
| 29 | 1500601527 | LH + RH LOCK 6002 | |

2020 SPARE PARTS LIST

6502 & 6900

THULE
SWEDEN

6TM600



THULE Omnistor 6900

6TM 600-01

| | ART.NR. | DESCRIPTION | |
|------------|------------|--|--------------------------|
| 1 | 1500601798 | ROLLER TUBE D70 4,00M | |
| | 1500601799 | ROLLER TUBE D70 4,50M | |
| | 1500601800 | ROLLER TUBE D70 5,00M | |
| | 1500601801 | ROLLER TUBE D70 5,50M | |
| 3 | 1500600115 | HAND CRANK ASSY LONG | |
| 4 | 1500600741 | CONN.SUPP. ARM S6 | |
| 5 | 1500600969 | SUPPORT FABR.PROT.PROF. 6002 | |
| 6 | 1500601464 | COVER MAIN HOUSING 6900 4.00M | |
| | 1500601018 | COVER MAIN HOUSING 6900 4.50M | |
| | 1500601542 | COVER MAIN HOUSING 6900 5.00M | |
| | 1500601783 | COVER MAIN HOUSING 6900 5,50M | |
| | 1500601926 | COVER MAIN HOUSING 6900 4.00M ANO | |
| | 1500601765 | COVER MAIN HOUSING 6900 4.50M ANO | |
| | 1500601752 | COVER MAIN HOUSING 6900 5.00M ANO | |
| | 1500601929 | COVER MAIN HOUSING 6900 5,50M ANO | |
| | 1500602312 | COVER MAIN HOUSING 6900 4,00 M RAL9002 | |
| | 1500602313 | COVER MAIN HOUSING 6900 4,50 M RAL9002 | |
| | 1500602314 | COVER MAIN HOUSING 6900 5,00 M RAL9002 | |
| | 1500602315 | COVER MAIN HOUSING 6900 5,50 M RAL9002 | |
| | 7 | 1500601016 | BACK HOUSING 6900 4,00 M |
| 1500601930 | | BACK HOUSING 6900 4,50 M | |
| 1500601931 | | BACK HOUSING 6900 5,00 M | |
| 1500601932 | | BACK HOUSING 6900 5,50 M | |
| 10 | 1500601020 | LEAD PROFILE 6900 4.00M | |
| | 1500601022 | LEAD PROFILE 6900 4.50M | |
| | 1500601024 | LEAD PROFILE 6900 5,00M | |
| | 1500601025 | LEAD PROFILE 6900 5,50M | |
| | 1500601021 | LEAD PROFILE 6900 4.00M ANO | |
| | 1500601023 | LEAD PROFILE 6900 4.50M ANO | |
| | 1500601027 | LEAD PROFILE 6900 5,00M ANO | |
| | 1500601684 | LEAD PROFILE 6900 5,50M ANO | |
| | 1500602320 | LEAD RAIL 6900 - 4,00 M RAL9002 | |

2020 SPARE PARTS LIST

6502 & 6900



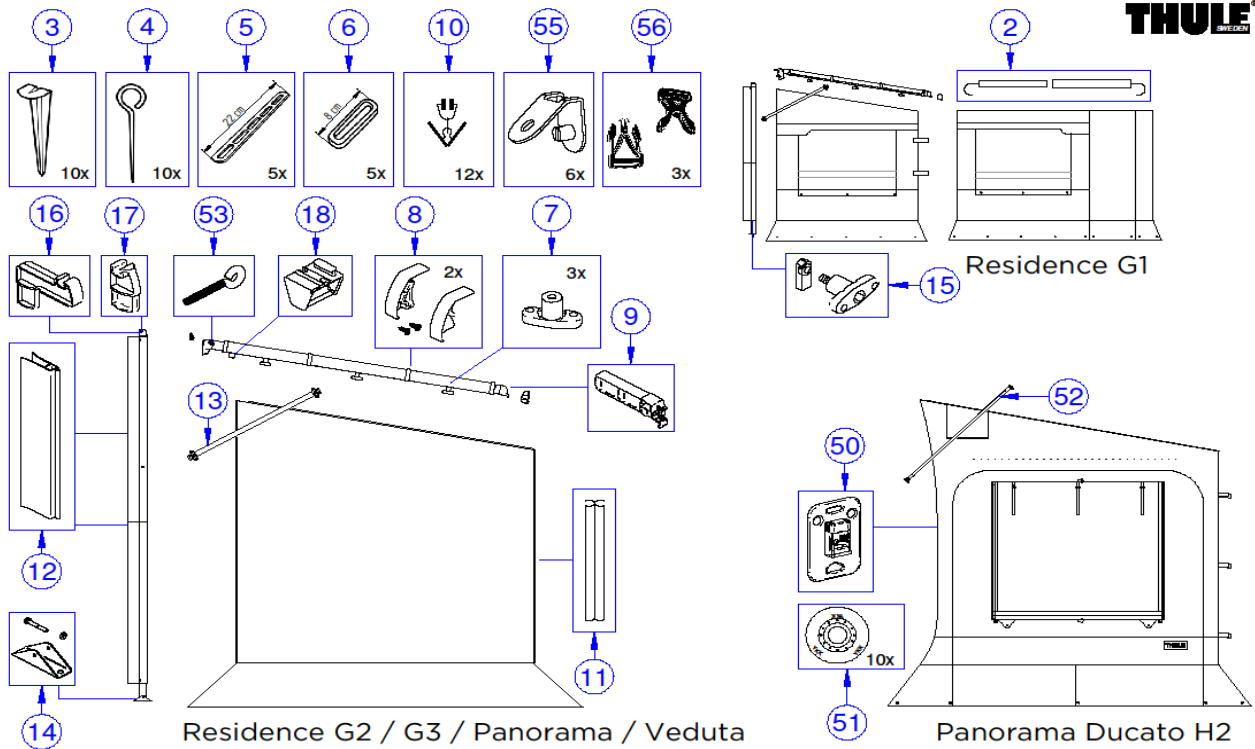
6TM600

| | | | |
|----|------------|---------------------------------------|--|
| | 1500602321 | LEAD RAIL 6900 - 4,50 M RAL9002 | |
| | 1500602322 | LEAD RAIL 6900 - 5,00 M RAL9002 | |
| | 1500602323 | LEAD RAIL 6900 - 5,50 M RAL9002 | |
| 11 | 1500601026 | SUPPORTING PROF. 6900 4,00M | |
| | 1500601943 | SUPPORTING PROF. 6900 4,50M | |
| | 1500601944 | SUPPORTING PROF. 6900 5,00M | |
| | 1500601945 | SUPPORTING PROF. 6900 5,50M | |
| 12 | 1500601028 | LH SIDEPL.+GEAR ASSY 6900 | |
| 13 | 1500601029 | RH SIDEPLATE ASSY 6900 | |
| 14 | 1500601030 | LH ROL.TUBE END CAP D63 ASSY 6900 | |
| | 1500602065 | L.H.+R.H. ENDCAP ROLLER TUBE D70 6900 | |
| 16 | 1500601032 | RH ROLLER TUBE D63 ASSY 6900 | |
| | 1500602065 | L.H.+R.H. ENDCAP ROLLER TUBE D70 6900 | |
| 19 | 1500601096 | FABRIC 4.00M 6900 03 | |
| | 1500601097 | FABRIC 4.00M 6900 04 | |
| | 1500601101 | FABRIC 4.00M 6900 22 RAL 9002 | |
| | 1500601946 | FABRIC 4.00M 6900 31 | |
| | 1500601947 | FABRIC 4.00M 6900 32 | |
| | 1500601103 | FABRIC 4.50M 6900 03 | |
| | 1500601104 | FABRIC 4.50M 6900 04 | |
| | 1500601108 | FABRIC 4.50M 6900 22 RAL 9002 | |
| | 1500601948 | FABRIC 4.50M 6900 31 | |
| | 1500601949 | FABRIC 4.50M 6900 32 | |
| | 1500601110 | FABRIC 5.00M 6900 03 | |
| | 1500601111 | FABRIC 5.00M 6900 04 | |
| | 1500601115 | FABRIC 5.00M 6900 22 RAL 9002 | |
| | 1500601950 | FABRIC 5.00M 6900 31 | |
| | 1500601951 | FABRIC 5.00M 6900 32 | |
| | 1500601117 | FABRIC 5.50M 6900 03 | |
| | 1500601118 | FABRIC 5.50M 6900 04 | |
| | 1500601122 | FABRIC 5.50M 6900 22 RAL 9002 | |
| | 1500601952 | FABRIC 5.50M 6900 31 | |
| | 1500601953 | FABRIC 5.50M 6900 32 | |
| 21 | 1500601159 | CONNECTION PIECE TR 6502/6900 | |
| 22 | 1500600975 | CONNECTION LEAD RAIL LH+RH SERIES 6 | |
| 23 | 1500601312 | SUPPORT ARM V2 LARGE | |
| 25 | 1500601373 | LH & RH SIDECAP 6900 | |
| | 1500601375 | LH & RH SIDECAP 6900 ANO | |
| | 1500602309 | LH & RH SIDECAP 6900 RAL9002 | |
| 26 | 1500601374 | LH & RH LEADRAIL ENDCAP 6900 | |
| | 1500601376 | LH & RH LEADRAIL ENDCAP 6900 ANO | |
| | 1500602310 | LH & RH LEADRAIL ENDCAP 6900 RAL9002 | |
| 27 | 1500602068 | L.H. SPRING ARM COMPL. 6900 | |
| 28 | 1500602069 | R.H. SPRING ARM COMPL. 6900 | |
| 29 | 1500601789 | CENTRAL CLAMP SUPPORT ARM V2 | |

2020 SPARE PARTS LIST
RESIDENCE & PANORAMA & VEDUTA

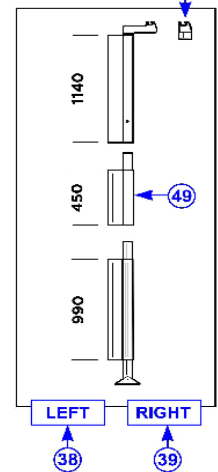
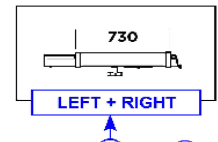
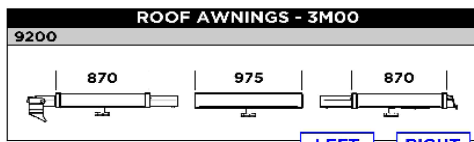
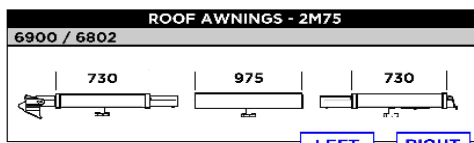
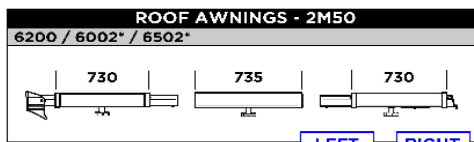
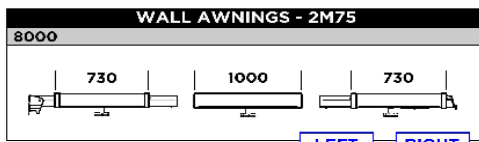
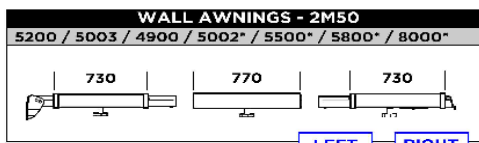
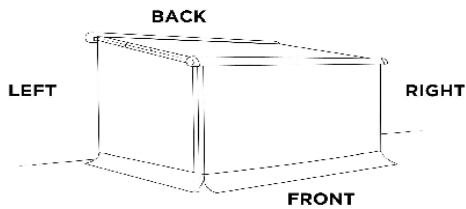


RES600 / SRS601 / SRS602



THULE Residence / Panorama / Veduta

RES600-01

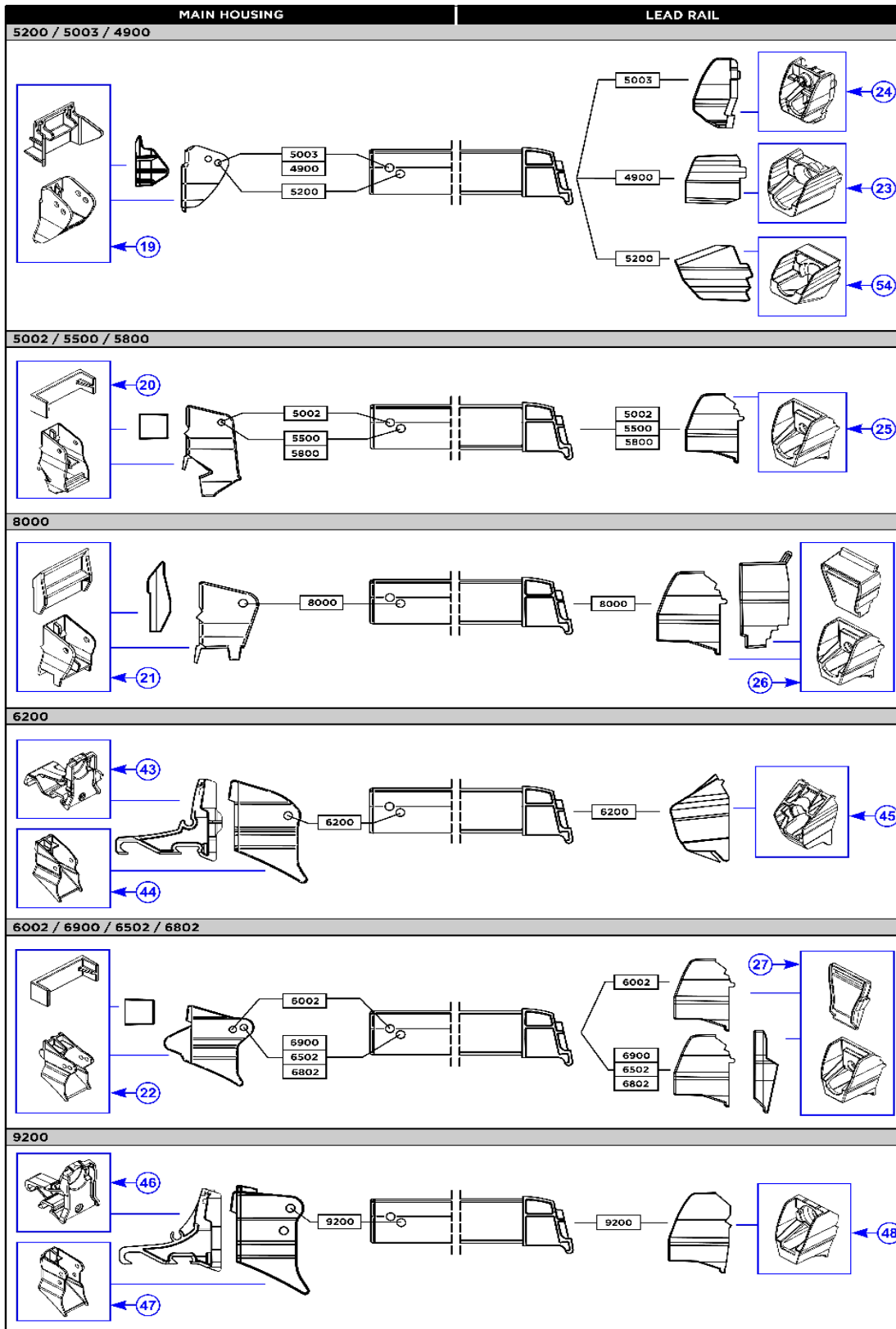


* Connection pieces not included. See sparepartdrawing SRS601.

THULE Residence / Panorama / Veduta

SRS602-03

2020 SPARE PARTS LIST
RESIDENCE & PANORAMA & VEDUTA



2020 SPARE PARTS LIST

RESIDENCE & PANORAMA & VEDUTA



RES600 / SRS601 / SRS602

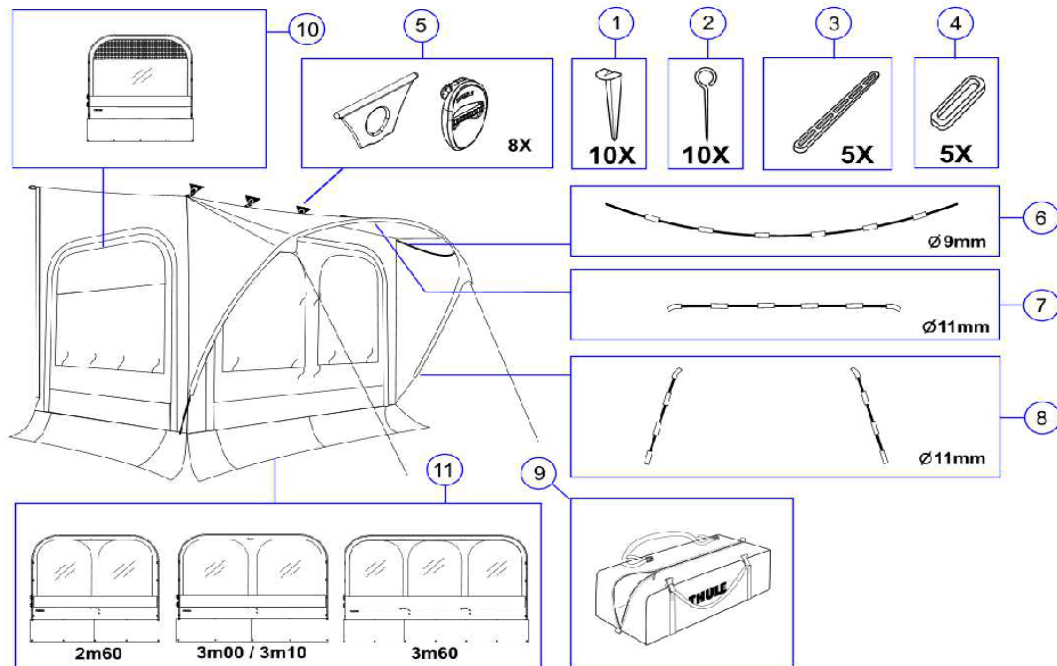
| | ART.NR. | DESCRIPTION |
|----|------------|---|
| 1 | 1500601178 | BUCKLE 16MM WHITE - 5 PCS |
| 2 | 1500600119 | WINDOW TUBE ASSY |
| 3 | 1500601169 | TENT PEG HALF ROUND - 10PCS |
| 4 | 1500601171 | GROUNDSHEET PEG - 10PCS |
| 5 | 1500601167 | MULTI POSITION RUBBER 20CM - 5PCS |
| 6 | 1500602154 | ELASTIC BAND 8CM - 5PCS |
| 7 | 1500601182 | NUT KNOB M6 GREY SAFARI RESIDENCE - 3PCS |
| 8 | 1500601181 | COVER CLAMP PROFILE 2L+2R |
| 9 | 1500602155 | END PIECE TENSION RAFTER CLAMP |
| 10 | 1500601161 | CURTAIN HOLDER - 12PCS |
| 11 | 1500602029 | CONNECTING PROFILE GREY - 1,00M (RESI G1/G2 & PANORAMA) |
| | 1500603145 | CONNECTING PROFILE BLACK - 1,00M (RESIDENCE G3) |
| 12 | 1500600139 | CLOSING PROFILE MAST L= 1140 MM |
| 13 | 1500600138 | SUPPORT PROFILE SAFARI RESIDENCE |
| 14 | 1500602775 | FOOT PIECE MAST SAFARI RESIDENCE 13 2PCS |
| 15 | 1500601400 | FIXATION SYSTEM MAST RESIDENCE |
| 16 | 1500601189 | END PIECE MAST SAFARI RESIDENCE 8000 |
| 17 | 1500601179 | END PIECE MAST SAFARI RESIDENCE |
| 18 | 1500601187 | MAST HOLDER SAFARI RESIDENCE S6+8000 |
| 19 | 1500601682 | POSIT. PIECE + TR HOLDER 5003 |
| 20 | 1500601180 | POSITIONING BLOCK + TENSION RAFTER HOUSING S5 |
| 21 | 1500601188 | POSITIONING BLOCK + TENSION RAFTER HOUSING 8000 |
| 22 | 1500601184 | POSITIONING BLOCK + TENSION RAFTER HOUSING S6 |
| 23 | 1500602156 | INSERT LR 4900 |
| 24 | 1500601683 | INSERT LR 5003 + END PIECE TR CLAMP |
| 25 | 1500601183 | END PIECE TENSION RAFTER CLAMP + INSERT SR S5 |
| 26 | 1500601186 | END PIECE TENSION RAFTER CLAMP + INSERT SR 8000 |
| 27 | 1500601185 | END PIECE TENSION RAFTER CLAMP + INSERT SR S6 |
| 30 | 1500602157 | CLAMPING PROFILE 5 SERIES - 2M50 - LEFT |
| 31 | 1500602158 | CLAMPING PROFILE 5 SERIES - 2M50 - RIGHT |
| 32 | 1500602159 | CLAMPING PROFILE 6 SERIES - 2M50 - LEFT |
| 33 | 1500602160 | CLAMPING PROFILE 6 SERIES - 2M50 - RIGHT |
| 34 | 1500602161 | CLAMPING PROFILE 6 SERIES - 2M75 - LEFT |
| 35 | 1500602162 | CLAMPING PROFILE 6 SERIES - 2M75 - RIGHT |
| 36 | 1500602163 | CLAMPING PROFILE 8000 - 2M75 - LEFT |
| 37 | 1500602164 | CLAMPING PROFILE 8000 - 2M75 - RIGHT |
| 38 | 1500602165 | MAST PROFILE - LEFT |
| 39 | 1500602166 | MAST PROFILE - RIGHT |
| 40 | 1500602762 | CLAMPING PROFILE 9200 - 3M00 - LEFT |
| 41 | 1500602763 | CLAMPING PROFILE 9200 - 3M00 - RIGHT |
| 42 | 1500602673 | LH+RH CLAMPING PROFILE UPGRADE |
| 43 | 1500602610 | HOUSING CON.PCE TENSION RAFTER 6200 |
| 44 | 1500602776 | TENSION RAFTER HOUSING 6200 |
| 45 | 1500602616 | INSERT LEAD RAIL 6200 2PC |
| 46 | 1500602498 | HOUSING CON.PCE TENSION RAFTER 9200 |
| 47 | 1500602777 | TENSION RAFTER HOUSING 9200 |
| 48 | 1500602447 | INSERT LEAD RAIL 9200 2PC |
| 49 | 1500602778 | LH & RH MAST PROFILE EXTENTION XXL |
| 50 | 1500602794 | FOOT DISK PANORAMA DUCATO H2 (X2) |
| 51 | 1500602795 | FLEX BASE SNAD STUD 25MM TRANS (X10) |
| 52 | 1500602796 | SUPPORT PROFILE PANORAMA DUCATO H2 |
| 53 | 1500602797 | EYE BOLT (X2) |
| 54 | 1500603076 | INSERT LEAD RAIL 5200 2PC |
| 55 | 1500603146 | CURTAIN STOP 6PCS |
| 56 | 1500602967 | SIDE RELEASE BUCKLE + STRAP 40CM - 3 PCS |
| 57 | 1500603355 | TRANSFORMATION KIT RESIDENCE RAFTER 6300 |

2020 SPARE PARTS LIST

QUICKFIT / EASYLINK

THULE
SWEDEN
SLW601

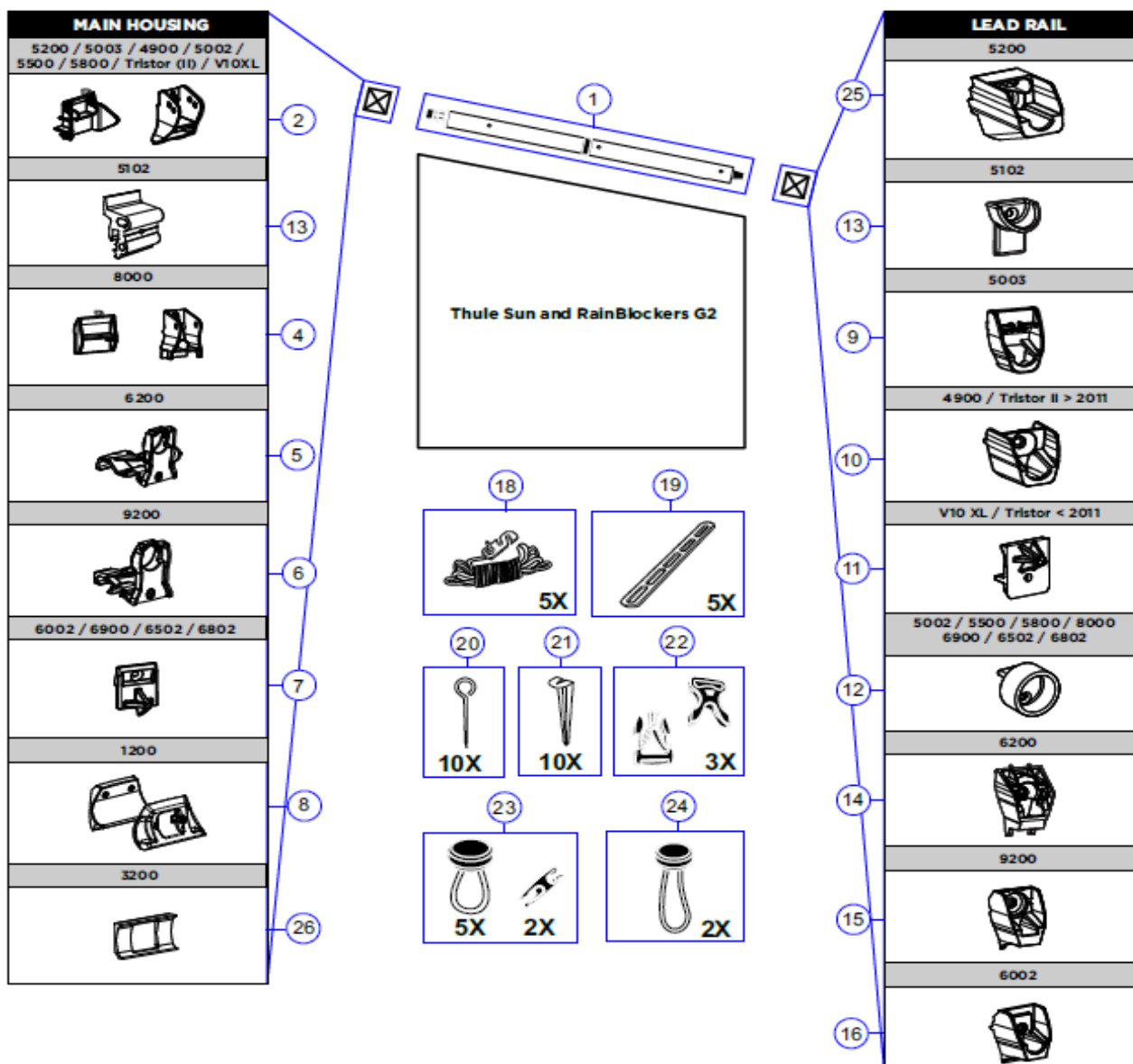
THULE
SWEDEN



THULE QuickFit

SLW601-02

| | ART.NR. | DESCRIPTION | |
|----|------------|---|--|
| 1 | 1500601169 | TENT PEG HALF ROUND (X10) | |
| 2 | 1500601171 | GROUND SHEET PEG (X10) | |
| 3 | 1500601167 | MULTI POSITION RUBBER 20CM (X5) | |
| 4 | 1500602154 | ELASTIC BAND 8CM (X5) | |
| 5 | 1500602779 | FIXATION PIECES LEAD RAIL (X8) | |
| 6 | 1500602780 | TENT POLES Ø9MM ROOF ARCH - 2M60 M (380cm) | |
| | 1500602781 | TENT POLES Ø9MM ROOF ARCH - 2M60 L/XL (390cm) | |
| | 1500602782 | TENT POLES Ø9MM ROOF ARCH - 3M00 DUC H2 (410cm) | |
| | 1500602878 | TENT POLES Ø9MM ROOF ARCH - 3M10 M/L/XL (420cm) | |
| | 1500602784 | TENT POLES Ø9MM ROOF ARCH - 3M60 M/L/XL (460cm) | |
| 7 | 1500602785 | TENT POLES Ø11MM UPPER ARCH - 2M60 M (235cm) | |
| | 1500602786 | TENT POLES Ø11MM UPPER ARCH - 2M60 L/XL (250cm) | |
| | 1500602787 | TENT POLES Ø11mm UPPER ARCH - 3M00 DUC H2 (255cm) | |
| | 1500602880 | TENT POLES Ø11mm UPPER ARCH - 3M10 M (260cm) | |
| | 1500602881 | TENT POLES Ø11mm UPPER ARCH - 3M10 L/XL (275cm) | |
| | 1500602788 | TENT POLES Ø11MM UPPER ARCH - 3M60 M (295cm) | |
| | 1500602789 | TENT POLES Ø11MM UPPER ARCH - 3M60 L/XL (315cm) | |
| 8 | 1500602790 | TENT POLES Ø11MM LOWER ARCH (X2) (183cm) | |
| 9 | 1500602791 | QUICK FIT SPORTS BAG | |
| 10 | 1500602882 | QUICKFIT SIDE INSERT | |
| 11 | 1500602883 | QUICKFIT FRONT INSERT - 2M60 | |
| | 1500602884 | QUICKFIT FRONT INSERT - 3M00/3M10 | |
| | 1500602885 | QUICKFIT FRONT INSERT - 3M60 | |



THULE Smart Panels

PNL600-06

| | ART.NR. | DESCRIPTION | |
|----|------------|---|----------------------|
| 1 | 1500603119 | TENSION RAFTER BLOCKER G2 2M00 | |
| | 1500602962 | TENSION RAFTER BLOCKER G2 2M50 | |
| | 1500602963 | TENSION RAFTER BLOCKER G2 2M50 TO 1200 | |
| | 1500603475 | TENSION RAFTER BLOCKER G2 2M50 T 3200 | Available April 2020 |
| | 1500602964 | TENSION RAFTER BLOCKER G2 2M75 | |
| | 1500602965 | TENSION RAFTER BLOCKER G2 3M00 | |
| 2 | 1500601682 | POSIT. PIECE + TR HOLDER 5003 | |
| 4 | 1500601188 | POSITIONING BLOCK + TENS. RAFTER HOUSING 8000 | |
| 5 | 1500602610 | HOUSING CON.PCE TENSION RAFTER 6200 | |
| 6 | 1500602498 | HOUSING CON.PCE TENSION RAFTER 9200 | |
| 7 | 1500601158 | CON.PCE TENSION RAFTER 6002 | |
| 8 | 1500602936 | TENSION ARM GUARD TO1200 - 2PCS | |
| 9 | 1500601606 | INSERT LEAD RAIL 5003 - 2PCS | |
| 10 | 1500602156 | INSERT LR 4900 | |
| 11 | 1500602028 | CON.TEN.RAFTER - L.RAIL OMNI-V10 | |
| 12 | 1500603101 | CON.TEN.RAFTER - L.RAIL 5002/8000 2PC | |

2020 SPARE PARTS LIST**BLOCKER G2**

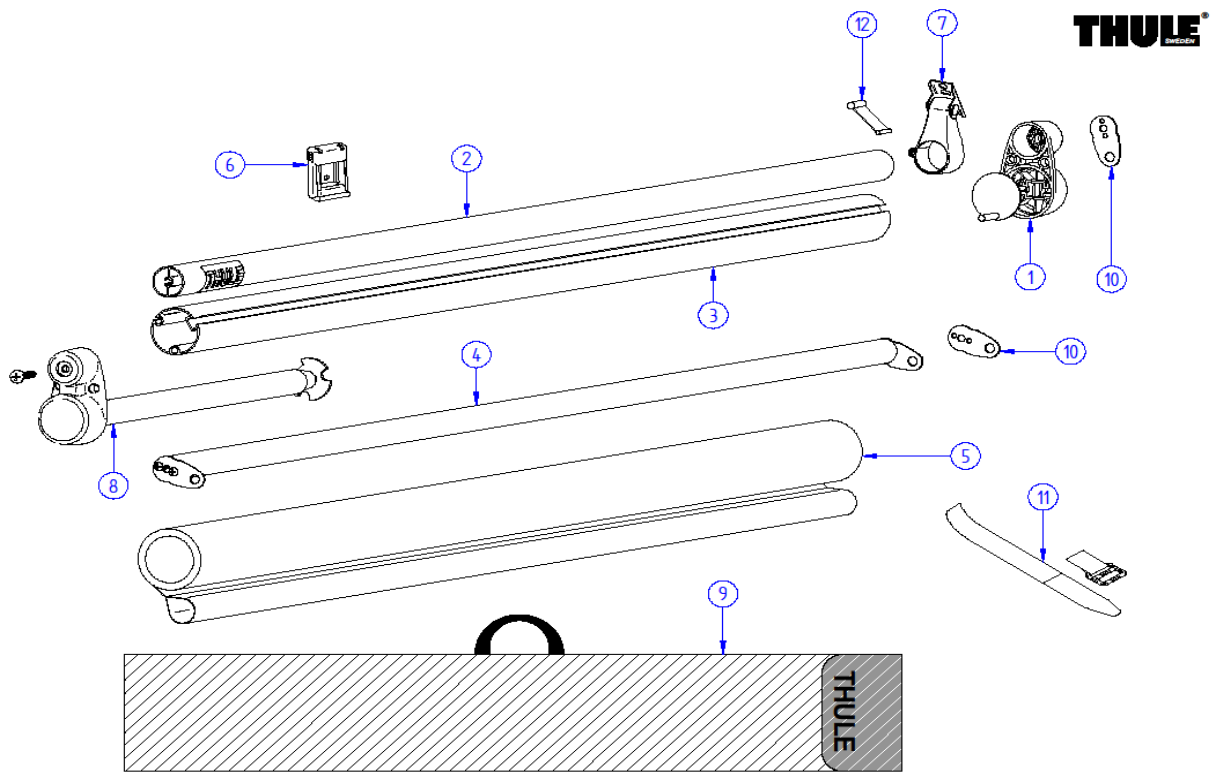
PNL600

| | | | |
|----|------------|---|----------------------|
| 13 | 1500603376 | CON.PCS TENSION RAFTER 5102 | |
| 14 | 1500602616 | INSERT LEAD RAIL 6200 2PC | |
| 15 | 1500602447 | INSERT LEAD RAIL 9200 2PC | |
| 16 | 1500601185 | END PIECE TENSION RAFTER CLAMP + INSERT SR S6 | |
| 18 | 1500602966 | NYLON CORD + CORD LOCK - 5 PCS | |
| 19 | 1500601167 | MULTI POSITION RUBBER 20CM - 5PCS | |
| 20 | 1500601171 | GROUNDSHEET PEG - 10PCS | |
| 21 | 1500601169 | TENT PEG HALF ROUND - 10PCS | |
| 22 | 1500602967 | SIDE RELEASE BUCKLE + STRAP 40CM - 3 PCS | |
| 23 | 1500602968 | SHORT PANEL CONNECTION + LOCK - 5PCS + 2 PCS | |
| 24 | 1500602969 | LONG PANEL CONNECTION - 2 PCS | |
| 25 | 1500603076 | INSERT LEAD RAIL 5200 2PC | |
| 26 | 1500603472 | HOUSING CON. PCE TENSION RAFTER 3200 | Available April 2020 |

2020 SPARE PARTS LIST
WINDSCREEN

THULE
SWEDEN

WS607



THULE Windscreen

WS607-02

| | ART.NR. | DESCRIPTION | |
|----|------------|-------------------------------------|--|
| 1 | 1500602407 | ROLLER TUBE END CAP ASSY | |
| 2 | 1500602408 | FIXATION TUBE WINDSCREEN | |
| 3 | 1500602409 | ROLLER TUBE WINDSCREEN | |
| 4 | 1500602410 | HANDLE ASSY WINDSCREEN | |
| 5 | 1500602411 | FABRIC WINDSCREEN | |
| 6 | 1500601212 | PLASTIC BOTT.MOUNT.BRACKET 2PC | |
| | 1500602390 | BOTTOM MOUNTING BRACKET BLACK 2PC | |
| 7 | 1500602412 | FIXATION HOLDER ASSY WINDSCREEN | |
| 8 | 1500602413 | ROLLER TUBE END CAP AND SPRING ASSY | |
| 9 | 1500602414 | WINDSCREEN BAG | |
| 10 | 1500602415 | TENT PEG PLATE WINDSCREEN | |
| 11 | 1500602416 | VELCRO ASSY FIXATION WINDSCREEN | |
| 12 | 1500602809 | CARAVANRAIL CONNECTION - 2PC | |

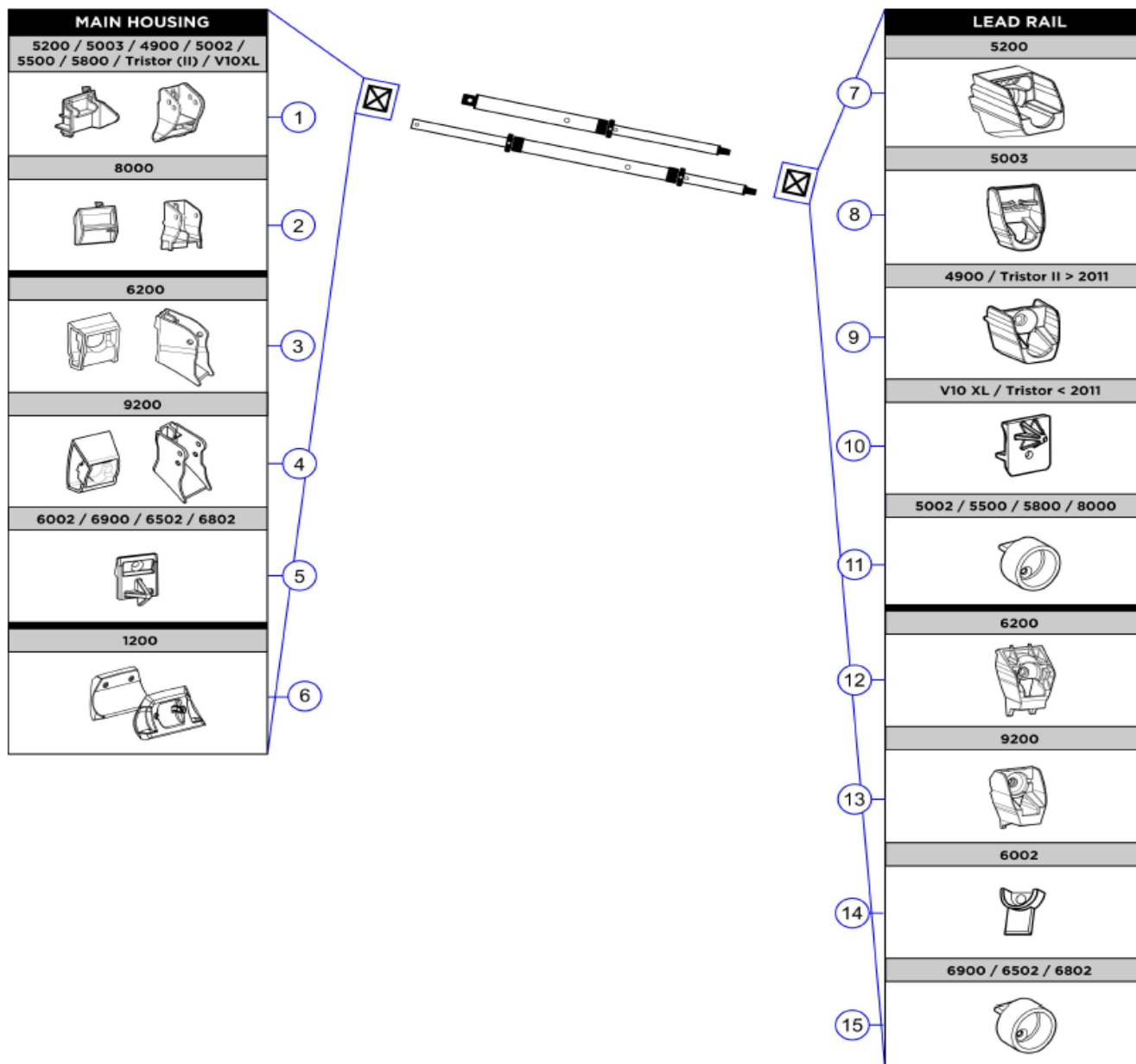
2020 SPARE PARTS LIST

TENSION RAFTER G2

THULE
SWEDEN

TR602

THULE

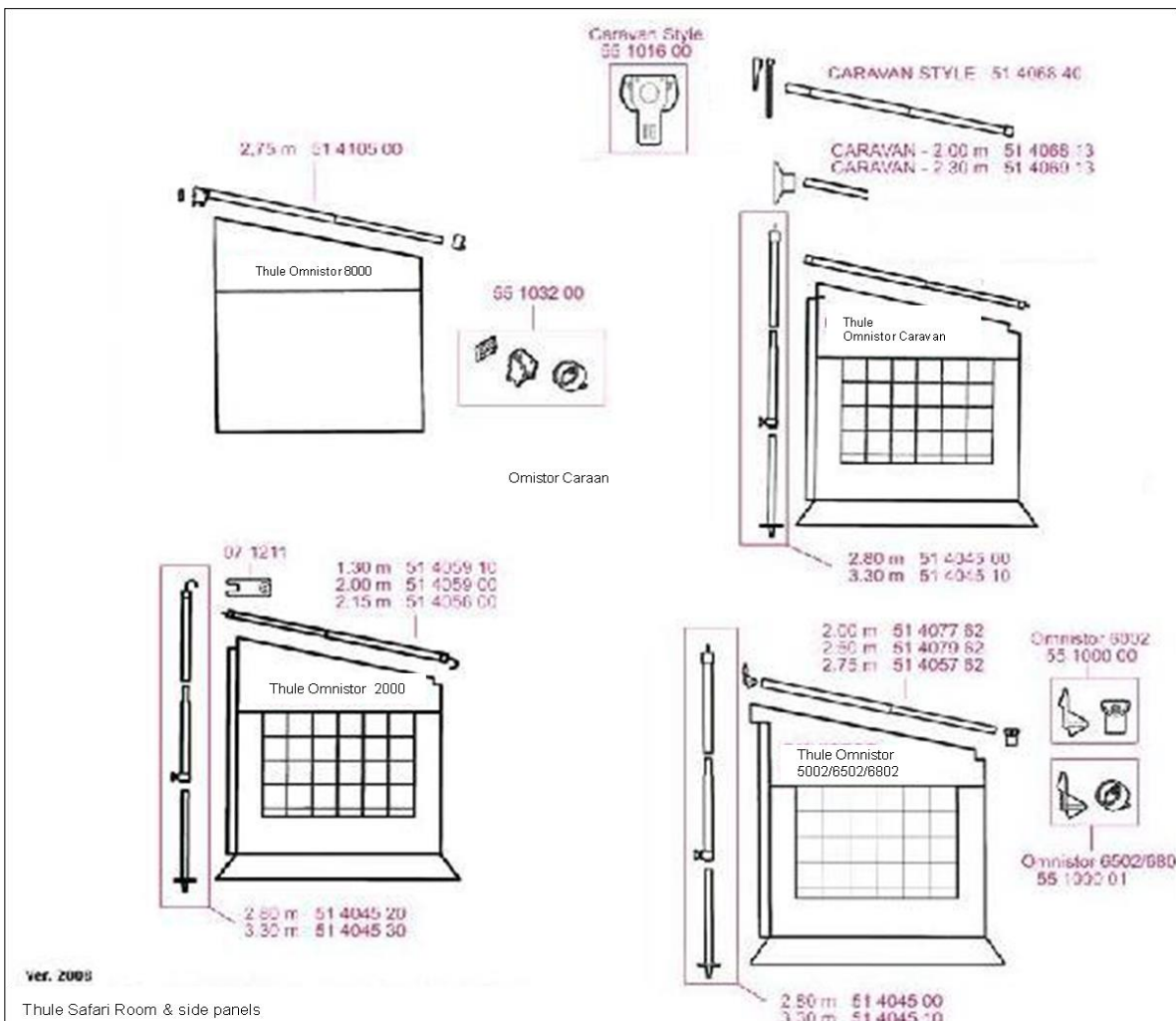
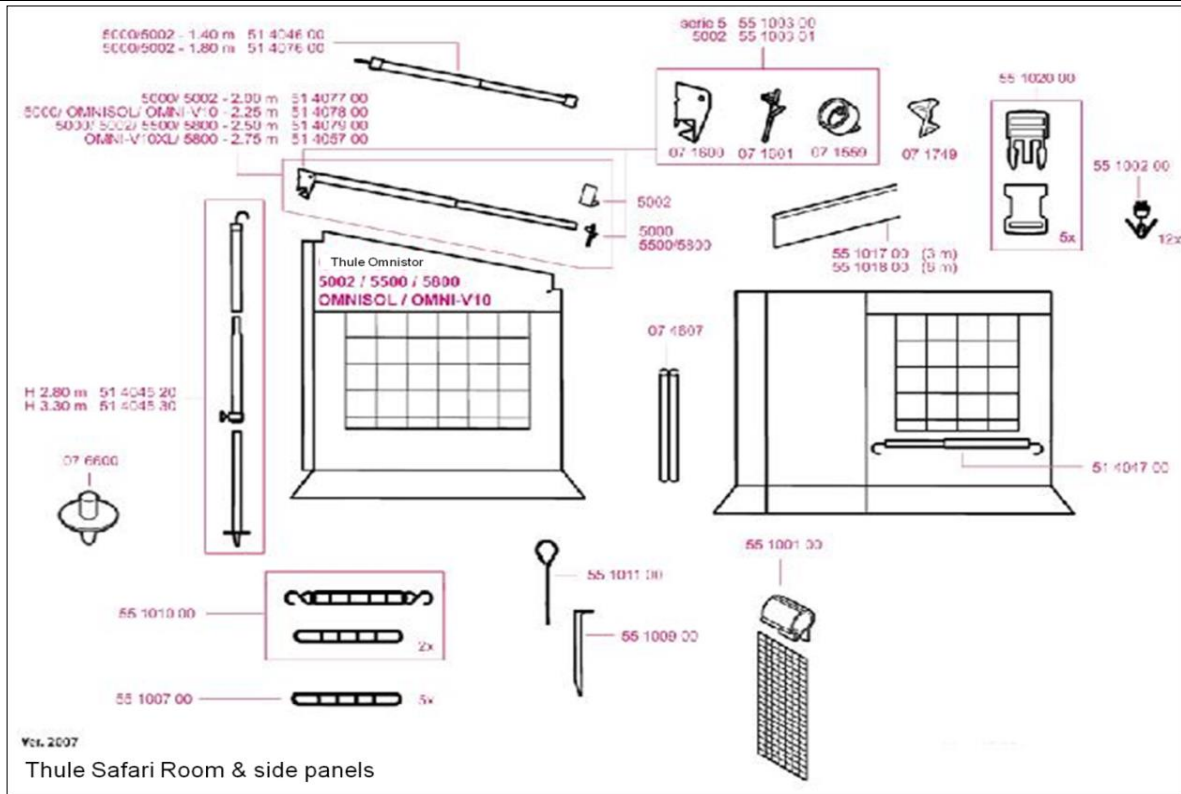


THULE Tension Rafter G2

TR602-00

| | ART.NR. | DESCRIPTION | |
|----|------------|--|--|
| 1 | 1500601682 | POSIT. PIECE + TR HOLDER 5003 - 1+1PC | |
| 2 | 1500601188 | POSIT. BLOCK + TENS. RAFTER HOUSING 8000 1+1PC | |
| 3 | 1500603112 | POSIT. BLOCK + TENS. RAFTER HOUSING 6200 1+1PC | |
| 4 | 1500603113 | POSIT. BLOCK + TENS. RAFTER HOUSING 9200 1+1PC | |
| 5 | 1500601158 | CON.PCS TENSION RAFTER 6002 1+1 PC | |
| 6 | 1500602936 | TENSION ARM GUARD TO1200 - 2PCS | |
| 7 | 1500603076 | INSERT LEAD RAIL 5200 - 2PCS | |
| 8 | 1500601606 | INSERT LEAD RAIL 5003 - 2PCS | |
| 9 | 1500602156 | INSERT LR 4900 - 1PC | |
| 10 | 1500602028 | CON.TEN.RAFTER - L.RAIL OMNI-V10 - 2PCS | |
| 11 | 1500603101 | CON.TEN.RAFTER - L.RAIL 5002/8000 - 2PCS | |
| 12 | 1500602616 | INSERT LEAD RAIL 6200 - 2PCS | |
| 13 | 1500602447 | INSERT LEAD RAIL 9200 - 2PCS | |
| 14 | 1500601158 | CON.PCS TENSION RAFTER 6002 1+1 PC | |
| 15 | 1500603101 | CON.TEN.RAFTER - L.RAIL 5002/8000 - 2PCS | |

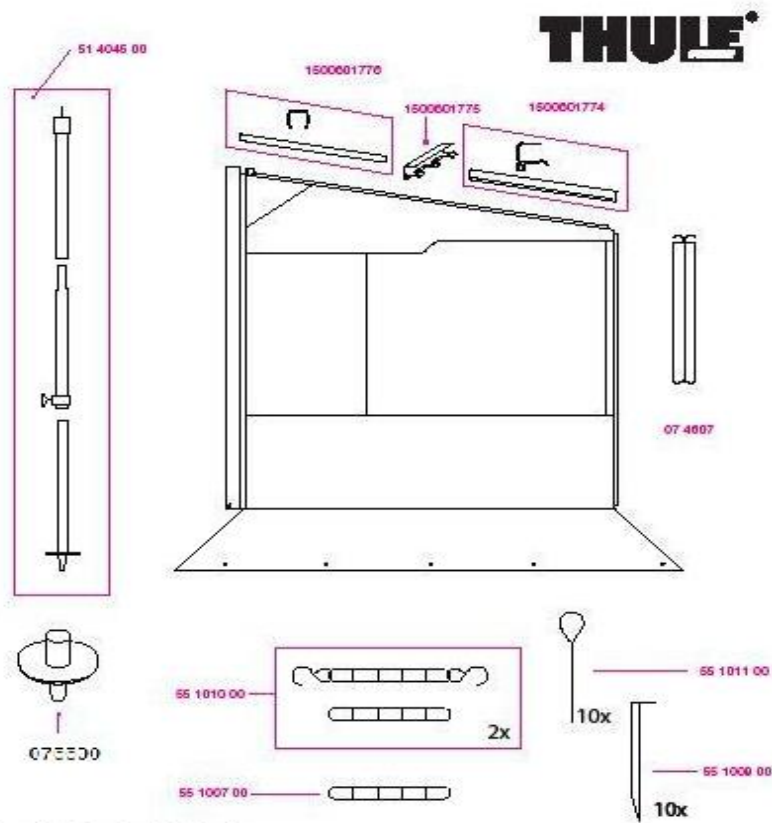
2020 SPARE PARTS LIST SAFARI ROOM & RBS



2020 SPARE PARTS LIST
SAFARI ROOM & RBS



| | ART.NR. | DESCRIPTION | |
|----------|------------|-----------------------------------|-------------|
| 71211 | 1500602024 | CON.PLATE TENSION RAFTER 2000 | |
| 71559 | 1500602025 | CON.TEN.RAFTER - L.RAIL 5002/6502 | |
| 71600 | 1500602026 | CON.TEN.RAFTER - HOUSING 5002 | |
| 71601 | 1500602027 | CON.TEN.RAFTER - L.RAIL 5000/5500 | |
| 71749 | 1500602028 | CON.TEN.RAFTER - L.RAIL OMNI-V10 | |
| 74607 | 1500602029 | CONNECTING PROF.PANEL - 1,00M | |
| 76600 | 1500602030 | GROUND PIN MAST SAF.ROOM | |
| 51404500 | 1500600116 | MAST 2.80M WITH PIN SAFARIROOM | unavailable |
| 51404510 | 1500601537 | MAST 3.30M WITH PIN SAFARI ROO | unavailable |
| 51404520 | 1500600117 | MAST 2.80M WITH HOOK SAF.ROOM | unavailable |
| 51404530 | 1500600118 | MAST 3.30M WITH HOOK SAF.ROOM | unavailable |
| 51404600 | 1500601403 | TENSION RAFTER 4000/5000 | |
| 51404700 | 1500600119 | WINDOW TUBE ASSY SAFARIROOM | |
| 51405700 | 308234 | TENSION RFT 2.75M UNIVERSAL | unavailable |
| 51405762 | 308235 | TENSION RFT 2.75M SERIE 6 | |
| 51405800 | 308236 | TENSION RFT 2.15M FOR 2000 | unavailable |
| 51405900 | 308237 | TENSION RFT 2.00M FOR 2000 | unavailable |
| 51405910 | 1500602031 | TENSION RAFTER 2000 - 1,30M | unavailable |
| 51406813 | 308238 | TENSION RFT 2.00M CARAVAN | unavailable |
| 51406840 | 308239 | TENSION RFT CARAVAN STYLE | unavailable |
| 51406913 | 308240 | TENSION RFT 2.30M CARAVAN | |
| 51407600 | 308241 | TENSION RFT 1.80M UNIVERSAL | unavailable |
| 51407700 | 308242 | TENSION RFT 2.00M UNIVERSAL | |
| 51407762 | 308243 | TENSION RFT 2.00M SERIE 6 | |
| 51407800 | 308244 | TENSION RFT 2.25M UNIVERSAL | unavailable |
| 51407900 | 308245 | TENSION RFT 2.50M UNIVERSAL | |
| 51407962 | 308246 | TENSION RFT 2.50M SERIE 6 | |
| 51407990 | 1500602032 | TENSION RAFTER 9000 - 2,50M | unavailable |
| 51410500 | 308234 | TENS RFT RB/SB/ 2.75M 8000 | unavailable |
| | 1500602764 | TENS RFT RB/SB/ 3,00M 9200 | unavailable |
| 55100000 | 1500601158 | CON.PCE TENSION RAFTER 6002 | |
| 55100001 | 1500601159 | CONNECTION PIECE TR 6502/6900 | |
| 55100100 | 1500601160 | NYLON TENTCLIP (6) SAFARIROOM | |
| 55100200 | 1500601161 | WINDOW HOLDER (12) SAFARIROOM | |
| 55100300 | 1500601162 | CONNECTION PCS TR 5000 SAFARIR | |
| 55100301 | 1500601163 | CONNECTION PCS TR 5002 SAFARIR | |
| 55100400 | 1500601163 | CONN. PCS TR 5500/OS SAFARI SR | |
| 55100700 | 1500601167 | LADDER RUBBERRING 20CM-5PCS SR | |
| 55100900 | 1500601169 | TENTPEG HALFROUND-10PCS SR | |
| 55101000 | 1500601170 | MULTI POS. ELAST.+S-HOOK 4PCS | |
| 55101100 | 1500601171 | GROUNDSHEETPEG - 10 PCS | |
| 55101200 | 1500601172 | AWNING BRACKET 2 PCS | |
| 55101700 | 1500601175 | DRAP ROPE 3.00M | |
| 55101800 | 1500601176 | DRAP ROPE 6.00M | |
| 55102000 | 1500601178 | BUCKLE 16MM WHITE (5 PIECES) | |
| 55103200 | 1500601399 | CONN PCS TENS RFT RB/SB 8000 | |



Thule Safari Style

| | ART.NR. | DESCRIPTION | |
|------------|------------|--------------------------------|--|
| 1500601774 | 1500601774 | CLAMP PROFILE 850 MM | |
| 1500601775 | 1500601775 | CLAMP PROFILE MID 265 MM | |
| 1500601776 | 1500601776 | U-PROFILE 900 MM | |
| 07 4607 | 1500602029 | CONNECTING PROF.PANEL - 1,00M | |
| 07 6600 | 1500602030 | GROUND PIN MAST SAF.ROOM | |
| 51 4045 00 | 1500600116 | MAST 2.80M WITH PIN SAFARIROOM | |
| 55 1007 00 | 1500601167 | LADDER RUBBERRING 20CM-5PCS SR | |
| 55 1009 00 | 1500601169 | TENTPEG HALFROUND-10PCS SR | |
| 55 1010 00 | 1500601170 | MULTI POS. ELAST.+S-HOOK 4PCS | |
| 55 1011 00 | 1500601171 | GROUNDSHEETPEG - 10 PCS | |

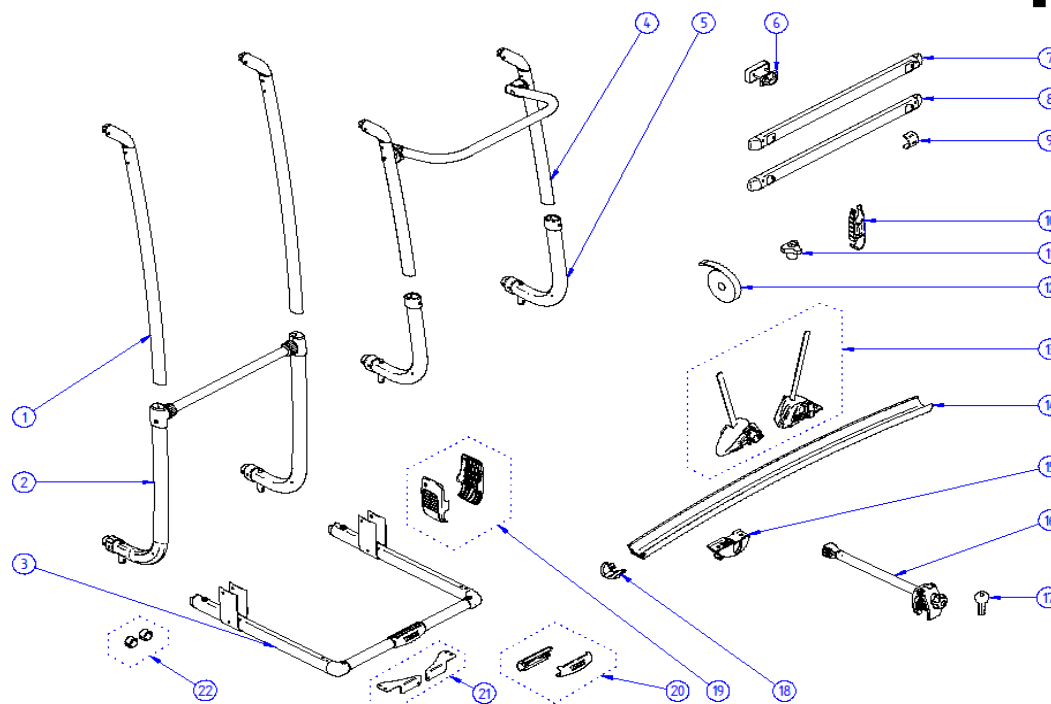
2020 SPARE PARTS LIST

Excellent common parts - Excellent LV - Excellent SV

THULE
SWEDEN

EX600

THULE
SWEDEN



THULE Excellent LV - Excellent SV - Excellent common parts

EX600-03

| | ART.NR. | DESCRIPTION | |
|----|------------|--|--|
| 1 | 1500602393 | EXCELLENT ARM (1x) | |
| | 1500603213 | EXCELLENT ARM BLACK (1x) | |
| 2 | 1500602394 | EXCELLENT CROSSBAR + T-PIECES + BODY | |
| | 1500603214 | EXCELLENT CROSSBAR + T-PIECES + BODY BLACK | |
| 3 | 1500602397 | EXCELLENT PLATFORM WITHOUT RAILS | |
| | 1500603215 | EXCELLENT PLATFORM WITHOUT RAILS BLACK | |
| 4 | 1500602395 | EXCELLENT SV ARMS+CROSSBAR | |
| 5 | 1500602396 | EXCELLENT SV BODY + CONNECTION PIECE (1x) | |
| 6 | 1500602383 | G2 UPPER FIXATION KIT (2x) | |
| 7 | 309828 | G2 TOP MOUNTING RAIL | |
| 8 | 306946 | BOTTOM MOUNTING RAIL | |
| | 308954 | BOTTOM MOUNTING RAIL BLIND | |
| 9 | 307328 | COVER MOUNTING RAIL (2pcs) | |
| 10 | 1500602400 | PLATFORM HOLDER (2x) | |
| 11 | 1500602386 | KNOB WITH NUT BLACK H18mm (2x) | |
| | 1500602020 | KNOB WITH NUT BLACK H28mm | |
| 12 | 1500602387 | SAFETY STRAP 2,00M BLACK | |
| 13 | 1500602403 | EXCELLENT WHEEL HOLDER W PUMP BUCKLE (1L+1R) | |
| 14 | 1500602401 | G2 RAIL PROFILE | |
| | 1500603216 | G2 RAIL PROFILE BLACK | |
| 15 | 1500602621 | EXCELLENT RAILSLIDER BLACK (2x) | |
| 16 | 302520 | G3 BIKE ARM #1 ACUTIGHT WITH LOCK - ANODISED (12cm) | |
| | 302521 | G3 BIKE ARM #2 ACUTIGHT WITH LOCK - ANODISED (26cm) | |
| | 302523 | G3 BIKE ARM #3 ACUTIGHT WITH LOCK - ANODISED (41cm) | |
| | 302524 | G3 BIKE ARM #4 ACUTIGHT WITH LOCK - ANODISED (15cm - double) | |
| | 302525 | G3 BIKE ARM #1 ACUTIGHT WITH LOCK - BLACK (12cm) | |
| | 302526 | G3 BIKE ARM #2 ACUTIGHT WITH LOCK - BLACK (26cm) | |
| | 302528 | G3 BIKE ARM #3 ACUTIGHT WITH LOCK - BLACK (41cm) | |
| | 302529 | G3 BIKE ARM #4 ACUTIGHT WITH LOCK - BLACK (15cm - double) | |
| 17 | 1500002XXX | SPARE KEY FOR BIKE ARM LOCK (XXX = KEY NR.) | |
| 18 | 1500602402 | G2 ENDCAP RAIL (2x) | |
| 19 | 1500602398 | EXCELLENT HINGE COVERS (1L+1R) | |

2020 SPARE PARTS LIST

THULE
SWEDEN

Excellent common parts - Excellent LV - Excellent SV

EX600

| | | | |
|----|------------|---|--|
| 20 | 1500602399 | EXCELLENT PLATFORM HANDLE | |
| 21 | 1500602697 | PLATFORM CORNER CONNECTION | |
| 22 | 1500602751 | ANTI RATTLING BOTTOM MOUNTING RAIL (2x) | |

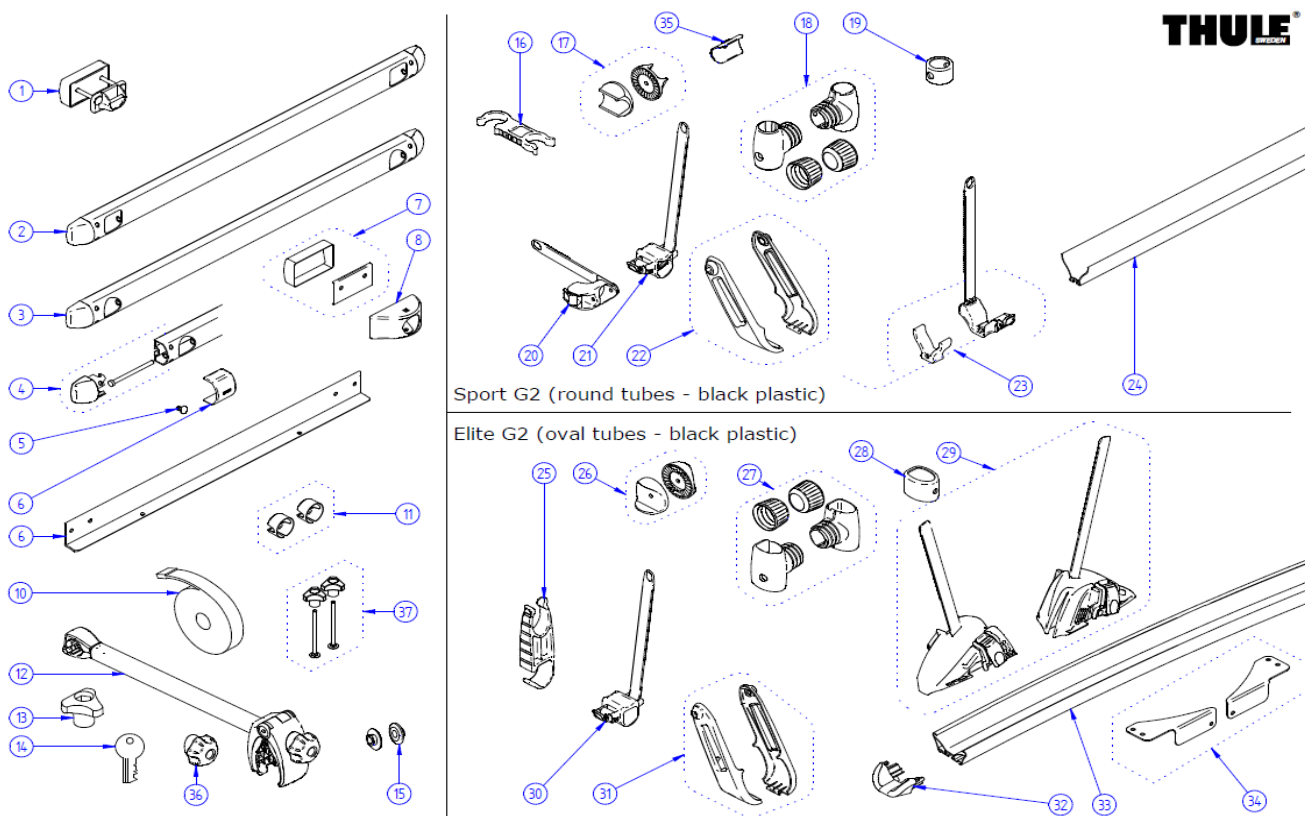
2020 SPARE PARTS LIST

Sport G2 & Elite G2 - common parts

THULE
SWEDEN

MH604

THULE
SWEDEN



THULE Sport G2 & Elite G2 - common parts

MH604-06

| ART.NR. | DESCRIPTION |
|---------|---|
| 1 | 1500602383 G2 UPPER FIXATION KIT (2x) |
| 2 | 309828 G2 TOP MOUNTING RAIL |
| 3 | 306946 BOTTOM MOUNTING RAIL |
| | 308954 BOTTOM MOUNTING RAIL BLIND |
| 4 | 1500600549 SPORT/ELITE CAP MOUNTING PROFILE + BOLT (2x) |
| 5 | 1500602750 MOUNTING RAIL SCREW NAIL (x100) |
| | 1500603478 MOUNTING RAIL SCREW NAIL (X8) |
| 6 | 307328 COVER MOUNTING RAIL (2pcs) |
| 7 | 1500602360 LOWER FIXATION KIT INSIDE (2x) |
| 8 | 1500602384 FOOT + FOOT COVER (2x) |
| 9 | 1500601518 ANGLE SUPPORT RAIL DUCATO |
| 10 | 1500602387 SAFETY STRAP 2,00M BLACK |
| 11 | 1500602751 ANTI RATTLING BOTTOM MOUNTING RAIL (2x) |
| 12 | 302520 G3 BIKE ARM #1 ACUTIGHT WITH LOCK - ANO (12cm) |
| | 302521 G3 BIKE ARM #2 ACUTIGHT WITH LOCK - ANO (26cm) |
| | 302522 G3 BIKE ARM #2,5 ACUTIGHT WITH LOCK - ANO (30cm) |
| | 302523 G3 BIKE ARM #3 ACUTIGHT WITH LOCK - ANO (41cm) |
| | 302524 G3 BIKE ARM #4 ACUTIGHT WITH LOCK - ANO (DOUBLE CLAMP) |
| | 302525 G3 BIKE ARM #1 ACUTIGHT WITH LOCK - BLACK (12cm) |
| | 302526 G3 BIKE ARM #2 ACUTIGHT WITH LOCK - BLACK (26cm) |
| | 302527 G3 BIKE ARM #2,5 ACUTIGHT WITH LOCK - BLACK (30cm) |
| | 302528 G3 BIKE ARM #3 ACUTIGHT WITH LOCK - BLACK (41cm) |
| | 302529 G3 BIKE ARM #4 ACUTIGHT WITH LOCK - BLACK (DOUBLE CLAMP) |
| 13 | 1500603527 KNOB WITH NUT BLACK - 2PC |
| 14 | 1500002XXX SPARE KEY FOR BIKE ARM LOCK (XXX = KEY NR.) |
| 15 | 1500602898 GLIDING BEARINGS FOR HINGES (100 PCS) |
| 16 | 1500602385 G2 PLATFORM HOLDER 30/34 |
| | 1500602622 G2 PLATFORM HOLDER 34/34 |
| 17 | 1500602623 G2 SERRATED PIECE round (2x) |
| 18 | 1500602624 G2 SPORT T-PIECE (2x) |
| 19 | 1500602625 G2 CONNECTION PIECE DIA. 34/30 (2x) |
| 20 | 1500602626 PLATFORM LOCK VERTICAL (2x) |

2020 SPARE PARTS LIST

THULE
SWEDEN

Sport G2 & Elite G2 - common parts

MH604

| | | | |
|----|------------|--|--|
| 21 | 1500602627 | PLATFORM LOCK (1L+1R) | |
| 22 | 1500602620 | SPORT G2 HINGE COVERS BLACK 20° (1L+1R) | |
| | 1500602628 | SPORT G2 HINGE COVERS BLACK 40° (1L+1R) | |
| 23 | 1500602629 | SPORT G2 ENDCAP + WHEEL STRAPS FOR V-RAIL (2x) | |
| 24 | 1500602388 | V-RAIL PROFILE | |
| 25 | 1500602400 | PLATFORM HOLDER (2x) | |
| 26 | 1500602630 | G2 SERRATED PIECES oval (1+1) | |
| 27 | 1500602631 | G2 OVAL T-PIECES (1L+1R) | |
| 28 | 1500602632 | G2 CONNECTION PIECE OVAL 42/48 (2x) | |
| 29 | 1500602403 | WHEEL HOLDER W PUMP BUCKLE (2x) | |
| 30 | 1500602633 | PLATFORM LOCK OVAL (1L+1R) | |
| 31 | 1500602634 | ELITE G2 HINGE COVERS BLACK (1L+1R) | |
| 32 | 1500602402 | G2 ENDCAP RAIL (2x) | |
| 33 | 1500602401 | G2 RAIL PROFILE | |
| 34 | 1500602697 | PLATFORM CORNER CONNECTION | |
| 35 | 1500603157 | SERRATED INSERT 30/34 BLACK 4PCS | |
| 36 | 1500030364 | KNOB WITHOUT LOCK FOR BIKE ARM | |
| 37 | 1500603175 | BOLT 90MM + KNOB HIGH (2PCS) | |

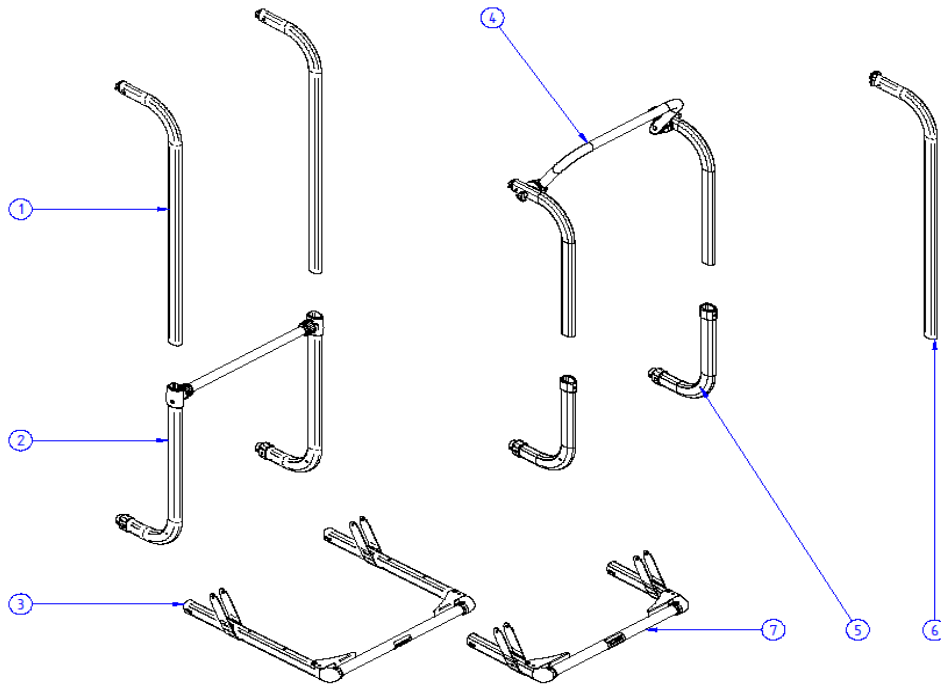
2020 SPARE PARTS LIST

Elite G2 LV - Elite G2 SV - Elite G2 HH - Elite G2 One Bike

THULE
SWEDEN

MH605

THULE
SWEDEN



THULE Elite G2 LV / Elite G2 SV / Elite G2 HH / Elite G2 One Bike

MH605-01

| | ART.NR. | DESCRIPTION | |
|---|------------|--|--|
| 1 | 1500602635 | ELITE G2 LV ARM (1x) | |
| 2 | 1500602636 | ELITE G2 LV BODY + CROSSBAR + T-PIECES | |
| 3 | 1500602637 | ELITE G2 PLATFORM WITHOUT RAILS | |
| 4 | 1500602638 | ELITE G2 SV ARMS + CROSSBAR | |
| 5 | 1500602639 | ELITE G2 SV BODY + CONNECTION PIECE (1x) | |
| 6 | 1500602640 | ELITE G2 HH ARM (1x) | |
| 7 | 1500603474 | ELITE G2 ONE BIKE PLATFORM WITHOUT RAILS | |

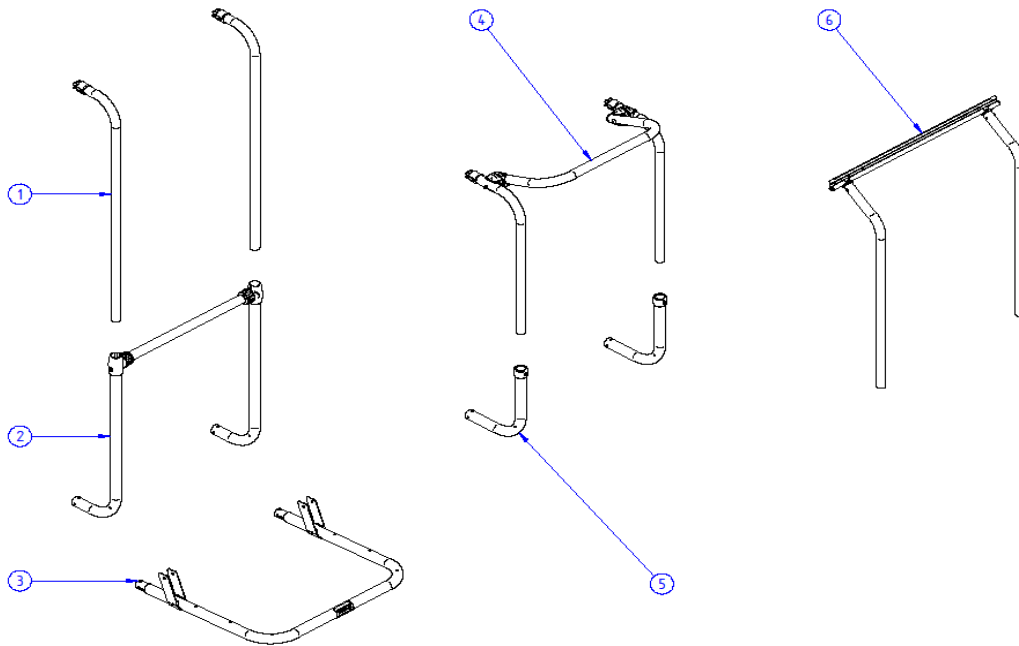
2020 SPARE PARTS LIST

Sport G2 LV - Sport G2 SV - Sport G2 W150/Hobby

THULE
SWEDEN

SP608

THULE
SWEDEN



THULE Sport G2 LV / Sport G2 SV / Sport G2 W150/Hobby

SP608-00

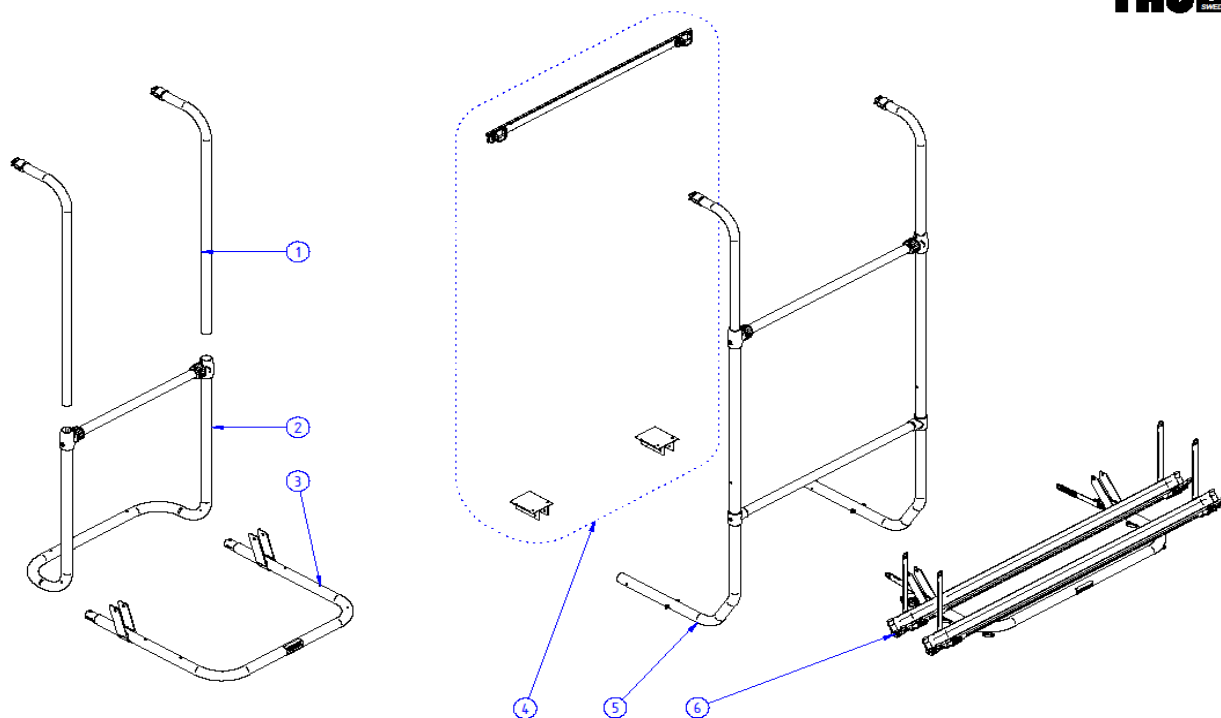
| | ART.NR. | DESCRIPTION | |
|---|------------|--|--|
| 1 | 1500602378 | SPORT G2 LV ARM (1x) | |
| 2 | 1500602379 | SPORT G2 LV BODY + CROSSBAR + T-PIECES | |
| 3 | 1500602641 | SPORT G2 PLATFORM WITHOUT RAILS | |
| 4 | 1500602381 | SPORT G2 SV ARMS + CROSSBAR | |
| 5 | 1500602382 | SPORT G2 SV BODY + CONNECTION PIECE (1x) | |
| 6 | 1500602642 | SPORT G2 W150/HOBBY ARMS + RAIL | |

2020 SPARE PARTS LIST
Sport G2 tour - Sport G2 universal

THULE
SWEDEN

SP609

THULE
SWEDEN



THULE Sport G2 tour / Sport G2 Universal

SP609-00

| | ART.NR. | DESCRIPTION | |
|---|------------|--------------------------------------|--|
| 1 | 1500602649 | SPORT G2 TOUR ARM (1x) | |
| 2 | 1500602650 | SPORT G2 TOUR BODY | |
| 3 | 1500602641 | SPORT G2 PLATFORM WITHOUT RAILS | |
| 4 | 1500602682 | SPORT G2 UNIVERSAL FIXATION SET | |
| 5 | 1500602651 | SPORT G2 UNIVERSAL BODY | |
| 6 | 1500602652 | SPORT G2 UNIVERSAL PLATFORM COMPLETE | |

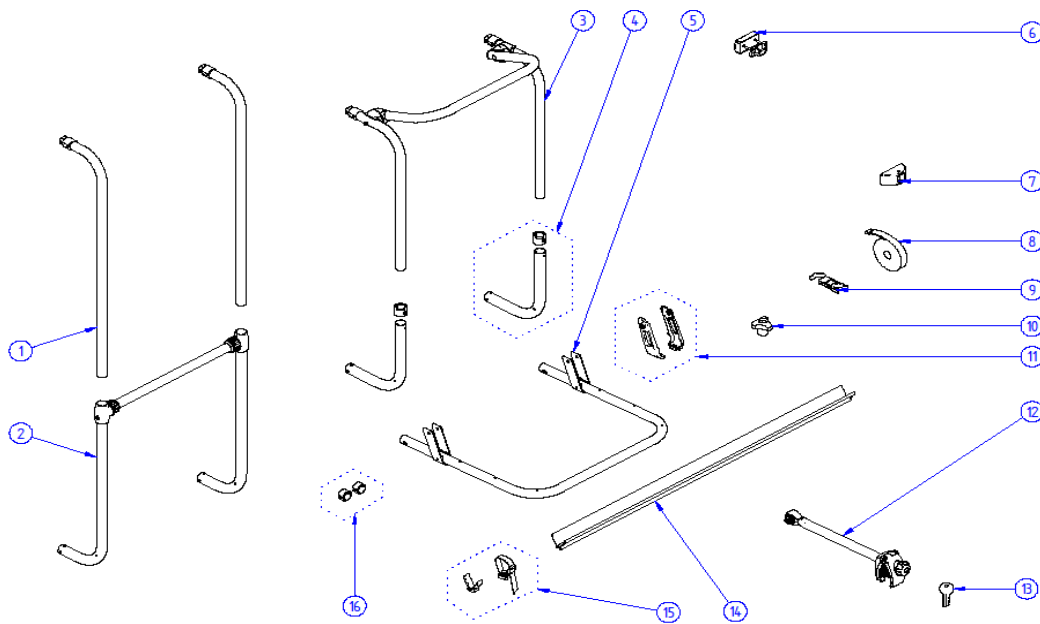
2020 SPARE PARTS LIST

Essential common parts - Essential LV - Essential SV

THULE
SWEDEN

ES600

THULE



THULE Essential LV - Essential SV

ES600-02

| | ART.NR. | DESCRIPTION | |
|----|------------|---|--|
| 1 | 1500602378 | SPORT G2 LV ARM (1x) | |
| 2 | 1500602379 | SPORT G2 LV CROSSBAR + T-PIECES + BODY | |
| 3 | 1500602381 | SPORT G2 SV ARMS+CROSSBAR | |
| 4 | 1500602382 | SPORT G2 SV BODY + CONNECTION PIECE (1x) | |
| 5 | 1500602380 | ESSENTIAL PLATFORM WITHOUT RAILS | |
| 6 | 1500602383 | G2 UPPER FIXATION KIT (2x) | |
| 7 | 1500602384 | FOOT + FOOT COVER (2x) | |
| 8 | 1500602387 | SAFETY STRAP 2,00M BLACK | |
| 9 | 1500602385 | G2 PLATFORM HOLDER 30/34 | |
| 10 | 1500602386 | KNOB WITH NUT BLACK H18mm (2x) | |
| 10 | 1500602020 | KNOB WITH NUT BLACK H28mm | |
| 11 | 1500602620 | SPORT G2 HINGE COVERS BLACK 20° (1L+1R) | |
| 12 | 302520 | G3 BIKE ARM #1 ACUTIGHT WITH LOCK - ANODISED (12cm) | |
| 12 | 302521 | G3 BIKE ARM #2 ACUTIGHT WITH LOCK - ANODISED (26cm) | |
| 12 | 302523 | G3 BIKE ARM #3 ACUTIGHT WITH LOCK - ANODISED (41cm) | |
| 12 | 1500030364 | KNOB WITHOUT LOCK FOR BIKE ARM | |
| 13 | 1500002XXX | SPARE KEY FOR BIKE ARM LOCK (XXX = KEY NR.) | |
| 14 | 1500602388 | V-RAIL PROFILE | |
| 15 | 1500602389 | ESSENTIAL ENDCAP + WHEEL STRAPS FOR V-RAIL (2x) | |
| 16 | 1500602751 | ANTI RATTLING BOTTOM MOUNTING RAIL (2x) | |

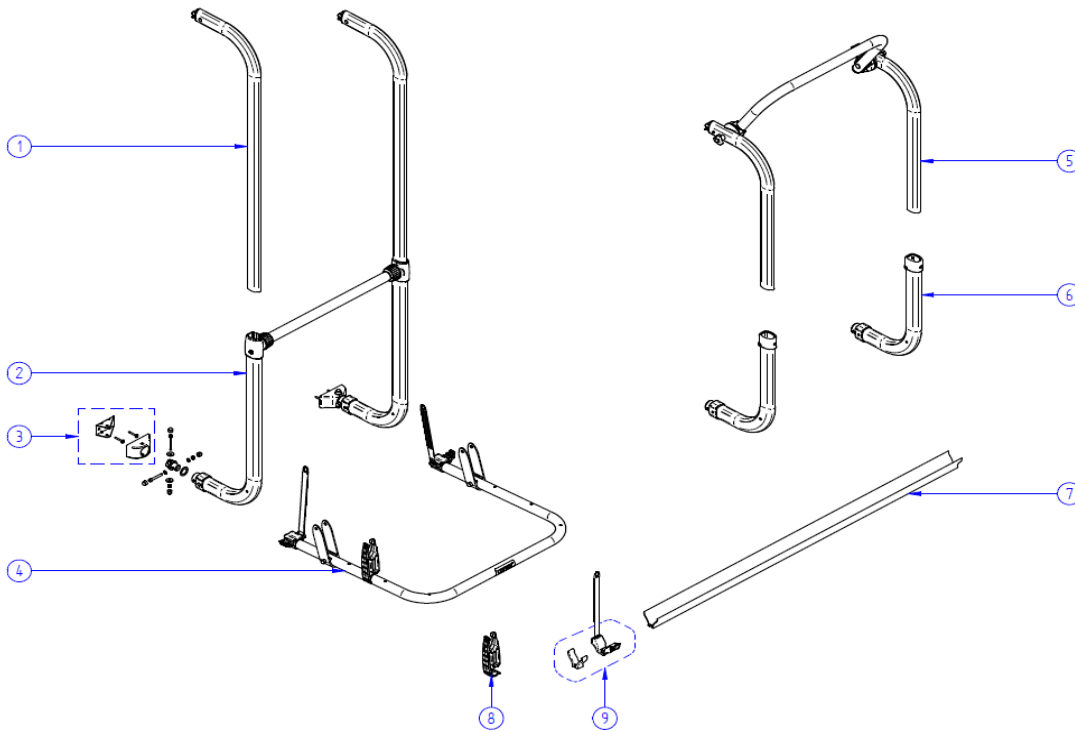
2020 SPARE PARTS LIST

Esse4 - Esse4 SV - Esse4 Tripel - Esse4 Tripel Black

THULE
SWEDEN

ES605

THULE
SWEDEN



THULE Esse4

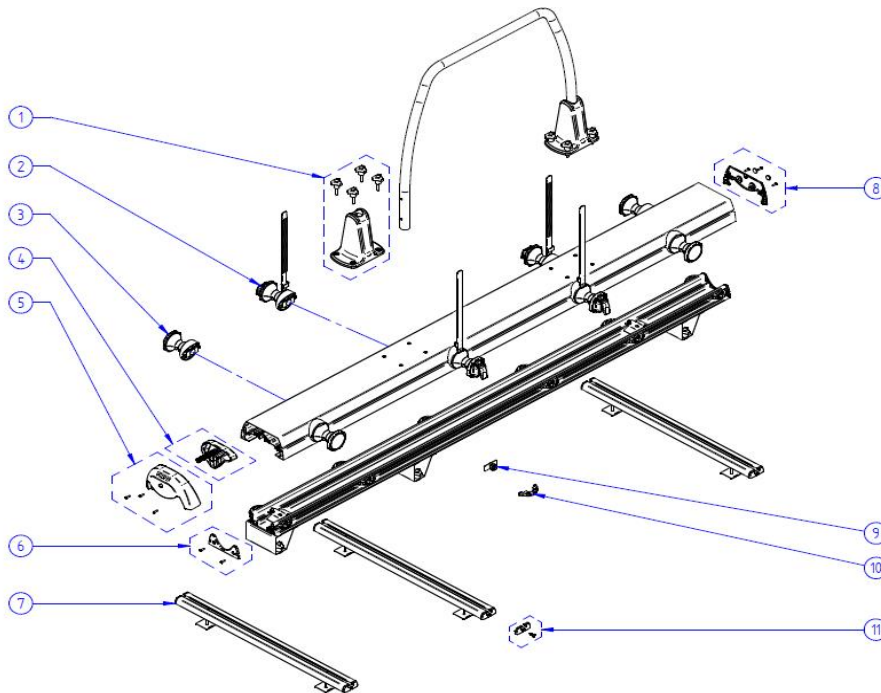
ES605-00

| | ART.NR. | DESCRIPTION | |
|---|------------|---|--|
| 1 | 1500602635 | ELITE G2 LV ARM (1x) | |
| | 1500603479 | ELITE G2 LV BLACK ARM (1x) | |
| 2 | 1500602636 | ELITE G2 LV BODY + CROSSBAR + T-PIECES | |
| | 1500603480 | ELITE G2 LV BLACK BODY + CROSSBAR + T-PIECES | |
| 3 | 1500602384 | FOOT + FOOT COVER (2x) | |
| 4 | 1500603212 | ESSE4 PLATFORM WITHOUT RAILS | |
| | 1500603481 | ESSE4 PLATFORM BLACK WITHOUT RAILS | |
| 5 | 1500602638 | ELITE G2 SV ARMS + CROSSBAR | |
| 6 | 1500602639 | ELITE G2 SV BODY + CONNECTION PIECE (1x) | |
| 7 | 1500602388 | V-RAIL PROFILE | |
| | 1500603482 | V-RAIL PROFILE BLACK | |
| 8 | 1500602765 | ESSE4 PLATFORM HOLDER (1X) | |
| 9 | 1500602629 | SPORT G2 ENDCAP + WHEELSTRAPS FOR V-RAIL (2x) | |

2020 SPARE PARTS LIST
VeloSlide & VeloSlide Short

THULE
 SWEDEN
 GR600

THULE
 SWEDEN



THULE VeloSlide

GR600-01

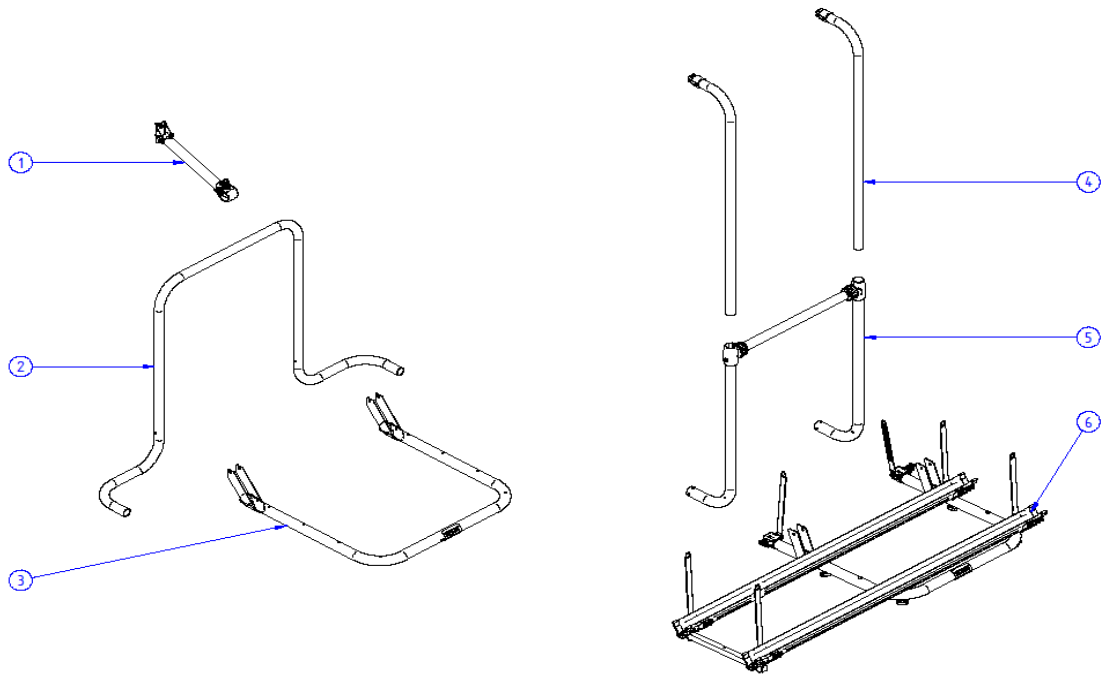
| | ART.NR. | DESCRIPTION | |
|----|------------|--|--|
| 1 | 1500603203 | VELOSLIDE CAP FOR FRAMEHOLDER (1x) + BOLT KNOBS (4x) | |
| 2 | 1500603204 | VELOSLIDE WHEELHOLDER WITH STRAP (1x) | |
| 3 | 1500603205 | VELOSLIDE WHEELHOLDER WITHOUT STRAP (1x) | |
| 4 | 1500603206 | VELOSLIDE HANDLE | |
| 5 | 1500603207 | VELOSLIDE CAP RUNNER FRONT | |
| 6 | 1500603208 | VELOSLIDE CAP TRACK (1x) | |
| 7 | 302015 | VELOSLIDE MOUNTING RAILS - 70cm | |
| 7 | 302016 | VELOSLIDE MOUNTING RAILS - 140cm | |
| 8 | 1500603209 | VELOSLIDE CAP RUNNER REAR | |
| 9 | 1500603210 | WHEEL ASSEMBLY (2x) | |
| 10 | 1500603211 | WHEEL GUIDE (2x) | |
| 11 | 1500603405 | VELOSLIDE CAP MOUNTING RAIL (6x) | |

2020 SPARE PARTS LIST
Sport G2 garage - Sport G2 2 doors

THULE
SWEDEN

SP610

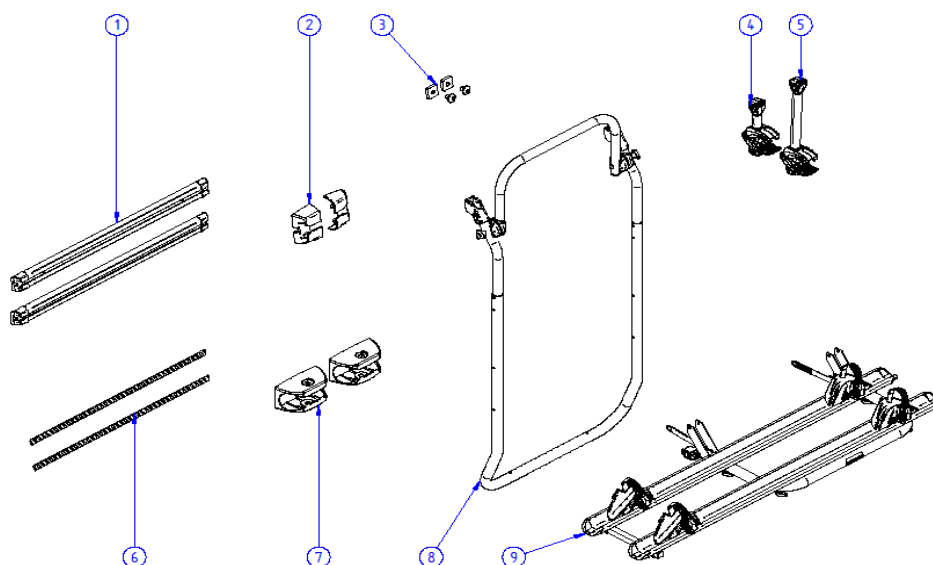
THULE
SWEDEN



THULE Sport G2 garage / Sport G2 2 doors

SP610-00

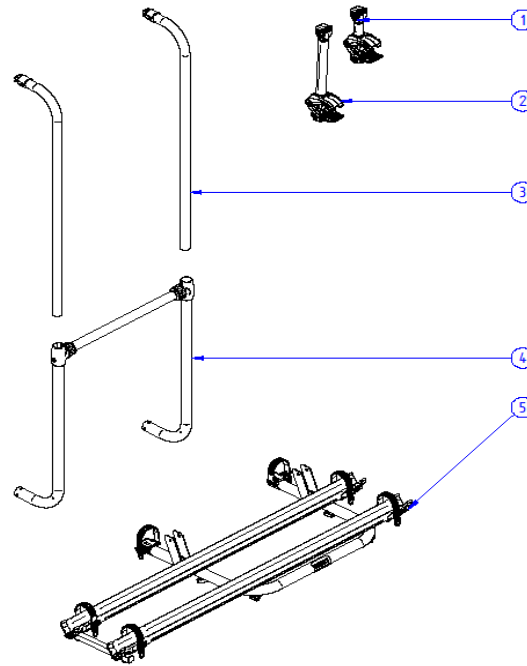
| | ART.NR. | DESCRIPTION | |
|---|------------|--|--|
| 1 | 1500602653 | SPORT G2 GARAGE WALL FIXATION | |
| 2 | 1500602654 | SPORT G2 GARAGE BODY | |
| 3 | 1500602655 | SPORT G2 GARAGE PLATFORM WITHOUT RAILS | |
| 4 | 1500602378 | SPORT G2 LV ARM (1x) | |
| 5 | 1500602656 | SPORT G2 2 DOORS BODY | |
| 6 | 1500602657 | SPORT G2 2 DOORS PLATFORM COMPLETE | |



THULE Elite Van XT

MH607-00

| | ART.NR. | DESCRIPTION | |
|---|------------|---|--|
| 1 | 1500603150 | MOUNTING RAIL D/J/B >2007 TOP + BOTTOM | |
| | 1500603217 | MOUNTING RAIL D/J/B >2007 TOP + BOTTOM BLACK | |
| | 1500603218 | MOUNTING RAIL VW CRAFTER>2017 TOP + BOTTOM BLACK | |
| 2 | 1500603151 | MOUNTING RAIL ENDCAP 2PCS | |
| 3 | 1500603152 | MOUNTING RAIL CONNECTION 4PCS | |
| 4 | 302520 | G3 BIKE ARM #1 ACUTIGHT WITH LOCK - ANODISED (12cm) | |
| 5 | 302522 | G3 BIKE ARM #2,5 ACUTIGHT WITH LOCK - ANODISED (30cm) | |
| 4 | 302525 | G3 BIKE ARM #1 ACUTIGHT WITH LOCK - BLACK (12cm) | |
| 5 | 302527 | G3 BIKE ARM #2,5 ACUTIGHT WITH LOCK - BLACK (30cm) | |
| 6 | 1500603153 | COVER STRIP RIBBED 750mm 2PCS | |
| 7 | 1500603154 | ELITE VAN XT FOOT + COVER 2PCS | |
| 8 | 1500603155 | ELITE VAN XT BODY | |
| | 1500603219 | ELITE VAN XT BODY BLACK | |
| 9 | 1500603156 | ELITE VAN XT PLATFORM COMPLETE | |
| | 1500603220 | ELITE VAN XT PLATFORM COMPLETE BLACK | |



THULE Sport G2 Compact

SP620-00

| | ART.NR. | DESCRIPTION | |
|---|------------|---|--|
| 1 | 302520 | G3 BIKE ARM #1 ACUTIGHT WITH LOCK - ANODISED (12cm) | |
| 2 | 302522 | G3 BIKE ARM #2,5 ACUTIGHT WITH LOCK - ANODISED (30cm) | |
| 3 | 1500602378 | SPORT G2 LV ARM (1x) | |
| 4 | 1500602656 | SPORT G2 2 DOORS BODY | |
| 5 | 1500603149 | SPORT G2 COMPACT PLATFORM COMPLETE | |

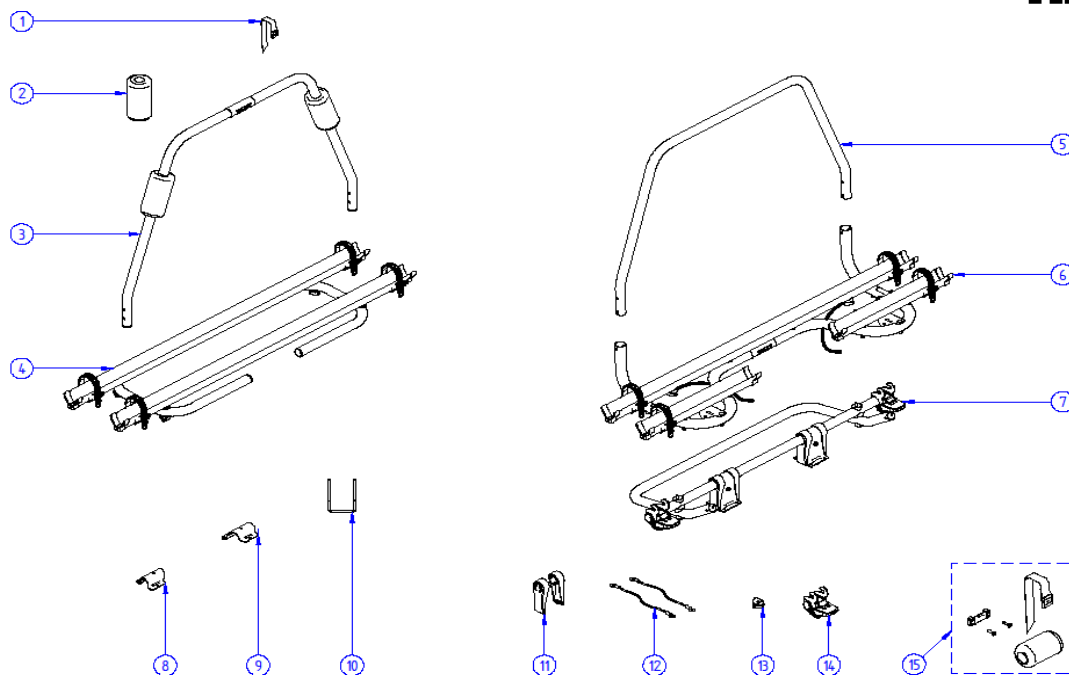
2020 SPARE PARTS LIST

Caravan Light - Caravan Smart - Caravan Smart Eriba Touring

THULE
SWEDEN

SP612

THULE
SWEDEN



THULE Caravan Light / Smart

SP612-05

| ART.NR. | DESCRIPTION | |
|--------------------------------------|-------------|---|
| Caravan Light | | |
| 1 | 306566 | BRAKE STRAPS |
| 2 | 1500602748 | FOAM PADS 30x75x150mm (2 PCS) |
| 3 | 1500602766 | CARAVAN LIGHT SUPPORT BAR |
| 4 | 1500602767 | CARAVAN LIGHT PLATFORM COMPLETE |
| Caravan Smart | | |
| 5 | 1500602768 | CARAVAN SMART / SUPERB SUPPORT BAR |
| 6 | 1500602769 | CARAVAN SMART PLATFORM COMPLETE |
| 7 | 1500602770 | CARAVAN SMART BASE |
| 11 | 1500602899 | CARAVAN SMART/ SUPERB FOOT COVER (2X) |
| 12 | 1500603486 | CARAVAN SMART TILT STOP CORD - 350MM (2x) |
| 13 | 1500602960 | CARAVAN SMART/SUPERB FIXATION TILT STOP (2x) |
| 14 | 1500602864 | CARAVAN SMART / SUPERB PLATFORM LOCK SET V2 |
| Caravan Smart Eriba Touring | | |
| 5 | 1500603221 | CARAVAN SMART ERIBA TOURING SUPPORT BAR |
| 6 | 1500602769 | CARAVAN SMART PLATFORM COMPLETE |
| 7 | 1500602770 | CARAVAN SMART BASE |
| 11 | 1500602899 | CARAVAN SMART/ SUPERB FOOT COVER (2X) |
| 12 | 1500603486 | CARAVAN SMART TILT STOP CORD - 350MM (2x) |
| 13 | 1500602960 | CARAVAN SMART/SUPERB FIXATION TILT STOP (2x) |
| 14 | 1500602864 | CARAVAN SMART / SUPERB PLATFORM LOCK SET V2 |
| 15 | 1500603222 | BRACKET + STRAP + FOAM PAD |
| Common parts for all A-frames | | |
| 8 | 1500602774 | FIXATION PLATE D30 RH, BLACK |
| 9 | 1500602773 | FIXATION PLATE D30 LH, BLACK |
| 10 | 1500601980 | U-BOLT M6 x 135/78/135 (1pcs) |
| | 308140 | U-BOLTS XL M6 x 160/78/160 (4pcs) (sold per 5 sets) |

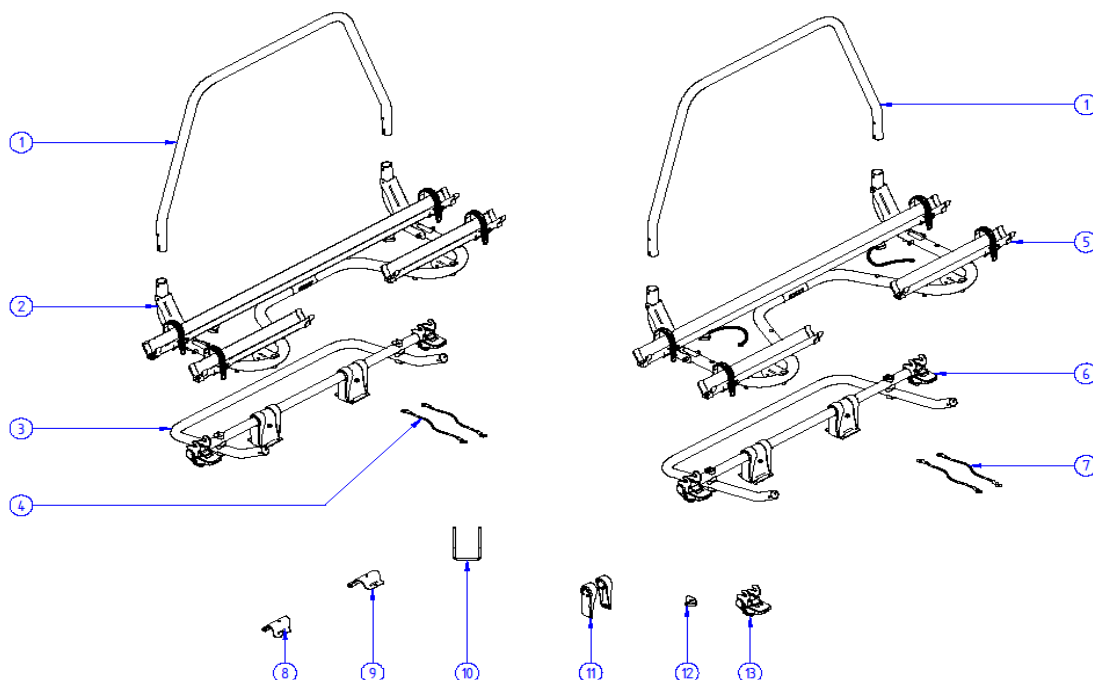
2020 SPARE PARTS LIST

Caravan Superb - Caravan Superb SV

THULE
SWEDEN

SP624

THULE
SWEDEN



THULE Caravan Superb / Superb SV

SP624-00

| ART.NR. | DESCRIPTION | |
|--------------------------------------|-------------|---|
| Caravan Superb SV | | |
| 1 | 1500602768 | CARAVAN SMART / SUPERB SUPPORT BAR |
| 2 | 1500602808 | CARAVAN SUPERB SV PLATFORM COMPLETE |
| | 1500602987 | CARAVAN SUPERB SV 2016 PLATFORM COMPLETE |
| 3 | 1500602770 | CARAVAN SUPERB SV BASE |
| | 1500602988 | CARAVAN SUPERB SV 2016 BASE |
| 4 | 1500603487 | CARAVAN SUPERB SV TILT STOP CORD - 450MM (2x) |
| 11 | 1500602899 | CARAVAN SMART/ SUPERB FOOT COVER (2X) |
| 12 | 1500602960 | CARAVAN SMART/SUPERB FIXATION TILT STOP (2x) |
| 13 | 1500602864 | CARAVAN SMART / SUPERB PLATFORM LOCK SET V2 |
| Caravan Superb | | |
| 1 | 1500602768 | CARAVAN SMART / SUPERB SUPPORT BAR |
| 5 | 1500602771 | CARAVAN SUPERB PLATFORM COMPLETE |
| 6 | 1500602772 | CARAVAN SUPERB BASE |
| 7 | 1500603488 | CARAVAN SUPERB TILT STOP CORD - 550MM (2x) |
| 11 | 1500602899 | CARAVAN SMART/ SUPERB FOOT COVER (2X) |
| 12 | 1500602960 | CARAVAN SMART/SUPERB FIXATION TILT STOP (2x) |
| 13 | 1500602864 | CARAVAN SMART / SUPERB PLATFORM LOCK SET V2 |
| Common parts for all A-frames | | |
| 8 | 1500602774 | FIXATION PLATE D30 RH BLACK |
| 9 | 1500602773 | FIXATION PLATE D30 LH BLACK |
| 10 | 1500601980 | U-BOLT M6 x 135/78/135 (1x) |
| | 308140 | U-BOLT M6 x 160/78/160 (4x) (sold per 5 sets) |

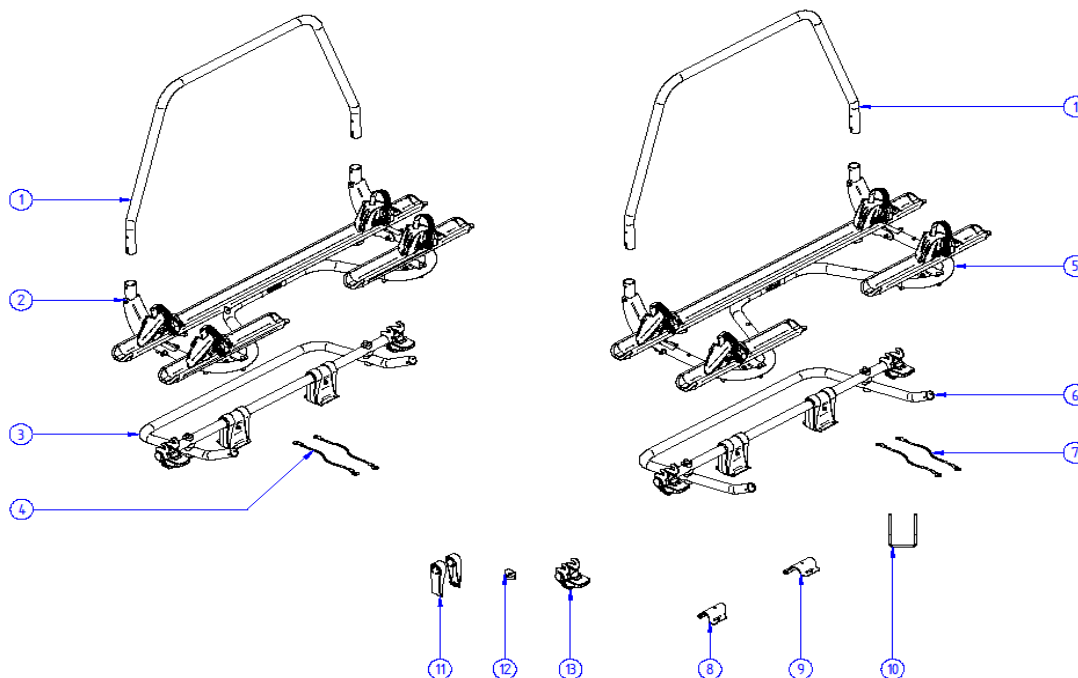
2020 SPARE PARTS LIST

Caravan Superb XT Black - Caravan Superb XT Black SV

THULE
SWEDEN

SP623

THULE
SWEDEN



THULE caravan Superb XT / Superb SV XT

SP623-01

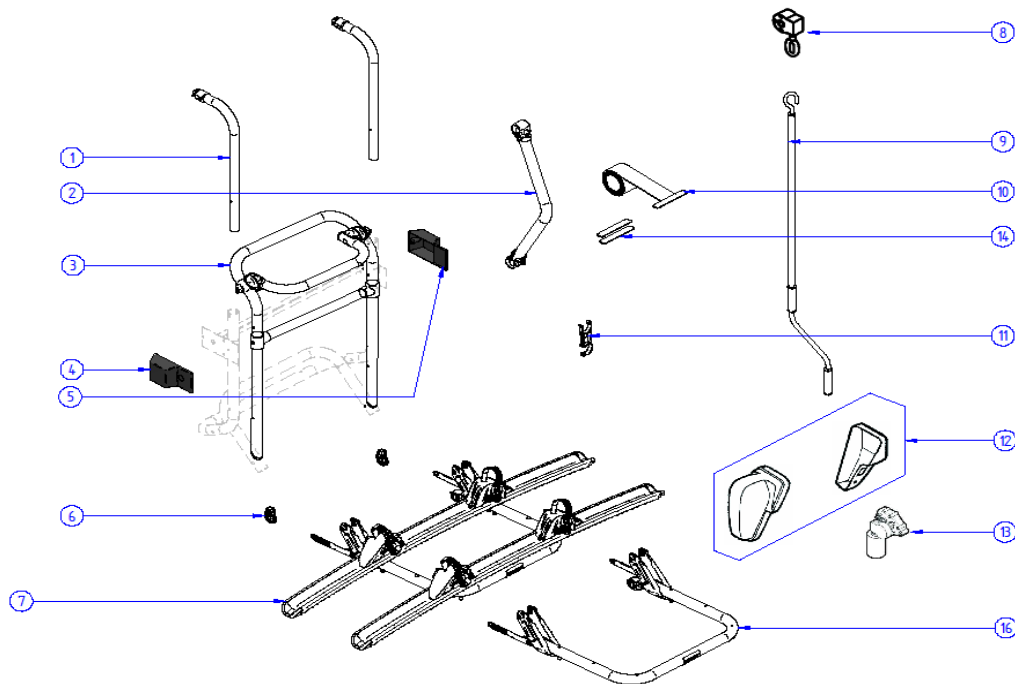
| ART.NR. | DESCRIPTION | |
|--------------------------------------|-------------|---|
| Caravan Superb XT SV | | |
| 1 | 1500603223 | CARAVAN SUPERB XT SUPPORT BAR BLACK |
| 2 | 1500603224 | CARAVAN SUPERB XT SV PLATFORM COMPLETE BLACK |
| 3 | 1500603225 | CARAVAN SUPERB XT SV BASE BLACK |
| 4 | 1500603487 | CARAVAN SUPERB SV TILT STOP CORD - 450MM (2x) |
| 11 | 1500602899 | CARAVAN SUPERB XT FOOT COVER (2x) |
| 12 | 1500602960 | CARAVAN SUPERB XT FIXATION TILT STOP (2x) |
| 13 | 1500602864 | CARAVAN SUPERB XT PLATFORM LOCK SET V2 (2x) |
| Caravan Superb XT | | |
| 1 | 1500603223 | CARAVAN SUPERB XT SUPPORT BAR BLACK |
| 5 | 1500603226 | CARAVAN SUPERB XT PLATFORM COMPLETE BLACK |
| 6 | 1500603227 | CARAVAN SUPERB XT BASE BLACK |
| 7 | 1500603488 | CARAVAN SUPERB TILT STOP CORD - 550MM (2x) |
| 11 | 1500602899 | CARAVAN SUPERB XT FOOT COVER (2x) |
| 12 | 1500602960 | CARAVAN SUPERB XT FIXATION TILT STOP (2x) |
| 13 | 1500602864 | CARAVAN SUPERB XT PLATFORM LOCK SET V2 (2x) |
| Common parts for all A-frames | | |
| 8 | 1500602774 | FIXATION PLATE D30 RH BLACK |
| 9 | 1500602773 | FIXATION PLATE D30 LH BLACK |
| 10 | 1500601980 | U-BOLT M6 x 135/78/135 (1x) |
| | 308140 | U-BOLT M6 x 160/78/160 (4x) (sold per 5 sets) |

2020 SPARE PARTS LIST
Lift V16 Manual - Lift V16 12V

THULE
SWEDEN

OBL606

THULE
SWEDEN



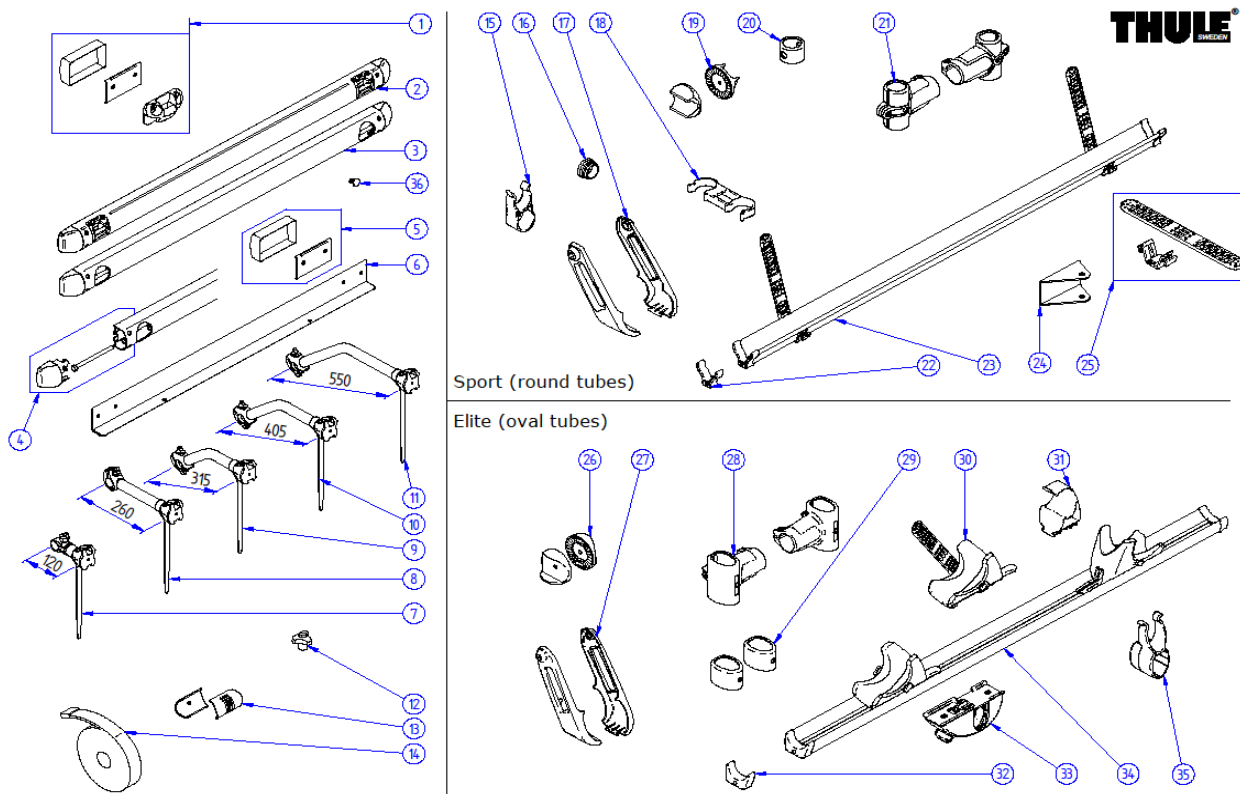
THULE Lift V16

OBL606-02

| | ART.NR. | DESCRIPTION | |
|----|------------|--|--|
| 1 | 1500603103 | LIFT V16 ARM (1x) | |
| | 307371 | LIFT V16 EXTENSION ARMS 150CM (2pcs) | |
| 2 | 1500603104 | LIFT V16 TIE TUBE (1x) | |
| 3 | 1500603105 | LIFT V16 SUPPORTING FRAME | |
| 4 | 1500603106 | LIFT V16 SIDEPLATE COVER BLACK LH - MANUAL & 12V | |
| 5 | 1500603107 | LIFT V16 SIDEPLATE COVER BLACK RH - MANUAL | |
| 6 | 1500603108 | LIFT V16 TUBE STOP 40° (2pcs) | |
| 7 | 1500603109 | LIFT V16 PLATFORM COMPLETE | |
| 8 | 1500601972 | LIFT MANUAL GEAR | |
| 9 | 1500601973 | LIFT MANUAL HAND CRANK 100cm | |
| | 1500603148 | LIFT MANUAL HAND CRANK 70cm | |
| 10 | 1500600467 | LIFT STRAP - 2PCS | |
| 11 | 1500602622 | G2 PLATFORM HOLDER 34/34 (1x) | |
| 12 | 1500603110 | LIFT V16 12V MOTOR COVER RH BLACK - 2PCS | |
| 13 | 1500600504 | LIFT 12V MOTOR | |
| 14 | 1500603177 | REPAIR KIT LIFT INSERT PULL STRAPS | |
| 15 | 1500603118 | REPAIR KIT LIFT MOTOR GEAR | |
| 16 | 1500603484 | LIFT V16 PLATFORM WITHOUT RAILS | |

2020 SPARE PARTS LIST

Sport & Elite - common parts



THULE Sport & Elite - common parts

BA812-01

| ART.NR. | DESCRIPTION |
|---------|--|
| 1 | SPORT/ELITE UPPER FIXATION KIT (2x) |
| 2 | TOP MOUNTING RAIL |
| 3 | BOTTOM MOUNTING RAIL |
| | 308954 BOTTOM MOUNTING RAIL BLIND |
| 4 | SPORT/ELITE CAP MOUNTING PROFILE + BOLT (2x) |
| 5 | LOWER FIXATION KIT INSIDE (2x) |
| 6 | ANGLE SUPPORT RAIL NORMAL |
| | 1500600436 ANGLE SUPPORT RAIL LIFT |
| | 1500601518 ANGLE SUPPORT RAIL DUCATO |
| 7 | SPORT/ELITE BIKE HOLDER #1 (14 CM) |
| 8 | SPORT/ELITE BIKE HOLDER #2 (28 CM) |
| 9 | SPORT/ELITE BIKE HOLDER #2/3 (33 CM) |
| 10 | SPORT/ELITE BIKE HOLDER #3 (42 CM) |
| 11 | SPORT/ELITE BIKE HOLDER #4 (56 CM) |
| 12 | KNOB WITH NUT |
| 13 | SHELLS 30/34 FOR BIKE HOLDERS (10x) |
| 14 | STRAP 15 MM BLUE L=2,0M |
| 15 | SPORT RACKCLIP |
| 16 | TUBE PLUG BLACK DIA 34 |
| 17 | SPORT HINGE COVERS |
| 18 | SPORT PLATFORM HOLDER (2x) |
| 19 | SPORT SERRATED PIECES |
| 20 | CONNECTION PIECE DIA. 34/30 |
| 21 | SPORT T-PIECES |
| 22 | SPORT ENDCAP V-RAIL (4x) |
| 23 | SPORT V-RAIL COMPLETE |
| 24 | FOOT SUPPORT OMNIBIKE |
| 25 | SPORT WHEEL STRAPS (x6) |
| 26 | ELITE SERRATED PIECES |
| 27 | ELITE HINGE COVERS |
| 28 | ELITE T-PIECES |
| 29 | ELITE CONNECTION PIECES (TUBES 48/42) |

2020 SPARE PARTS LIST

THULE
SWEDEN

Sport & Elite - common parts

BA812

| | | | |
|----|------------|---------------------------------|--|
| 30 | 1500600551 | ELITE WHEEL HOLDER | |
| 31 | 1500601999 | ELITE PLATFORM HOLDER | |
| 32 | 1500600553 | ELITE END CAP BIKE RAIL (x4) | |
| 33 | 1500600552 | ELITE RAILSLIDER | |
| 34 | 1500600580 | ELITE RAIL WITHOUT RAILSLIDERS | |
| | 1500600581 | ELITE RAIL WITH RAILSLIDERS | |
| 35 | 1500602021 | ELITE RACK CLIP | |
| 36 | 1500602750 | MOUNTING RAIL SCREW NAIL (x100) | |

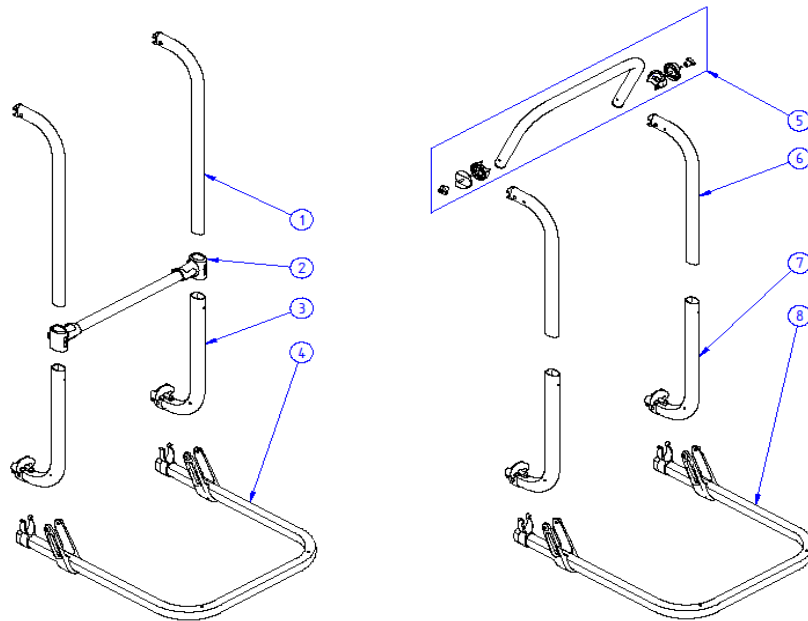
2020 SPARE PARTS LIST

Elite LV - Elite SV

THULE
SWEDEN

EL715

THULE
SWEDEN



THULE Elite - Elite SV

EL715-01

| ART.NR. | DESCRIPTION |
|--------------------------------------|---|
| Elite long version - 2 bikes | |
| 1 | 1500600563 ELITE ARM (1x) |
| 2 | 1500600577 ELITE CROSSBAR + T-PIECES |
| 3 | 1500600578 ELITE BODY (1x) |
| 4 | 1500602366 ELITE PLATFORM WITHOUT RAILS |
| Elite short version - 2 bikes | |
| 5 | 1500600582 ELITE SV CROSSBAR |
| 6 | 1500600583 ELITE SV ARM (1x) |
| 7 | 1500600584 ELITE SV BODY (1x) |
| 8 | 1500602366 ELITE PLATFORM WITHOUT RAILS |

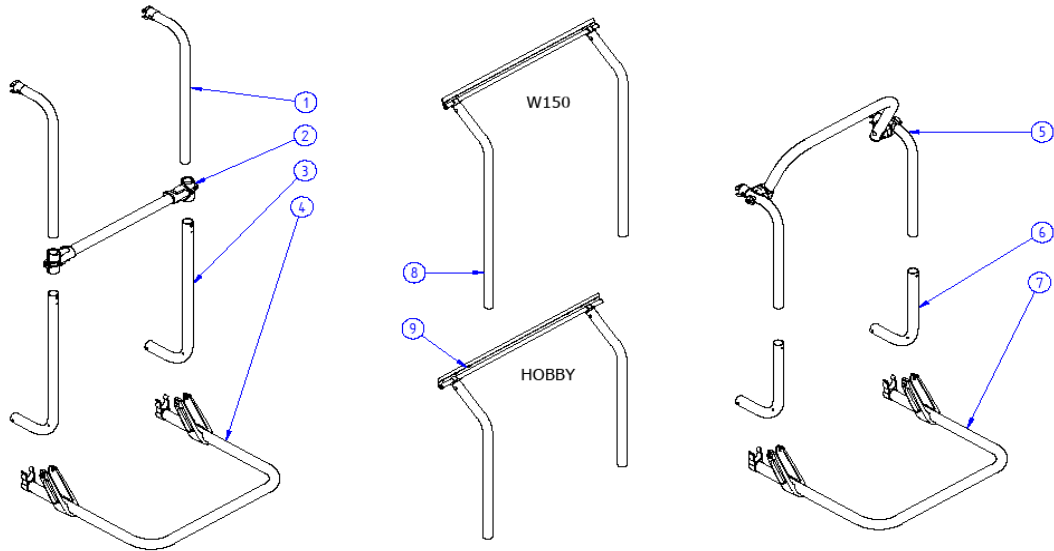
2020 SPARE PARTS LIST

Sport LV - Sport SV - Sport W150 - Sport Hobby

THULE
SWEDEN

BA718

THULE
SWEDEN



THULE Sport - Sport SV - Sport W150 - Sport Hobby

BA718-00

| ART.NR. | DESCRIPTION |
|---|---|
| Sport long version | |
| 1 | 1500600530 SPORT ARM (1x) |
| 2 | 1500600535 SPORT CROSSBAR + T-PIECES |
| 3 | 1500600536 SPORT BODY (1x) |
| 4 | 1500602361 SPORT PLATFORM WITHOUT RAILS |
| Sport short version - 2 bikes | |
| 5 | 1500600541 SPORT VS ARMS + CROSSBAR |
| 6 | 1500600542 SPORT SV BODY (1x) |
| 7 | 1500602361 SPORT PLATFORM WITHOUT RAILS |
| Sport W150 & Sport Hobby - 2 bikes | |
| 8 | 1500601502 SPORT W150 ARM+SUSPENSION PROFILE |
| 9 | 1500601503 SPORT HOBBY ARM+SUSPENSION PROFILE |

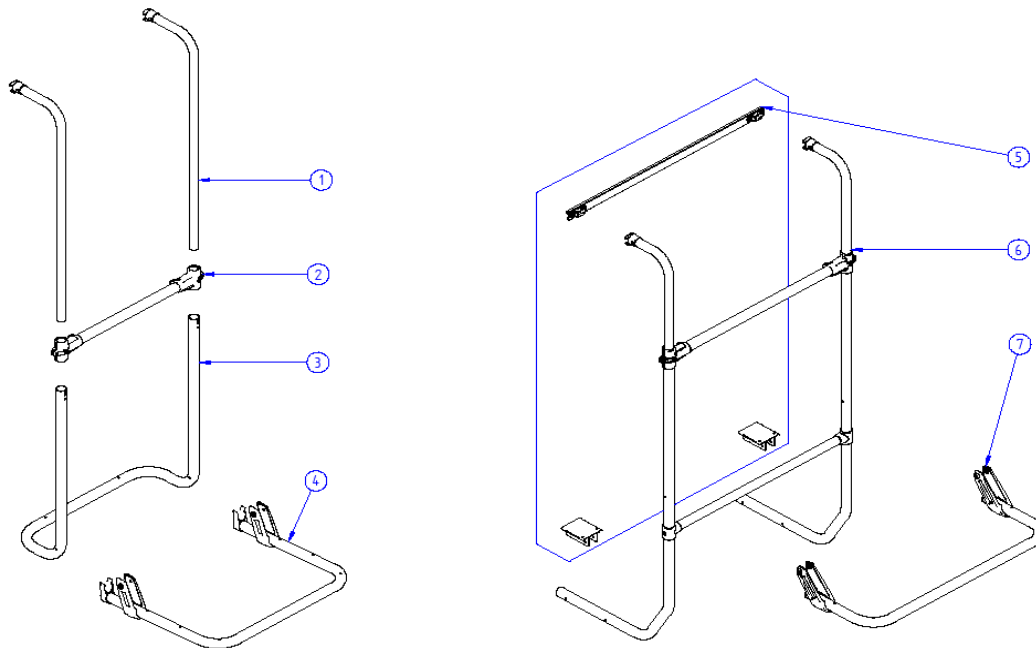
2020 SPARE PARTS LIST

Sport caravan tour - Sport caravan universal

THULE
SWEDEN

BA810

THULE
SWEDEN



THULE Sport caravan tour - Sport caravan universal

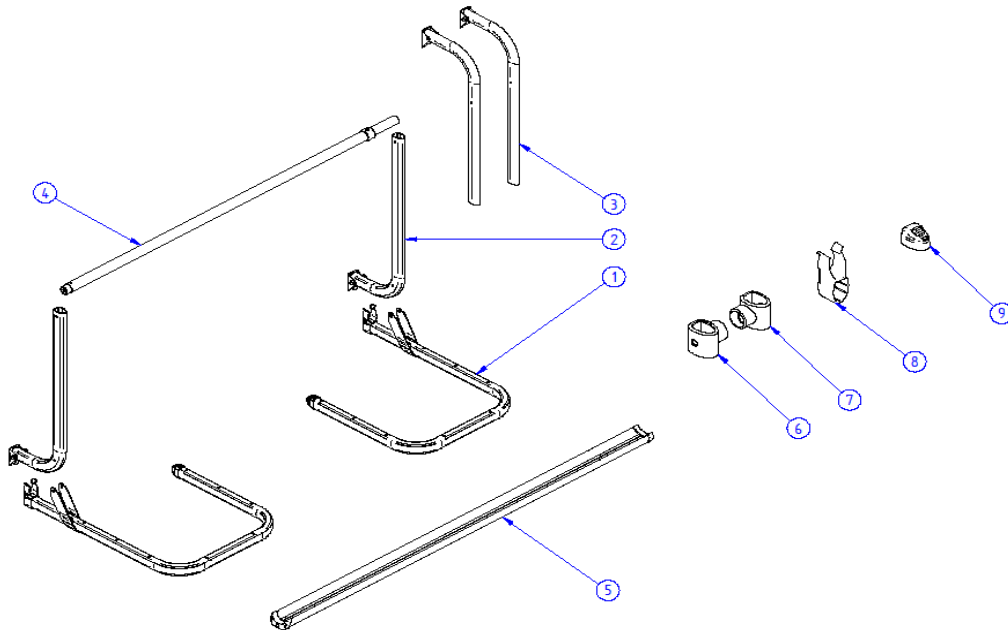
BA810-00

| ART.NR. | DESCRIPTION |
|--|--|
| Sport caravan tour - 2 bikes | |
| 1 | SPORT CARAVAN TOUR ARM (1x) |
| 2 | SPORT CROSSBAR + T-PIECES |
| 3 | SPORT CARAVAN TOUR BODY |
| 4 | SPORT PLATFORM WITHOUT RAILS |
| Sport caravan universal - 2 bikes | |
| 5 | SPORT CAR.UNIVERSAL FIXATION PROFILE |
| 6 | SPORT CAR.UNIVERSAL FRAME COMPLETE |
| 7 | SPORT CAR.UNIVERSAL PLATFORM WITHOUT RAILS |

2020 SPARE PARTS LIST
Elite Eura Cargo - 3 bikes

THULE
SWEDEN
OBM725

THULE
SWEDEN



THULE Omnibike Elite Euracargo

OBM725-02

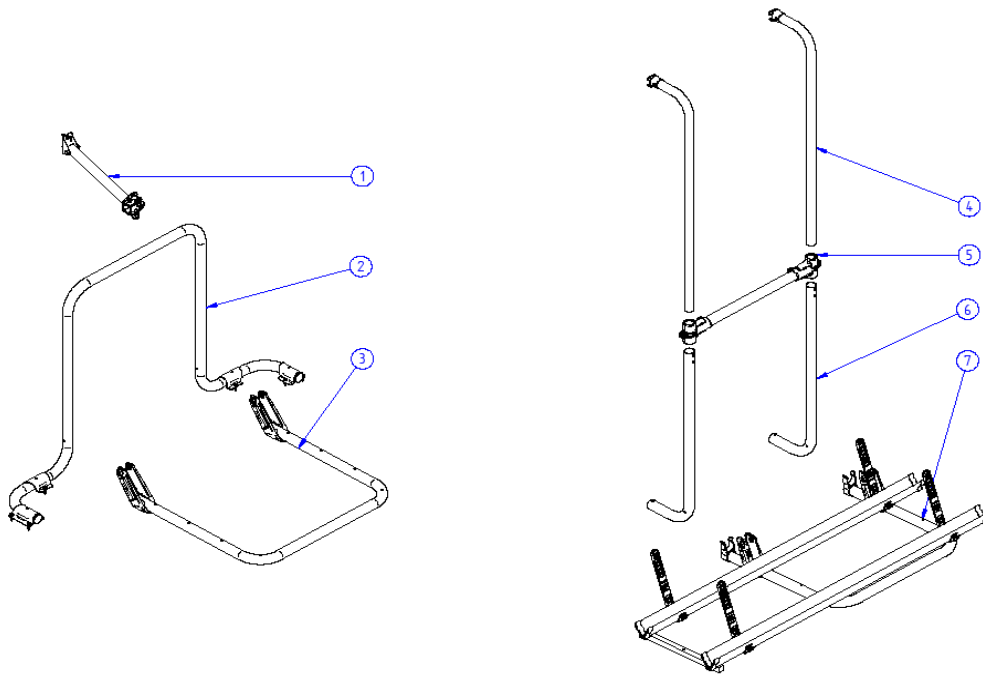
| | ART.NR. | DESCRIPTION | |
|---|------------|--------------------------------------|--|
| 1 | 1500601710 | ELITE EURA CARGO PLATFORM (2x) | |
| 2 | 1500600463 | ELITE EURA CARGO BASEFRAME BASE (1x) | |
| 3 | 1500602176 | ELITE EURA CARGO BASEARM (1x) | |
| 4 | 1500602177 | ELITE EURA CARGO CROSSBAR | |
| 5 | 1500602371 | ELITE EURA CARGO BIKERAIL 157cm | |
| 6 | 1500601994 | T-PIECE LH | |
| 7 | 1500601995 | T-PIECE RH | |
| 8 | 1500601992 | ENDCAP PLATFORM | |
| 9 | 1500602041 | OVAL PLUG GREY | |

2020 SPARE PARTS LIST
Sport garage - Sport 2 doors

THULE
SWEDEN

BA811

THULE
SWEDEN



THULE Sport garage - Sport 2 doors

BA811-00

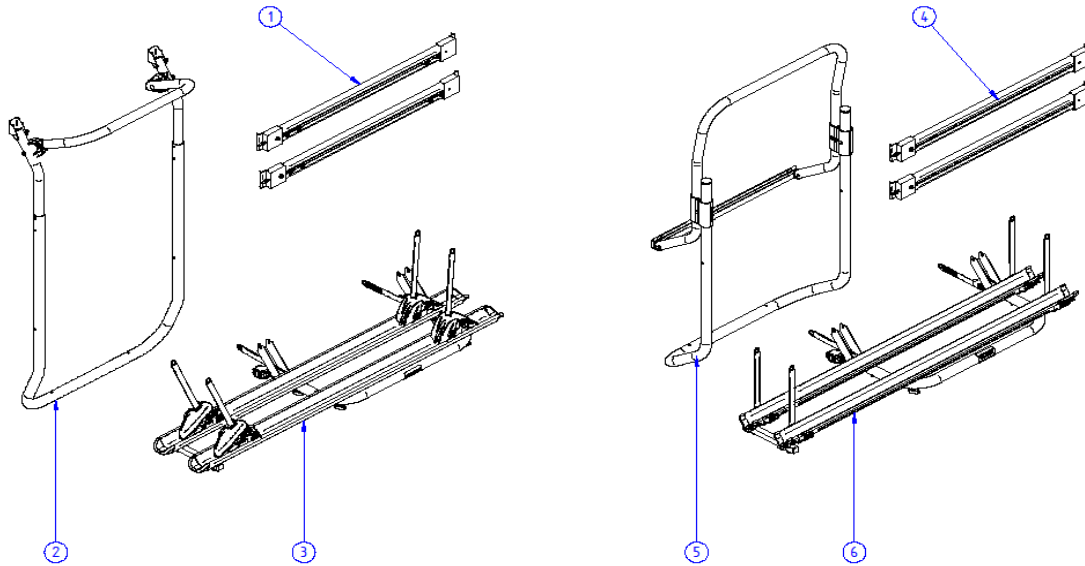
| ART.NR. | DESCRIPTION |
|---------------------------------|--|
| Sport 2 garage - 2 bikes | |
| 1 | 1500601504 SPORT GARAGE WALL FIXATION |
| 2 | 1500601505 SPORT GARAGE FRAME |
| 3 | 1500602365 SPORT GARAGE PLATFORM WITHOUT RAILS |
| Sport 2 doors - 2 bikes | |
| 4 | 1500600530 SPORT ARM (1x) |
| 5 | 1500601500 SPORT 2 DOORS CROSSBAR + T-PIECES |
| 6 | 1500601507 SPORT 2 DOORS BODY |
| 7 | 1500601501 SPORT 2 DOORS PLATFORM COMPLETE |

2020 SPARE PARTS LIST
Elite G2 van - Sport G2 van

THULE
SWEDEN

MH606

THULE
SWEDEN

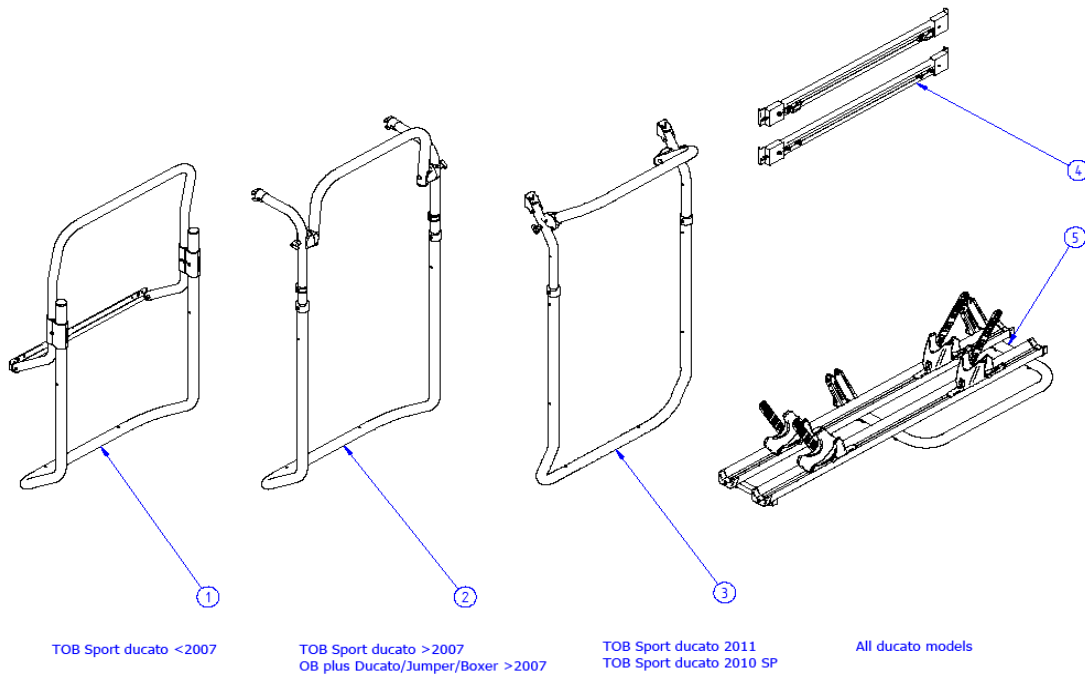


THULE Elite G2 van / Sport G2 van

MH606-00

| | ART.NR. | DESCRIPTION | |
|---|------------|--|--|
| 1 | 1500602643 | ADAPTION RAIL SET DUCATO SINCE 2007 (2 rails) | |
| 2 | 1500602644 | ELITE G2 VAN BODY | |
| 3 | 1500602645 | ELITE G2 VAN PLATFORM COMPLETE | |
| 4 | 1500602646 | ADAPTION RAIL SET DUCATO BEFORE 2007 (2 rails) | |
| 5 | 1500602647 | SPORT G2 VAN BODY | |
| 6 | 1500602648 | SPORT G2 VAN PLAFORM COMPLETE | |

2020 SPARE PARTS LIST
Sport Ducato - 2 bikes



THULE Sport Ducato before 2007 - Ducato 2007 to 2010 - Ducato since 2011

BA808-00

| | ART.NR. | DESCRIPTION | |
|---|------------|--|--|
| 1 | 1500601519 | SPORT DUCATO 2006 FRAME | |
| 2 | 1500601520 | SPORT DUCATO 2007 FRAME | |
| 3 | 1500602362 | SPORT DUCATO 2011 FRAME | |
| 4 | 1500602643 | ADAPTION RAIL SET DUCATO SINCE 2007 (2 rails) | |
| | 1500602646 | ADAPTION RAIL SET DUCATO BEFORE 2007 (2 rails) | |
| 5 | 1500602363 | SPORT DUCATO PLATFORM COMPLETE | |

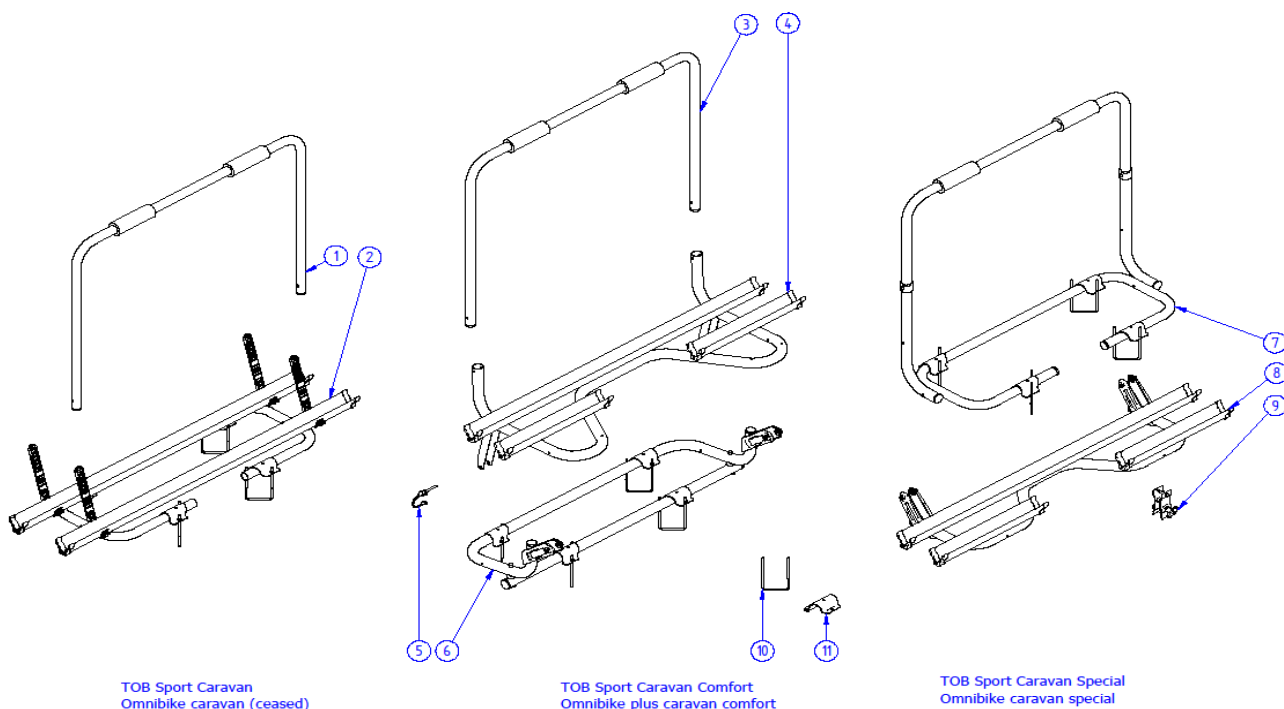
2020 SPARE PARTS LIST

Sport caravan - Sport caravan comfort - Sport caravan special

THULE
SWEDEN

BA809

THULE
SWEDEN



THULE Sport Caravan - Caravan Comfort - Caravan Special

BA809-00

| ART.NR. | DESCRIPTION |
|--|--|
| Sport caravan - 2 bikes | |
| 1 | 1500601510 SPORT CARAVAN BASEFRAME |
| 2 | 1500601511 SPORT CARAVAN PLATFORM COMPLETE |
| Sport caravan comfort - 2 bikes | |
| 3 | 1500601517 SPORT CAR.COMFORT SUPPORT BAR |
| 4 | 1500600477 SPORT CAR.COMFORT PLATFORM COMPLETE |
| 5 | 1500601981 SPORT CAR.COMFORT SECURITY PIN (1X) |
| 6 | 1500601496 SPORT CAR.COMFORT BASE WITH LOAD TUBE |
| Sport caravan special - 2 bikes | |
| 7 | 1500601497 SPORT CARAVAN SPECIAL BASE + SUPPORT BAR |
| 8 | 1500601498 SPORT CARAVAN SPECIAL PLATFORM COMPLETE |
| 9 | 1500601495 SPORT CARAVAN SPECIAL SUPPORT FOR PLATFORM (1x) |
| Common parts for all A-frames | |
| 10 | 1500601980 U-BOLT M6 x 135/78/135 |
| 11 | 1500602773 FIXATION PLATE D30 LH, for caravan & special |
| | 1500602774 FIXATION PLATE D30 RH, for caravan & special |
| | 1500601977 FIXATION PLATE D34 LH, for comfort |
| | 1500601978 FIXATION PLATE D34 RH, for comfort |

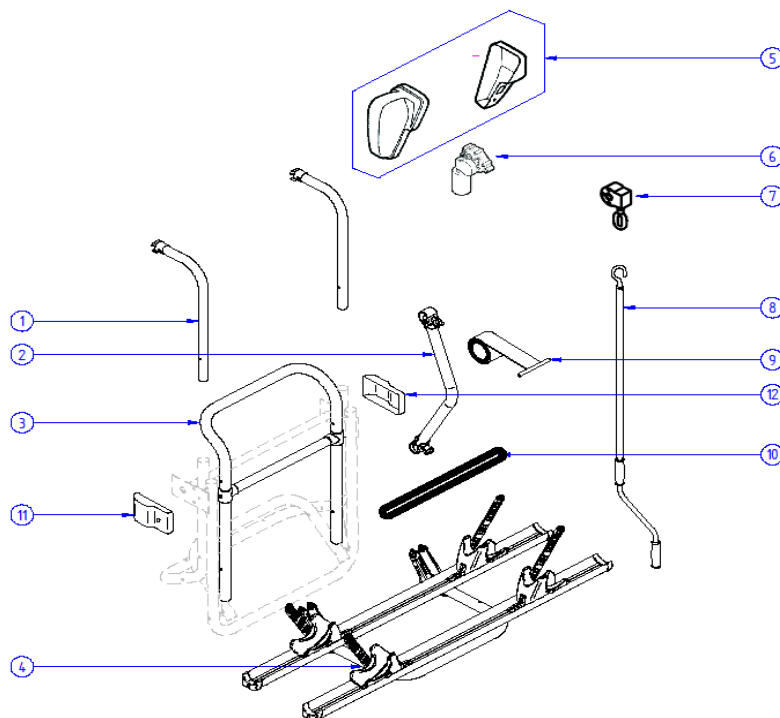
2020 SPARE PARTS LIST

Lift Manual - Lift 12V

THULE
SWEDEN

OBL708

THULE
SWEDEN



THULE Lift since 2010

OBL708-02

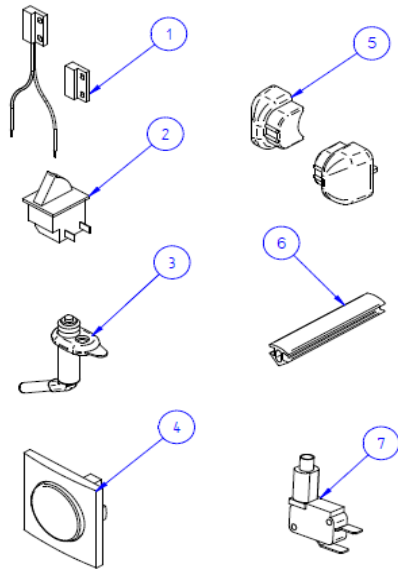
| | ART.NR. | DESCRIPTION | |
|----|------------|--|---------------------|
| 1 | 1500602372 | LIFT ARM (1x), SINCE 2011 | |
| | 1500602705 | LIFT ARM (1x), UNTIL 2011 | |
| | 306469 | LIFT EXTENSION ARMS 150CM, SINCE 2011 - 2PCS | |
| | 1500602706 | LIFT EXTENSION ARMS 150CM, UNTIL 2011 - 2PCS | |
| 2 | 1500602048 | LIFT TIE TUBE | |
| 3 | 1500602106 | LIFT SUPPORTING FRAME 481MM, SINCE 2010 | |
| | 1500602108 | LIFT SUPPORTING FRAME 511MM | no longer available |
| 4 | 1500602373 | LIFT PLATFORM COMPLETE, SINCE 2010 | |
| 5 | 1500600505 | LIFT 12V MOTOR COVER WHITE - 2PCS | no longer available |
| | 1500603110 | LIFT V16 12V MOTOR COVER RH BLACK - 2PCS | |
| 6 | 1500600504 | LIFT 12V MOTOR | |
| 7 | 1500601972 | LIFT MANUAL GEAR | |
| 8 | 1500601973 | LIFT MANUAL HAND CRANK | |
| 9 | 1500600467 | LIFT STRAP - 2PCS | |
| 10 | 1500602000 | LIFT RUBBER ELASTIC | |
| 11 | 1500600506 | LIFT SIDEPLATE COVER WHITE LH - MANUAL & 12V | no longer available |
| | 1500603106 | LIFT V16 SIDEPLATE COVER BLACK LH - MANUAL & 12V | |
| 12 | 1500601746 | LIFT SIDEPLATE COVER WHITE RH - MANUAL | no longer available |
| | 1500603107 | LIFT V16 SIDEPLATE COVER BLACK RH - MANUAL | |

2020 SPARE PARTS LIST
STEP COMMON PARTS

THULE
SWEDEN

OSE601

THULE
TRUCKS



THULE general parts steps

OSE601-03

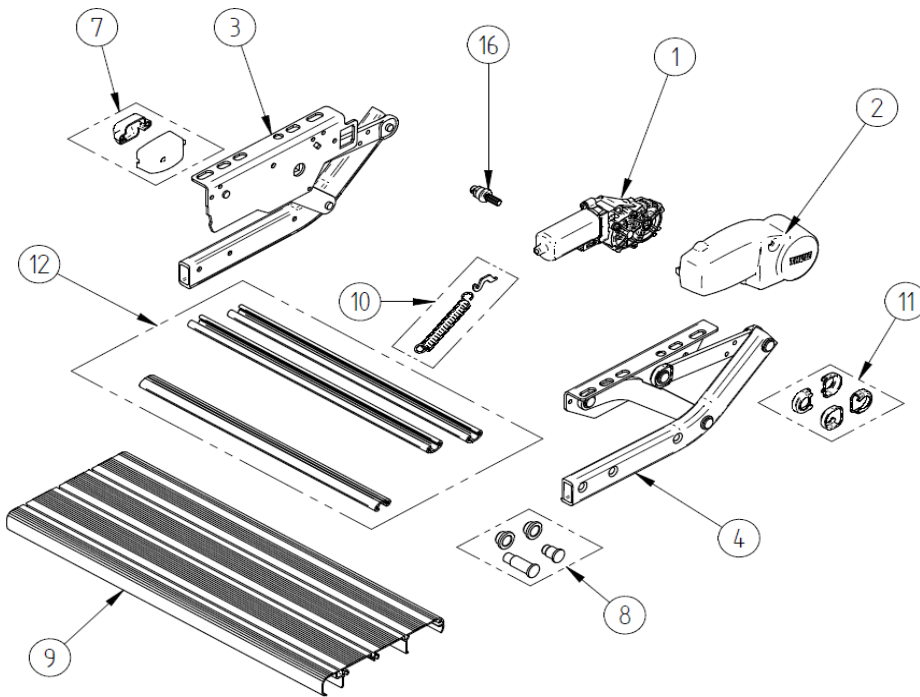
| | ART.NR. | DESCRIPTION | |
|---|------------|---|--|
| 1 | 1500602761 | DOOR REED SWITCH ELECTRONIC | |
| 2 | 1500601921 | ALARM SWITCH FOR SINGLE STEP AND SLIDE-OUT STEP | |
| 3 | 1500600394 | ALARM SWITCH FOR MANUAL STEP 47 | |
| 4 | 1500600404 | CONTROL SWITCH | |
| 5 | 1500601378 | LH & RH PLUG FOOTBOARD | |
| | 1500602747 | LH & RH PLUG FOOTBOARD BLACK | |
| 6 | 1500600433 | ANTI-SLIP FOOTB.V03-3MTR-BLACK | |
| 7 | 1500602669 | ALARM SWITCH FOR DOUBLE STEP | |

2020 SPARE PARTS LIST
SINGLE STEP V10 & V15

THULE
SWEDEN

V01 - OSE600 / OSE602

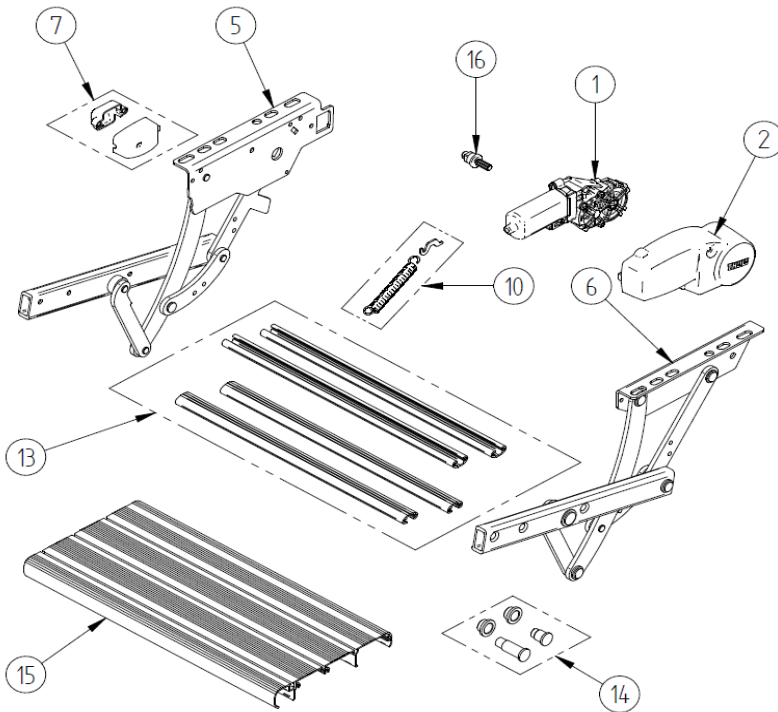
THULE



THULE Single step V15 12V & Manual

OSE600-02

THULE



THULE Single step V15 12V460 Short

OSE602-02

2020 SPARE PARTS LIST
SINGLE STEP V10 & V15

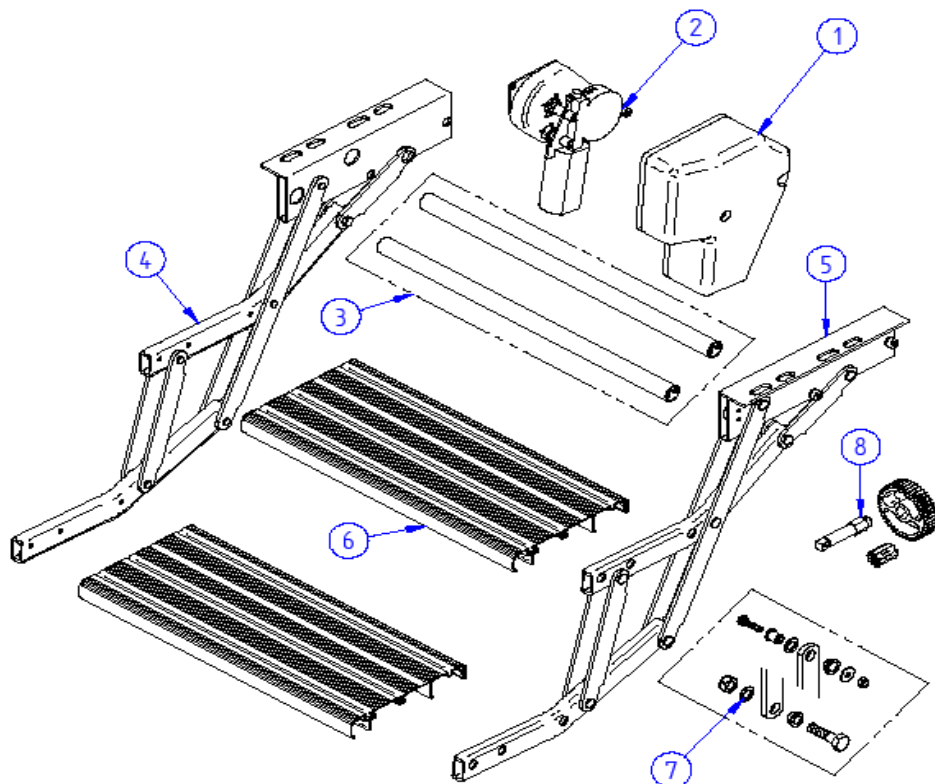


V01 - OSE600 / OSE602

| | ART.NR. | DESCRIPTION | |
|----|------------|--|--|
| 1 | 1500602970 | 12V MOTOR WITH SHAFT THULE STEP V15 | |
| 2 | 1500602264 | MOTOR COVER THULE STEP V10 | |
| 3 | 1500602265 | LH SIDE ASSY THULE STEP V10 | |
| 4 | 1500602266 | RH SIDE ASSY THULE STEP V10 | |
| 5 | 1500602267 | LH SIDE ASSY THULE STEP V10 SHORT | |
| 6 | 1500602268 | RH SIDE ASSY THULE STEP V10 SHORT | |
| 7 | 1500602272 | SWITCH PROTECTION COVER V10 (2PCS) | |
| 8 | 1500602273 | REPAIR KIT RIVET THULE STEP V10 | |
| 9 | 308251 | FOOT BOARD SINGLE STEP 12V460 | |
| | 1500602271 | FOOT BOARD SINGLE STEP 12V520 | |
| | 308253 | FOOT BOARD SINGLE STEP 12V550 – MANUAL 550 | |
| 10 | 1500602274 | SPRING ASSY THULE STEP V10 (2PCS) | |
| 11 | 1500602971 | SHOCK ABSORBER THULE STEP V15 - 4PCS | |
| 12 | 1500602276 | CON.PROFILES THULE STEP 460 V10 (3PCS) | |
| | 1500602277 | CON. PROFILES THULE STEP 520 V10 (3PCS) | |
| | 1500602278 | CON. PROFILES THULE STEP 550 V10 (3PCS) | |
| 13 | 1500602279 | CON PROFILES THULE STEP 460 V10 SHORT (4PCS) | |
| | 1500602956 | CON PROFILES THULE STEP 630 V10 SHORT (4PCS) | |
| 14 | 1500602269 | REPAIR KIT RIVET THULE STEP V10 SHORT | |
| 15 | 1500602270 | FOOT BOARD 12V460 SHORT V10 | |
| | 1500602957 | FOOT BOARD 12V630 SHORT V10 | |
| 16 | 1500603114 | MOTOR SHAFT AND BUSHING V15 | |

2020 SPARE PARTS LIST
DOUBLE STEP 12V380 - 12V440 - 12V500 - 12V550

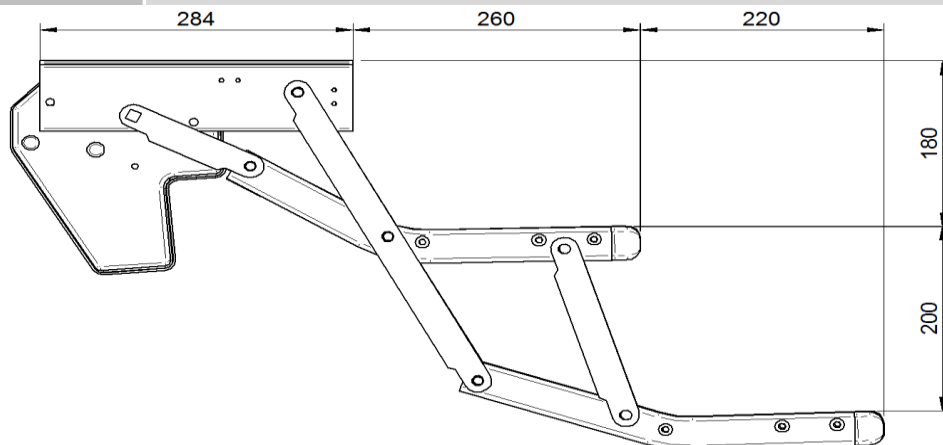
THULE
 SWEDEN
 V01 – DDS 605



THULE Double step 12V ALU

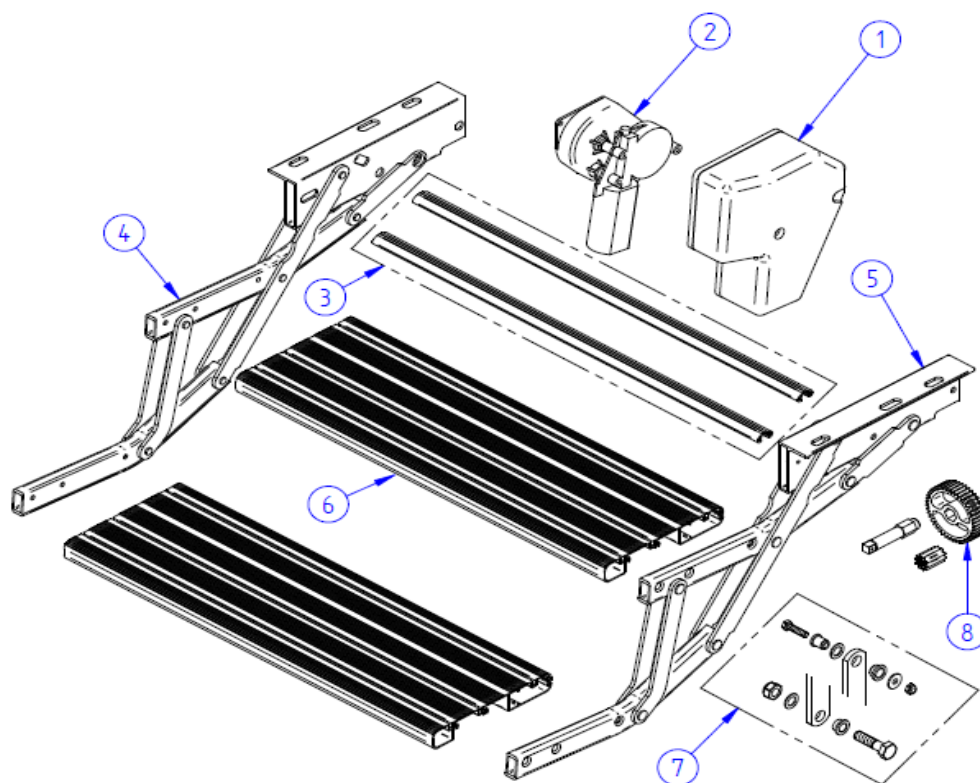
DDS605-00

| | ART.NR. | DESCRIPTION |
|---|------------|--|
| 1 | 1500600410 | MOTOR CAP DOUBLE STEP (2PCS) |
| 2 | 1500600416 | 12V MOTOR ASSY DOUBLE STEP |
| 3 | 1500601928 | FRAME CON. TUBE D12V380 – 2PC |
| | 1500600417 | FRAME CON. TUBE D12V440 – 2PC |
| | 1500601432 | FRAME CON. TUBE D12V500 – 2PC |
| | 1500602280 | FRAME CON. TUBE D12V550 – 2PC |
| 4 | 1500600418 | LH SCISSOR ASSY DOUBLE STEP |
| | 1500603173 | LH SCISSOR ASSY DOUBLE STEP 12V550 HYMER |
| 5 | 1500600419 | RH SCISSOR ASSY DOUBLE STEP |
| | 1500603174 | RH SCISSOR ASSY DOUBLE STEP 12V550 HYMER |
| 6 | 308249 | FOOT BOARD DOUBLE STEP12V380 – 2PC |
| | 308250 | FOOT BOARD DOUBLE STEP12V440 – 2PC |
| | 308252 | FOOT BOARD DOUBLE STEP12V500 – 2PC |
| | 1500602281 | FOOT BOARD DOUBLE STEP12V550 – 2PC |
| 7 | 1500601154 | REPAIR KIT RIVET DOUBLE STEP |
| 8 | 1500602282 | REPAIR KIT PINION DOUBLE STEP |



Double Step - 90/115

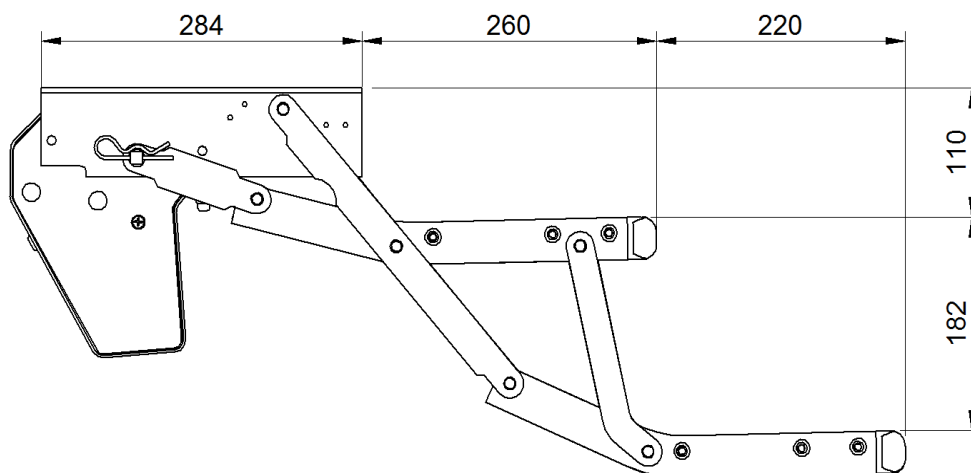
2020 SPARE PARTS LIST
DOUBLE STEP 12V553 - 12V650



THULE Double step 12V 650

DSH603-00

| | ART.NR. | DESCRIPTION | |
|---|------------|-------------------------------------|--|
| 1 | 1500602675 | MOTOR CAP DOUBLE STEP 12V650 (2PCS) | |
| 2 | 1500602676 | 12V MOTOR ASSY DOUBLE STEP 12V650 | |
| 3 | 1500602798 | FRAME CON. TUBE D12V553 – 2PC | |
| | 1500602677 | FRAME CON. TUBE D12V650 – 2PC | |
| 4 | 1500602678 | LH SCISSOR ASSY DOUBLE STEP 12V650 | |
| 5 | 1500602679 | RH SCISSOR ASSY DOUBLE STEP 12V650 | |
| 6 | 1500602799 | FOOT BOARD DOUBLE STEP12V553 - 2PC | |
| | 1500602680 | FOOT BOARD DOUBLE STEP12V650 – 2PC | |
| 7 | 1500601154 | REPAIR KIT RIVET DOUBLE STEP | |
| 8 | 1500602282 | REPAIR KIT PINION DOUBLE STEP | |



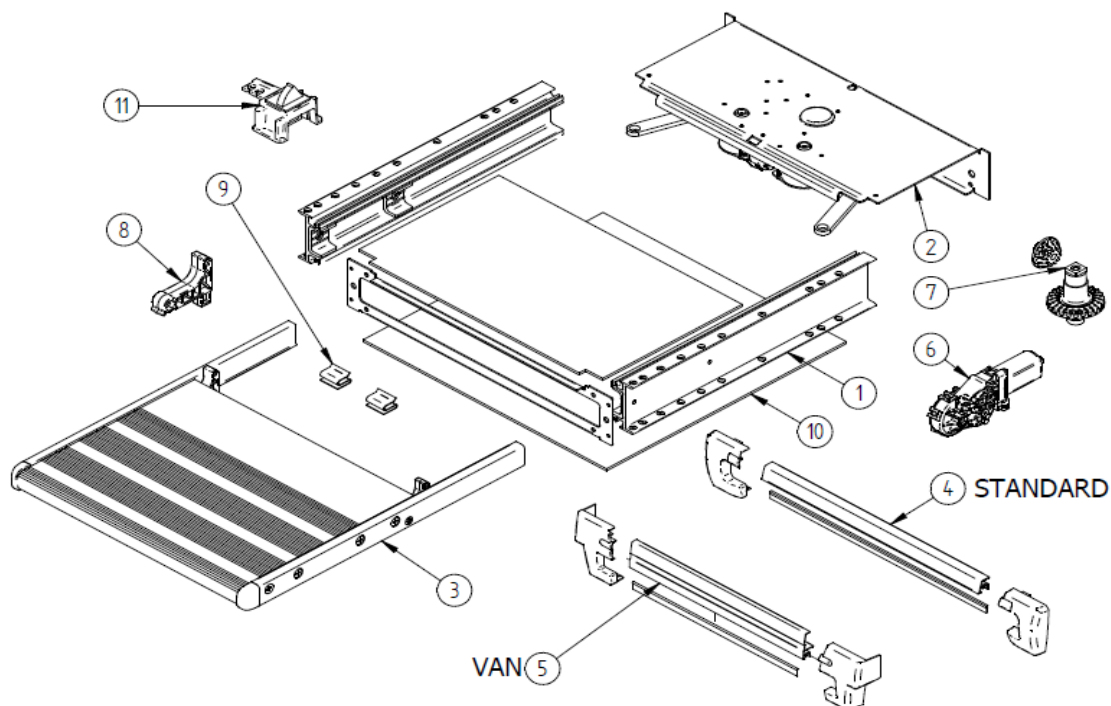
2020 SPARE PARTS LIST

SLIDE-OUT STEP V12

THULE
SWEDEN

SDB 612

THULE
SWEDEN



THULE Slide out 12V 2012

SDB612-03

| | ART.NR. | DESCRIPTION | |
|----|------------|---|--|
| 1 | 1500602729 | FRAME SLIDE OUT 400 2012 | |
| | 1500602730 | FRAME SLIDE OUT 550 2012 | |
| | 1500602731 | FRAME SLIDE OUT 700 2012 | |
| 2 | 1500602732 | MOTOR COMPLETE S/O 400 2012 | |
| | 1500602733 | MOTOR COMPLETE S/O 550 2012 | |
| | 1500602734 | MOTOR COMPLETE S/O 700 2012 | |
| 3 | 1500602735 | FOOTBOARD COMPL. SLIDE OUT 400 2012 | |
| | 1500602736 | FOOTBOARD COMPL. SLIDE OUT 550 2012 | |
| | 1500602737 | FOOTBOARD COMPL. SLIDE OUT 700 2012 | |
| 4 | 1500602738 | FRONT PROTECTION SLIDE OUT 400 2012 | |
| | 1500602739 | FRONT PROTECTION SLIDE OUT 550 2012 | |
| | 1500602740 | FRONT PROTECTION SLIDE OUT 700 2012 | |
| 5 | 1500602741 | FRONT PROTECTION SLIDE OUT 400 2012 VAN | |
| | 1500602742 | FRONT PROTECTION SLIDE OUT 550 2012 VAN | |
| | 1500602743 | FRONT PROTECTION SLIDE OUT 700 2012 VAN | |
| 6 | 1500602744 | 12V MOTOR SLIDE OUT 2012 | |
| 7 | 1500602745 | REPAIR KIT PINION SLIDE-OUT 2012 | |
| 8 | 1500602746 | END STOP FOOTBOARD SLIDE OUT 2012 | |
| 9 | 1500602752 | FIXATION SPRING PROTECTION COVER - 6PCS | |
| 10 | 1500602803 | LOWER PROTECTION SLIDE OUT V12 12V400 | |
| | 1500602804 | LOWER PROTECTION SLIDE OUT V12 12V550 | |
| | 1500602805 | LOWER PROTECTION SLIDE OUT V12 12V700 | |
| 11 | 1500603111 | ALARMSWITCH SLIDE OUT V12 | |

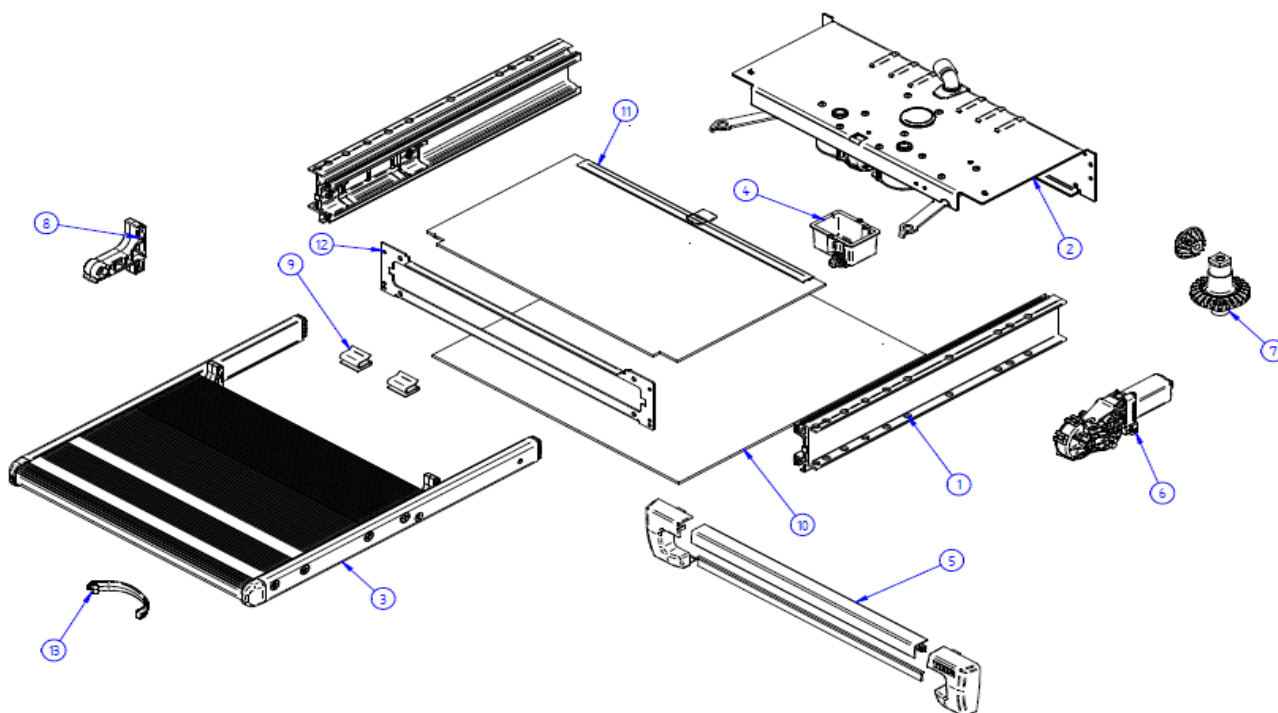
2020 SPARE PARTS LIST

SLIDE-OUT STEP V18

THULE
SWEDEN

SDC 604

THULE

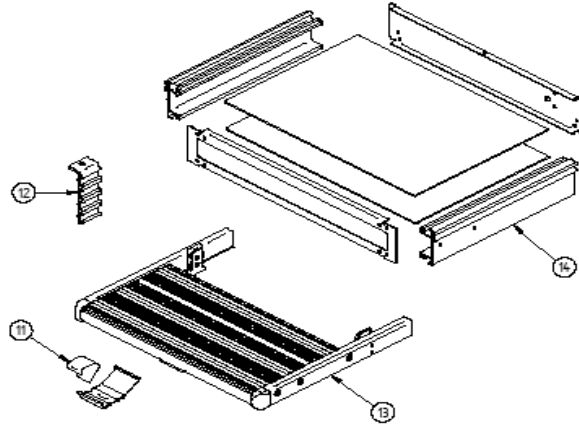


THULE Slide Out V18 12V

SDC604-01

| | ART.NR. | DESCRIPTION | |
|----|------------|--|--|
| 1 | 1500603377 | FRAME SLIDE OUT 400 V18 | |
| | 1500603378 | FRAME SLIDE OUT 460 V18 (*) | |
| | 1500603379 | FRAME SLIDE OUT 550 V18 | |
| | 1500603380 | FRAME SLIDE OUT 700 V18 | |
| 2 | 1500603236 | MOTOR COMPLETE SO V19 - 400 | |
| | 1500603381 | MOTOR COMPLETE SO V19 - 460 (*) | |
| | 1500603229 | MOTOR COMPLETE SO V19 - 550 | |
| | 1500603237 | MOTOR COMPLETE SO V19 - 700 | |
| 3 | 1500603382 | FOOTBOARD COMPL. SLIDE OUT 400 V18 | |
| | 1500603383 | FOOTBOARD COMPL. SLIDE OUT 460 V18 (*) | |
| | 1500603384 | FOOTBOARD COMPL. SLIDE OUT 550 V18 | |
| | 1500603385 | FOOTBOARD COMPL. SLIDE OUT 700 V18 | |
| 4 | 1500603129 | ALARMSWITCH SLIDE OUT V16 | |
| 5 | 1500603386 | FRONT PROTECTION SLIDE OUT 400 V18 | |
| | 1500603387 | FRONT PROTECTION SLIDE OUT 460 V18 (*) | |
| | 1500603388 | FRONT PROTECTION SLIDE OUT 550 V18 | |
| | 1500603389 | FRONT PROTECTION SLIDE OUT 700 V18 | |
| 6 | 1500602744 | 12V MOTOR SLIDE OUT 2012 | |
| 7 | 1500602745 | REPAIR KIT PINION SLIDE-OUT 2012 | |
| 8 | 1500602746 | END STOP FOOTBOARD SLIDE OUT 2012 | |
| 9 | 1500602752 | FIXATION SPRING PROTECTION COVER - 6PCS | |
| 10 | 1500603390 | LOWER PROTECTION SLIDE OUT V18 12V 400 | |
| | 1500603391 | LOWER PROTECTION SLIDE OUT V18 12V 460 (*) | |
| | 1500603392 | LOWER PROTECTION SLIDE OUT V18 12V 550 | |
| | 1500603393 | LOWER PROTECTION SLIDE OUT V18 12V 700 | |
| 11 | 1500603394 | UPPER PROTECTION SLIDE OUT V18 12V 400 + LIP PROFILE | |
| | 1500603395 | UPPER PROTECTION SLIDE OUT V18 12V 460 + LIP PROFILE (*) | |
| | 1500603396 | UPPER PROTECTION SLIDE OUT V18 12V 550 + LIP PROFILE | |
| | 1500603397 | UPPER PROTECTION SLIDE OUT V18 12V700 + LIP PROFILE | |
| 12 | 1500603242 | FRONT PLATE SLIDE OUT V19 - 400 | |
| | 1500603398 | FRONT PLATE SLIDE OUT V19 - 460 (*) | |

| | ART.NR. | DESCRIPTION | |
|----|------------|---------------------------------|--|
| | 1500603232 | FRONT PLATE SLIDE OUT V19 - 550 | |
| | 1500603243 | FRONT PLATE SLIDE OUT V19 - 700 | |
| 13 | 1500603404 | SAFETY HOOK FOOTBOARD SO | |
| | (*) | 460 = Special Step : Carthago | |

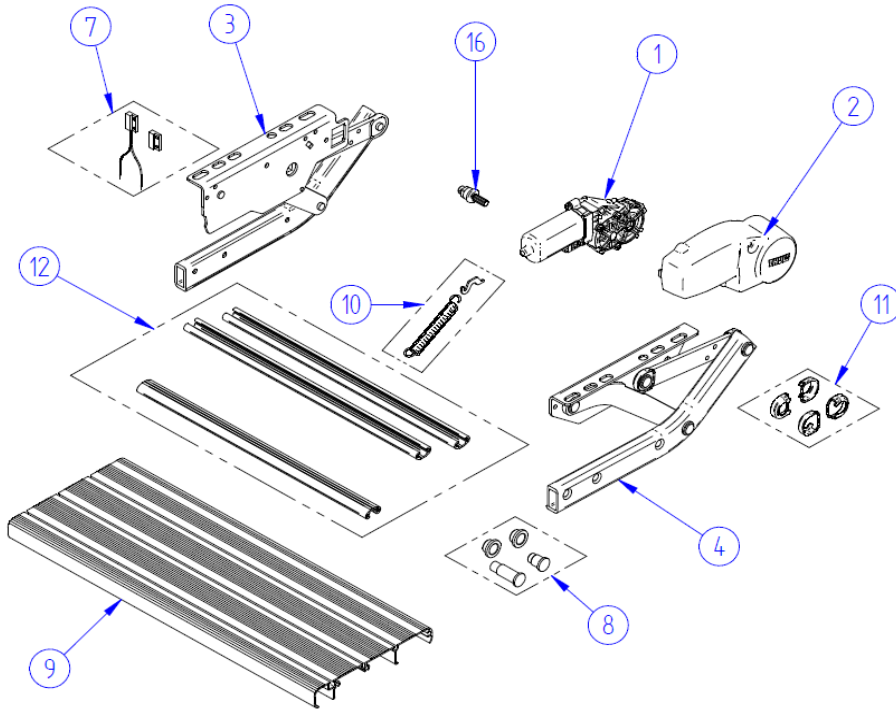


THULE Slide out manual

SDA618-00

| | ART.NR. | DESCRIPTION | |
|----|------------|-----------------------------------|--|
| 11 | 1500600427 | LOCK SLIDE OUT MANUAL | |
| 12 | 1500601157 | FIXATION KIT SLIDE OUT MANUAL | |
| 13 | 1500601779 | FOOTBOARD COMPL. SLIDE OUT MANUAL | |
| 14 | 1500601969 | FRAME SLIDE OUT MANUAL | |

2020 SPARE PARTS LIST
SINGLE STEP V15 12V HYMER

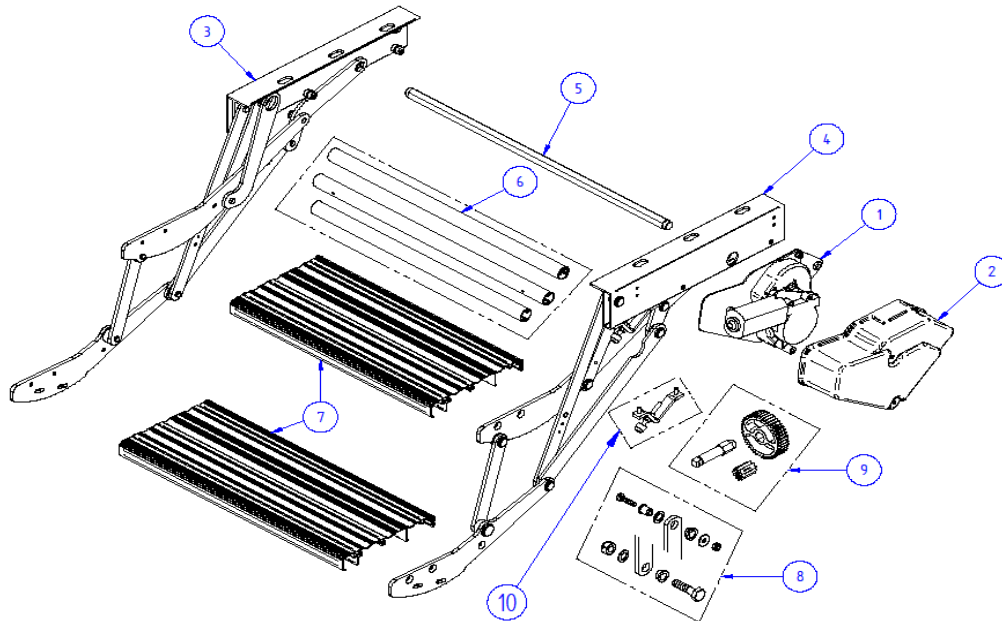


THULE Single step V15 12V Hymer

OSE603-00

| | ART.NR. | DESCRIPTION | |
|----|------------|--|--|
| 1 | 1500602970 | 12V MOTOR WITH SHAFT THULE STEP V15 | |
| 2 | 1500602264 | MOTOR COVER THULE STEP V10 | |
| 3 | 1500603167 | LH SIDE ASSY THULE STEP V15 Hymer | |
| 4 | 1500603168 | RH SIDE ASSY THULE STEP V15 Hymer | |
| 7 | 1500602761 | DOOR REED SWITCH ELECTRONIC | |
| 8 | 1500602273 | REPAIR KIT RIVET THULE STEP V10 | |
| 9 | 1500603169 | FOOT BOARD SINGLE STEP 600 Hymer | |
| | 1500603170 | FOOT BOARD SINGLE STEP 700 Hymer | |
| 10 | 1500602274 | SPRING ASSY THULE STEP V10 (2PCS) | |
| 11 | 1500602971 | SHOCK ABSORBER THULE STEP V15 - 4PCS | |
| 12 | 1500603171 | CON.PROFILES THULE STEP 600 Hymer (3PCS) | |
| | 1500603172 | CON.PROFILES THULE STEP 700 Hymer (3PCS) | |
| 16 | 1500603114 | MOTOR SHAFT AND BUSHING V15 | |

2020 SPARE PARTS LIST
DOUBLE STEP with SKIRT



THULE Double step 12V650 Niesmann, 12V500 Dethleffs, 12V500 MJ03 Iveco & 12V500 Carthago

SMA605-01

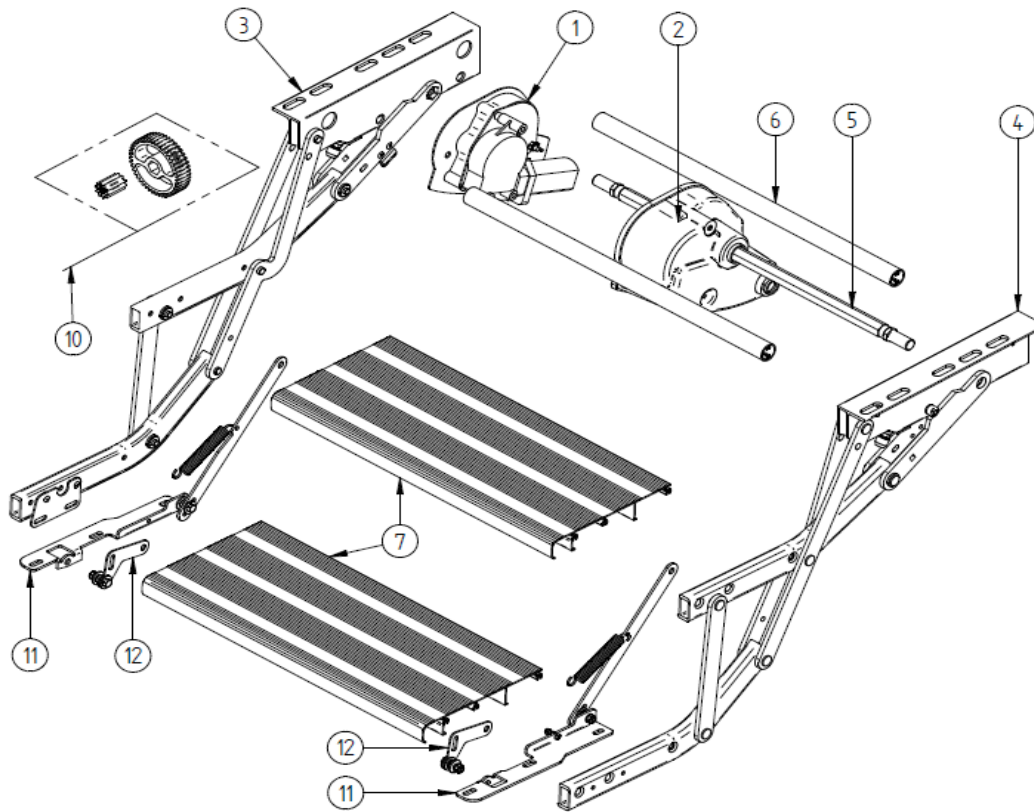
| | ART.NR. | DESCRIPTION | |
|----|------------|--|--|
| 1 | 1500602707 | 12V MOTOR ASSY DOUBLE STEP SKIRT | |
| 2 | 1500602708 | MOTOR CAP DOUBLE STEP SKIRT | |
| 3 | 1500602709 | LH SCISSOR ASSY DOUBLE STEP SKIRT | |
| 4 | 1500602710 | RH SCISSOR ASSY DOUBLE STEP SKIRT | |
| 5 | 1500602711 | DRIVING ROD D12V500 SKIRT | |
| | 1500602712 | DRIVING ROD D12V650 SKIRT | |
| 6 | 1500602713 | FRAME CON. TUBE D12V500 SKIRT – 3PC | |
| | 1500602714 | FRAME CON. TUBE D12V650 SKIRT – 3PC | |
| 7 | 1500602715 | FOOT BOARD DOUBLE STEP12V500 SKIRT – 2PC | |
| | 1500602716 | FOOT BOARD DOUBLE STEP12V650 SKIRT– 2PC | |
| 8 | 1500602717 | REPAIR KIT RIVET DOUBLE STEP SKIRT | |
| 9 | 1500602718 | REPAIR KIT PINION DOUBLE STEP SKIRT | |
| 10 | 1500602793 | LH+RH END STOP DOUBLE STEP SKIRT | |

2020 SPARE PARTS LIST
DOUBLE STEP with SKIRT 2015

THULE
SWEDEN

SMB 601

THULE
SWEDEN



THULE Double step 12V500 Arto & 12V650 Flair

SMB601-03

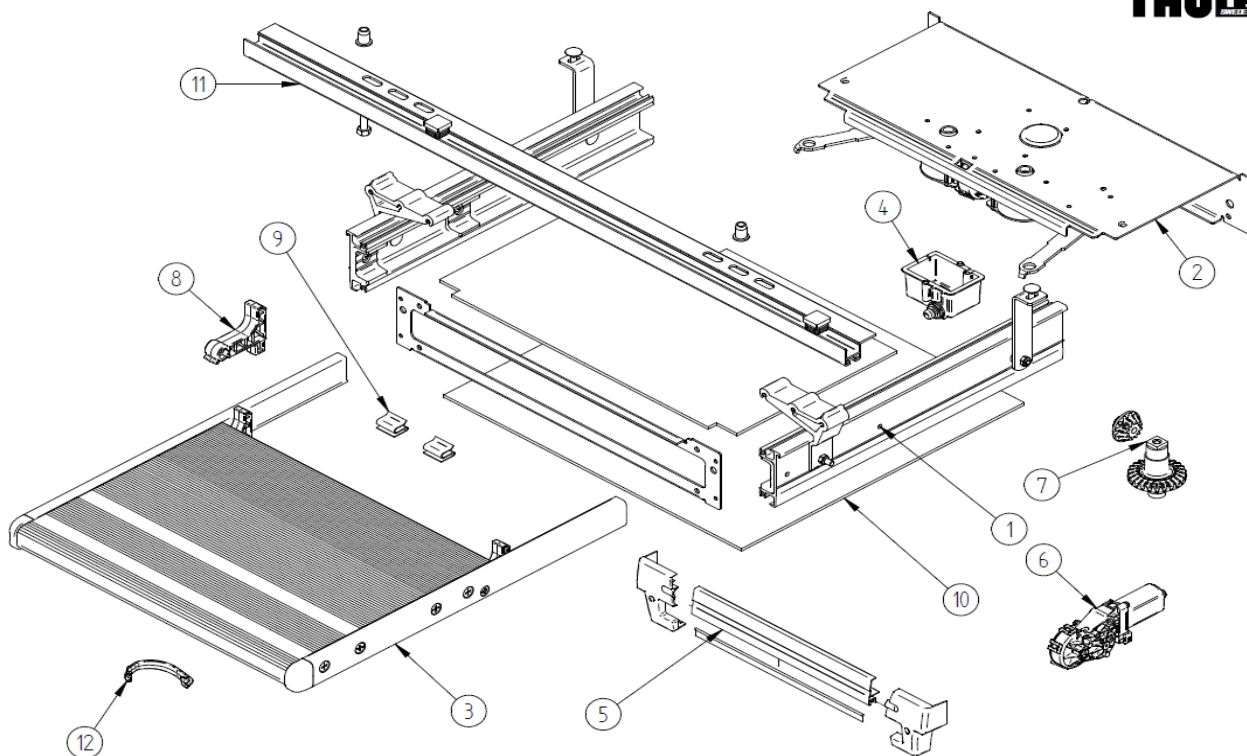
| | ART.NR. | DESCRIPTION | |
|----|------------|---|--|
| 1 | 1500602886 | 12V MOTOR ASSY DOUBLE STEP SKIRT 2015 | |
| 2 | 1500602887 | MOTOR CAP DOUBLE STEP SKIRT 2015 | |
| 3 | 1500602888 | LH SCISSOR ASSY DOUBLE STEP SKIRT 2015 | |
| 4 | 1500602889 | RH SCISSOR ASSY DOUBLE STEP SKIRT 2015 | |
| 5 | 1500602890 | DRIVING ROD D12V500 SKIRT 2015 | |
| | 1500602891 | DRIVING ROD D12V650 SKIRT 2015 | |
| 6 | 1500602892 | FRAME CON. TUBE D12V500 SKIRT 2015 – 2PC | |
| | 1500602893 | FRAME CON. TUBE D12V650 SKIRT 2015 – 2PC | |
| 7 | 1500602894 | FOOT BOARD DOUBLE STEP12V500 SKIRT 2015 – 2PC | |
| | 1500602895 | FOOT BOARD DOUBLE STEP12V650 SKIRT 2015 – 2PC | |
| 10 | 1500602718 | REPAIR KIT PINION DOUBLE STEP SKIRT | |
| 11 | 1500603102 | REPAIR FIXATION KIT SKIRT CLOSING | |
| 12 | 1500603117 | SKIRT FIXATION - 2PC | |

2020 SPARE PARTS LIST
SLIDE-OUT STEP 12V 2016 DUCATO

THULE
SWEDEN

SDB 613

THULE
SWEDEN



THULE Slide out Ducato V16

SDB613-02

| | ART.NR. | DESCRIPTION | |
|----|------------|---|--|
| 1 | 1500603120 | FRAME SLIDE OUT 400 2016 DUCATO | |
| | 1500603121 | FRAME SLIDE OUT 550 2016 DUCATO | |
| | 1500603122 | FRAME SLIDE OUT 700 2016 DUCATO | |
| 2 | 1500603123 | MOTOR COMPLETE S/O 400 2016 | |
| | 1500603124 | MOTOR COMPLETE S/O 550 2016 | |
| | 1500603125 | MOTOR COMPLETE S/O 700 2016 | |
| 3 | 1500603126 | FOOTBOARD COMPL. SLIDE OUT 400 2016 | |
| | 1500603127 | FOOTBOARD COMPL. SLIDE OUT 550 2016 | |
| | 1500603128 | FOOTBOARD COMPL. SLIDE OUT 700 2016 | |
| 4 | 1500603129 | ALARMSWITCH SLIDE OUT V16 | |
| 5 | 1500602741 | FRONT PROTECTION SLIDE OUT 400 2012 VAN | |
| | 1500602742 | FRONT PROTECTION SLIDE OUT 550 2012 VAN | |
| | 1500602743 | FRONT PROTECTION SLIDE OUT 700 2012 VAN | |
| 6 | 1500602744 | 12V MOTOR SLIDE OUT 2012 | |
| 7 | 1500602745 | REPAIR KIT PINION SLIDE-OUT 2012 | |
| 8 | 1500602746 | END STOP FOOTBOARD SLIDE OUT 2012 | |
| 9 | 1500602752 | FIXATION SPRING PROTECTION COVER - 6PCS | |
| 10 | 1500603130 | LOWER PROTECTION SLIDE OUT V12 12V400 | |
| | 1500603131 | LOWER PROTECTION SLIDE OUT V12 12V550 | |
| | 1500603132 | LOWER PROTECTION SLIDE OUT V12 12V700 | |
| 11 | 1500603133 | REAR FIXATION PROFILE SLIDE OUT 2016 DUCATO | |
| 12 | 1500603404 | SAFETY HOOK FOOTBOARD SO | |

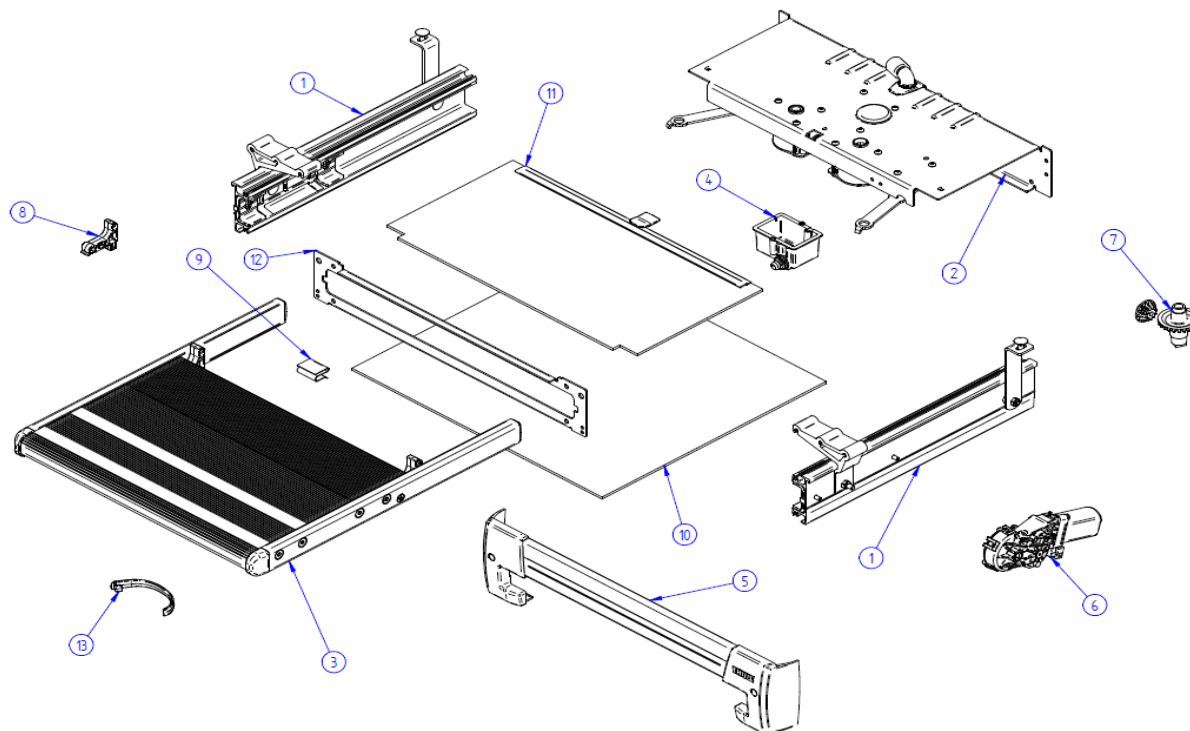
2020 SPARE PARTS LIST

Slide-Out Step V19 12V Ducato|Jumper|Boxer Euro6 d-Temp

THULE
SWEDEN

SDC603

THULE
SWEDEN



THULE Slide Out V19 12V DU/JU/BO

SDC603-01

| | ART.NR. | DESCRIPTION | |
|----|------------|---|--|
| 1 | 1500603244 | FRAME SLIDE OUT V19 DUC/JUMP/BOX - 400 | |
| | 1500603245 | FRAME SLIDE OUT V19 DUC/JUMP/BOX - 550 | |
| | 1500603246 | FRAME SLIDE OUT V19 DUC/JUMP/BOX - 700 | |
| 2 | 1500603236 | MOTOR COMPLETE SO V19 CRAFTER - 400 | |
| | 1500603229 | MOTOR COMPLETE SO V19 CRAFTER - 550 | |
| | 1500603237 | MOTOR COMPLETE SO V19 CRAFTER - 700 | |
| 3 | 1500603247 | FOOTBOARD COMPLETE SO V19 DUC/JUMP/BOX - 400 | |
| | 1500603248 | FOOTBOARD COMPLETE SO V19 DUC/JUMP/BOX - 550 | |
| | 1500603249 | FOOTBOARD COMPLETE SO V19 DUC/JUMP/BOX - 700 | |
| 4 | 1500603129 | ALARMSWITCH SLIDE OUT V16 | |
| 5 | 1500603238 | FRONT PROTECTION SLIDE-OUT V19 - 400 | |
| | 1500603230 | FRONT PROTECTION SLIDE-OUT V19 - 550 | |
| | 1500603239 | FRONT PROTECTION SLIDE-OUT V19 - 700 | |
| 6 | 1500602744 | 12V MOTOR SLIDE OUT 2012 | |
| 7 | 1500602745 | REPAIR KIT PINION SLIDE-OUT 2012 | |
| 8 | 1500602746 | END STOP FOOTBOARD SLIDE OUT 2012 | |
| 9 | 1500602752 | FIXATION SPRING PROTECTION COVER - 6PCS | |
| 10 | 1500603250 | LOWER PROTECTION SLIDE-OUT V19 DUC/JUMP/BOX - 400 | |
| | 1500603251 | LOWER PROTECTION SLIDE-OUT V19 DUC/JUMP/BOX - 550 | |
| | 1500603252 | LOWER PROTECTION SLIDE-OUT V19 DUC/JUMP/BOX - 700 | |
| 11 | 1500603253 | UPPER PROT SLIDE-OUT V19 DUC/JUMP/BOX + LIP PROFILE - 400 | |
| | 1500603254 | UPPER PROT SLIDE-OUT V19 DUC/JUMP/BOX + LIP PROFILE - 550 | |
| | 1500603255 | UPPER PROT SLIDE-OUT V19 DUC/JUMP/BOX + LIP PROFILE - 700 | |
| 12 | 1500603242 | FRONT PLATE SLIDE OUT V19 - 400 | |
| | 1500603232 | FRONT PLATE SLIDE OUT V19 - 550 | |
| | 1500603243 | FRONT PLATE SLIDE OUT V19 - 700 | |
| 13 | 1500603404 | SAFETY HOOK FOOTBOARD SO | |
| 14 | 1500603133 | REAR FIXATION PROFILE SLIDE OUT 2016 DUCATO | |

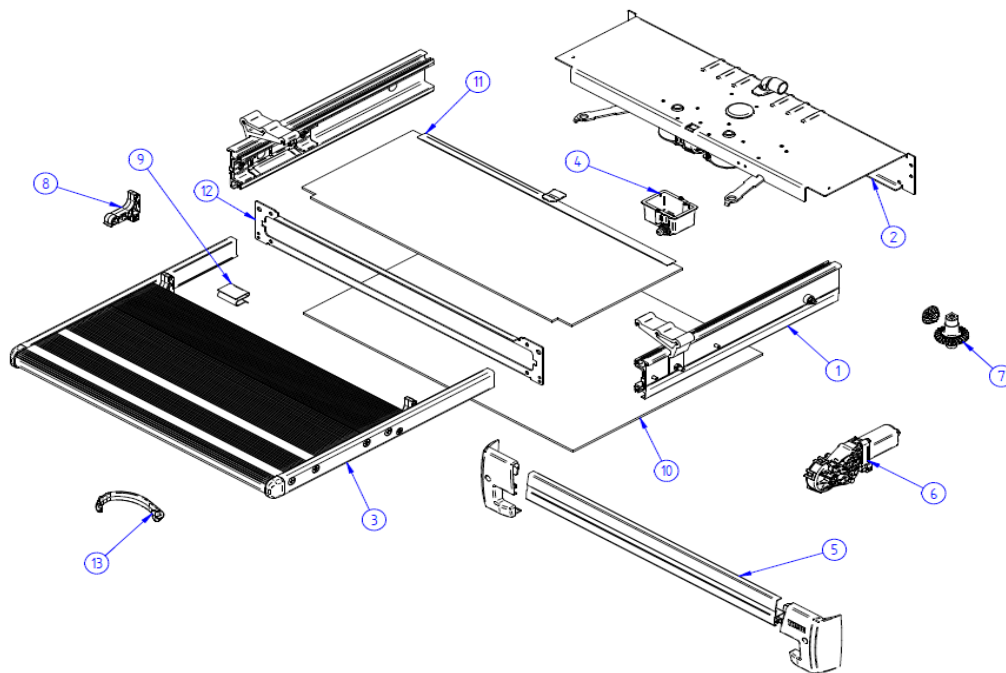
2020 SPARE PARTS LIST

Slide-Out Step V19 12V Crafter

THULE
SWEDEN

SDC 602

THULE
SWEDEN



THULE Slide Out V19 12V CRAFTER

SDC602-01

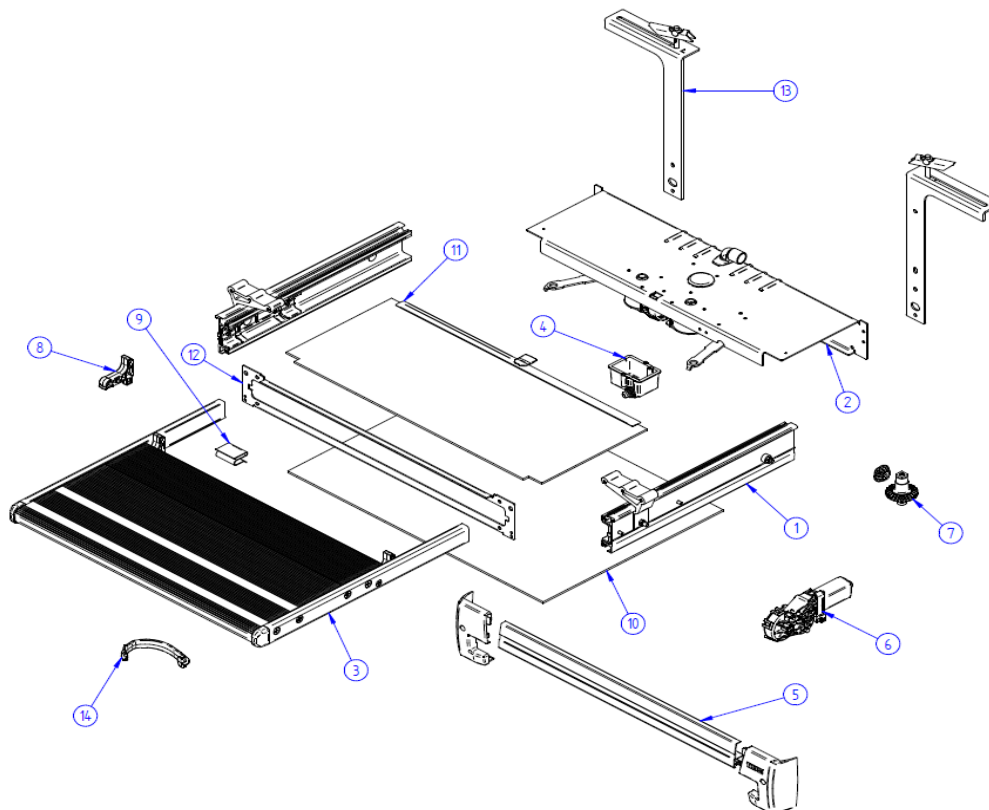
| | ART.NR. | DESCRIPTION | |
|----|------------|--|--|
| 1 | 1500603234 | FRAME SLIDE OUT V19 CRAFTER - 400 | |
| | 1500603228 | FRAME SLIDE-OUT V19 CRAFTER - 550 | |
| | 1500603235 | FRAME SLIDE OUT V19 CRAFTER - 700 | |
| 2 | 1500603236 | MOTOR COMPLETE SO V19 CRAFTER - 400 | |
| | 1500603229 | MOTOR COMPLETE SO V19 CRAFTER - 550 | |
| | 1500603237 | MOTOR COMPLETE SO V19 CRAFTER - 700 | |
| 3 | 1500603126 | FOOTBOARD COMPL. SLIDE OUT 400 2016 | |
| | 1500603127 | FOOTBOARD COMPL. SLIDE OUT 550 2016 | |
| | 1500603128 | FOOTBOARD COMPL. SLIDE OUT 700 2016 | |
| 4 | 1500603129 | ALARMSWITCH SLIDE OUT V16 | |
| 5 | 1500603238 | FRONT PROTECTION SLIDE-OUT V19 - 400 | |
| | 1500603230 | FRONT PROTECTION SLIDE-OUT V19 - 550 | |
| | 1500603239 | FRONT PROTECTION SLIDE-OUT V19 - 700 | |
| 6 | 1500602744 | 12V MOTOR SLIDE OUT 2012 | |
| 7 | 1500602745 | REPAIR KIT PINION SLIDE-OUT 2012 | |
| 8 | 1500602746 | END STOP FOOTBOARD SLIDE OUT 2012 | |
| 9 | 1500602752 | FIXATION SPRING PROTECTION COVER - 6PCS | |
| 10 | 1500603130 | LOWER PROTECTION SLIDE OUT V12 12V 400 | |
| | 1500603131 | LOWER PROTECTION SLIDE OUT V12 12V 550 | |
| | 1500603132 | LOWER PROTECTION SLIDE OUT V12 12V 700 | |
| 11 | 1500603240 | UPPER PROTECTION SLIDE OUT V12 12V 400 + LIP PROFILE | |
| | 1500603231 | UPPER PROTECTION SLIDE OUT V12 12V 550 + LIP PROFILE | |
| | 1500603241 | UPPER PROTECTION SLIDE OUT V12 12V 700 + LIP PROFILE | |
| 12 | 1500603242 | FRONT PLATE SLIDE OUT V19 - 400 | |
| | 1500603232 | FRONT PLATE SLIDE OUT V19 - 550 | |
| | 1500603243 | FRONT PLATE SLIDE OUT V19 - 700 | |
| 13 | 1500603404 | SAFETY HOOK FOOTBOARD SO | |

2020 SPARE PARTS LIST
Slide-Out Step V19 12V 550 Crafter 4WD

THULE
SWEDEN

SDC 601

THULE
SWEDEN



THULE Slide Out Crafter 12v550 V19

SDC601-01

| | ART.NR. | DESCRIPTION | |
|----|------------|---|--|
| 1 | 1500603228 | FRAME SLIDE-OUT V19 CRAFTER - 550 | |
| 2 | 1500603229 | MOTOR COMPLETE SO V19 - 550 | |
| 3 | 1500603127 | FOOTBOARD COMPLETE SO V16 - 550 | |
| 4 | 1500603129 | ALARMSWITCH SLIDE-OUT V16 | |
| 5 | 1500603230 | FRONT PROTECTION SLIDE-OUT V19 - 550 | |
| 6 | 1500602744 | 12V MOTOR SLIDE OUT 2012 | |
| 7 | 1500602745 | REPAIR KIT PINION SLIDE-OUT 2012 | |
| 8 | 1500602746 | END STOP FOOTBOARD SLIDE OUT 2012 | |
| 9 | 1500602752 | FIXATION SPRING PROTECTION COVER - 6PCS | |
| 10 | 1500603131 | LOWER PROTECTION SLIDE OUT V12 12V550 | |
| 11 | 1500603231 | UPPER PROTECTION SLIDE OUT V12 12V550 + LIP PROFILE | |
| 12 | 1500603232 | FRONT PLATE SLIDE OUT V19 - 550 | |
| 13 | 1500603233 | MOUNTING BRACKETS + TOGGLE BOLTS FOR CRAFTER 4WD | |
| 14 | 1500603404 | SAFETY HOOK FOOTBOARD SO | |

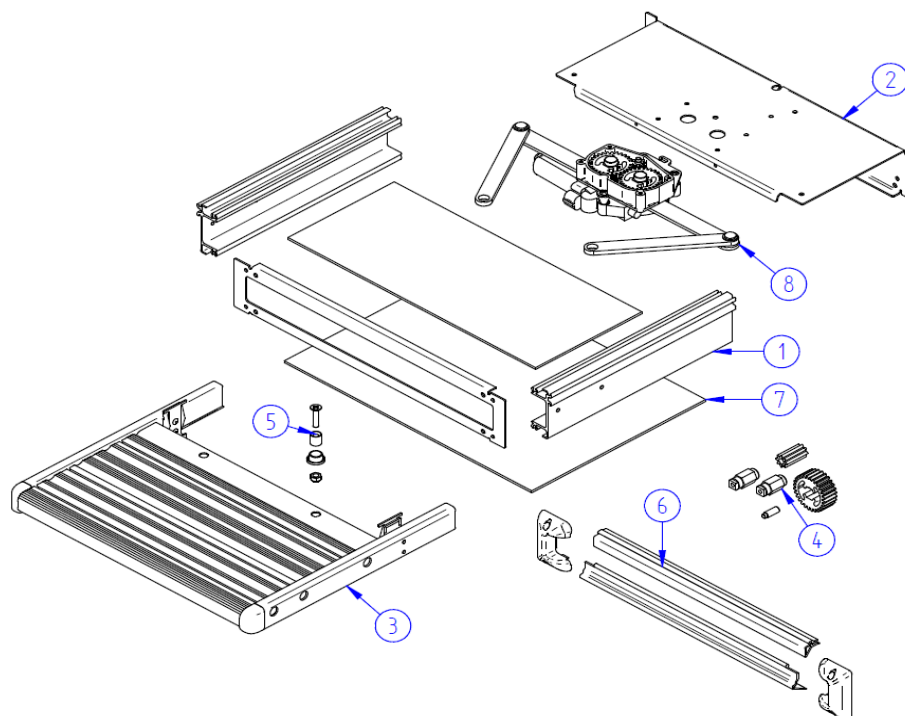
2020 SPARE PARTS LIST

SLIDE-OUT STEP

THULE
SWEDEN

SDA 616

THULE
SWEDEN



THULE Slide out 12V

SDA616-02

| | ART.NR. | DESCRIPTION | |
|---|------------|--|------------|
| 1 | 1500601145 | FRAME SLIDE OUT 400x310 (*) | |
| | 1500601146 | FRAME SLIDE OUT 400x390 (*) | |
| | 1500601147 | FRAME SLIDE OUT 400x420 (*) | |
| | 1500601757 | FRAME SLIDE OUT 550x390 (*) | |
| | 1500601534 | FRAME SLIDE OUT 550x420 (*) | |
| | 1500601148 | FRAME SLIDE OUT 700x420 (*) | |
| 2 | 1500601138 | MOTOR COMPLETE S/O 400x310 (*) | 1500602806 |
| | 1500601139 | MOTOR COMPLETE S/O 400x390/420 (*) | 1500602806 |
| | 1500601713 | MOTOR COMPLETE S/O 550x390/420 (*) | 1500602806 |
| | 1500601140 | MOTOR COMPLETE S/O 700x420 - V2003 (*) | 1500602806 |
| 3 | 1500601141 | FOOTBOARD COMPL. SLIDE OUT 400x310 (*) | |
| | 1500601142 | FOOTBOARD COMPL. SLIDE OUT 400x390 (*) | |
| | 1500601143 | FOOTBOARD COMPL. SLIDE OUT 400x420 (*) | |
| | 1500601756 | FOOTBOARD COMPL. SLIDE OUT 550x390 (*) | |
| | 1500601731 | FOOTBOARD COMPL. SLIDE OUT 550x420 (*) | |
| | 1500601144 | FOOTBOARD COMPL. SLIDE OUT 700x420 (*) | |
| 4 | 1500602377 | REPAIR KIT PINION SLIDE-OUT | |
| 5 | 1500601156 | REPAIR KIT CONNECTION FOOTBOARD S/O DD | |
| 6 | 1500601379 | DIRT PROTECTION SLIDE OUT 400 | |
| | 1500601380 | DIRT PROTECTION SLIDE OUT 550 | |
| | 1500601381 | DIRT PROTECTION SLIDE OUT 700 | |
| 7 | 1500602800 | LOWER PROTECTION SLIDE OUT 12V400 | |
| | 1500602801 | LOWER PROTECTION SLIDE OUT 12V550 | |
| | 1500602802 | LOWER PROTECTION SLIDE OUT 12V700 | |
| 8 | 1500602806 | MOTOR ASSY SLIDE OUT | |

(*)

420 = Standard step

390 = Special step : Hobby / Sprinter / Trigano

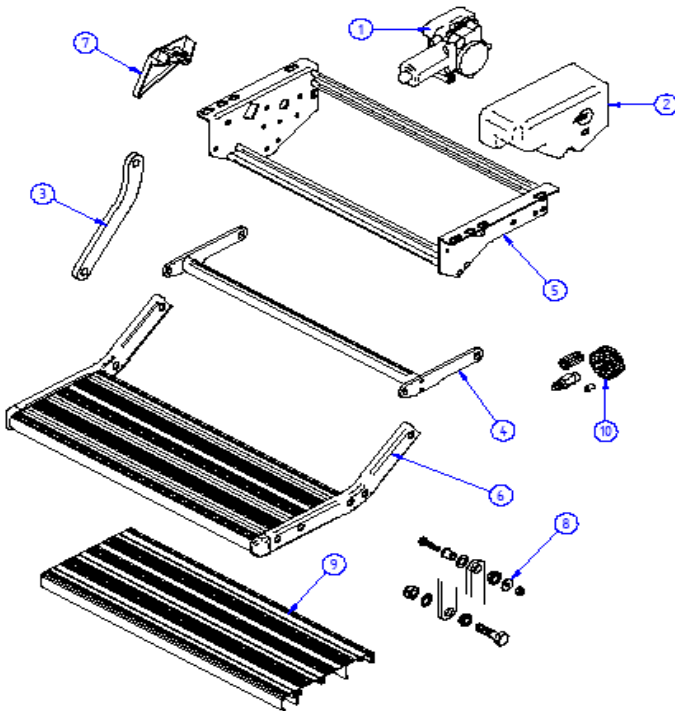
310 = Special step : Hymer Exsis

2020 SPARE PARTS LIST
SINGLE STEP V02

THULE
SWEDEN

2S609

THULE
SWEDEN



THULE Single step 12V ALU

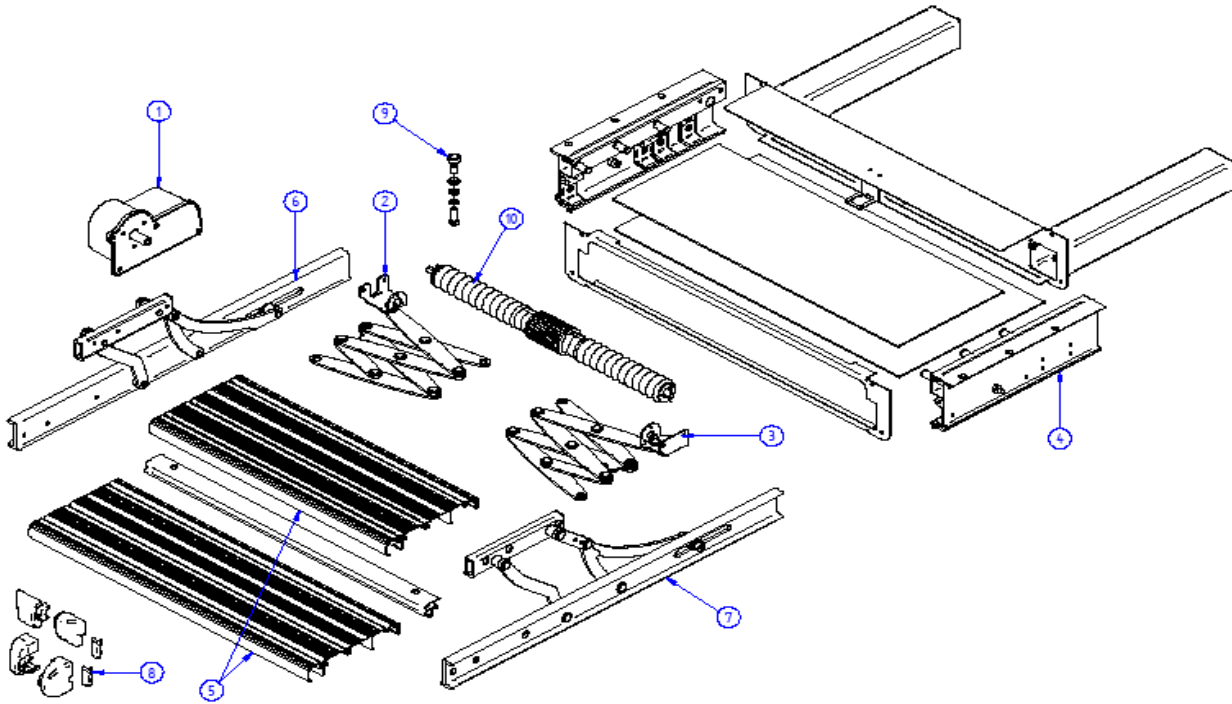
25609-00

| | ART.NR. | DESCRIPTION | |
|----|------------|-------------------------------|--|
| 1 | 1500600413 | MOTOR COMPLETE | |
| 2 | 1500600415 | MOTOR CAP | |
| 3 | 1500600420 | FRONT LINK 550/460 (2PCS) | |
| 4 | 1500600421 | REAR LINK 12 V 460 | |
| | 1500600422 | REAR LINK 12 V 550 | |
| 5 | 1500600423 | FRAME 12 V 460 | |
| | 1500600424 | FRAME 12 V 550 | |
| 6 | 1500600425 | FOOTBOARD 12 V 460 | |
| | 1500600426 | FOOTBOARD 12 V 550 | |
| 7 | 1500601149 | SWITCH PROTECTION CAP OUTSIDE | |
| 8 | 1500601153 | REPAIR KIT RIVET V2001 | |
| 9 | 308251 | FOOT BOARD 12V460 - ANTI-SLIP | |
| | 308253 | FOOT BOARD 12V550 - ANTI-SLIP | |
| 10 | 1500602974 | REPAIR KIT PINION | |

2020 SPARE PARTS LIST
SLIDE-OUT LIFT

THULE
 SWEDEN
 SSD 600

THULE
 DESIGN

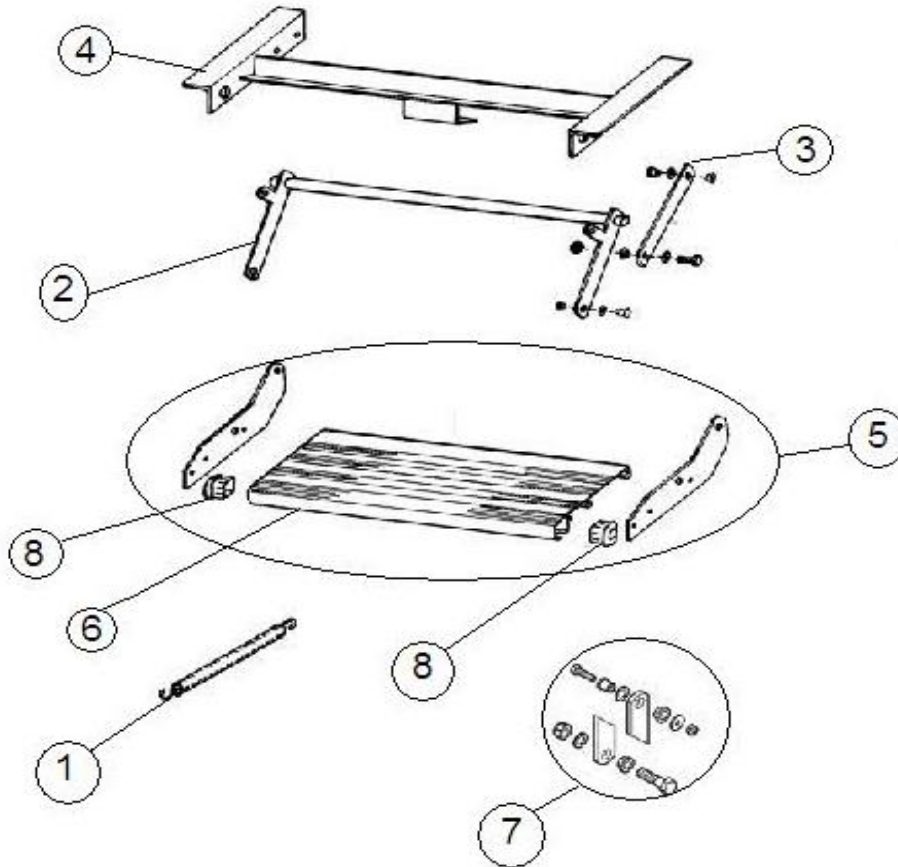


THULE Slide out 600

SSD600-00

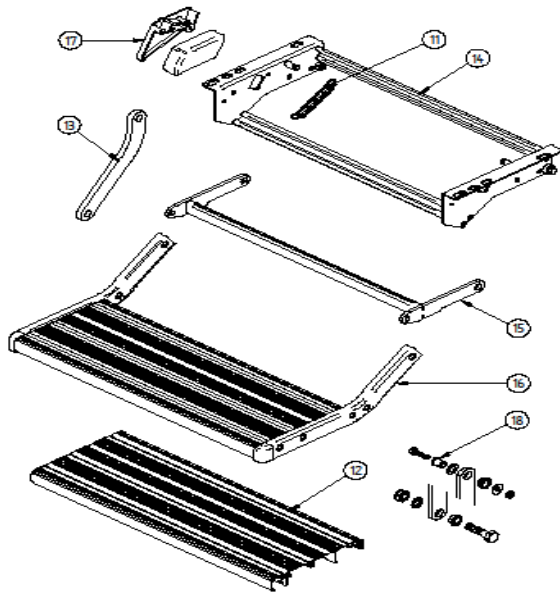
| | ART.NR. | DESCRIPTION | |
|----|------------|--|-------------|
| 1 | 1500602150 | 12V MOTOR ASSY SLIDE-OUT LIFT | unavailable |
| 2 | 1500602344 | LH DRIVING SCISSOR ASSY SLIDE-OUT LIFT | |
| 3 | 1500602345 | RH DRIVING SCISSOR ASSY SLIDE-OUT LIFT | |
| 4 | 1500602346 | FRAME SLIDE-OUT LIFT | |
| 5 | 1500602347 | FOOT BOARD SLIDE-OUT LIFT - 2PC | |
| 6 | 1500602348 | LH SIDE ASSY SLIDE-OUT LIFT | |
| 7 | 1500602349 | RH SIDE ASSY SLIDE-OUT LIFT | |
| 8 | 1500602350 | END CAPS SLIDE-OUT LIFT - 6PC | |
| 9 | 1500602149 | GEAR NUT REPAIR KIT | |
| 10 | 1500602351 | DRIVING SHAFT SLIDE-OUT LIFT | |

2020 SPARE PARTS LIST
SINGLE STEP MANUAL 47



| | ART.NR. | DESCRIPTION | |
|---|------------|-----------------------------|--|
| 1 | 1500601963 | SPRING MANUAL 47 | |
| 2 | 1500601418 | FRONT LINK ASSY | |
| 3 | 1500601962 | REAR LINK MANUAL 47 (2 pcs) | |
| 4 | 1500600397 | FRAME MANUAL 47 | |
| 5 | 1500601420 | FOOTBOARD COMPL. MANUAL 47 | |
| 6 | 1500600402 | FOOTBOARD MANUAL 47 | |
| 7 | 1500601152 | REPAIR KIT RIVET | |
| 8 | 1500601352 | LH & RH PLUG FOOTBOARD | |

2020 SPARE PARTS LIST
SINGLE STEP MANUAL V02



THULE Single step manual ALU

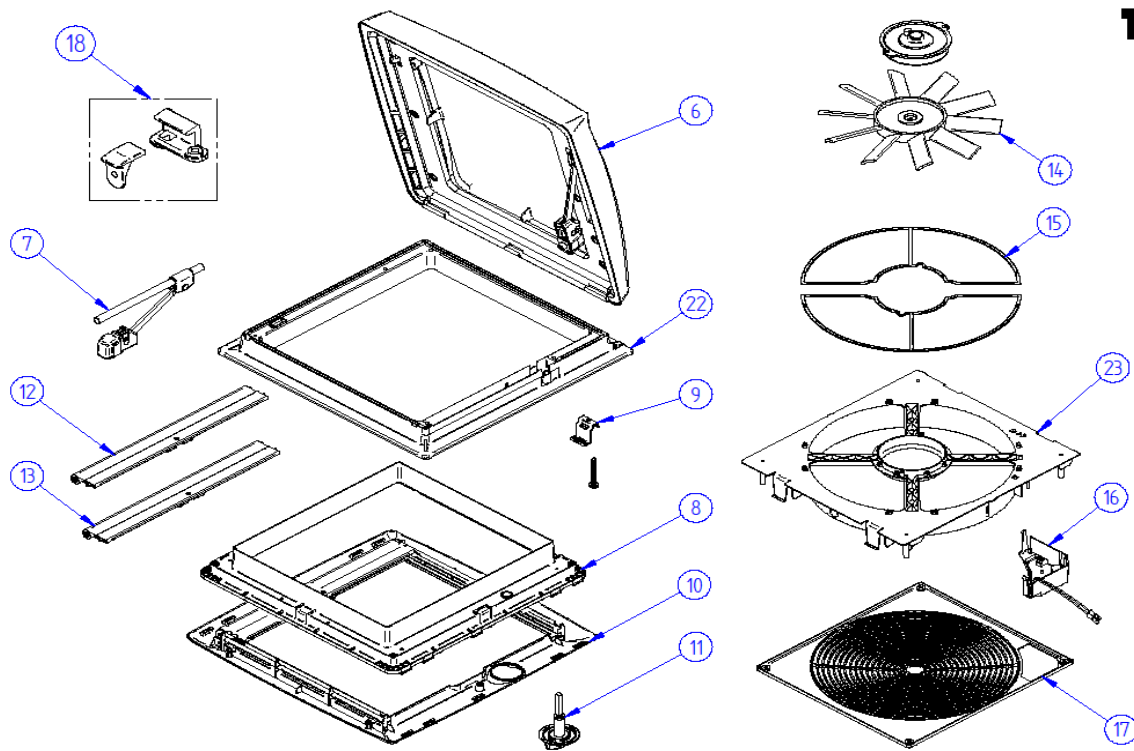
25610-00

| | ART.NR. | DESCRIPTION | |
|----|------------|-------------------------------|--|
| 11 | 1500601966 | SPRING MANUAL 550 | |
| 12 | 308253 | FOOTBOARD MANUAL 550 | |
| 13 | 1500600420 | FRONT LINK 550 (2 pcs) | |
| 14 | 1500601967 | FRAME MANUAL 550 | |
| 15 | 1500601433 | REAR LINK MANUAL 550 | |
| 16 | 1500600426 | FOOTBOARD COMPL. MANUAL 550 | |
| 17 | 1500601149 | SWITCH PROTECTION CAP OUTSIDE | |
| 18 | 1500601153 | REPAIR KIT RIVET V2001 | |

2020 SPARE PARTS LIST
ROOFLIGHT THULE VENT

THULE
SWEDEN

DL609



THULE
SWEDEN

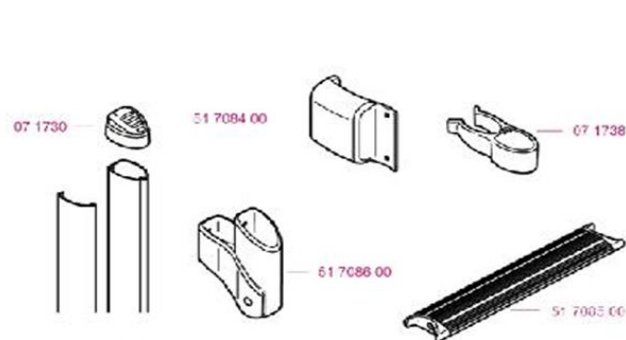
THULE Omnivent V04

DL609-01

| | ART.NR. | DESCRIPTION | |
|----|------------|--------------------------------|--|
| 6 | 1500600707 | DOME TRANSP + OPERATION DEVICE | |
| | 1500601443 | DOME WHITE + OPERATION DEVICE | |
| | 1500601444 | DOME TRANSL + OPERATION DEVICE | |
| 7 | 1500601364 | OPERATING DEVICE | |
| 8 | 1500601786 | INNER HATCH FRAME CREAM | |
| 9 | 1500600694 | HARDWARE PACK. OMNIVENT V04 | |
| 10 | 308229 | RETROFIT CURTAIN FRAME V04 | |
| 11 | 1500600712 | OPERATING KNOB CREAM ASSY | |
| 12 | 1500600709 | ROLLO MOSQUITO ASSY | |
| 13 | 1500600710 | ROLLO CREAM ASSY | |
| 14 | 1500600700 | MOTOR + FAN BLADE VENTILATOR | |
| 15 | 1500601718 | SET MOSQUITO NET VENTILATOR | |
| 16 | 1500601719 | ELECTR STEERING V08 | |
| 17 | 1500601720 | VENTILATOR GRID V08 | |
| 18 | 1500600719 | RETROFIT LOCK | |
| 22 | 1500600698 | OUTER HATCH FRAME+HINGE | |
| 23 | 1500602392 | VENTILATOR FRAME >2008 NEW | |

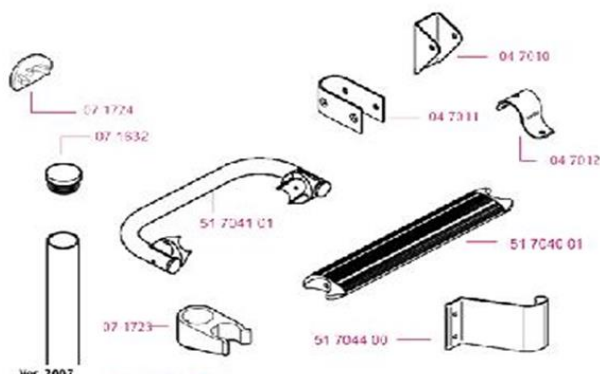
2020 SPARE PARTS LIST

LADDER and ROOFRAIL



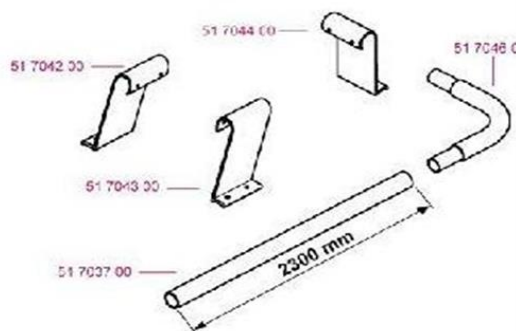
Ver. 2007

Thule Ladder – Ladder Deluxe

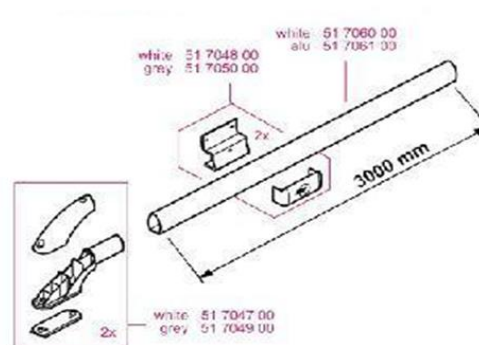


Ver. 2007

Thule Ladder – Ladder



Thule Ladder – Roof Rack



Thule Ladder – Roof Rack Deluxe

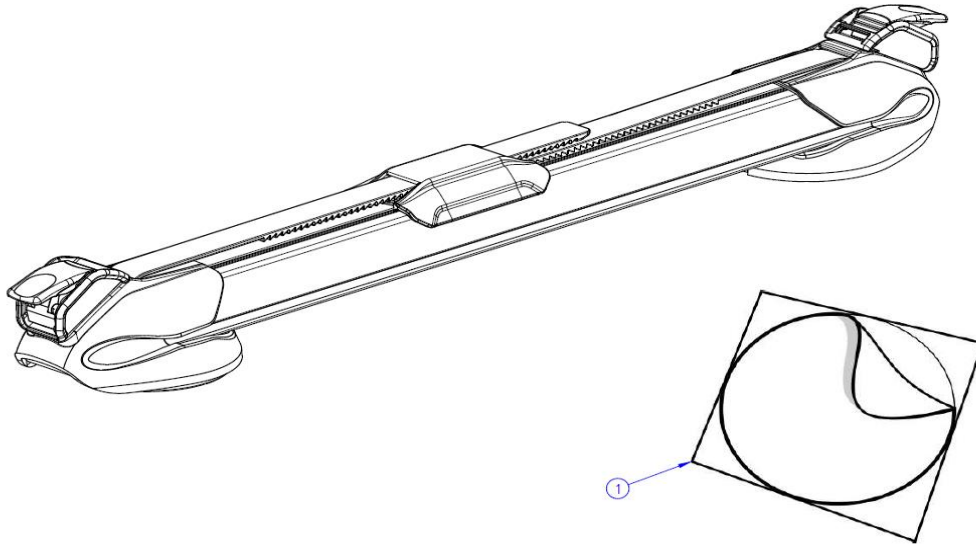
| | ART.NR. | DESCRIPTION | |
|--|----------|--------------------------------|--|
| | 47010 | FOOT SUPPORT OMNIBIKE DIAM 30 | |
| | 47011 | HINGE DOUBLE LADDER | |
| | 47012 | BEDHOOK | |
| | 71632 | TUBE PLUG BLACK Ø30 | |
| | 71723 | TUBE CLIP DOUBLE LADDER | |
| | 71724 | COVER PLUG LADDER | |
| | 71730 | OVAL PLUG OMNILADDER DELUXE | |
| | 71738 | OVAL CLIP OMNILADDER DELUXE | |
| | 51703700 | TUBE DIAM 30 L=2,30M | |
| | 51704001 | RUNG LADDER | |
| | 51704101 | BUMPER DOUBLE LADDER | |
| | 51704200 | LH LADDER SUPPORT - 80MM/20 | |
| | 51704300 | RH LADDER SUPPORT - 80MM/20 | |
| | 51704400 | LADDER SUPPORT - 80MM | |
| | 51704601 | BEND 90° | |
| | 51704700 | ENDCAP ROOF RACK ASSY WHITE | |
| | 51704800 | SUPPORT ROOF RACK ASSY WHITE | |
| | 51704900 | END CAP ROOFRACK ASSY GREY | |
| | 51705000 | SUPPORT ROOF RACK ASSY GREY | |
| | 51706000 | OVAL TUBE L=3.0M WHITE | |
| | 51706100 | OVAL TUBE L=3.0M ANO | |
| | 51708000 | FIXATION KIT LADDER DOUBLE 10S | |
| | 51708100 | FIXATION KIT LADDER SINGLE 6S | |
| | 51708200 | FIXATION KIT LADDER 4 STEPS | |
| | 51708400 | SUPPORT OVAL OMNILADDER DELUXE | |
| | 51708500 | RUNG OMNILADDER | |
| | 51708600 | HINGE OVAL OMNILADDER DELUXE | |

2020 SPARE PARTS LIST
LADDER FIXATION KIT

THULE
SWEDEN

LD611

THULE
SWEDEN



THULE Ladder Fixation Kit

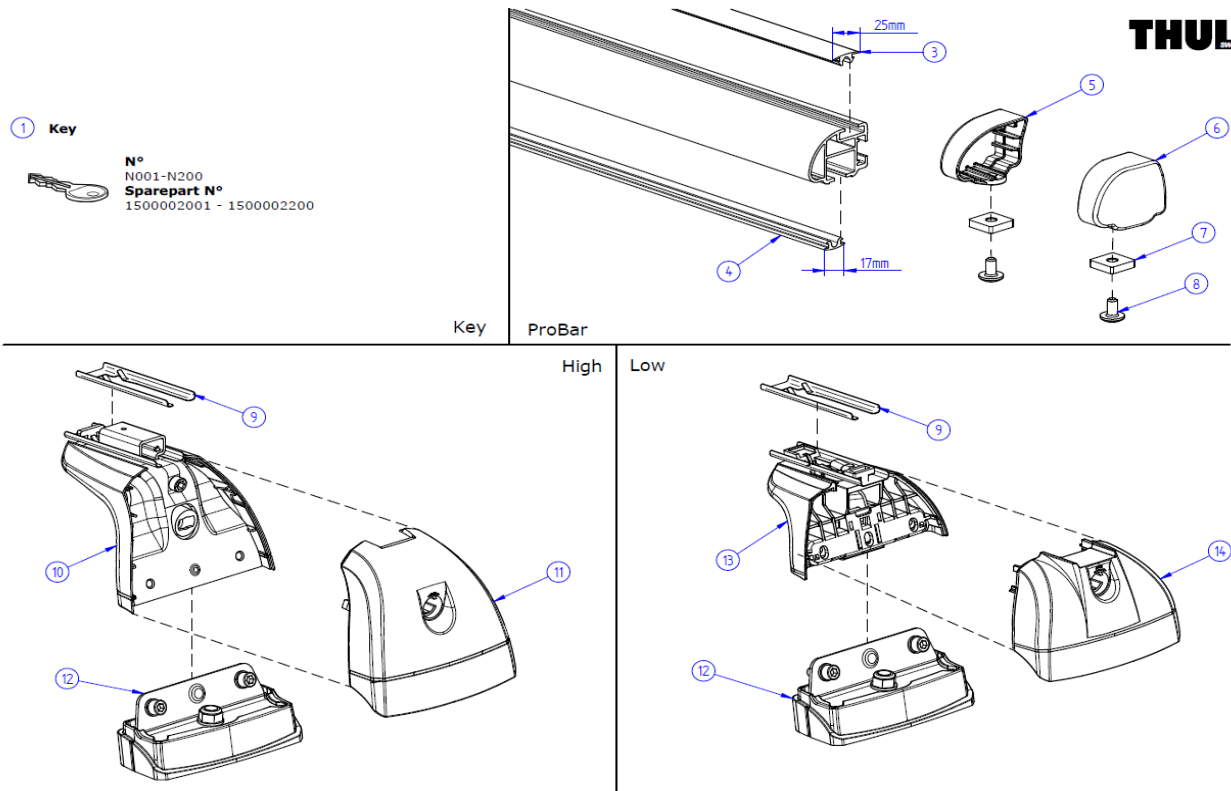
LD611-00

| | ART.NR. | DESCRIPTION | |
|---|------------|----------------------------------|--|
| | | Fixation Kit | |
| 1 | 1500603147 | PROTECTIVE PATCHES LADDER (4PCS) | |

2020 SPARE PARTS LIST PROBAR FLEX

THULE
SWEDEN

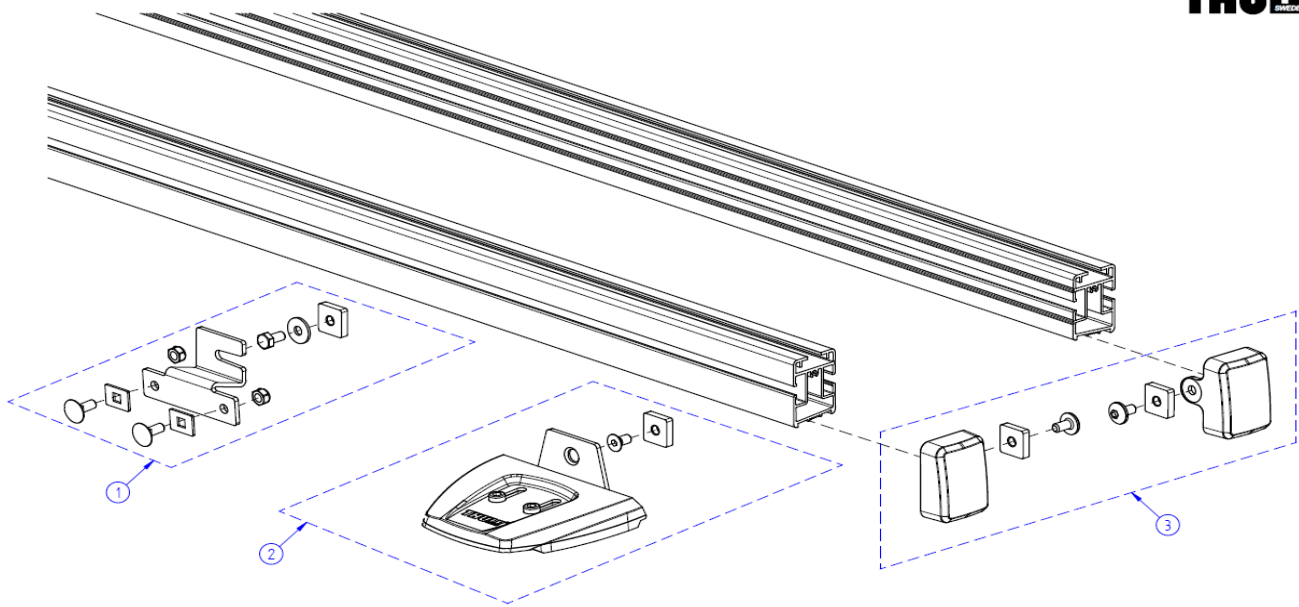
ADR609



THULE ProBar Flex

ADR609-00

| | ART.NR. | DESCRIPTION | |
|----|------------|---|--|
| 1 | 1500002XXX | KEY N° XXX | |
| 3 | 1500050834 | RUBBER PROFILE PROBAR 25mm - 2190mm (1 PCS) | |
| 4 | 1500050836 | RUBBER PROFILE PROBAR 17mm - 2190mm (1 PCS) | |
| 5 | 1500050844 | END CAP PROBAR - RIGHT (1 PCS) | |
| 6 | 1500050843 | END CAP PROBAR - LEFT (1 PCS) | |
| 7 | 1500050845 | SQUARE NUT M6 (1 PCS) | |
| 8 | 1500051152 | HEXAGONAL SCREW K6S (1 PCS) | |
| 9 | 1500603179 | REINFORCEMENT FORK (4 PCS) | |
| 10 | 1500603180 | FOOT FIXPOINT 751 HIGH WITH FORK (1 PCS) | |
| 11 | 1500050004 | OUTER COVER FIXPOINT 751 HIGH (1 PCS) | |
| 12 | 1500603181 | FOOT PAD WITH FASTNERS LOW/HIGH (1 PCS) | |
| 13 | 1500603182 | FOOT FIXPOINT 753 LOW WITH FORK (1 PCS) | |
| 14 | 1500050090 | OUTER COVER FIXPOINT 753 LOW (1 PCS) | |

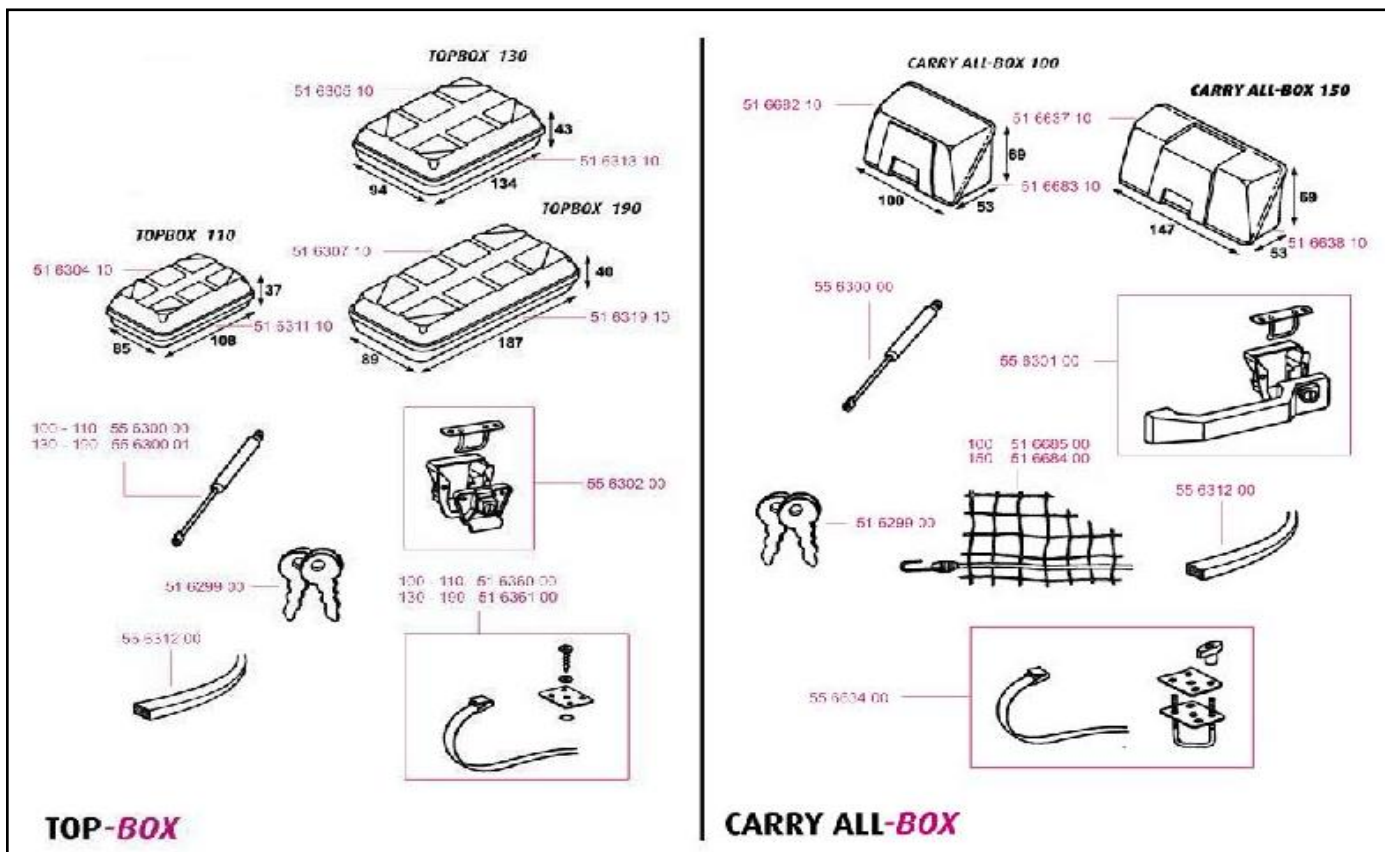


THULE SmartClamp System

ADR608-00

| | ART.NR. | DESCRIPTION | |
|---|------------|-------------------------------|--|
| 1 | 1500603183 | BASE RAIL CONNECTOR (1 PCS) | |
| 2 | 1500603184 | SMART CLAMP DUCATO H2 (1 PCS) | |
| 3 | 1500603185 | BASE RAIL COVERS - LEFT/RIGHT | |

2020 SPARE PARTS LIST BOXES




| | ART.NR. | DESCRIPTION | |
|----------|------------|--------------------------------|---------------|
| 5162900 | 1500600377 | SET OF 2 KEYS TOP-BOX | |
| 51630410 | 1500601725 | TO BOX 110 COVER WHITE | |
| 51630510 | 1500601723 | TOP BOX 130 COVER WHITE | |
| 51630710 | 1500601404 | TOP BOX COVER 190CM | |
| 51631110 | 1500601724 | TOP BOX 110 BOTTOM WHITE | not available |
| 51631310 | 1500601722 | TOP BOX 130 BOTTOM WHITE | |
| 51631910 | 1500601721 | TOP BOX 190 BOTTOM WHITE | |
| 51636000 | 1500601521 | INSTAL INSTR TOP BOX 110-110 | |
| 51636100 | 1500601472 | INST INSTR TOPBOX 130 190 4pc | |
| 55630000 | 1500601339 | GASSPRING ASSY 100N | |
| 55630001 | 1500601340 | GAS SPRING ASSY 200N | |
| 55630200 | 1500601343 | LOCK+PROTECTION+HOOK CLASS/TB | |
| 55631200 | 1500601349 | FOAM RUBBER CLASS/CARALL/COMBI | |
| 51663710 | 1500601728 | CARRY ALL BOX 150 COVER WHITE | |
| 51663810 | 1500601727 | CARRY ALL BOX 150 BOTTOM WHITE | |
| 51668210 | 1500600441 | CARRY ALL BOX 100 COVER | not available |
| 51668310 | 1500601726 | CARRY ALL BOX 100 BOTTOM | not available |
| 51668400 | 1500601525 | MESHED NET ASSY FOR CA BOX 150 | |
| 51668500 | 1500601524 | MESHED NAT ASSY CA BOX 100 | not available |
| 55630100 | 1500601342 | LOCK+PROTECTION+HOOK COM/CARAL | |
| 55663400 | 1500601353 | FIXAT. MATERIAL CARRY ALL 4PC | |

2020 SPARE PARTS LIST LOCKS

THULE
SWEDEN

PRINTED ON PACKAGING THULE LOCKS:

| | | |
|----------------------------------|---|--|
| <p>KEY NUMBER :</p> <p>.....</p> | <p>EN: Write down your key number and keep this card in a safe place. In case of lost keys, you need this number to order a spare key.</p> <p>DE: Notieren Sie hier Ihre Schlüssel-Nummer und bewahren Sie diese Karte an einem sicheren Ort. Im Falle von verlorenen Schlüsseln, brauchen sie diese Nummer um einen Zweitschlüssel zu bestellen.</p> <p>FR: Notez votre numéro de clé et gardez cette carte dans un endroit sûr. En cas de perte des clés, vous avez besoin de ce numéro pour commander une clé de reserve.</p> <p>NL: Noteer hier uw sleutelnummer en bewaar deze kaart op een veilige plaats. Bij verlies van sleutels heeft u dit nummer nodig om een reserve sleutel te bestellen.</p> | <p>THULE SWEDEN</p>  |
|----------------------------------|---|--|

| ART.NR. | DESCRIPTION | |
|------------|--|--|
| 1500602975 | BLANK KEY TYPE L FOR DOOR LOCKS (1x) | |
| 1500602976 | BLANK KEY TYPE V FOR DOOR LOCKS (1x) | |
| 1500602260 | KEY NUMBER KNOWN - SPARE KEYS FOR DOOR LOCKS (2 PCS) | |
| 1500602681 | KEY NUMBER UNKNOWN - NEW LOCK CYLINDER + 2 KEYS | |

2020 SPARE PARTS LIST
LEVELERS



| | ART.NR. | DESCRIPTION | |
|--|------------|--------------------------|--|
| | 1500601685 | BAG FOR LEVELERS (BLACK) | |