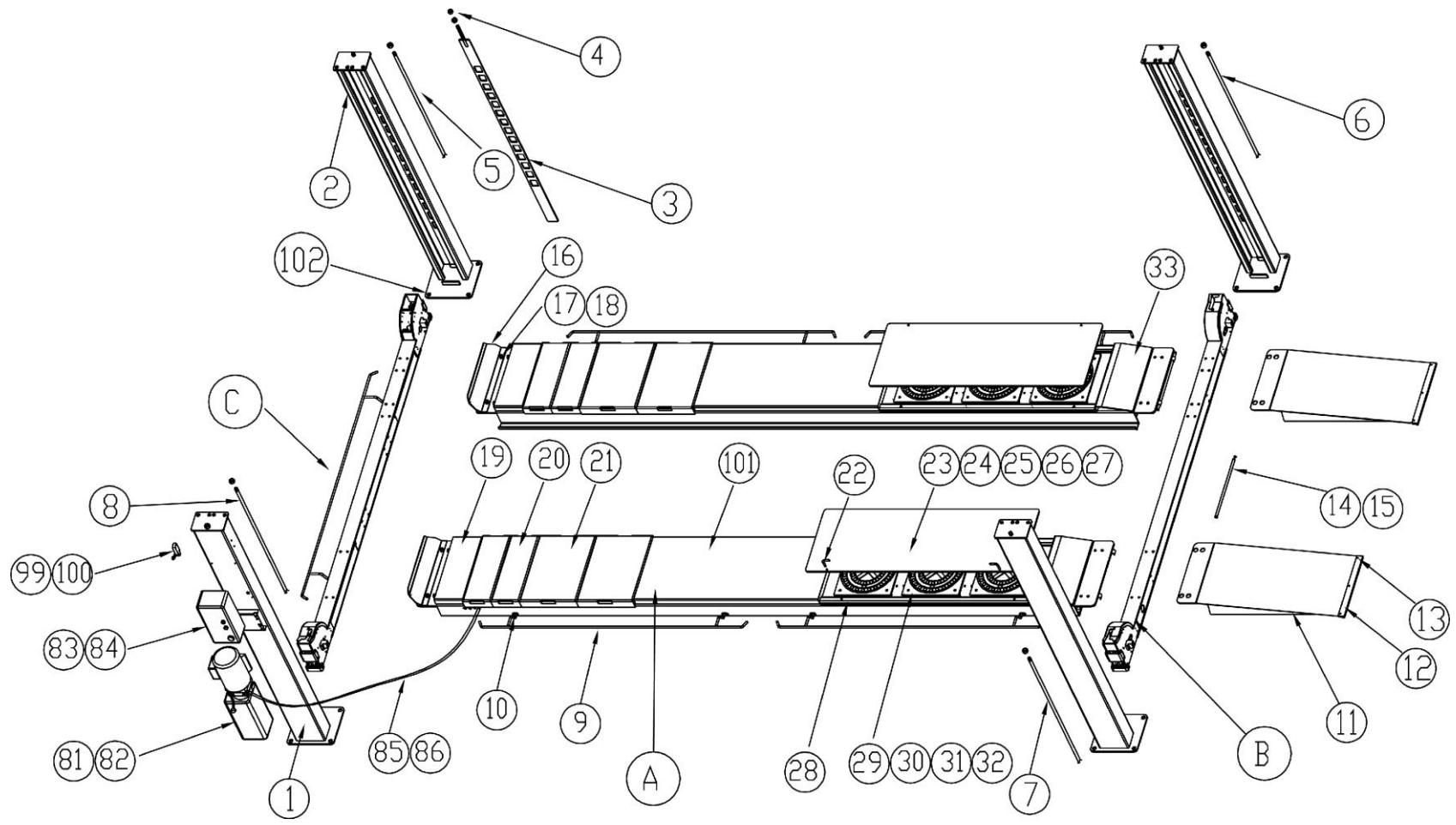
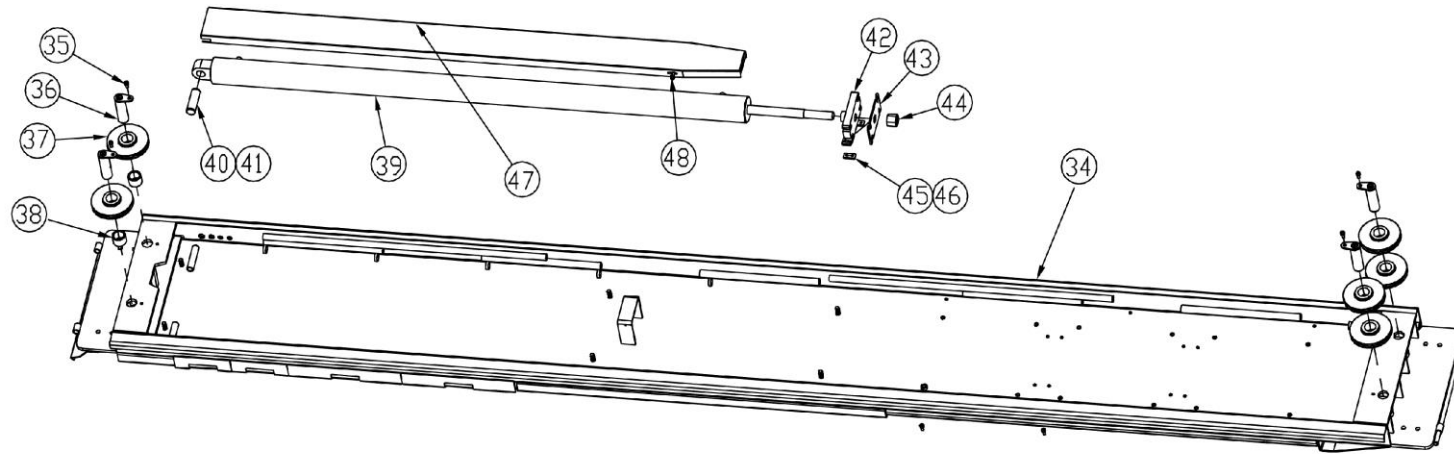


# TW445 SPARE PARTS

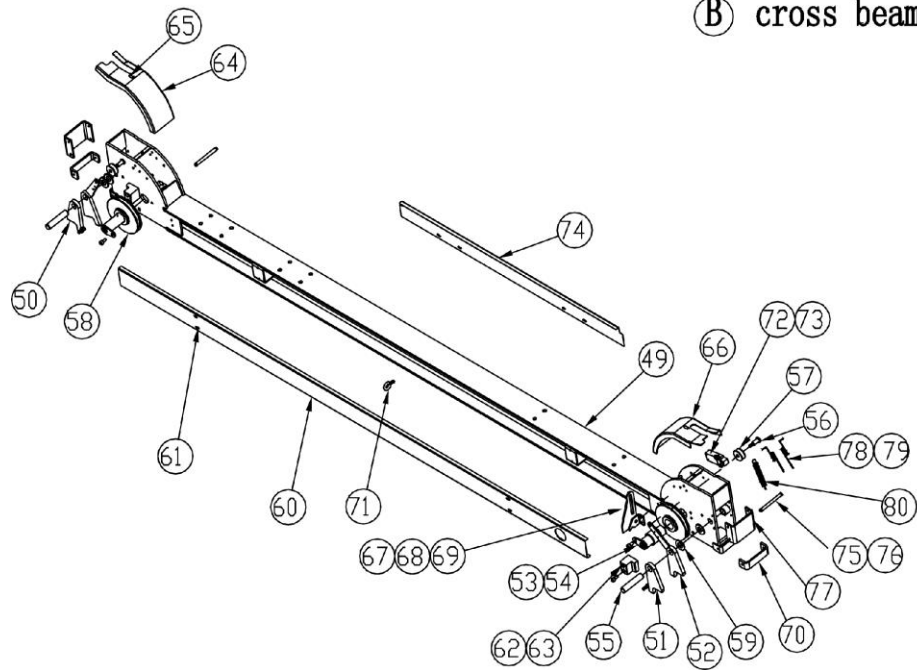


TW445 SPARE PARTS LIST

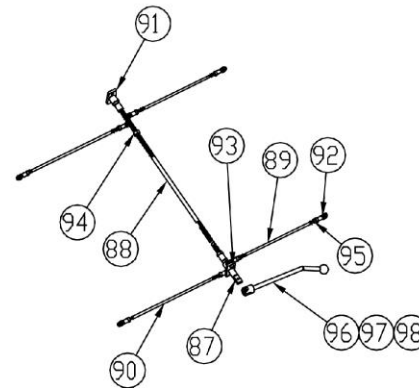
**(A) platform**



**(B) cross beam**



**(C) unlocking system**



## TW445 SPARE PARTS LIST

---

SN	Material	Name	Spec	Qty	Material	Notes	Price (\$)
1		Main Post	FL-8448T-A1-B1	1	weld part	GB/T819.1-2000	
2		Assistant Post	FL-8448T-A2-B1	3	weld part		
3		Safety rack	FL-8448T-A1-B2	4	weld part		32
4		Hex nut	M18	4	standard	GB/T 6170-2000	0.2
5		Steel cable L=9620	FL-8448T-A9	1	standard		23
6		Steel cable L=5000	FL-8448T-A9	1	standard		15
7		Steel cable L=3500	FL-8448T-A9	1	standard		13
8		Steel cable L=8120	FL-8448T-A9	1	standard		20
9		Feet protector	FL-8448T-A16	5	weld part		10
10		Inside hex round head screw	M6*12	10	standard	GB/T 70.1-2000	
11		ramp	FL-8448T-A5-B3	2	weld part		72
12		Ramp slider	FL-8448T-A5-B16	2	Nylon 1010		7.5
13		Cross recessed pan head screws	M5*12	6	standard	GB/T 818-2000	
14		Guide shaft	FL-8803-A22-B4	2	45		
15		Washer	14	4	standard	GB/T 894.2-1986	
16		Block plate	FL-8448T-A5-B2	2	Q235A		
17		Inside hex round head screw	M12*30	20	standard	GB/T 70.1-2000	
18		Spring washer	M12	20	standard	GB/T 93-1987	
19		Box1 weld	FL-8448T-A5-B4	2	weld part		
20		Box2 weld	FL-8448T-A5-B5	4	weld part		
21		Box3 weld	FL-8448T-A5-B6	4	weld part		
22		Insert shaft	FL-8806J-A4-B13	4	45		
23		rear slide plate	FL-8448T-A5-B10-C1	2	weld part		
24		rear slide fix plate	FL-8448T-A5-B10-C2	4	weld part		
25		Nylon sleeve	FL-8448T-A5-B10-C3	4	standard		

## TW445 SPARE PARTS LIST

26		Big gasket		4	Q235A		
27		Open shaft	4	4	standard		
28		Long square pipe	FL-8448T-A5-B9	4	Q235A		
29		Ball plate	FL-8448T-A5-B8	6	weld part		
30		Ball base	FL-8806	6	standard		
31		ball	FL-8806	240	standard		
32		cross hex pan head screw	M10*10	6	standard	GB/T819.1-2000	
33		Small ramp	FL-8448T-A5-B11	2	weld part		
34		Main platform	FL-8448T-A5-B1	1	weld part		
35		Inside hex round head screw	M8*16	10	standard	GB/T 70.1-2000	
36		Slider wheel shaft 2	FL-8448T-A5-B13	8	weld part		3.5
37		Cable wheel	FL-8448T-A3-B8	6	45		6.8
38		Axle sleeve 1	FL-8448T-A5-B12	2	Q235A		
39		Cylinder	φ80*1750	1			220
40		Cylinder shaft	FL-8448T-A5-B15	1	45		
41		Spring washer B	D30	4	standard		
42		Steel cable fix plate	FL-8448T-A7-B2	1	weld part		
43		Steel cable close plate	FL-8448T-A7-B4	1	45		
44		Hex nut	M27	1	standard		
45		small slider	FL-8448T-A7-B3	2	Nylon 1010		0.6
46		crossed head screw	M6*15	1	standard	GB/T819.1-2000	
47		Oil sink	FL-8448T-A19	4	Q235A		
48		Inside hex round head screw	M6*15	2	standard	GB/T 70.1-2000	
49		Main beam	FL-8448T-A3-B1	1	weld part		
50		Main safety rack	FL-8448T-A3-B2	2	weld part		
51		Assistant safety rack	FL-8448T-A3-B3	2	weld part		
52		Steel rope protect part	FL-8448T-A3-B4	4	weld part		
53		Slide wheel shaft 1	FL-8448T-A3-B5	4	weld part		3.5
54		Inside hex head screw	M8*12	4	standard	GB/T 70.1-2000	

## TW445 SPARE PARTS LIST

55	Safety shaft	FL-8448T-A3-B6	4	45		1.0
56	Small wheel shaft	FL-8448T-A3-B7	4	45		1.2
57	Small wheel	FL-8448T-A3-B9	4	Nylon 1010		1.0
58	Steel cable wheel	FL-8448T-A3-B8	4	45		6.8
59	Small washer	FL-8448T-A3-B11	8	Q235A		
60	U Cover	FL-8448T-A3-B12	2	Q235A		
61	inside hex round screw	M6*12	8	standard	GB/T 70.1-2000	
62	slider	FL-8448T-A3-B13	8	Nylon 1010		1.5
63	inside hex round screw	M8*15	16	standard	GB/T 70.1-2000	
64	main cover	FL-8448T-A3-B14	1	ABS		1.6
65	Flat washer C	M8	2	standard		
66	Assistant cover	FL-8448T-A3-B15	1	ABS		1.6
67	Handler fix plate	FL-8448T-A14	1	Q235A		
68	Handler recover plate	FL-8448T-A15	1	Q235A		
69	inside hex round screw	M10*12	1	standard	GB/T 70.1-2000	
70	Safety fix plate	FL-8448T-A3-B18	4	Nylon 1010		
71	Round circle	FL-8448T-A3-B17	2	45		
72	Limit switch 8104			standard		
73	inside hex round screw	M5*15	2	standard	GB/T 70.1-2000	
74	cover	FL-8448T-A3-B22	2	Q235A		
75	steel cable shaft	FL-8448T-A3-B23	4	45		
76	Spring washer B	M10	8	standard		
77	Fix plate	FL-8448T-A3-B16	4	Q235A		
78	Torsion Spring 1	FL-8448T-A3-B19	2	65Mn		
79	Torsion Spring 2	FL-8448T-A3-B21	2	65Mn		
80	spring	FL-8448T-A3-B20	8	65Mn		
81	Power Unit		1			
82	inside hex round screw	M10*15	4	standard	GB/T 70.1-2000	
83	Control Box		1	weld part		

TW445 SPARE PARTS LIST

84		Crosses head screw	M6*15	4	standard		
85		Oil pipe	L=1700 1 straight/1 bend	1	weld part		10
86		Spring	FL-8448T-A17	1	65Mn		
87		Handler connect plate	FL-8448T-A11-B1	1	weld part		
88		Rob 1	FL-8448T-A11-B2	1	45		
89		Rob 2	FL-8448T-A11-B3	1	weld part		
90		Rob 3	FL-8448T-A11-B4	1	65Mn		
91		Handler connect plate2	FL-8448T-A11-B5	1	weld part		
92		Universal connector	FL-8448T-A11-B6	5	standard		
93		inside hex round screw	M8*30	4	standard	GB/T 70.1-2000	
94		Hex nut	M12	2	standard	GB/T 6170-2000	
95		Hex nut	M8	12	standard	GB/T 6170-2000	
96		Handler	FL-8448T-A11-B8	1	standard	GB/T 5781-2000	
97		Handler ball	M10×32	1	plastic		
98		Crosses head nut	M6*30	1	standard	GB/T819.1-2000	
99		Limit switch 8108		1	standard		
100		inside hex round screw	M5*12	2	standard	GB/T 70.1-2000	
101		Box 4	FL-8448T-A5-B7	2	weld part		
102		Expansion bolt	M18*180	16	standard		