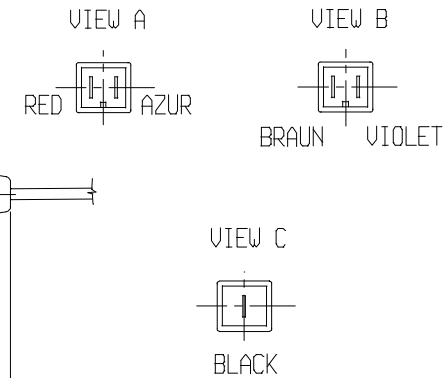
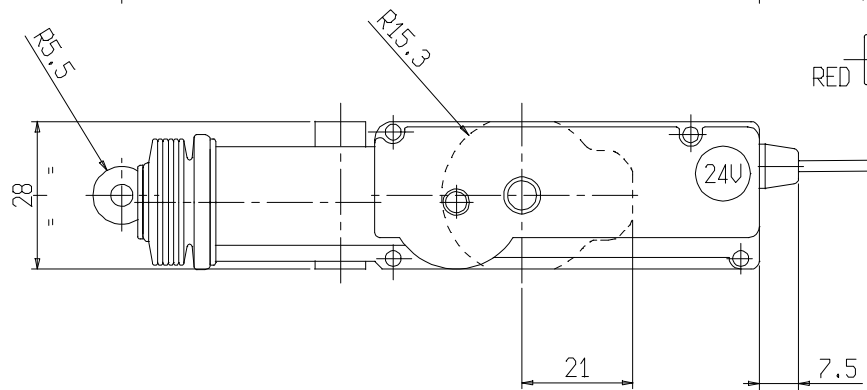
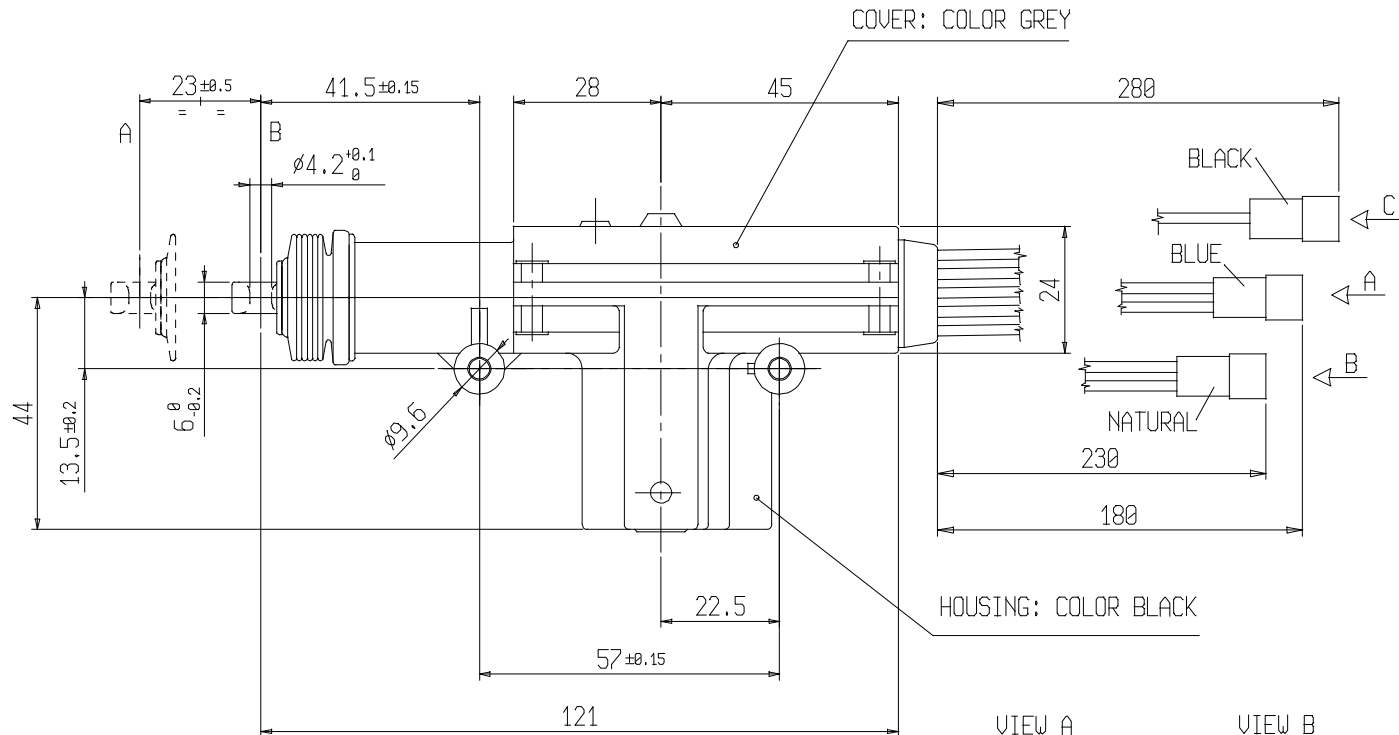


ELECTRICAL DIAGRAM


1M + STROKE A
2M -

1M - STROKE B
2M +



MODIFICHE: RELEASED DRAWING 13/03/83

NOMINAL VOLTAGE: 24 V
 OPERATING FORCE: 30N AT 24V AND 20°C
 CURRENT LOAD AT 24V AND 20°C: 2.5A MAX.
 OPERATING TIME: 0.3 sec.
 TEMPERATURE RANGE: -35°C TO +85°C
 FORCE FOR MANUAL STROKE: 5N

 MICROMOTORI ELETTRICI SVIZZERA		Complessivo MOTOR ASSEMBLY DOOR LOCK (FRONT)	File 309098604
Disegnato LENGENHOFER	Visto	Elemento ASY DRAWING	Dis. 30.90999.05
Data 13.03.83	Scala 1:1	Materiale	Trattamento

