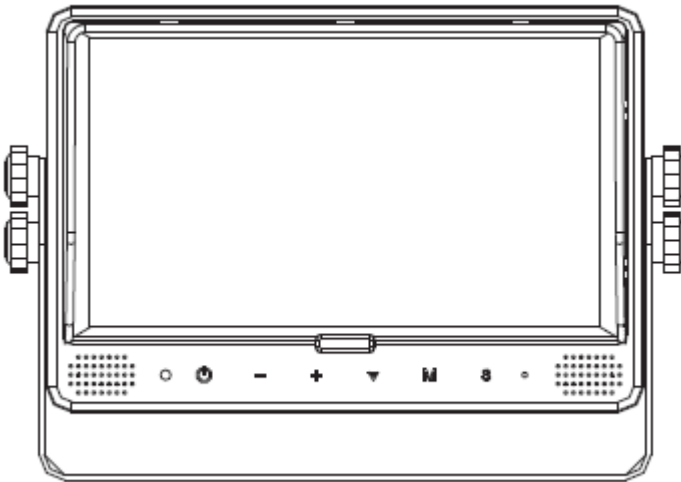



Continental Component Specification

ProViu®ASL360 – 9” monitor

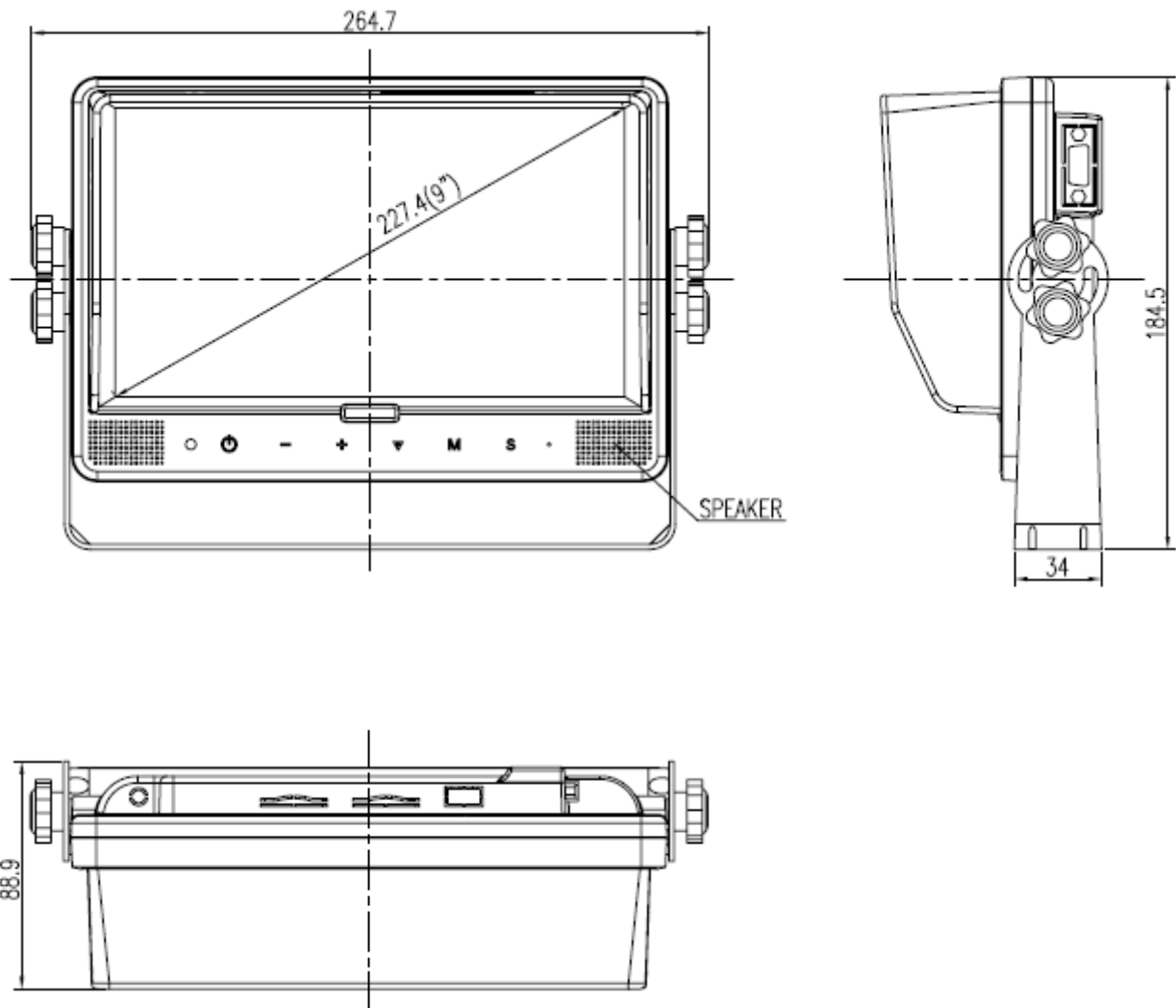
| Conti PN | Description |
|---------------|--------------------------|
| 2910000466100 | ASL 360 9” touch monitor |




| | |
|----------------|------------------------|
| Display: | Color TFT - LCD |
| Size: | 9" |
| Resolution: | 800 X RGB X 480 (WVGA) |
| Brightness: | 400 cd/m2 |
| Contrast: | 500:1 |
| Viewing angle: | U:50°/D70°; R/L:70° |
| Power Supply: | 10 - 32 V |
| Dimensions: | 265(w)x185(h)x89(d)mm |
| Oper. temp.: | -20°C to +70°C, |
| Storage temp.: | -30°C to 80°C |
| Weight: | 1.85 kg |

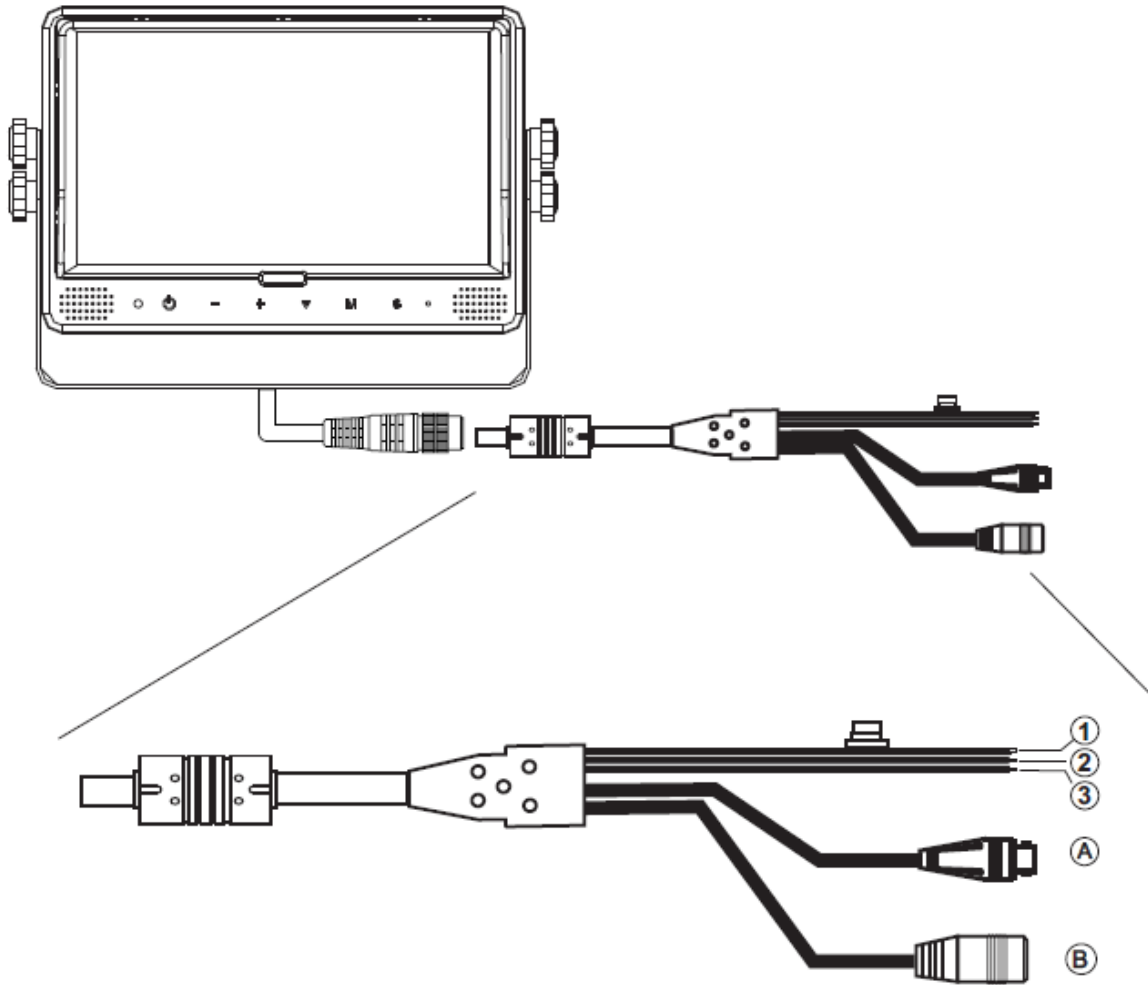
| | | | | | |
|---|---|--------------------------|----------------------------------|------------|-----------|
| Designed by | Daniel.Wappler@continental-corporation.com | Date | 2015-02-19 | Department | I CVAM VE |
| Released by | Eike.Bettendorf@continental-corporation.com | Date | 2015-02-19 | Department | I CVAM VE |
|  | Designation | | | | |
| | ProViu®ASL360 – 9” Touch Monitor | | | | |
| Document key | | Current document version | | Pages | |
| A2C...AAA | | A | | 1 of 3 | |
| Sossenheim | | | Copyright © Continental AG, 2008 | | |

Continental Component Specification



| | | | | | |
|---|---|----------------------------------|--------------------------|------------|-----------|
| Designed by | Daniel.Wappler@continental-corporation.com | Date | 2015-02-19 | Department | I CVAM VE |
| Released by | Eike.Bettendorf@continental-corporation.com | | 2015-02-19 | | I CVAM VE |
|  | Designation | | | | |
| | ProViu@ASL360 – 9” Touch Monitor | | | | |
| Document key | | | Current document version | | Pages |
| A2C...AAA | | | A | | 2 of 3 |
| Sossenheim | | Copyright © Continental AG, 2008 | | | |


Continental Component Specification



Ⓐ Camera 1 Ⓑ 3.5MM AUX Connector

① Red: Power ② White: 12V Signal Output ③ Black: Ground

COUNTRY OF ORIGIN: CHINA

| | | | | | |
|---|---|--------------------------|----------------------------------|------------|-----------|
| Designed by | Daniel.Wappler@continental-corporation.com | Date | 2015-02-19 | Department | I CVAM VE |
| Released by | Eike.Bettendorf@continental-corporation.com | Date | 2015-02-19 | Department | I CVAM VE |
|  | Designation | | | | |
| | ProViu®ASL360 – 9" Touch Monitor | | | | |
| Document key | | Current document version | | Pages | |
| A2C...AAA | | A | | 3 of 3 | |
| Sossenheim | | | Copyright © Continental AG, 2008 | | |