

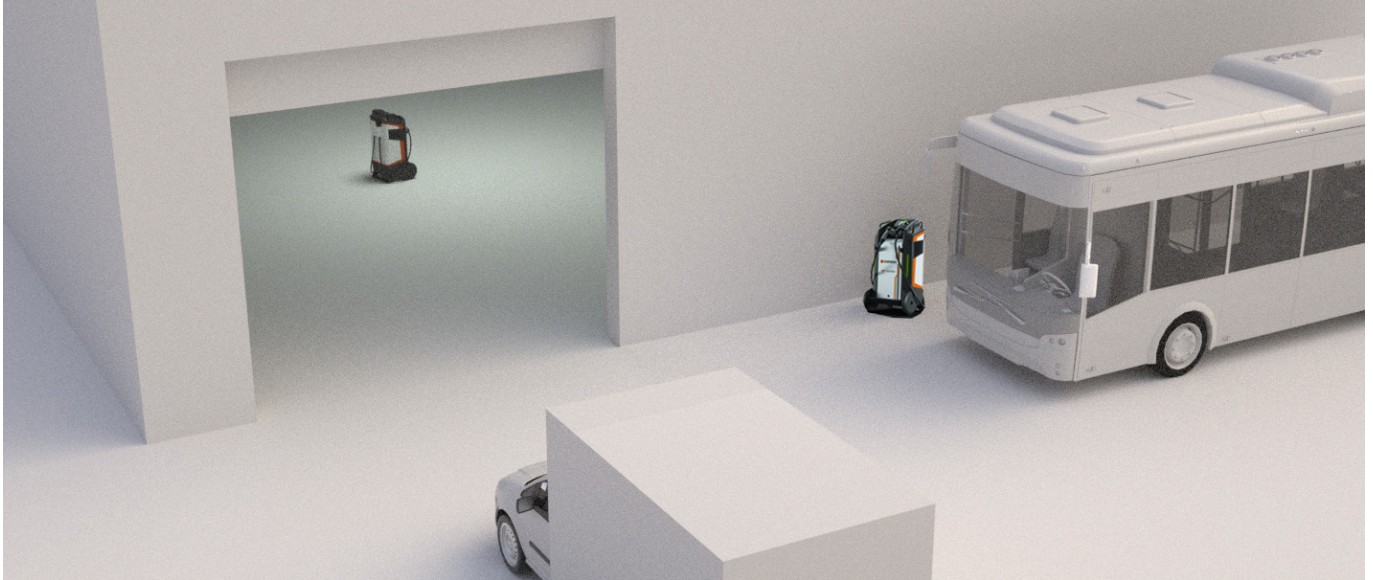
# Movable Charging Station

## Technical Datasheet

---

### T-series

### Charging on-demand



### Movable electric vehicle charger

T-Series is a movable DC charging station for all types of electric vehicles. Instant charging power for when and where you need it the most.

T500 model is optimized for cars having regular battery voltage and T800 for buses and heavy vehicles operating with high voltage batteries.

T-series is a perfect solution for depots, logistic centers, car dealers, workshops, event organisers, heavy vehicle service shops, or any other application where relocatable fast charging is required.

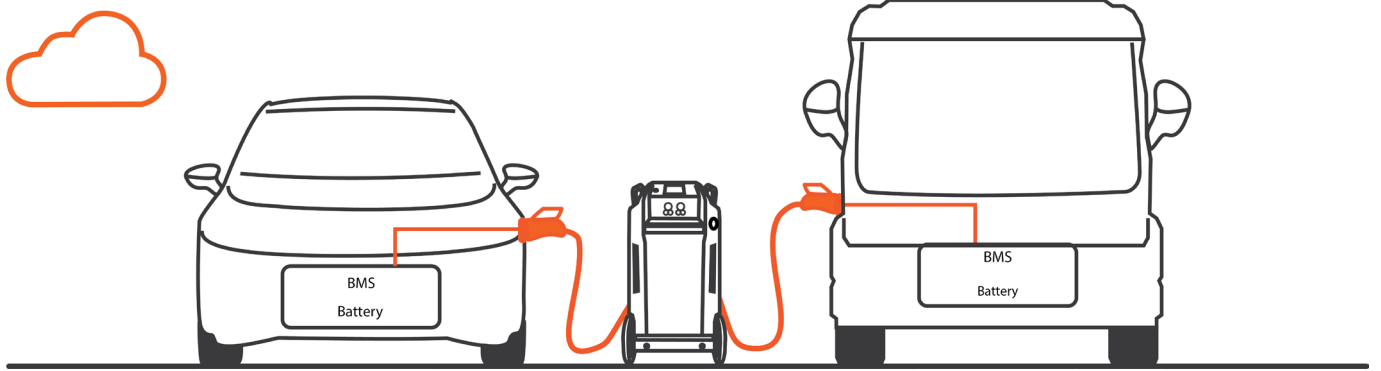
- ▶ Adopting CCS 2, CHAdeMO and Type 2.
- ▶ Suitable for both 63A and 32A sockets.
- ▶ Dual charging option with 20 kW from each channel.
- ▶ Wireless or Ethernet connection enables remote control and diagnostics and software updates
- ▶ Possibility to remove the wheels for fixed installation.
- ▶ Possibility to lock device to the base with pad lock.



Locate T-series to optimal site and plug 63 A or 32 A mains socket and your charging station is ready to go!

# T-series

## Technical datasheet



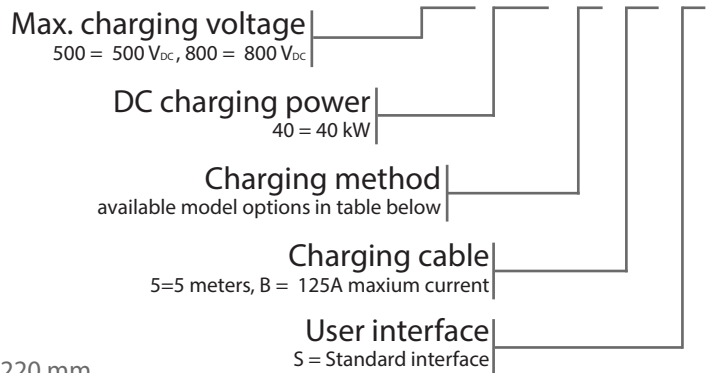
**⚠ Warning:** Never disconnect the charging trolley from the power supply outlet while trolley is charging. Unit must be always switched OFF prior to disconnection.

### Features and Dimensions



### T-series product codes

**T500 - P40 - C - 5B - S**



Type	Description
C	CCS 2
CC	2 x CCS 2
CA	CCS 2 & Type 2 AC
CCA	2 x CCS 2 & Type 2 AC
D	CHAdEMO
DA	CHAdEMO & Type 2 AC
CD	CCS 2 & CHAdEMO
CDA	CCS 2, CHAdEMO & Type 2 AC

Current	Description
A	60 - 80 A
B	125 A

# Specification

## General electric specifications T-Series

Input Power (AC)	3P+N+PE, 63 A plug
AC cable length	5 m
Input Voltage Range	380 ... 480 V <sub>AC</sub> +/- 10%
Nominal Input current	63 A
Nominal Input power	43.6 kVA
Input frequency	50 ... 60 Hz
Power Factor (@full load)	0.94
Efficiency	95% @ nominal output power
Standby P consumption	20 VA

## DC charging output T500

Connector types	CCS 2, CHAdeMO
DC cable length	5 m
Nom. Output power	40 kW (in 2-in-1 models: 20 kW/DC-output)
Nominal output current	100 A
Output voltage range	150 - 500 V <sub>DC</sub>
Max. Output V	580 V <sub>DC</sub> with 400 V <sub>AC</sub> 650 V <sub>DC</sub> with 480 V <sub>AC</sub>

## DC charging output T800

Connector types	CCS 2, CHAdeMO
DC cable length	5 m
Nom. Output power	40 kW (in 2-in-1 models: 20 kW/DC-output)
Nominal output current	60 A
Output voltage range	200 - 800 V <sub>DC</sub>
Max. Output V	920 V <sub>DC</sub> with 400 V <sub>AC</sub> 1000 V <sub>DC</sub> with 480 V <sub>AC</sub>

## AC charging output (Optional)

Connector types	Type 2 AC
AC connection type	Socket IEC 62196
Maximum output power	22 kW
Maximum output current	3 x 32 A
Output voltage	equal to supply voltage, 380 ... 480 V <sub>AC</sub> +/- 10%

## Features

3G/4G/LTE, WiFi, OCPP 1.6/2.0, cloud based back-end, service and management dashboard, Main switch, 7" touch screen, start/stop buttons, cloud based back-end, service and management dashboard, LED-status lights, cable holders, RFID-reader, Polyurethane heavy duty wheels, Mounting pad

## Environmental Specifications

Operating Temperature	-30 to +50 °C
Derating high ambients	1,5%/1°C up to +55°C max
Maximum altitude	4000 m
Altitude derating	1%/100m above 2000 m
Storage Temperature	-40 to +60 °C
Enclosure class	IP54, IK10
Operational noise level	< 60 dB
Humidity	< 95% relative humidity

## Electrical Protections

Over/under voltage, Surge protection, Short circuit, Earth leakage current, Device and charging cable over temperature

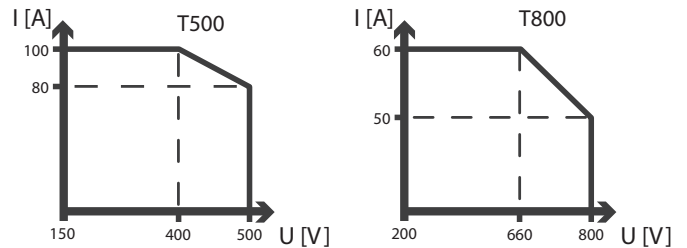
## Compliant to Standards

Electrical safety	IEC 61851-1, IEC 61851-23
EMC	IEC 61851-21-2, EN 61000-1, -2, -3, -4
Harmonics	EN 61000-3-2

## Mechanical dimensions (WxHxD)

640 x 1220 x 670 mm footprint, 120 kg

## Power curves of T500 and T800-series





## T-series options

Pos.	Item	Definition
1.	9901075	63/32 A Cable adapter 2 meters
2.	9901076	63 A Extension cable 5 meters

© Kempower 2020 T-series datasheet Rev B 04-2020.pdf

Your local dealer


**KEMPOWER**  
 Defining Charging  
[kempower.com](http://kempower.com)

CE Manufactured in Finland

Subject to change without notice © Kempower 2020