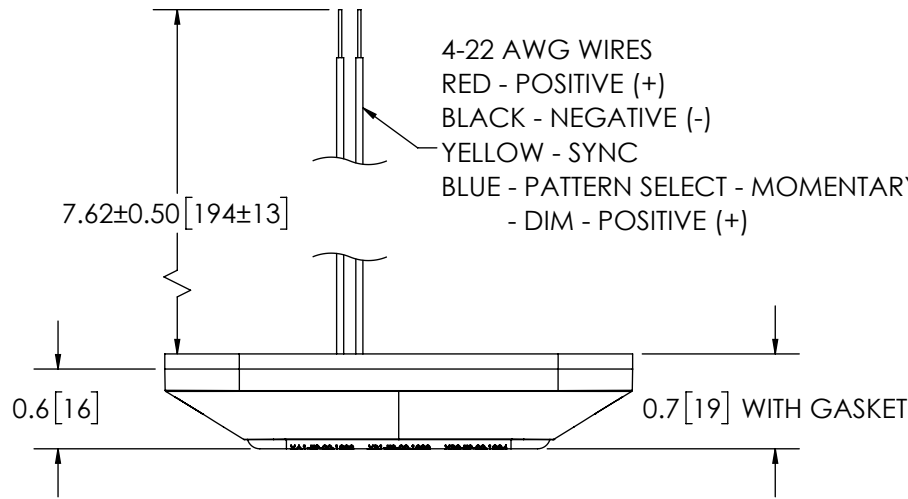


REVISION HISTORY

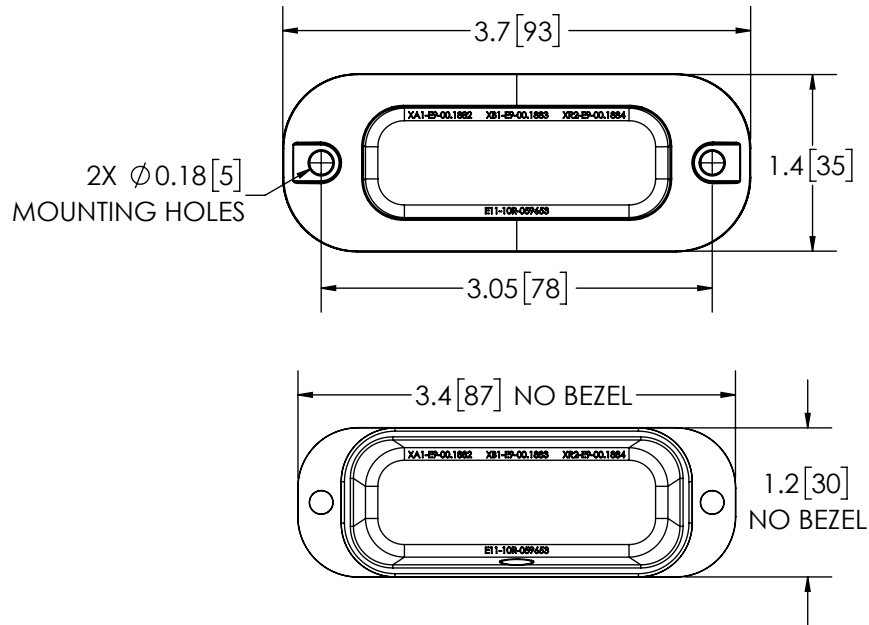
REV.	DESCRIPTION	DATE
03	REVISED PER C14031	2019-03-20
04	REVISED PER C14031	2019-04-09
A	INITIAL RELEASE PER C14031	2019-04-11

4-22 AWG WIRES
 RED - POSITIVE (+)
 BLACK - NEGATIVE (-)
 YELLOW - SYNC
 BLUE - PATTERN SELECT - MOMENTARY TO NEGATIVE (-)
 - DIM - POSITIVE (+)



SPECIFICATIONS

- CERTIFICATIONS: IP67; REG10; SAE J595 (SEE CHART); CA Title 13 (SEE CHART); REG 65 (SEE CHART)
 Note: Unique components, accessories, and hardware kits are not typically Included in the Product Certification Test Protocols. Unless otherwise Specified, the Product Certifications referred to herein are predicated upon the base product model configuration.
- FLASH MODE: CYCLE: N/A FLASHES PER MINUTE
 SINGLE: 75 ± 5 FLASHES PER MINUTE
 SINGLE : 120 ± 5 FLASHES PER MINUTE
- VOLTAGE (NOMINAL): 12-24 VDC
- VOLTAGE (EXTREME): 9-32 VDC
- CURRENT (PEAK): SEE CHART
- POWER (MAXIMUM): SEE CHART
- TEMPERATURE RANGE: -40°F (-40°C) TO 149°F (65°C)
- CONNECTION: 4 - 22 AWG WIRES
- MOUNTING: 2 BOLT
- BASE MATERIAL: POLYCARBONATE
- LENS MATERIAL: POLYCARBONATE
- PRODUCT WEIGHT: 0.10 LBS (0.043 Kg)



FGS PRODUCT CHART

FGS P/N	COLOR	CURRENT (PEAK) @ 12VDC NOMINAL	POWER (MAX) @ 12VDC NOMINAL	REG65	SAEJ595	CA TITLE 13
ED3703A	AMBER	0.40 A	5.4 W	CLASS 1	CLASS 1	CLASS B
ED3703B	BLUE	0.40 A	5.1 W	CLASS 1	CLASS 1	CLASS B
ED3703C	WHITE	0.44 A	5.6 W	-	CLASS 1	-
ED3703R	RED	0.30 A	4.1 W	CLASS 2	CLASS 1	CLASS B
ED3703G	GREEN	0.44 A	5.6 W	-	-	-

NOTES:
 1. ROHS COMPLIANT
 2. DIMENSIONS IN INCHES [MILLIMETERS (FOR REFERENCE)]

PROPRIETARY AND CONFIDENTIAL INFORMATION

THIS DRAWING AND THE DESIGN AND OTHER INFORMATION DISCLOSED HEREIN ARE THE PROPERTY OF ELECTRONIC CONTROLS COMPANY AND/OR ITS ECCO SAFETY GROUP AFFILIATES ("ECCO") AND IS ISSUED IN CONFIDENCE TO RECIPIENT FOR ENGINEERING INFORMATION PURPOSES ONLY. THIS DRAWING AND THE DESIGN AND OTHER INFORMATION DISCLOSED HEREIN MAY NOT BE USED, COPIED, REPRODUCED OR OTHERWISE DISCLOSED IN PART OR IN WHOLE TO THIRD PARTIES OR USED FOR ANY OTHER PURPOSE WITHOUT PRIOR ECCO WRITTEN CONSENT. ECCO RESERVES ALL PATENT, COPYRIGHT, TRADEMARK AND OTHER PROPRIETARY RIGHTS TO THIS DOCUMENT, INCLUDING ALL DESIGN, MANUFACTURING, REPRODUCTION, USE AND SALES RIGHTS THERETO. THIS DRAWING IS SUBJECT TO RECALL BY ECCO AT ANY TIME, AND YOUR POSSESSION AND/OR USE CONSTITUTES ACCEPTANCE OF THESE TERMS. ©2019 ELECTRONIC CONTROLS COMPANY

SCALE 2:3		APPROVALS	DATE
CAD GENERATED DRAWING DO NOT MANUALLY UPDATE. MODEL REFERENCED: A		DRAWN BY BTK	2019-04-09
TOLERANCES ARE IN INCHES, AND MILLIMETERS TOLERANCES UNLESS OTHERWISE STATED ARE:		CHECKED MDH	2019-04-09
MILLIMETERS DECIMALS XX. ± 1.0mm XX.X ± 0.5mm	INCHES DECIMALS X.X ± 0.1 X.XX ± 0.04 X.XXX ± 0.02	MECH. ENG.	
	ANGLES ± 0.5° FRACTIONS ± 1/64	ELEC. ENG. JES	2019-04-09
		TEST ENG. JRT	2019-04-10
		SALES. DMV	2019-04-11
THIRD ANGLE PROJECTION			

ECCO www.eccolink.com

3 LED, SURFACE MNT, 12-24VDC

CUSTOMER PART NO. **SEE CHART** PRODUCT SERIES: **ED3703**

SIZE: **A** DWG. NO. **ED3703X** REV. **A**

Electronically Controlled Use Latest Copy SHEET 1 OF 1 Project: C14031 Date Created: 2019-02-20