

# WP-ACR WhisperPower Alternator Charge Regulator

Recreational vehicles • Commercial trucks • Marine applications



Datasheet

Boost your alternator power and extend your battery life time



## Alternator regulators

**WP-ACR 12 • WP-ACR 24**

Boost your alternator current with the WP-ACR alternator charge regulator and assure that the battery charging will be done safe and quick. Power from the alternator is efficiently transferred to the batteries by the ACR multi step charge regulator, resulting in a fast recharge and correct maintenance of the battery.

- High charge current at low rpm of the alternator
- Recharging the battery for the full 100% within a short period
- Three step charge algorithm, suitable for GEL, AGM and 'wet' batteries
- Extends battery life considerable
- Temperature sensor as standard
- Water proof IP 65 enclosure



green energy solutions



green energy solutions



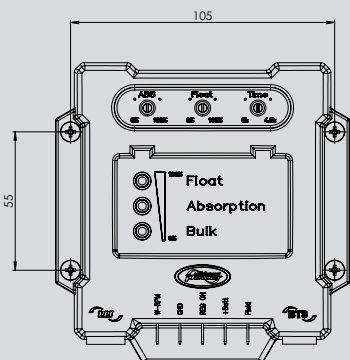
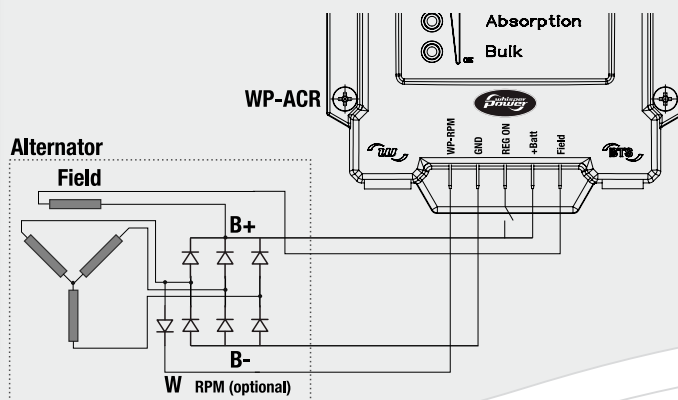
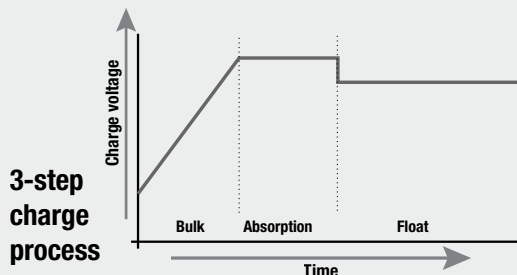
## WP-ACR Alternator Charge Regulator

Art. No.	12 VDC - 60115100	24 VDC - 60115200
<b>General</b>		
Nominal operation voltage	12 VDC	24 VDC
Temperature sensor	Yes, cable length 6m.	
Cable harness	Yes, length 1.5m	
Connection plug regulator/alternator	WhisperPower Alternator	
Alternator type	WhisperPower, low voltage, brush type	
<b>Electrical</b>		
Charge voltage - Absorption	14.25 VDC	28.50 VDC
Charge voltage - Float	13.25 VDC	26.50 VDC
Absorption Voltage range	13..15 VDC	27..31 VDC
Float Voltage range	13..13.9 VDC	26..27.8 VDC
Absorption time	0h..4.5h	
Temperature Compensation	-30mV/°C	-60mV/°C
Rev counter input	Prepared	
Operation Temperature	-20°C .. 80°C	
<b>Settings/Read out</b>		
Voltage settings	By trimmers on device	
Time settings	By trimmers on device	
Status read-out	LED's	
<b>Communication</b>		
Communication bus	WhisperConnect prepared	
<b>Mechanical</b>		
Dimensions [mm] [L x W x H]	117 x 120 x 26,67	
Dimensions [inch] [L x W x H]	4,60 x 4,72 x 1,05	
Weight [kg]	0.4 Kg	
Packaging simensions [mm] [L x W x H]	330 x 230 x 65	
Protection Degree	IP65	
Housing Material	UL 94-V0	

### WP-ACR product features

The WP-ACR charge algorithm permanently regulates the charge voltage, ensuring that the battery is always kept in good condition. The charge voltage is automatically adjusted during the process of charging, incorporating the battery's ambient temperature. There is no danger of battery gas formation. The WP ACR is also ideal to combine with WP BI battery separator in case 2 or three battery banks have to be charged. A simple three led read out on the regulator indicates the charge phase. Charging voltage is set easily by adjusting the settings on the front of the regulator.

The WP ACR is supplied as standard with the DC Belt Power Alternator system. Installing is straight forward, an alternator wire harness of 1.5m and a battery temperature sensor are included. FastOn connections are available to connect the cable to the alternator. Consult your WhisperPower technical sales partner or technician if you are planning to upgrade your alternator installation. The WP ACR can be made compatible to other alternator brands available in the market.



Art. Nr.	Item
60115101	WP-ACR Cable harness standard
60115102	WP-ACR Cable harness BOSCH - optional
60201201	WP-BTS Temperature sensor + 1.5m cable
60201202	WP-BTS Temperature sensor + 6m cable

