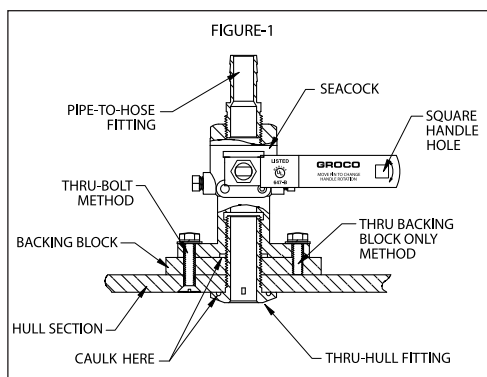


BV Series Full Flow Seacocks

Installation, Operation, and Maintenance

Installation: Refer to figure-1. Install the seacock in accordance with ABYC H-27 onto a backing block of suitable material for wet bilge areas. The backing block serves to further spread the load, but not directly on the hull section through which the thru-hull fitting penetrates. Some installers prefer bolting through the hull and backing block, while others will bond the backing block permanently to the hull, and then bolt into the backing block, but not all the way through the hull. Either installation is acceptable. Depending on the combined backing block + hull thickness, the thru-hull fitting length may need to be reduced so it does not bottom out inside the seacock before proper compression is achieved.



reach the handle in an inaccessible location. Exercise caution when operating the valve with a ratchet handle attached as the added length provides a mechanical advantage that could damage the valve handle.

Bonding: The seacock base has a bonding screw. Use at least 14ga marine grade stranded copper wire to connect the seacock to the vessel bonding system. Bonding may be made in series with other non-motorized equipment such as strainers. **WARNING: DO NOT** bond motorized equipment such as air conditioner pumps in series with the seacock. Motorized equipment must have a separate connection to the vessel AC or to the DC grounding bus, in accordance with ABYC E-11, Figure-18.

Operation: The valve is closed when the handle is horizontal (perpendicular to the thru-hull fitting) and is open when vertical (parallel to the thru-hull fitting).

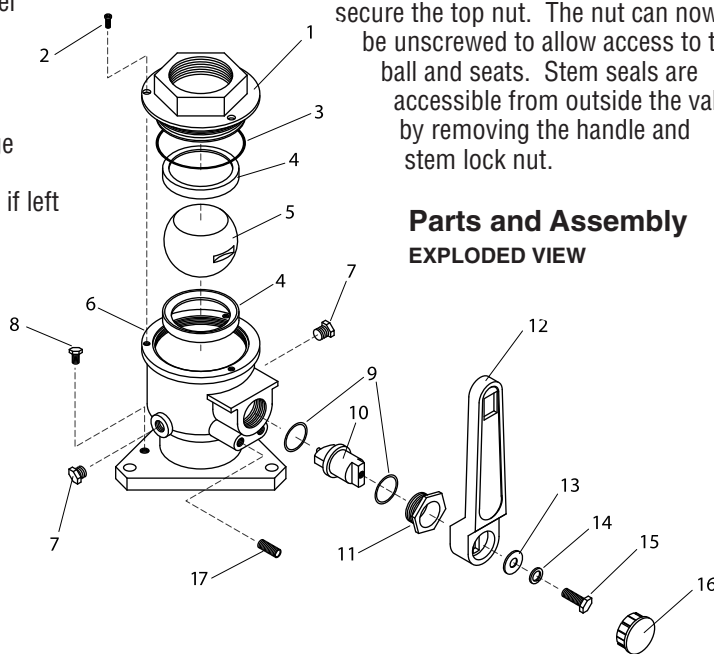
Winterization: Freezing may damage the seacock and connected plumbing if left filled with water. In freezing conditions, close the seacock and drain the water from the valve by removing the drain plug(s). Replace and tighten the drain plug(s) after draining.

Connections: GROCO offers a complete line of straight, 45-degree and 90-degree cast bronze pipe/hose fittings in full flow (FF or FFC) or standard flow (PTH, PTHD and PTHC) models to complete your installation. Use TFE thread tape on threaded connections; double clamp hose connections.



Maintenance: No regular maintenance is required. It is recommended that the valve be operated at least monthly to assure free movement and to prevent the build-up of nuisance marine growth. If service is required, GROCO BV series seacocks allow in-field disassembly. Remove the cap screws (Exploded View Item-2) that secure the top nut. The nut can now be unscrewed to allow access to the ball and seats. Stem seals are accessible from outside the valve by removing the handle and stem lock nut.

Parts and Assembly EXPLODED VIEW



Reversing Handle Rotation: GROCO BV seacocks include the patented user-selectable handle rotation feature. If seacock location does not allow unobstructed handle operation, you may change the rotation direction by relocating the set-screw (Exploded View Item-17). The set-screw may be removed all-together if 180-degree handle rotation is desired.

Square Handle Hole: GROCO BV seacock handles have a square hole that will accept a standard ratchet extension. Use this feature to break loose a stuck valve or to

Item	Name	Qty	BV-750	BV-1000	BV-1250	BV-1500	BV-2000	BV-2500	BV-3000	BV-4000	BV-5000
1	Top Nut	1	BV-752	BV-1002	BV-1252	BV-1502	BV-2002	BV-2502	BV-3002	BV-4002	BV-5002
2	Screw	3	632X38SOC	632X38SOC	632X38SOC	632X38SOC	-	-	-	-	-
2	Screw	4	-	-	-	-	632X38SOC	632X38SOC	632X38SOC	1032X12SOC	1032X12SOC
3	O-Ring	1	2-122	2-127	2-135	2-140	2-150	2-154	2-157	2-162	2-263
4	Seat	2	BV-756	BV-1006	BV-1256	BV-1506	BV-2006-1	BV-2506-1	BV-3006-1	BV-4006-1	BV-5006-1
5	Ball	1	BV-754	BV-1004	BV-1254	BV-1504	BV-2004	BV-2504	BV-3004	BV-4004	BV-5004
6	Body	1	BV-750-BT	BV-1000-BT	BV-1250-BT	BV-1500-BT	BV-2000-BT	BV-2500-BT	BV-3000-BT	BV-4000-BT	BV-5000-B
7	Drain Plug	2	1827HB	1827HB	1827HB	1827HB	1827HB	1827HB	1827HB	1827HB	1827HB
8	Screw	1	1420X12HS	1420X12HS	1420X12HS	1420X12HS	1420X12HS	1420X12HS	1420X12HS	1420X12HS	1420X12HS
9	Seal	3	1-015	1-017	1-017	1-116	1-116	1-118	1-118	1-216	1-216
10	Driver	1	BV-751-A	BV-1001-A	BV-1001-A	BV-1501-A	BV-1501-A	BV-2501-B	BV-2501-B	BV-4001-B	BV-4001-B
11	Nut	1	BV-503-A	BV-1003-A	BV-1003-A	BV-1503-A	BV-2003-A	BV-2503-A	BV-2503-A	BV-4003	BV-4003
12	Handle	1	BV-508	BV-1008	BV-1008	BV-1508	BV-1508	BV-2508-A	BV-3008-A	BV-4008-A	BV-4008-A
13	Washer	1	13FS	14FS	14FS	38FS	38FS	38FS	38FS	38FS	38FS
14	Lockwasher	1	13SS	14SS	14SS	38SS	38SS	38SS	38SS	38SS	38SS
15	Bolt	1	1228X38SS	1420X12HS	1420X12HS	3816X58HS	3816X58HS	3816X58HS	3816X58HS	3816X34HS	3816X34HS
16	Cap	1	PFW-10	PFW-11	PFW-11	PFW-12	PFW-12	PFW-13	PFW-1	-	-
17	Set Screw	1	1420X58SSS	1420X58SSS	1420X58SSS	1420X58SSS	1420X58SSS	51618X34SSS	51618X34SSS	3816X1SSS	3816X1SSS