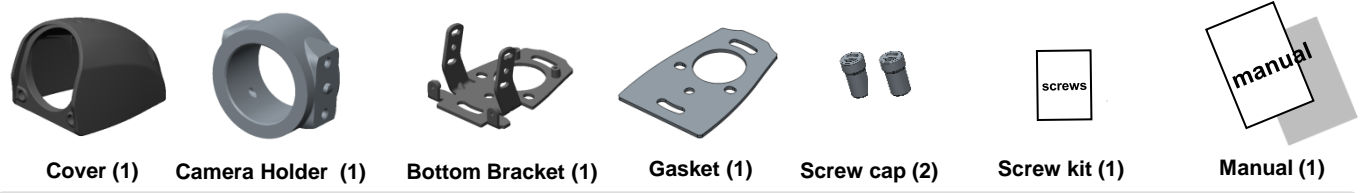


◆ BRMXN12-01

- Side view mount bracket for MXN12 camera series
- Suitable for various applications
- Easy Installation
- Aerodynamic and fashionable design
- Robust housing
- Adjustable viewing direction
- Stainless steel "bottom bracket" & "screw kits"

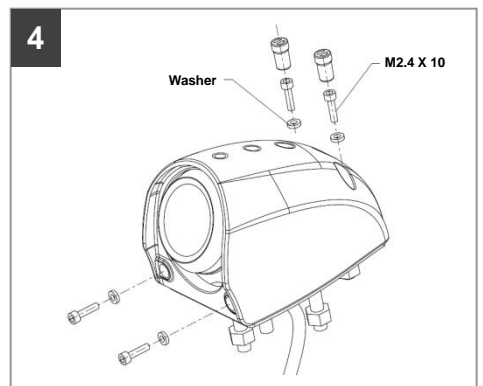
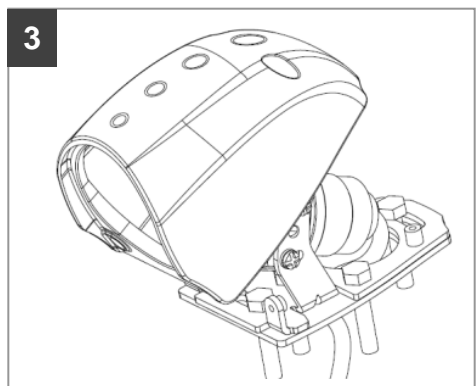
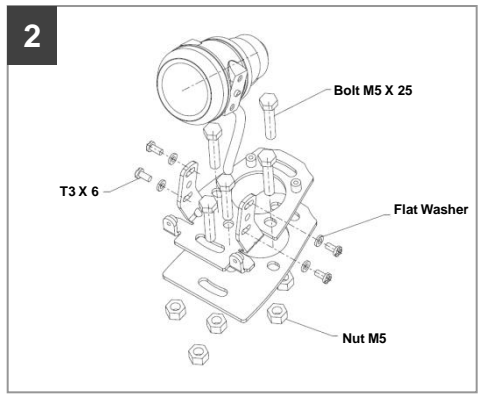
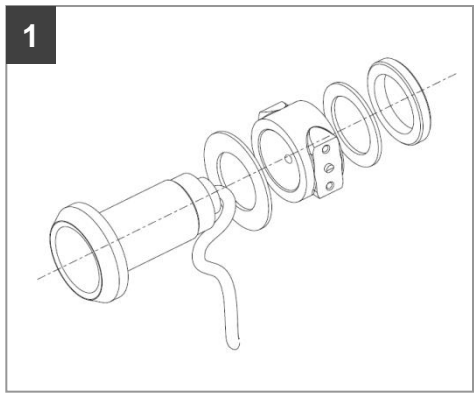


◆ Contents



◆ Camera Installation

- **Screw kit**
 - Screw T3 x 6 (4)
 - Flat Washer (for T3 x 6) (4)
 - Bolt M5 x 25 (5)
 - Nut M5 (5)
 - Screw M4 x 24 (5)
 - Screw M2.5 x 10 (4)
 - Washer (for M2.5 x 10) (4)
- **Compatible MXN12 cameras (optional):**
 - MXN12C - 130 degree lens angle
 - MXN12CW - 160 degree lens angle



- Make sure in advance that there is enough free space available at the inside of the vehicle's roof before you drill any holes from the outside.
- Install the camera into camera holder.
- Install the bracket's bottom plate at a suitable position on the vehicle's body.
- Before fixing the fixation holder, adjust the camera's viewing direction into the required camera picture at the monitor.
- Then run the camera cable through the rubber grommet (in organic lines) and close the bracket's top housing part carefully.

◆ Dimensions

