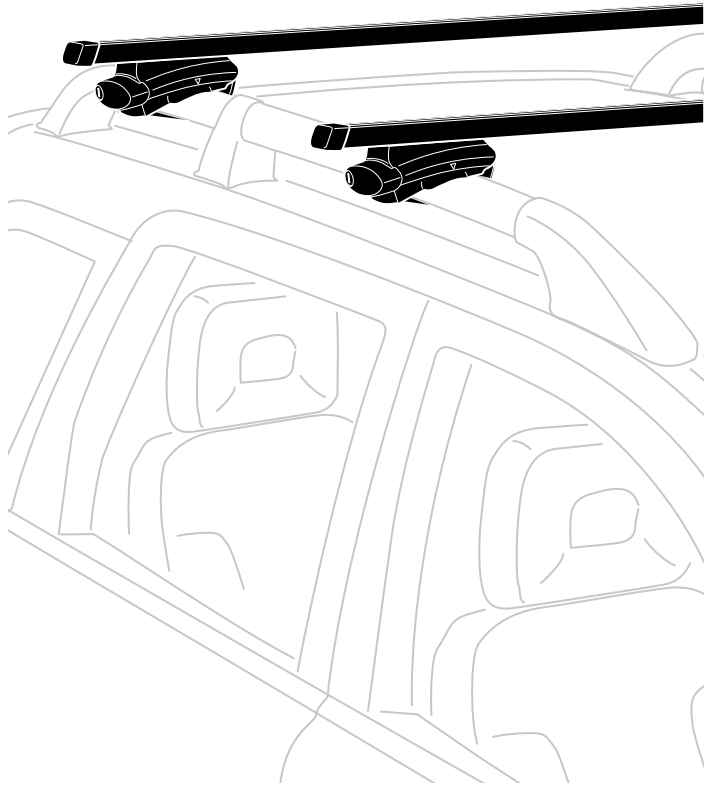


instructions

Rapid System 775

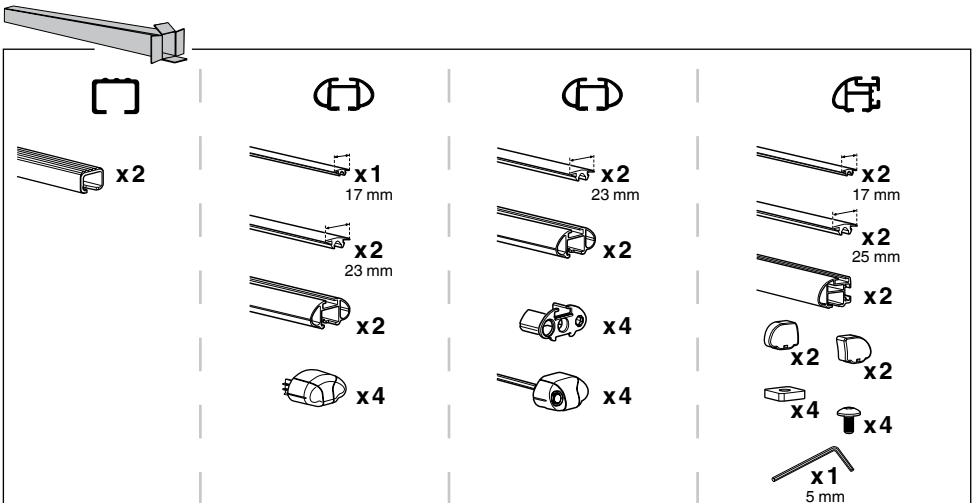
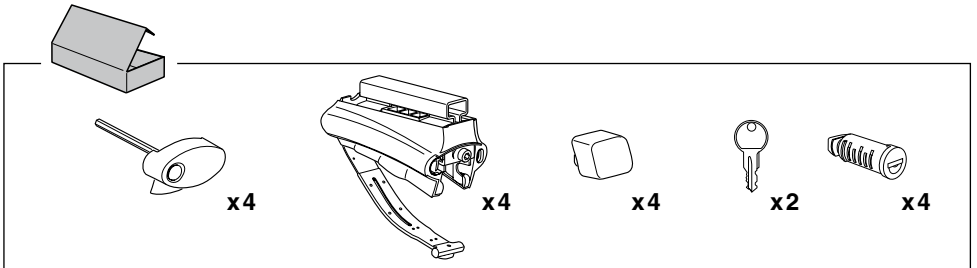
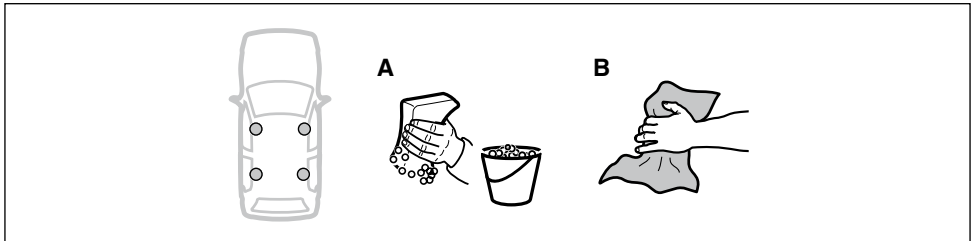
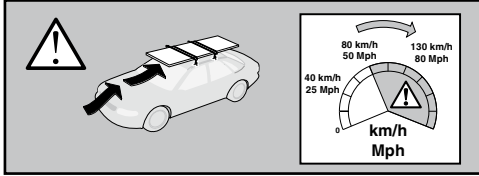
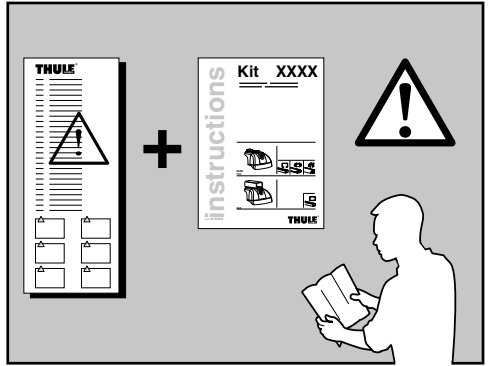
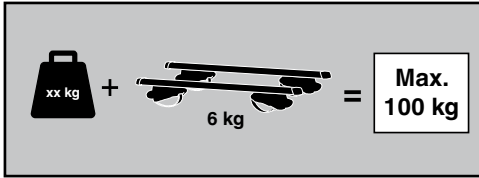


775000

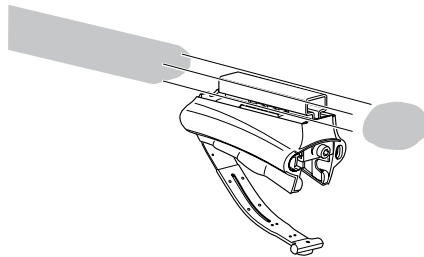
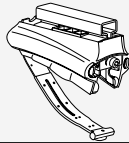


ISO 11154-E

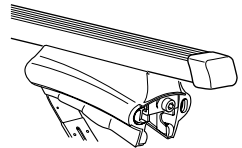
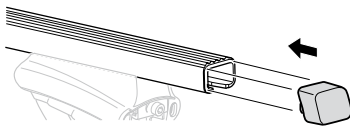
THULE[®]
SWEDEN



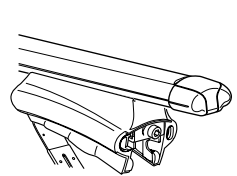
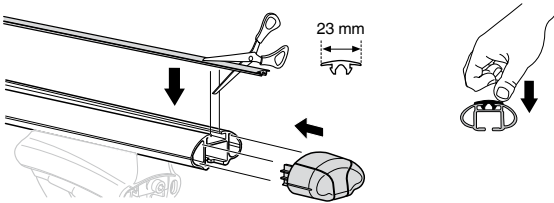
1



x4

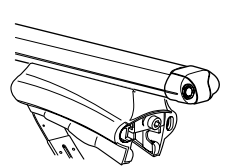
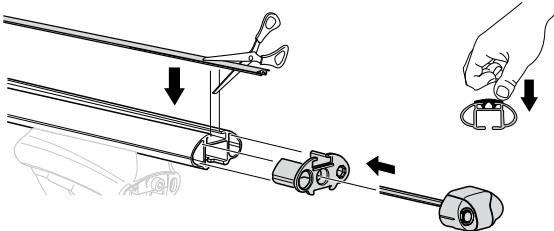


x4



x4

x4



x2

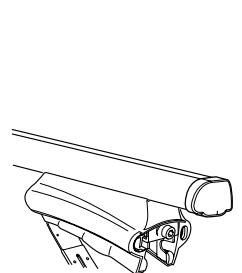
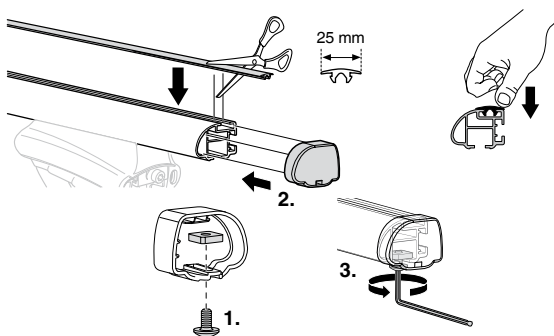
x2

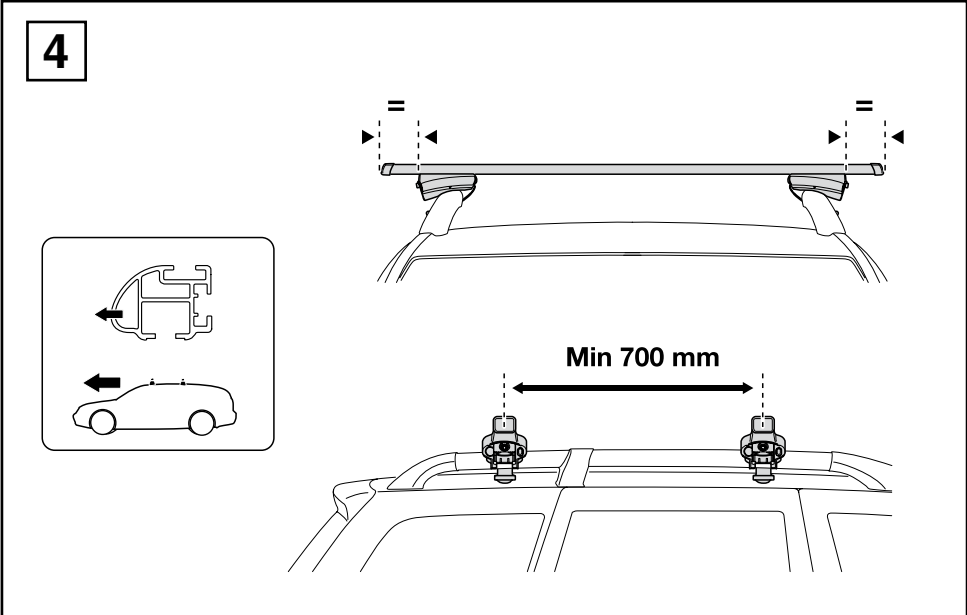
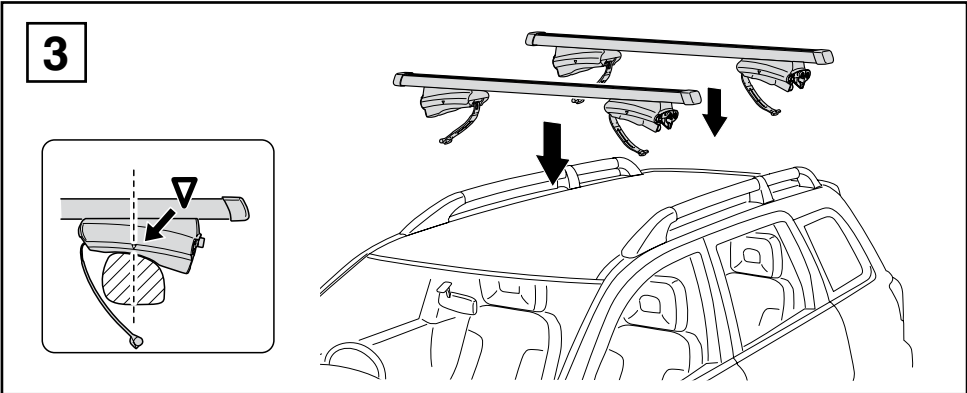
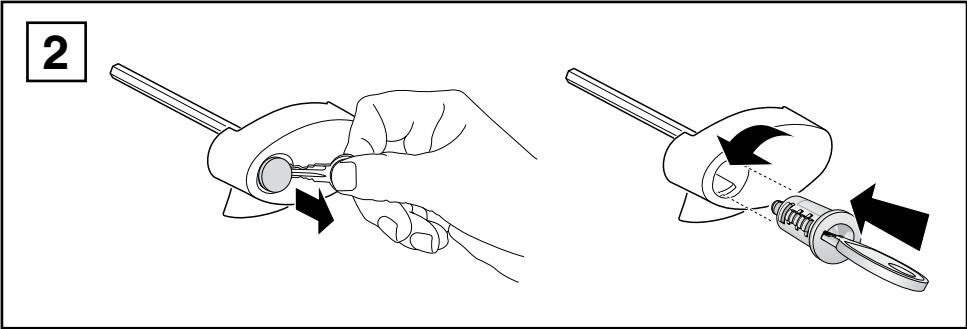
x4

x4

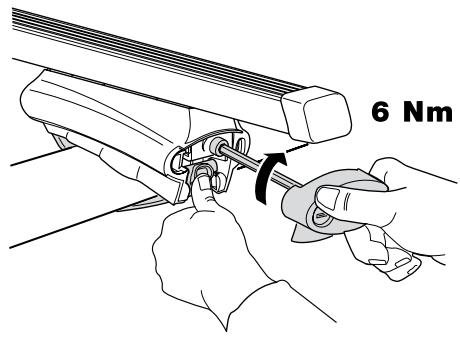
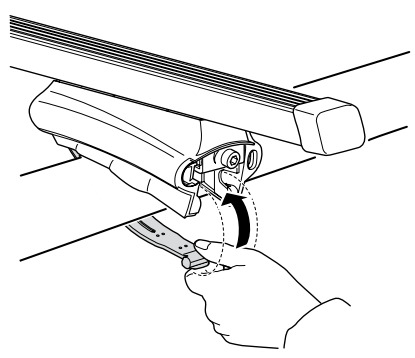
x1

5 mm

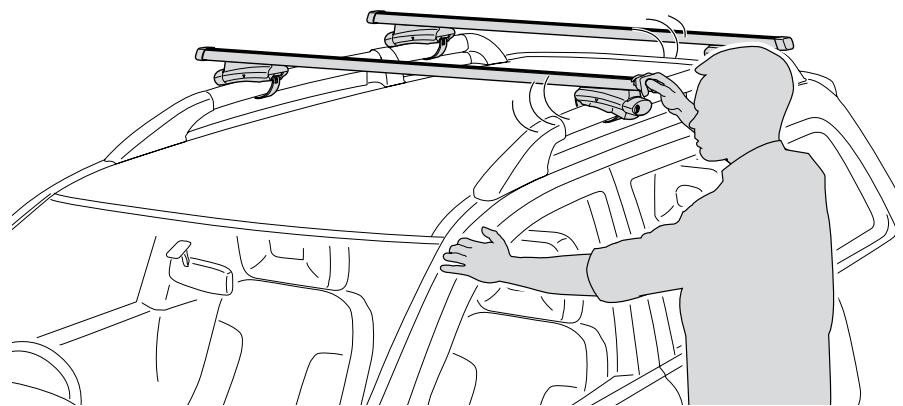
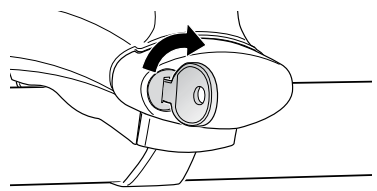
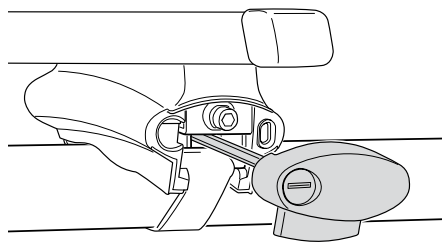


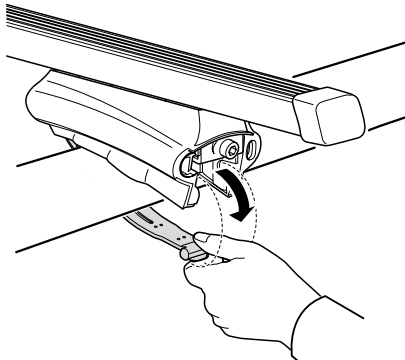
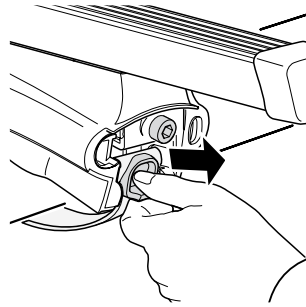
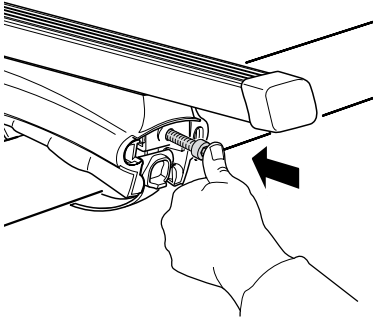
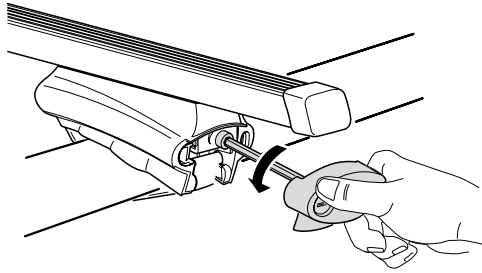
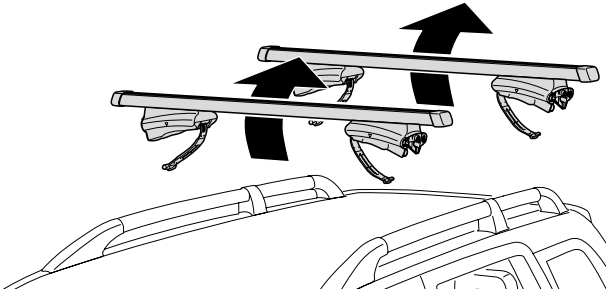


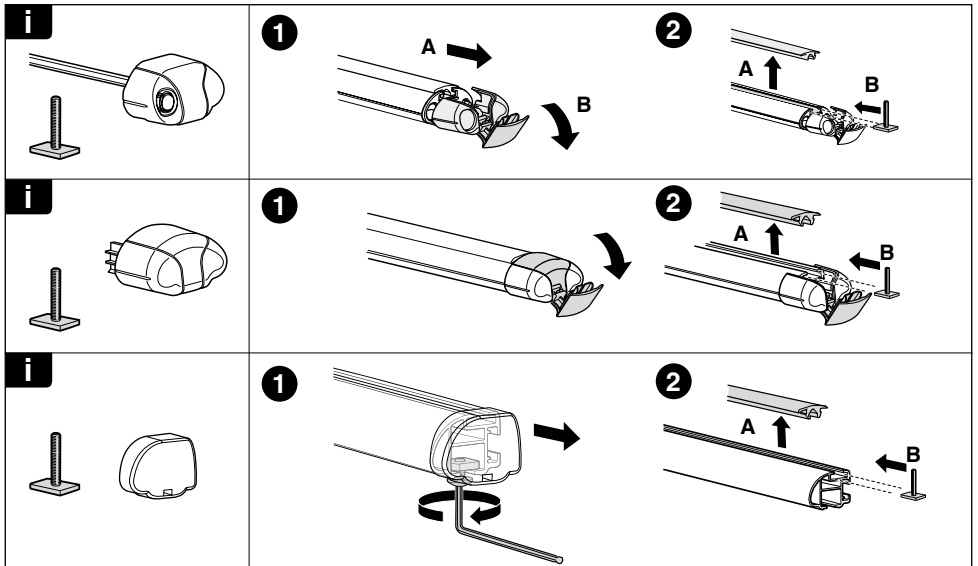
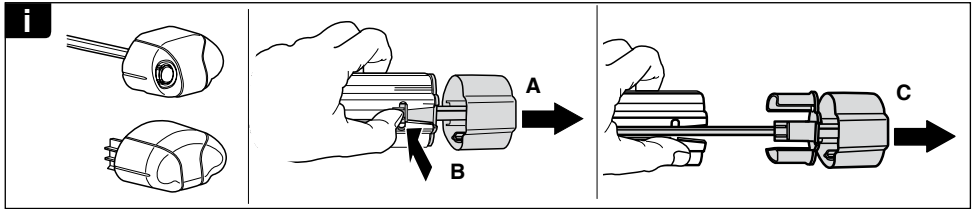
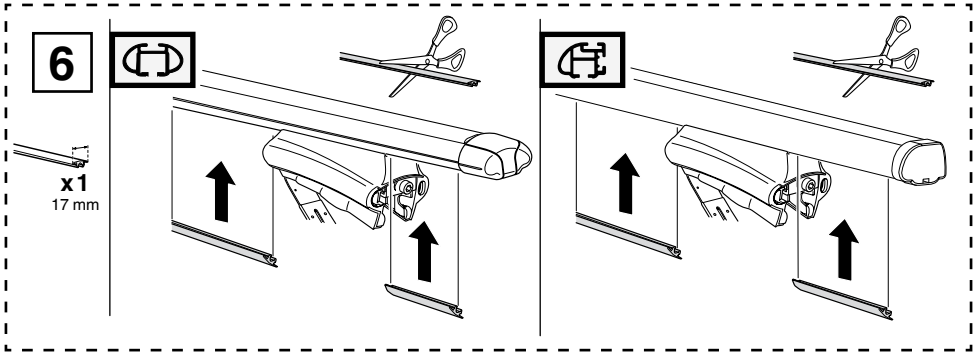
5



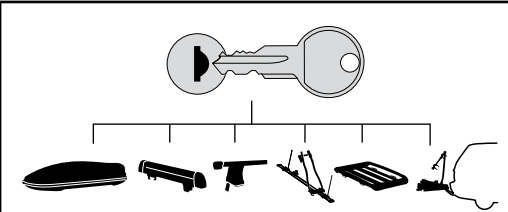
6 Nm







THULE
SWEDEN
**ONE
KEY
SYSTEM**



- 544**  (x4)
- 596**  (x6)
- 588**  (x8)
- 452**  (x12)