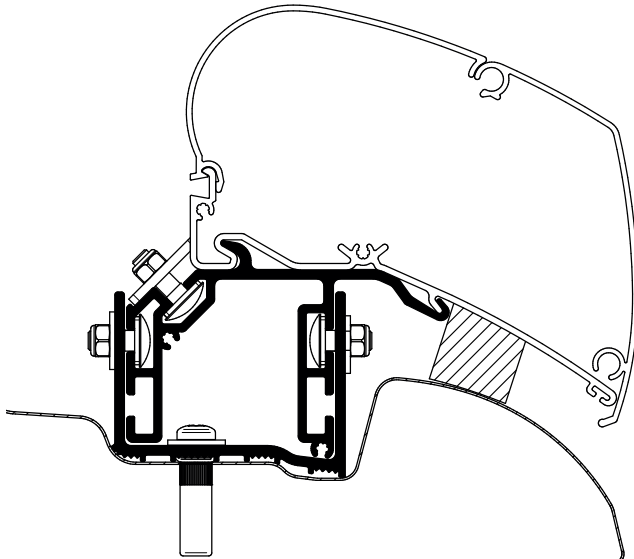


INSTALLATION

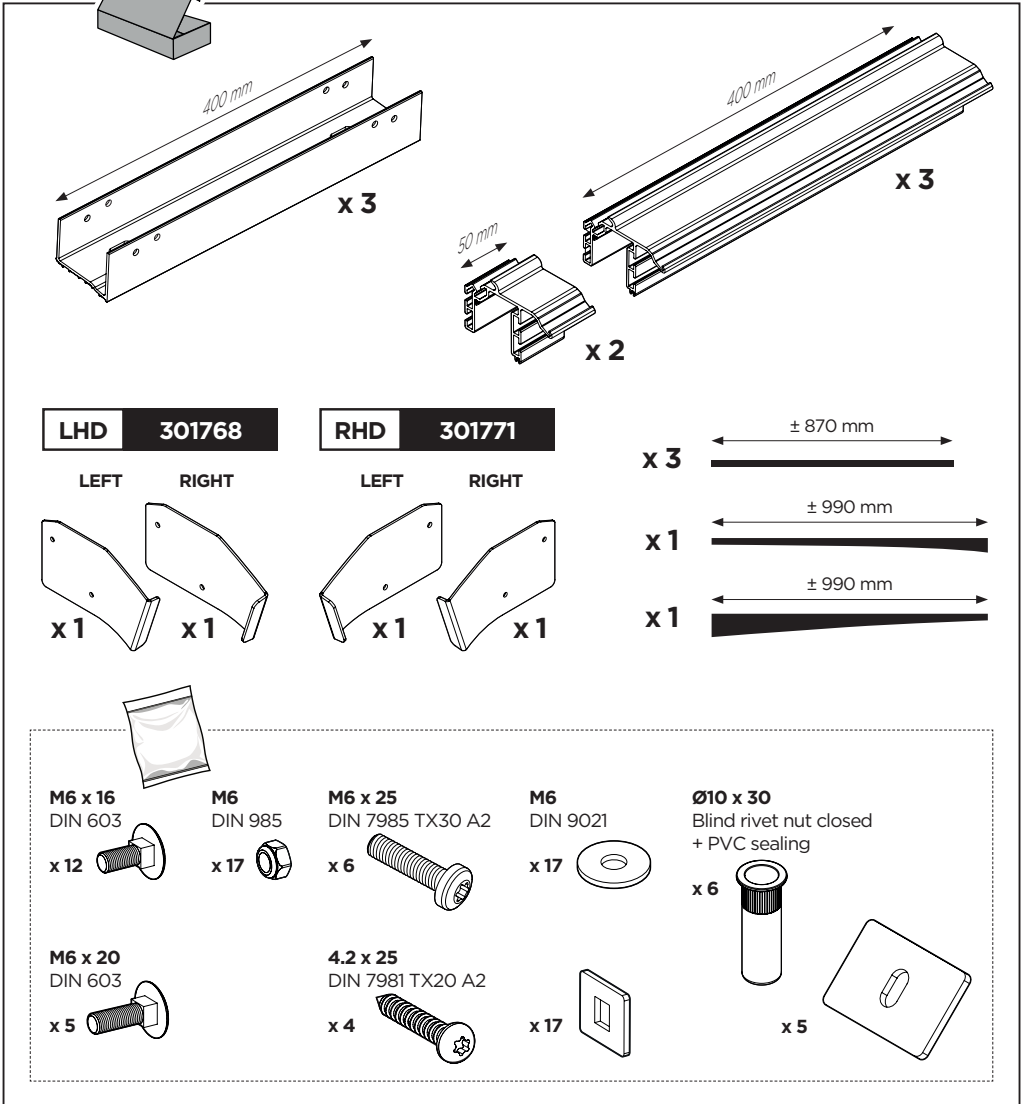
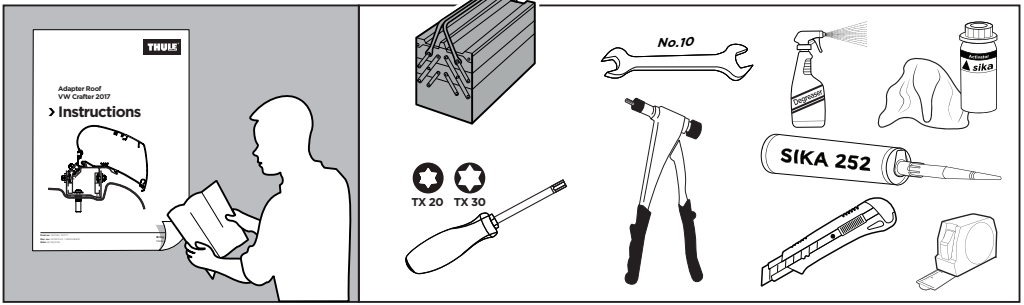
# ➤ Instructions

## Thule Adapter Roof VW Crafter 2017

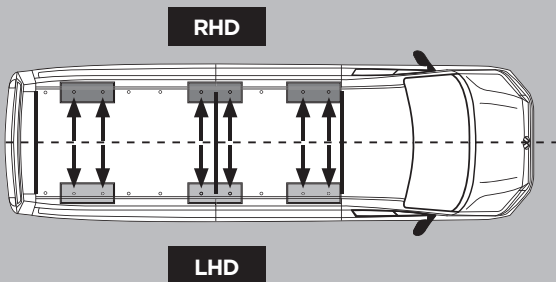
301768, 301771





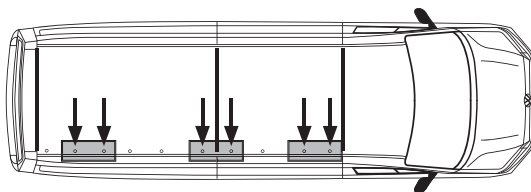
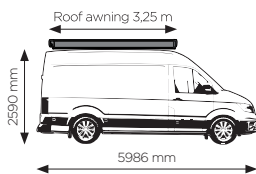


**i** RIGHT HAND DRIVE (RHD) is **MIRROR** of LEFT HAND DRIVE (LHD)



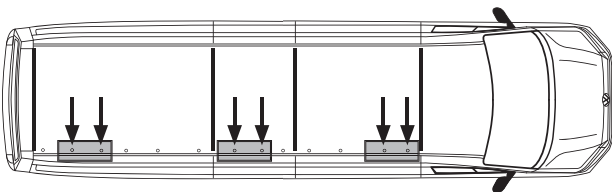
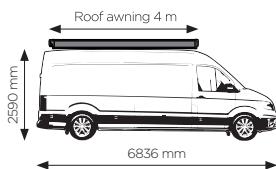
**!** IN THIS MANUAL **LEFT HAND DRIVE (LHD)** IS SHOWN BY **DEFAULT**

### L3H3



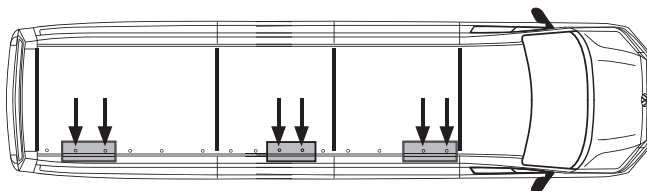
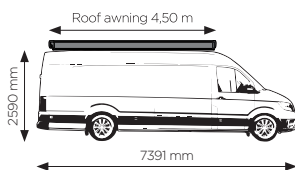
use **6/10** roof fixation points

### L4H3

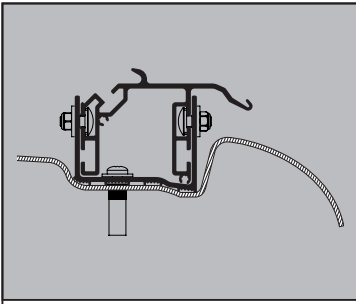


use **6/13** roof fixation points

### L5H3



use **6/15** roof fixation points



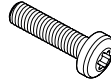
**M6 x 16**  
DIN 603

x 12



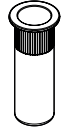
**M6 x 25**  
DIN 7985 TX30 A2

x 6



**9.91 x 30**  
Blind rivet nut closed  
+ PVC sealing

x 6



**M6**  
DIN 985

x 12

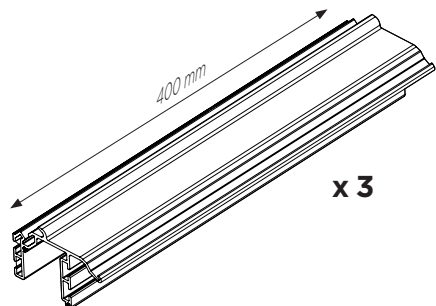
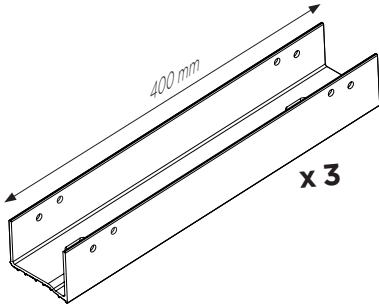


**M6**  
DIN 9021

x 18

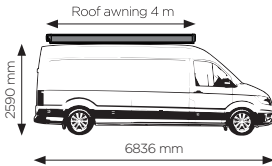


x 12

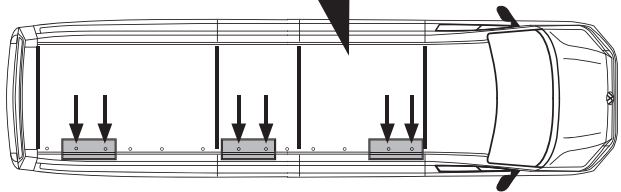


**1** Remove protection of the 6 adapter fixation points

**L4H3**

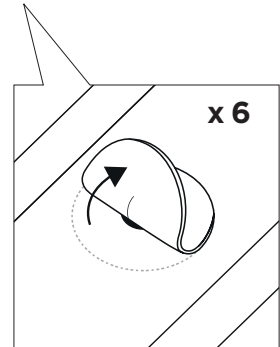
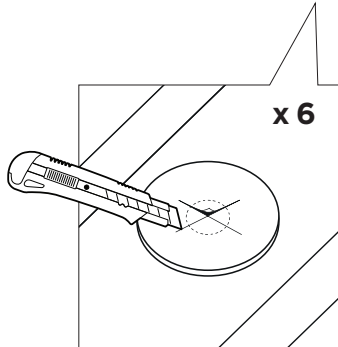


**⚠ RHD IS MIRROR OF LHD**

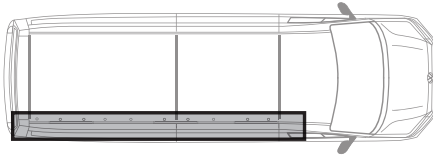


**L3H3** p3

**L5H3** p3

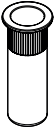


## 2 Degrease the roof

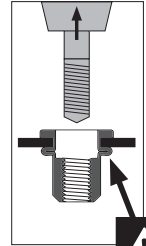
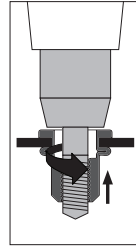
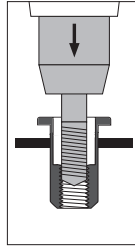
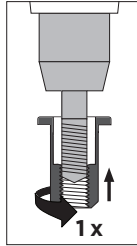


## 3 Assemble the blind rivet nuts

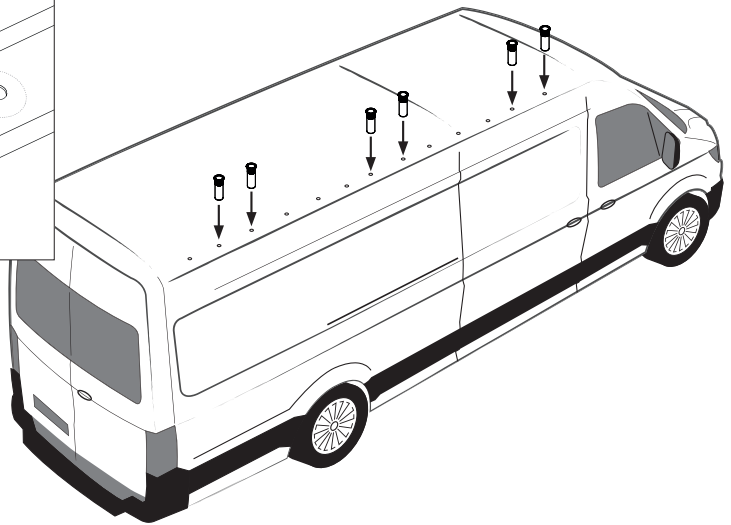
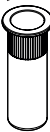
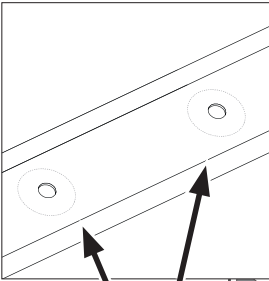
**⚠ RHD IS MIRROR OF LHD**



x 6



x 3





### Glue / Lijmen / Verklebung:

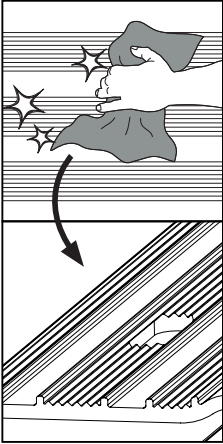
Thule recommends / beveelt aan / empfiehlt: **SIKA 252 or Terostat MS937**

Primern und Abdichtung nach Anweisung des Dichtmittelherstellers.  
Voorbehandeling en afdichting volgens de voorschriften van de lijmfabrikant.  
Preparation and sealing according to the prescripts of the glue supplier.

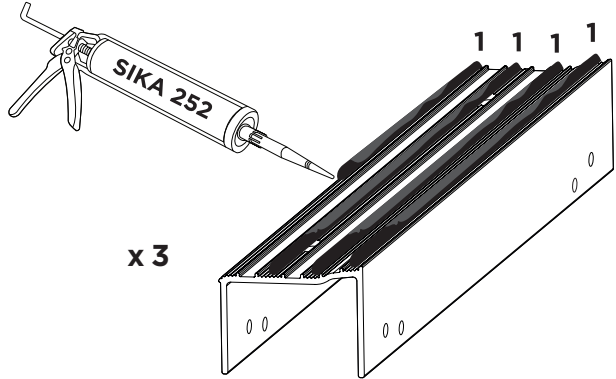


## 4 Gluing

A



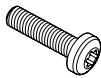
B



## 5 Mounting the base on the roof

M6 x 25  
DIN 7985 TX30 A2

x 6

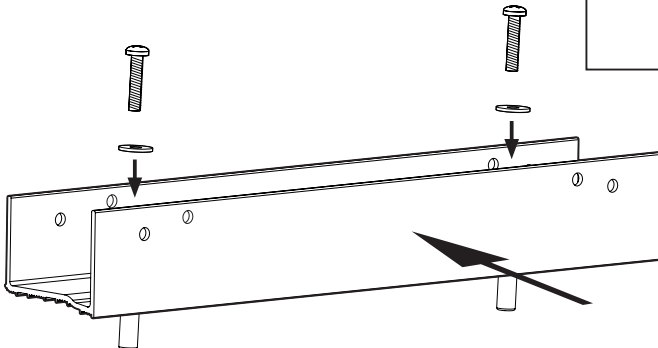
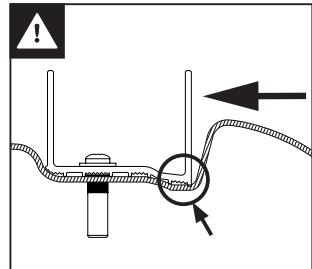


M6  
DIN 9021

x 6



RHD IS MIRROR OF LHD



# 6 Mounting the adapter

**⚠ RHD IS MIRROR OF LHD**

M6 x 16  
DIN 603

x 12



M6  
DIN 985

x 12

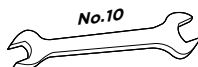


M6  
DIN 9021

x 12



x 12

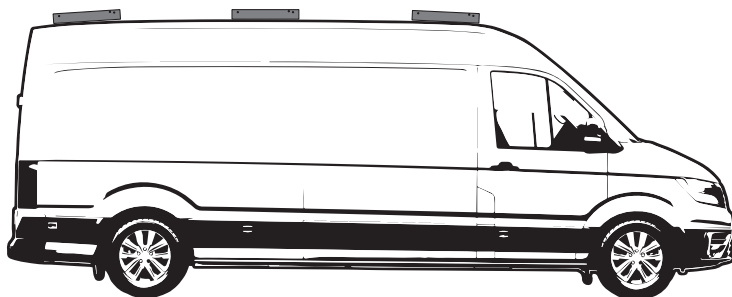
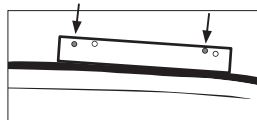
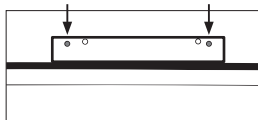
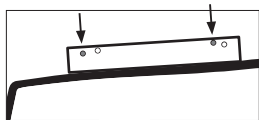


**A**

**BACK**

**MID**

**FRONT**

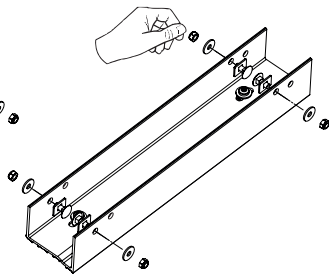
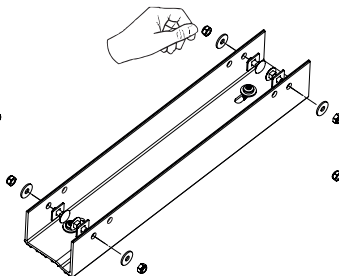
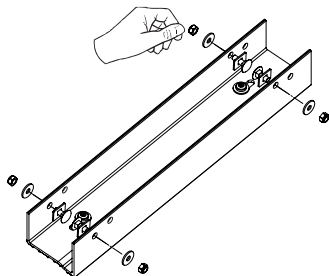


**B**

**BACK**

**MID**

**FRONT**



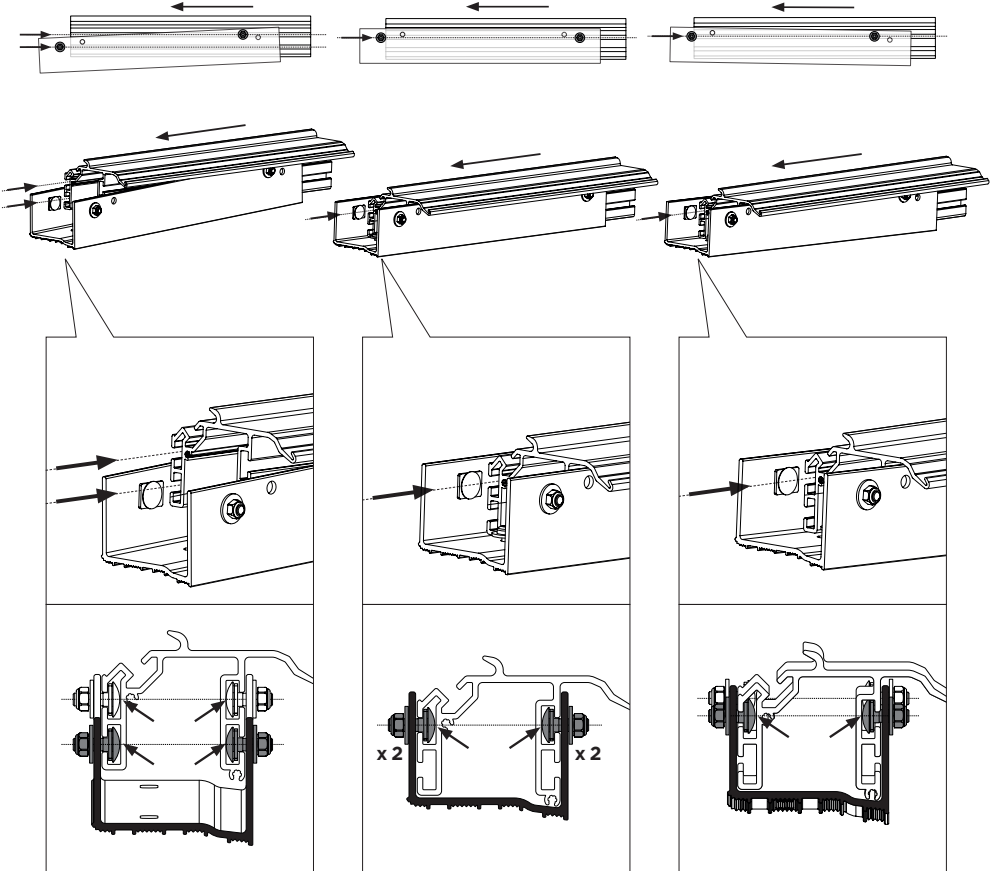


**C**

**BACK**

**MID**

**FRONT**

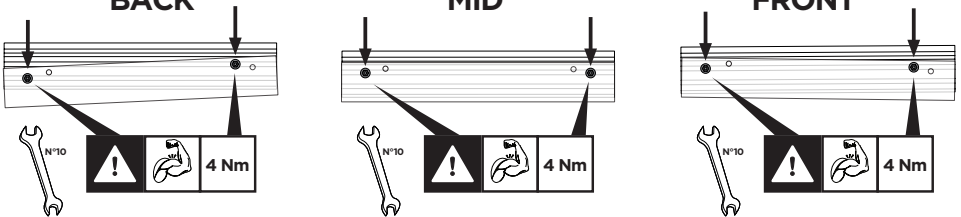


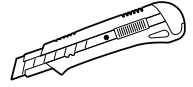
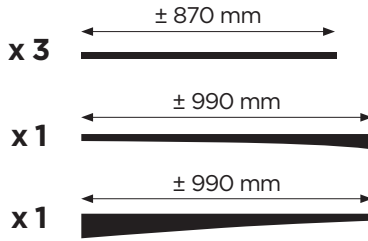
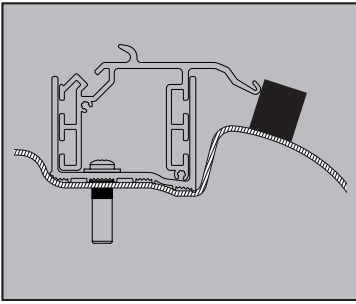
**D**

**BACK**

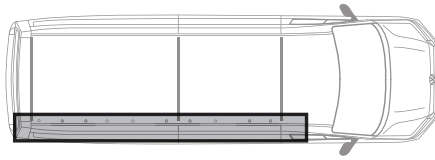
**MID**

**FRONT**





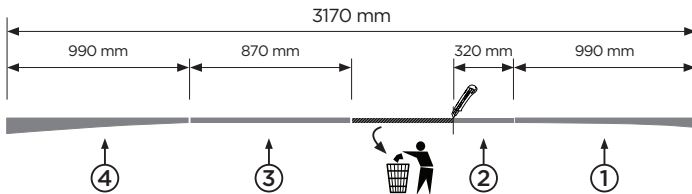
## 1 Degrease the roof



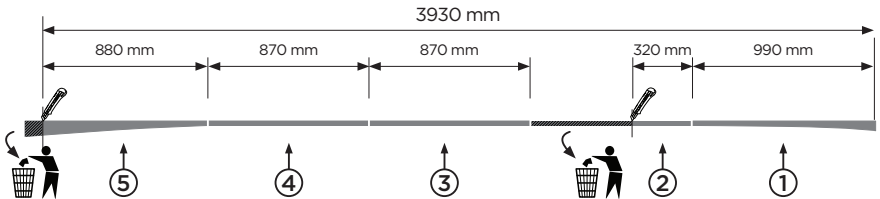
## 2 Cut the EPDM

**⚠ RHD IS MIRROR OF LHD**

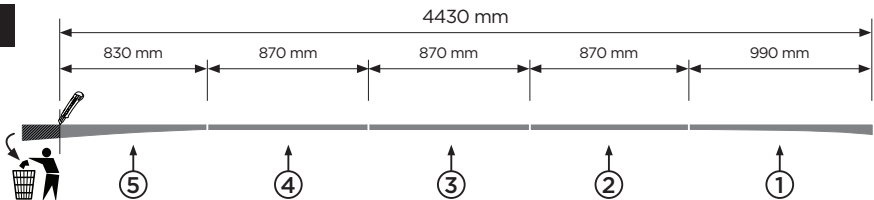
**L3H3**



**L4H3**

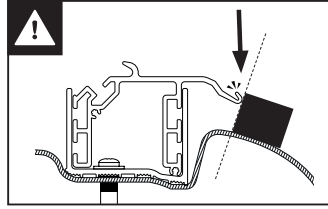
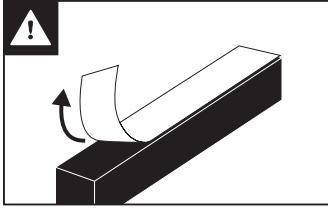


**L5H3**

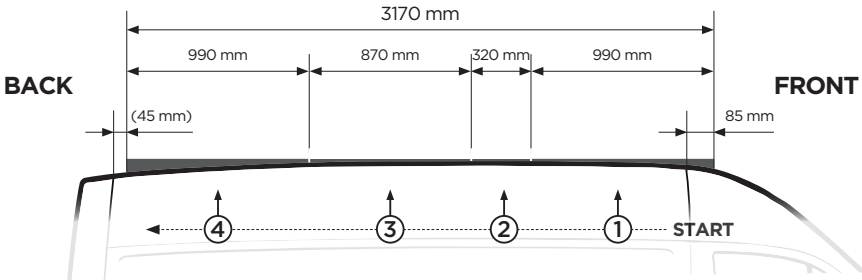


### 3 Applying the EPDM

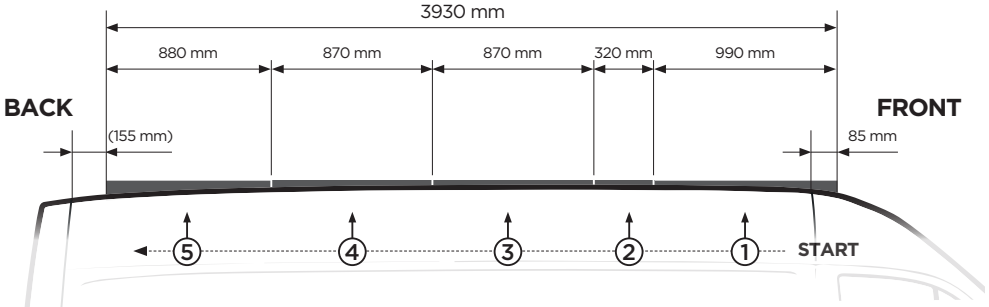
**!** RHD IS MIRROR OF LHD



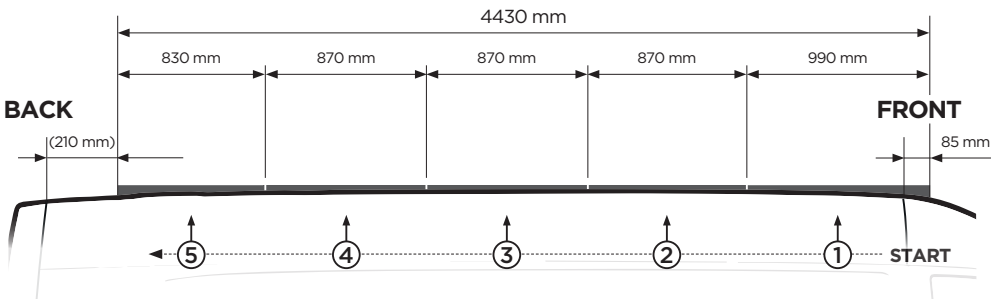
#### L3H3

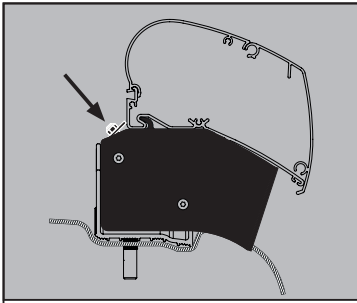


#### L4H3



#### L5H3





**LHD**

**LEFT**



**RIGHT**



**RHD**

**LEFT**



**RIGHT**



x 5



x 5

**4.2 x 25**  
DIN 7981 TX20 A2

x 4



**M6 x 20**  
DIN 603

x 5

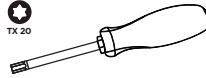


**M6**  
DIN 985

x 5



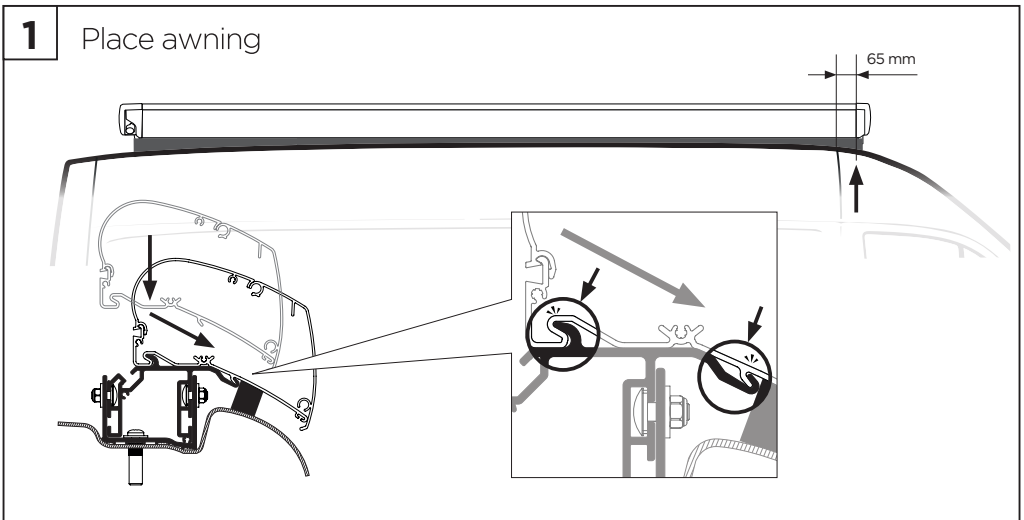
TX 20



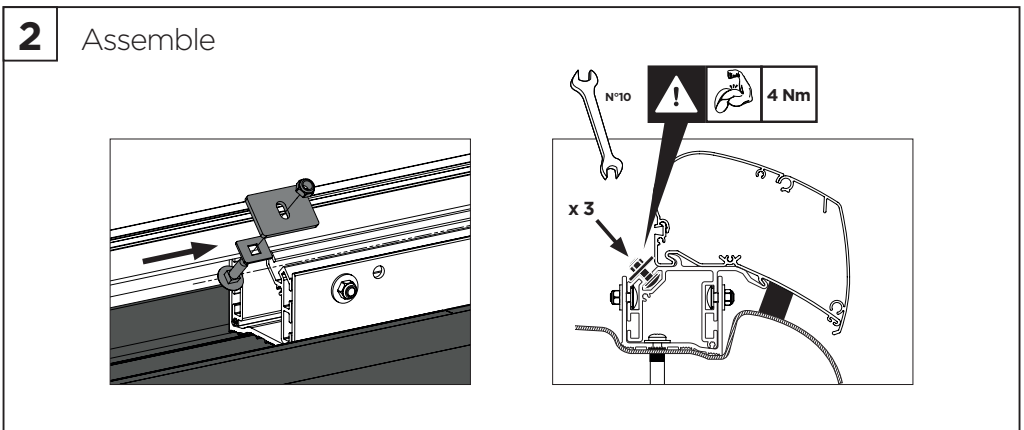
No.10



**1** Place awning

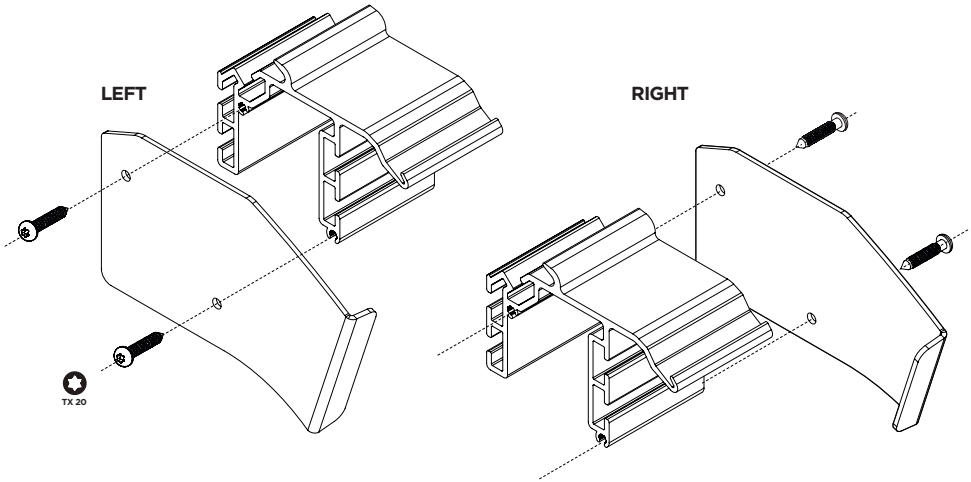


**2** Assemble



### 3 Prepare sealing covers (left and right)

**⚠ RHD IS MIRROR OF LHD**



### 4 Assemble

**⚠ RHD IS MIRROR OF LHD**

