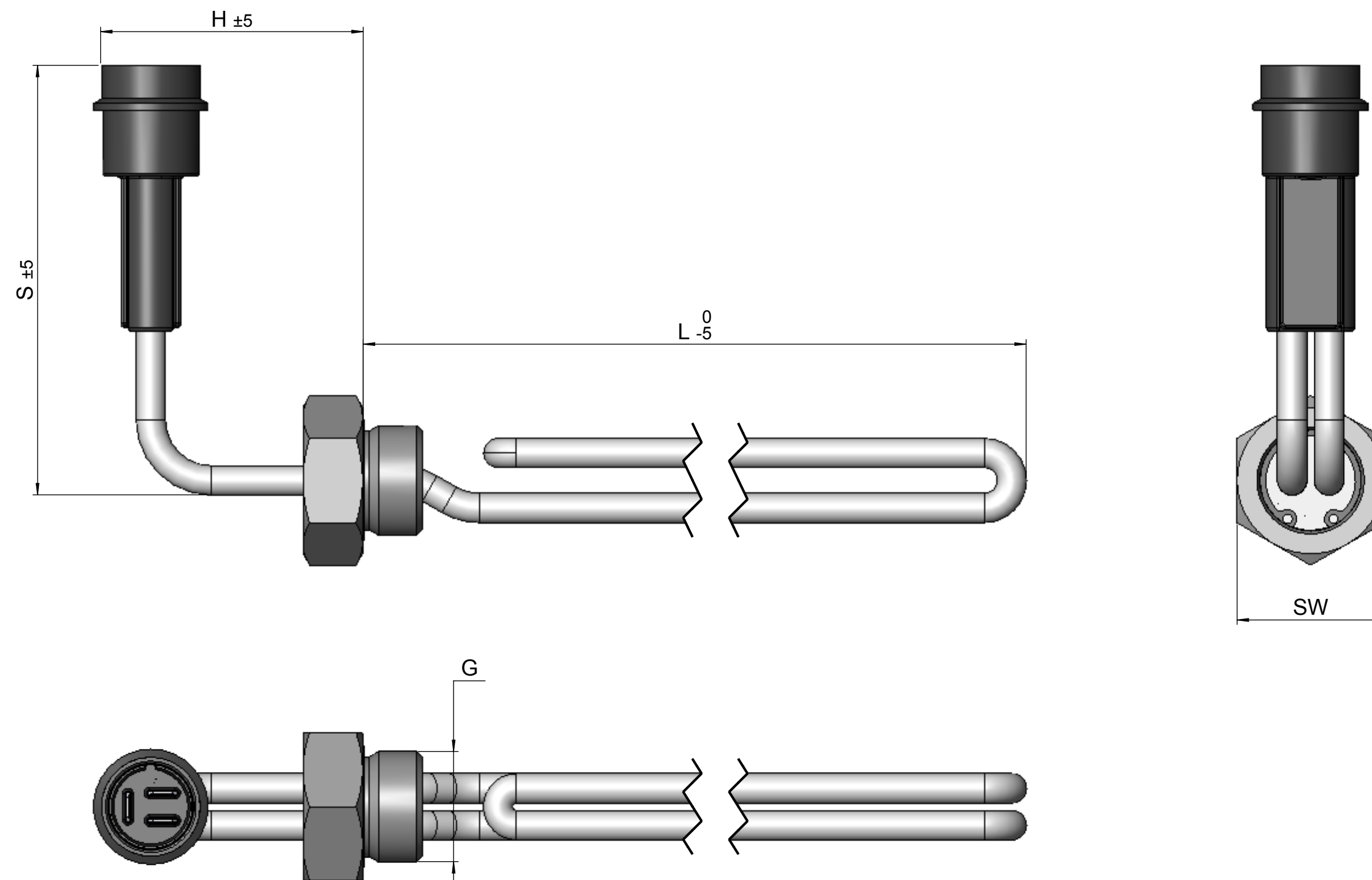


CHANGE ORDER	REV	CHANGE DESCRIPTION	DATE	SIGN
	S1		2013-09-05	MG



Oil heater	Part No.	G (Thread)	SW	L	H	S	Voltage	Power	Recommended power for temp. rise of 20°K in 6h
MO 540	1824000	M24x1,5	32	139	57	93	230V	150W	3,5W/L
MO 607	1830700	1 3/16" -12UN-2A	1 3/8" (35)	139	57	93	230V	150W	3,5W/L
MO 618	1831800	M26x1,5	32	120	61	108	230V	150W	3,5W/L
MO 649	1834900	M22x1,5	27	138	45	94	230V	150W	3,5W/L
MO 652	1835200	M48x1,5	46	190	51		230V	350W	3,5W/L
MO 660	1836000	M24x1,5	32	345	57	94	230V	400W	3,5W/L
MO 678	1837800	M33x2	41	345	57	94	230V	400W	3,5W/L
UO 540	1824001	M24x1,5	32	139	57	93	110-120V	150W	3,5W/L
UO 649	1834901	M22x1,5	27	138	45	94	110-120V	150W	3,5W/L
UO 660	1836001	M24x1,5	32	345	57	94	110-120V	400W	3,5W/L
UO 678	1837801	M33x2	41	345	57	94	110-120V	400W	3,5W/L

NB: The copyright and ownership of this drawing including associated computer data are and will remain ours. They must not be copied, used or brought to the knowledge of any third party without our prior permission.
 © CALIX Automotive AB, Sweden

PROJECTION ⊕	SCALE 1:1	DATE 2013-09-05	DESIGNED MG	APPROVED BY MG	ISSUED DATE 2013-09-05	TECHNICAL REG.
GENERAL TOLERANCES ACC. TO SS-ISO 2768-1 TOLERANCE CLASS m		GENERAL GEOMETRICAL TOL. ACC. TO SS-ISO 2768-2 TOLERANCE CLASS L		SURFACE ROUGHNESS	BURRS NOT PERMITTED	
DESCRIPTION Översiktstabell Oljevärmare				Calix AB		
DRAWING NR. XXXXXXXXXX				REV. S1		