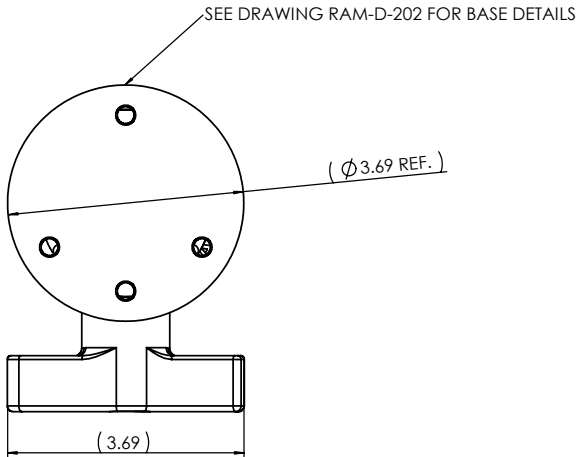
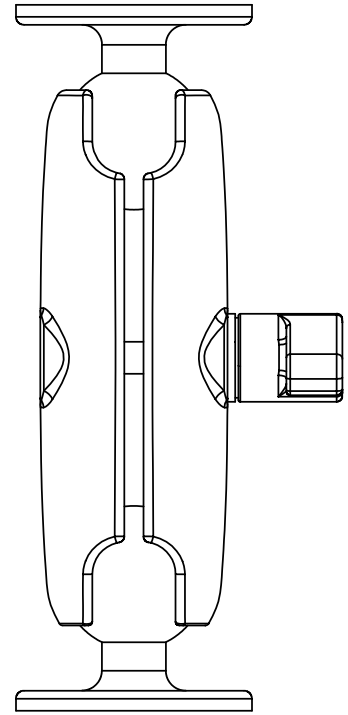
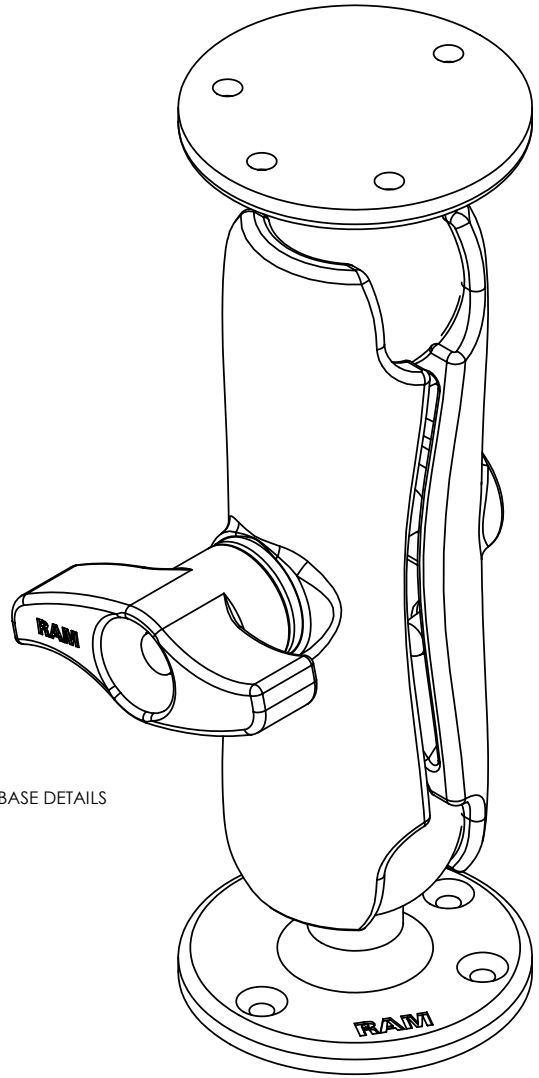
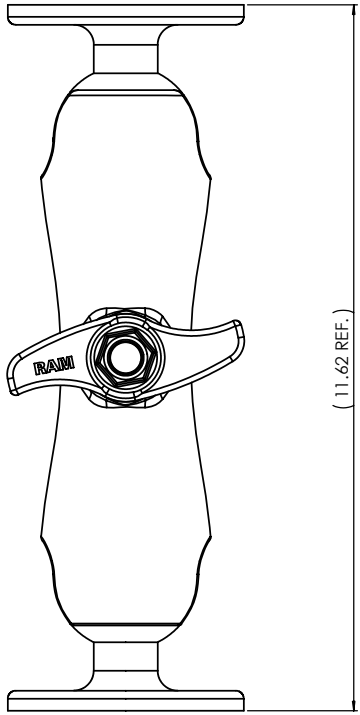


THE INFORMATION CONTAINED IN THIS DRAWING IS THE SOLE PROPERTY OF NATIONAL PRODUCTS INC. ANY REPRODUCTION IN PART OR WHOLE WITHOUT THE WRITTEN PERMISSION OF NATIONAL PRODUCTS INC. IS PROHIBITED.

REV.	DESCRIPTION	REVISIONS	DATE	APPROVED



UNLESS OTHERWISE SPECIFIED DIMENSIONS ARE IN INCHES TOLERANCES ARE: FRACTIONS DECIMALS ANGLES +/- 1/32 .XXX+ .06 +/- 1 DEG. .XXX+ .030	C-AD GENERATED DRAWING. DO NOT MANUALLY UPDATE		NATIONAL PRODUCTS INC.	
	APPROVALS	DATE	RAM MOUNT WITH 3.68" DIA. BASES AND 2 1/4" DIA. RUBBER BALLS	
MATERIAL	ALUMINUM	DRAWN	JDC 01/19/01	REV.
FRESH	BLACK POWDER COAT	CHECKED	CMR 04/20/01	SCALE 1 TO 1
DO NOT SCALE DRAWING	QUAL ENG	RESP ENG		CAD FILE: RAM(D10)
				SHEET 1 OF 1