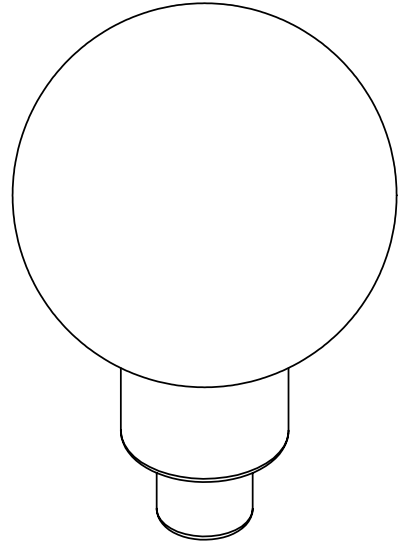
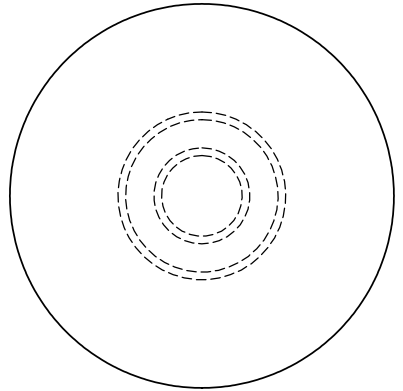
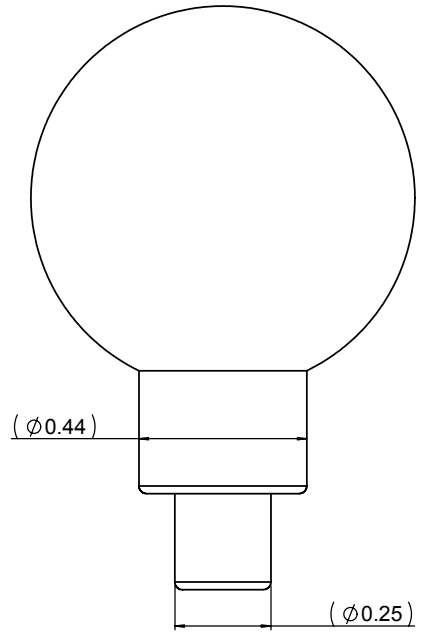
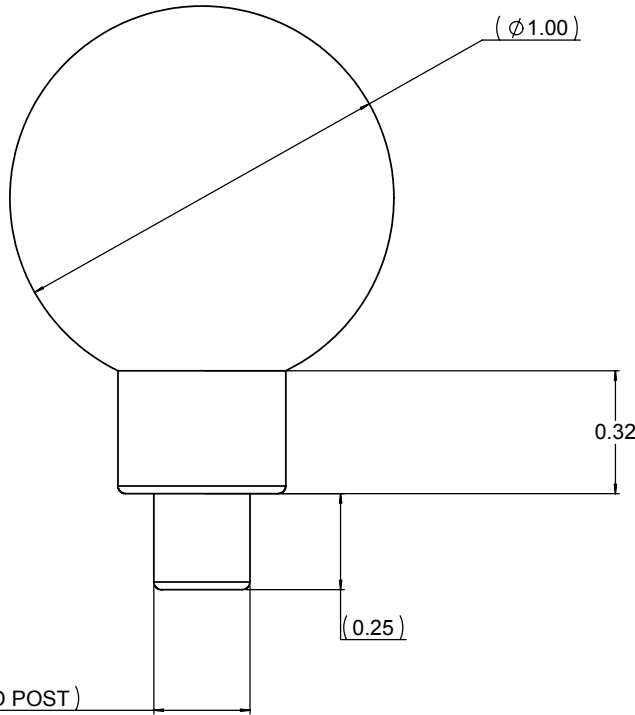


THE INFORMATION CONTAINED IN THIS DRAWING IS THE SOLE PROPERTY OF NATIONAL PRODUCTS INC. ANY REPRODUCTION IN PART OR WHOLE WITHOUT THE WRITTEN PERMISSION OF NATIONAL PRODUCTS INC. IS PROHIBITED.

REVISIONS		DATE	APPROVED
REV.	DESCRIPTION		



UNLESS OTHERWISE SPECIFIED DIMENSIONS ARE IN INCHES TOLERANCES ARE: FRACTIONS: DECIMALS ANGLES +/- 1/32 .XX+-.03 +/- 1 DEG. .XXX+-.010	CAD GENERATED DRAWING. DO NOT MANUALLY UPDATE	NATIONAL PRODUCTS INC.	
MATERIAL: ALUMINUM	APPROVALS: DRAWN: JDC 03/19/01 CHECKED: CMR 04/20/01 RESP ENG:	RAM BASE WITH 1/4"-20 THREADED POST AND 1" DIA. RUBBER BALL	
FINISH: PLAIN	QUAL ENG:	SIZE: SWG. NO.: C	REV.:
DO NOT SCALE DRAWING	SCALE: 1 TO 1	CAD FILE: RAMB237	SHEET 1 OF 1