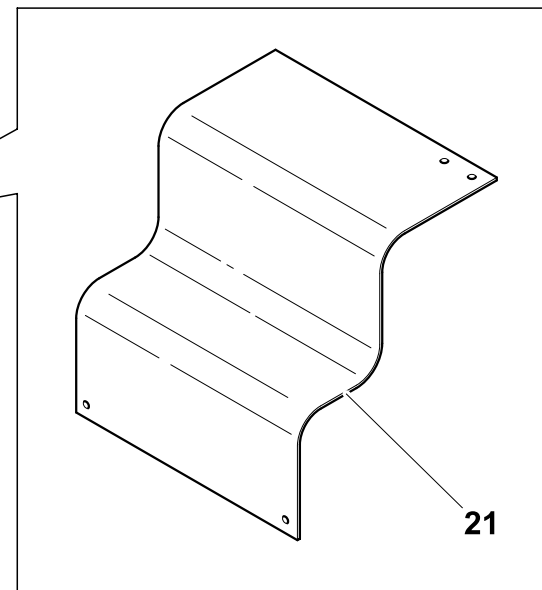
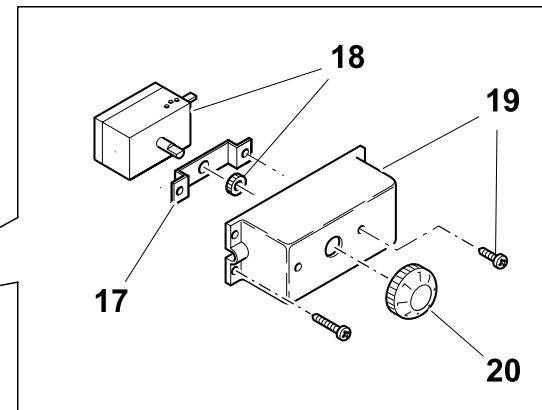
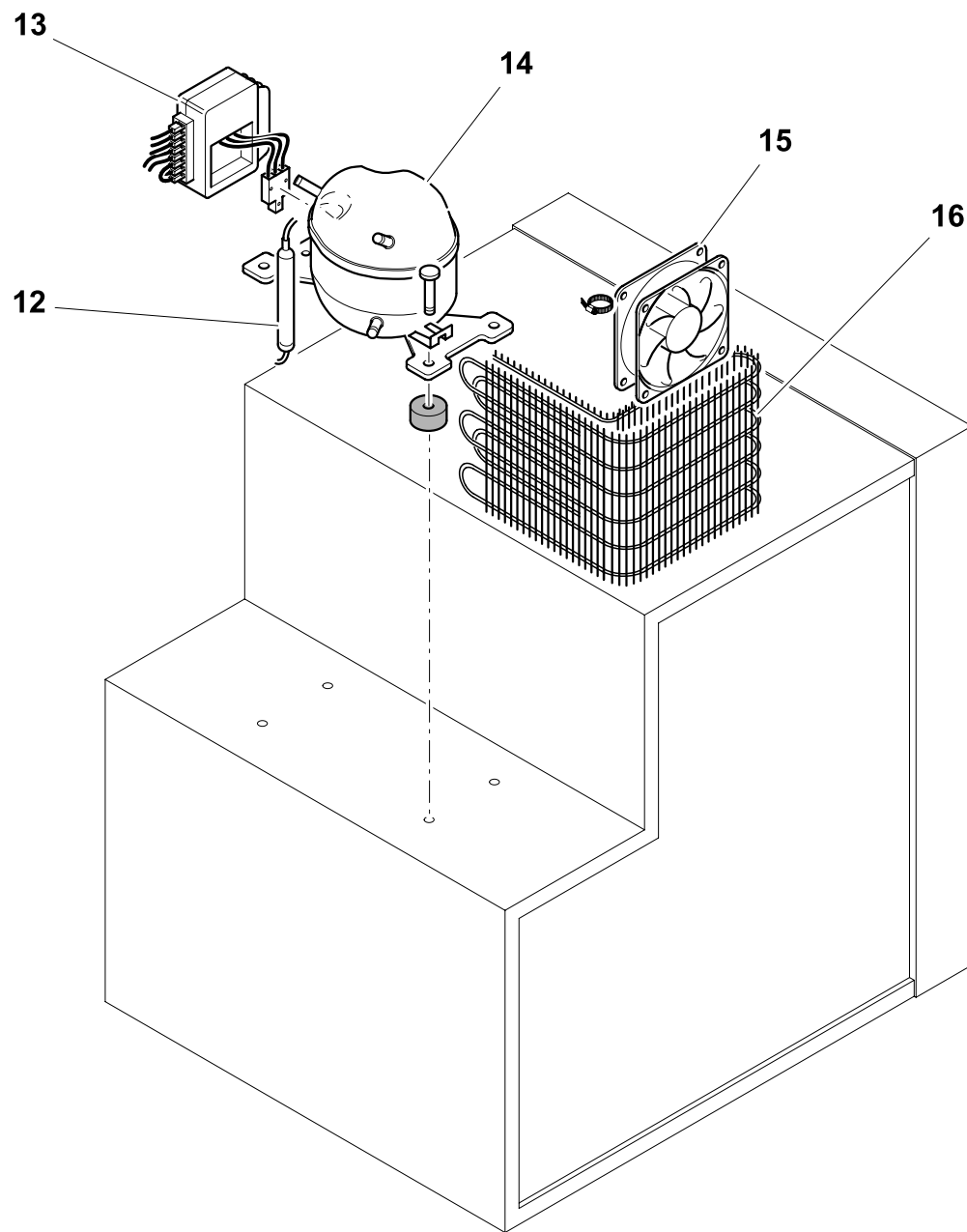


CR 65 FREEZER INOX - CABINET



CR 65 FREEZER INOX - COOLING UNIT

NUMERO	CODICE ARTICOLO	DESCRIZIONE ARTICOLO
NUMBER	ITEM CODE	ITEM DESCRIPTION

1	SAA00048AA	GHIACCIAIA CR65 FREEZER CABINET CR65 FREEZER
2	SBE00021AA	CERNIERA INOX CR42/50/65/80/120L HINGE INOX FOR CR42-50-65-80-120L
3	SGB00080AA	FLANGIA FM 3 LATI CR65 FREEZER INOX 3-SIDE F.M. INOX CR65 FREEZER INOX
4 - 5	SGC00009AA	GRIGLIA INTERNA CR65/CR65 FREEZER INTERNAL SHELF CR65/CR65 FREEZER
6	SGC00141AA	PORTA INOX CR65 DX FREEZER INOX DOOR CR65 FREEZER RIGHT HINGE
6	SGC00114AA	PORTA INOX CR65 SX FREEZER INOX DOOR CR65 FREEZER LEFT HINGE
7	SGD00012AA	MANIGLIA INOX "CRUISE INOX" INOX HANDLE/LOCKER FOR "CRUISE INOX"
8	SGC00155AA	CASSETTO CR65 FREEZER DRAWER BIN CR65 FREEZER
9	SGC00022AA	CUBETTIERA ICE CUBE
10	SGB00036AA	SOSTEGNO INOX CONTROPORTA CR42/50/65/80/120L INOX SUPPORT FOR CRUISE DOOR CR42/50/65/80/120L
11	SDF00010AA	PIEDINI CRUISE RUBBER FOOT CRUISE/TB26
12	SBD00073AA	FILTRO 10g PER CR FILTER 10Gr FOR R134a B041 TUBE 6+2mm (CRUISE/DANFOSS)
13	SEG00002DA	CENTRALINA DANFOSS BD35/50F 12/24V ELECTRICAL UNIT DANF. 101N0210 BD35/50F 12/24V
13	SEG00030GA	CENTRALINA DANFOSS BD35/50F AC/DC 12/24V DC 110/220V AC ELECT. UNIT DANFOSS BD35F/50FAC/DC 12/24V-115/230V
14	SBA00002DA	COMPRESSORE DANFOSS BD35F DANFOSS COMPRESSOR BD35F 12/24V NO ELECTRICAL UNIT
15	SBG00005BA	VENTOLA CABLATA 12V LOW SPEED FAN 12V LOW SPEED FOR COMPACT AND CRUISE
16	SBD00028AA	CONDENSATORE A FILO AIR CONDENSER PIN TYPE WITH BRACKET
17	SEA00021AA	STAFFA FISSAGGIO TERMOSTATO THERMOSTAT PROBE ALUMINIUM FIXING BRACKET
18	SEA00103AA	TERMOSTATO CR63F/CR65FCR90F FREEZER THERMOSTAT CR63F/CR65F/CR90F FREEZER
19	SEA00012AA	SCATOLA PVC BIANCA TERMOSTATO FREEZER WHITE THERMOSTATE HOUSE FOR FREEZER THERMOSTAT
20		
21		