

# 48U

## 4013

Peugeot Expert, Citroen Jumpy Md. 2016  
Peugeot Traveller Md. 2019  
Opel Vivaro Md.2020

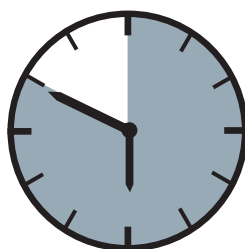
EU-Personenschutzbügel 60 mm mit Querrohr 42 mm  
EU-Pedestrian Protection Bar 60 mm with cross pipe 42mm  
Protection avant, homologuée CEE, 60 mm, traverse 42mm



\*Compatible with Automatic Cruise Control /Forward Collision Mitigation  
Kompatibel mit Abstandsregeltempomat /Auffahrvermeidungs-oder warnsystem  
compatible avec radar de régulation de distance/ freinage autonome d'urgence

# ASSEMBLY INSTRUCTION

## Montageanleitung • Instructions de montage



50 Minuten

article no.:  
18U4013 (S) inox  
18U5013 black steel

Revision 6: 12.02.2020



M6 (A2):  
8,8 Nm  
M8 (A2):  
21,4 Nm  
M8:  
25 Nm



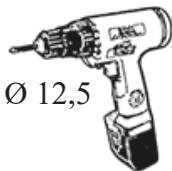
13



4



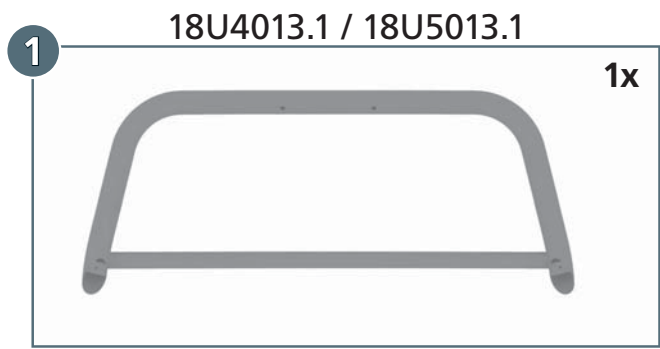
Ø 12,5



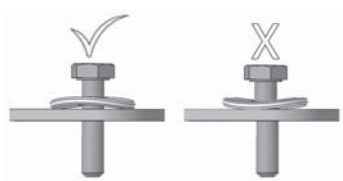
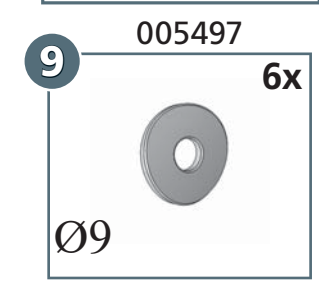
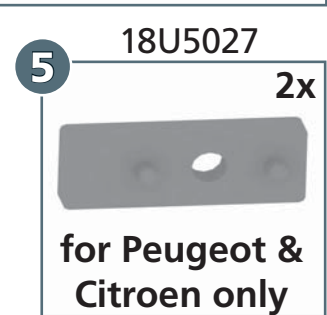
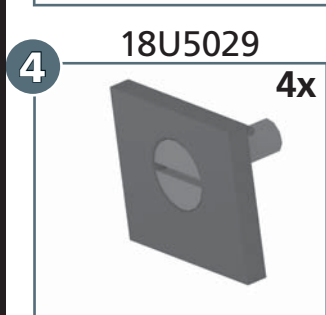
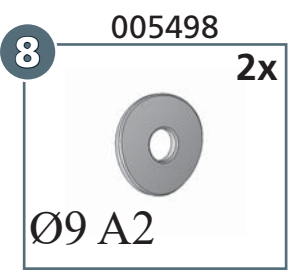
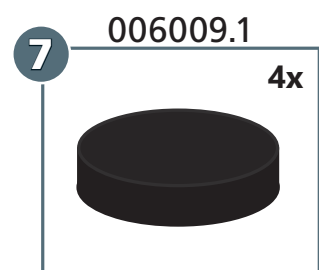
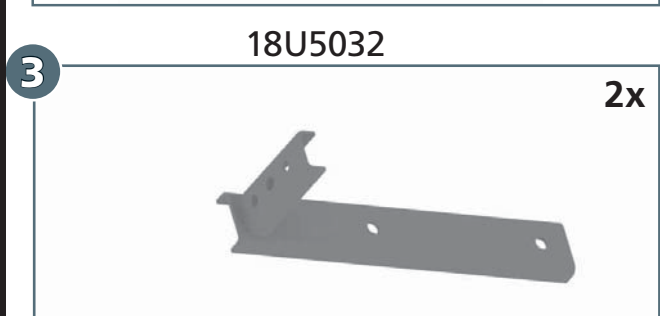
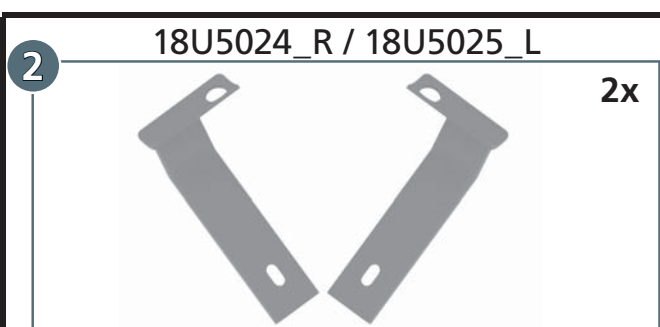
M6:  
2Nm



mounting kit: 18U9013



	M6x25; DIN 7991 A2	2x
	M8x25; DIN 933 A2	2x
	M8x30; DIN 933 Zn	2x
	M8; DIN 934 Zn	4x
	Getowell M6	2x
	SW 13	2x
	M6x25; DIN 7991 Zn	2x



article no.:  
18U4013 (S) inox  
18U5013 black steel

Revision 6: 12.02.2020



