

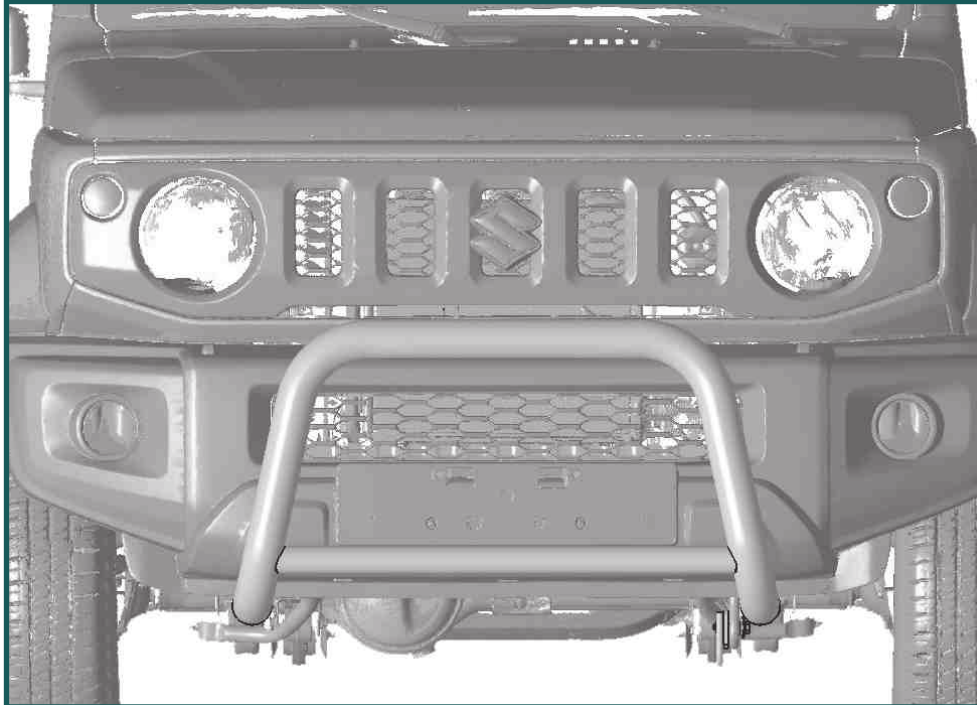
**19R**  
**4013**

## Suzuki Jimny, Modell 2018

EU-pedestrian protection bar 60 mm with cross pipe 42 mm

EU-Personenschutzbügel 60 mm mit integriertem Querrohr 42 mm

Protection avant, homologuée CEE, 60 mm, traverse 42 mm



# ASSEMBLY INSTRUCTION

Montageanleitung • Instructions de montage



**45 Minuten**

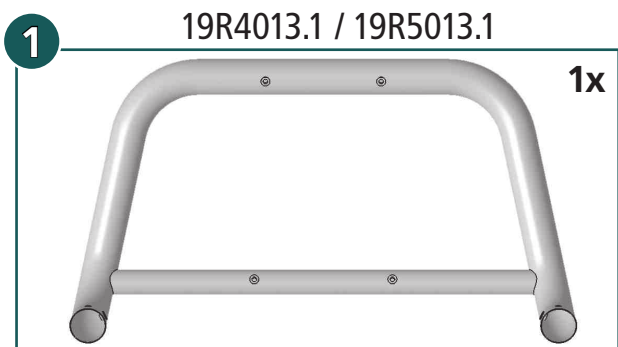
article no.:

19R4013 (S) inox

19R5013 black steel

**Revision 2: 17.07.2019**





M6:  
10 Nm  
M8 (A2):  
21,4 Nm  
M10:  
50 Nm



10  
13  
17



mounting kit: 19R9013

<p><b>2</b> 19R5076 R / 19R5077 L <b>2x</b></p>	<p><b>11</b> 005495 <b>2x</b></p> <p>Ø6,6</p>	<p><b>12</b> 005493 <b>2x</b></p> <p>Ø11</p>																		
<p><b>3</b> 19R5055_R <b>1x</b></p>	<p><b>4</b> 19R5056_L <b>1x</b></p>	<p><b>13</b> 005498 <b>4x</b></p> <p>Ø9A2</p>																		
<p><b>5</b> 19R5057 <b>1x</b></p>	<p><b>6</b> 19R5058 <b>1x</b></p>																			
<p><b>7</b> 19R5044 <b>1x</b></p> <p><b>M10</b></p>	<p><b>8</b> 19R5052 <b>2x</b></p> <p><b>M6</b></p>	<table border="1"> <tr> <td></td> <td>M6x25; DIN 933 Zn</td> <td>2x</td> </tr> <tr> <td></td> <td>M8x25; DIN 933 A2</td> <td>4x</td> </tr> <tr> <td></td> <td>M10x40; DIN 933 Zn</td> <td>1x</td> </tr> <tr> <td></td> <td>M10x50; DIN 933 Zn</td> <td>1x</td> </tr> <tr> <td></td> <td>M10; DIN 934 Zn</td> <td>1x</td> </tr> <tr> <td></td> <td>Ø10,5; DIN 125 Zn</td> <td>1x</td> </tr> </table>		M6x25; DIN 933 Zn	2x		M8x25; DIN 933 A2	4x		M10x40; DIN 933 Zn	1x		M10x50; DIN 933 Zn	1x		M10; DIN 934 Zn	1x		Ø10,5; DIN 125 Zn	1x
	M6x25; DIN 933 Zn	2x																		
	M8x25; DIN 933 A2	4x																		
	M10x40; DIN 933 Zn	1x																		
	M10x50; DIN 933 Zn	1x																		
	M10; DIN 934 Zn	1x																		
	Ø10,5; DIN 125 Zn	1x																		
<p><b>9</b> 19R5120 <b>1x</b></p>																				

article no.:  
19R4013 (S) inox  
19R5013 black steel

Revision 2: 17.07.2019





