

17W 4123

Mitsubishi L200 DC/CC, Md. 2020

EU-pedestrian protection bar 70 mm with cross pipe 51 mm low

EU-Personenschutzbügel 70 mm mit Querrohr 51 mm niedrig

Protection avant, homologuée CEE, 70 mm, traverse 51 mm faible



ASSEMBLY INSTRUCTION

Montageanleitung • Instructions de montage



50 Minuten

article no.:

17W4123 (S) inox

17W5123 black steel

Revision 1: 13.01.2020

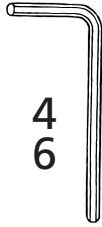
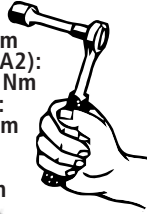




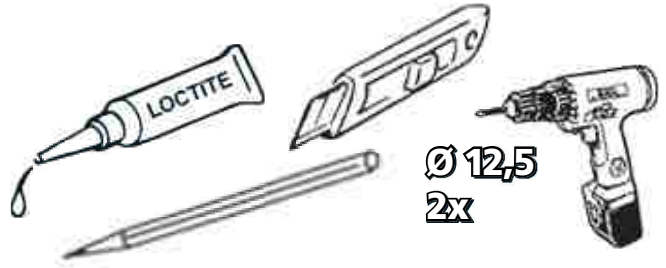
M6:
10 Nm
M8 (A2):
21,4 Nm
M10:
50 Nm



M6:
2 Nm



4
6

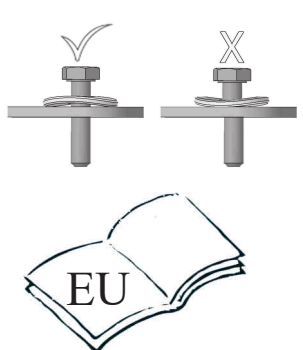
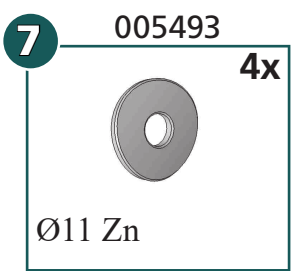
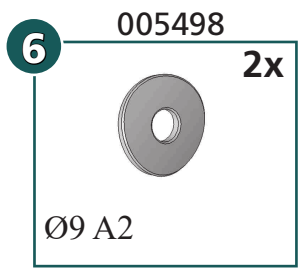
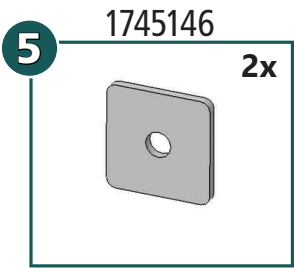
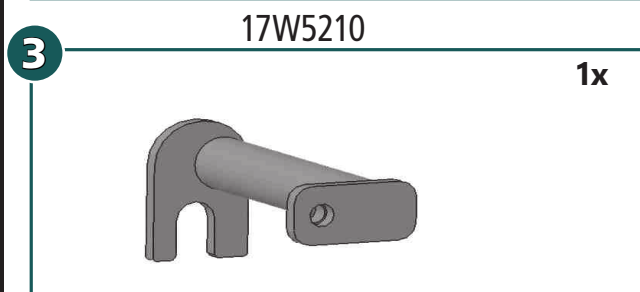
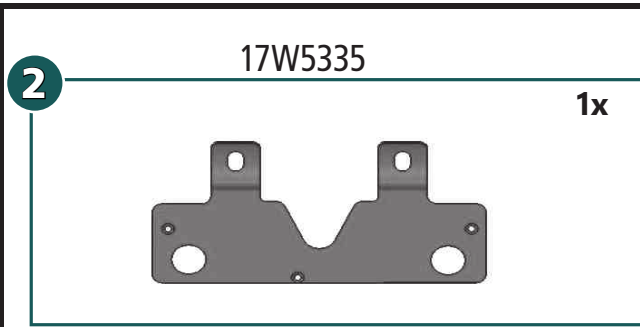


Ø 12,5
2x

mounting kit: 17W9123



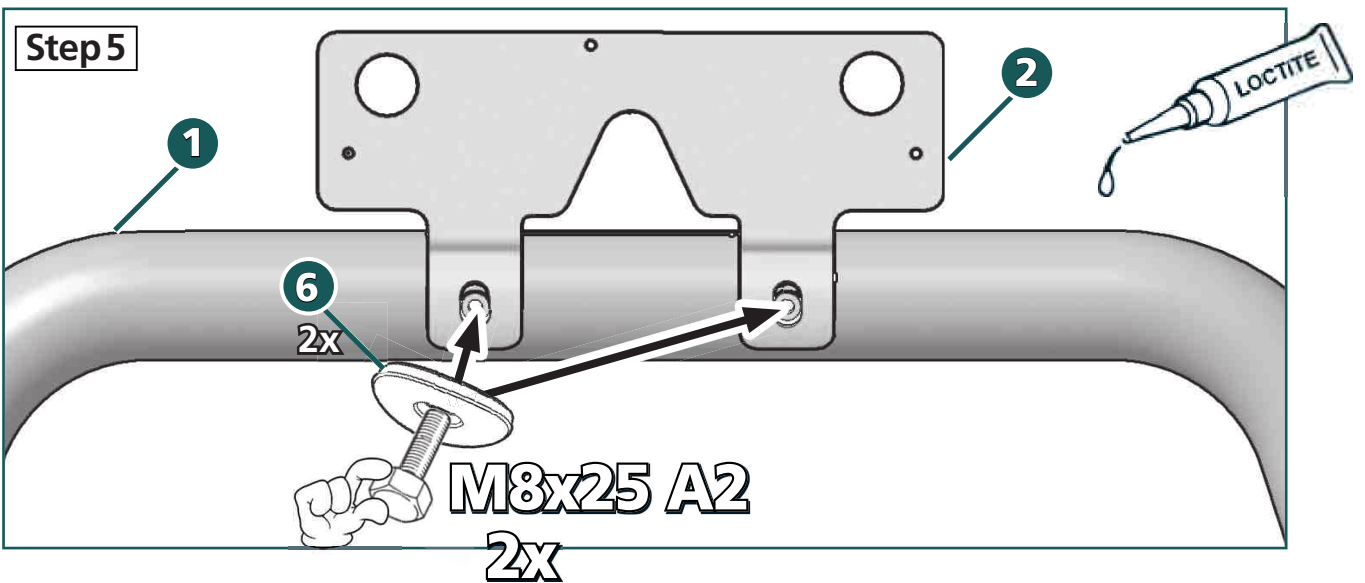
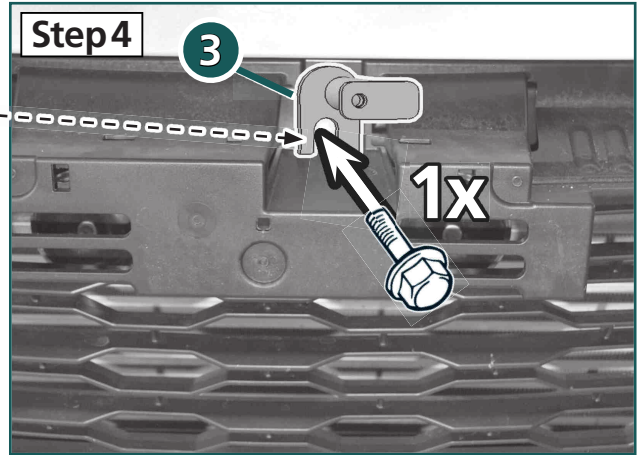
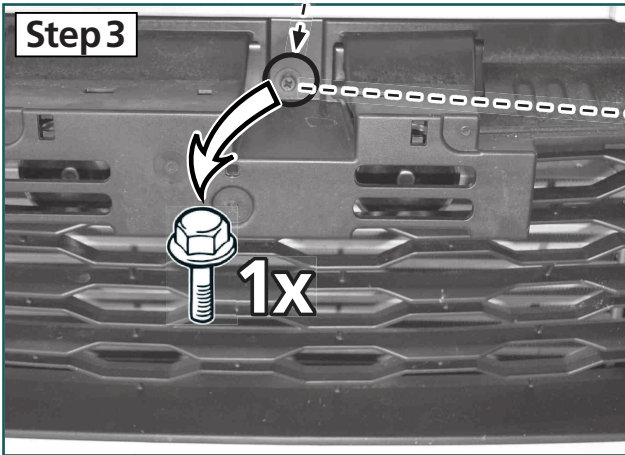
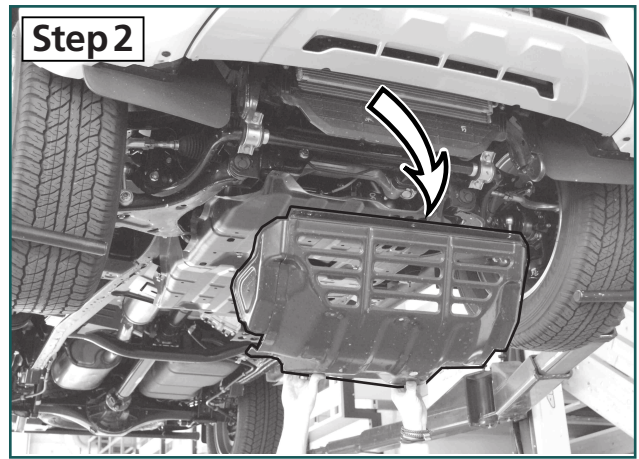
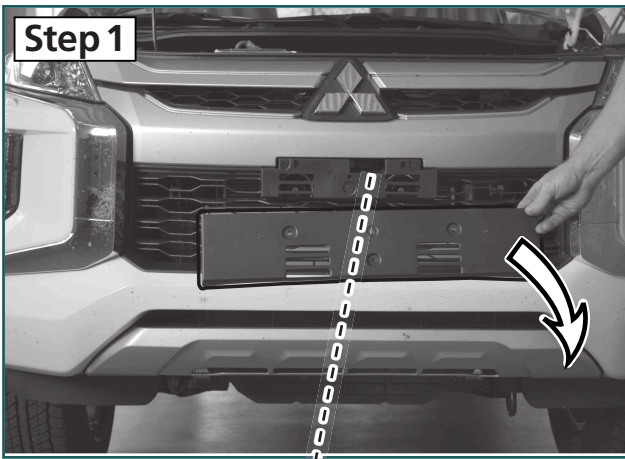
	M6x16; DIN 7991 Zn	1x
	M6x25; DIN 7991 Zn	2x
	M8x20; DIN 912 A2	2x
	M8x25; DIN 933 A2	2x
	M10x100; DIN 933 Zn	2x
	M10; DIN 934 Zn	2x
	Ø 8,4; DIN 125 A2	2x
	Getowell M6	2x

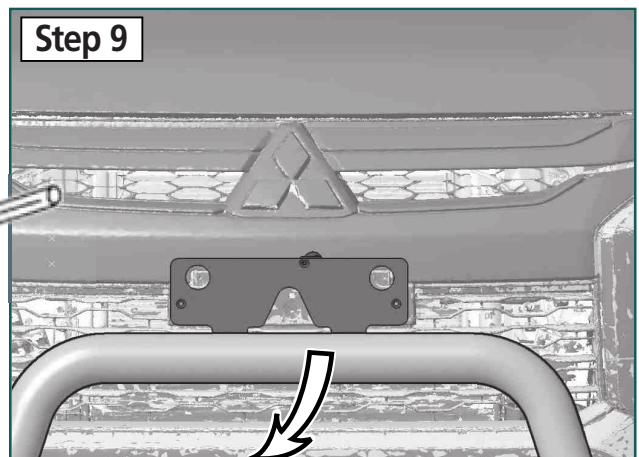
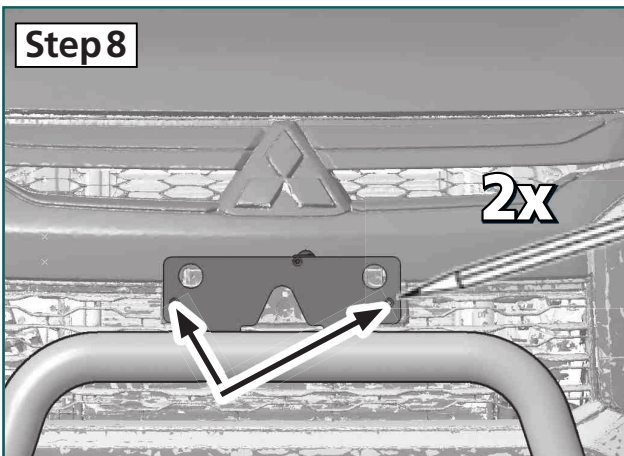
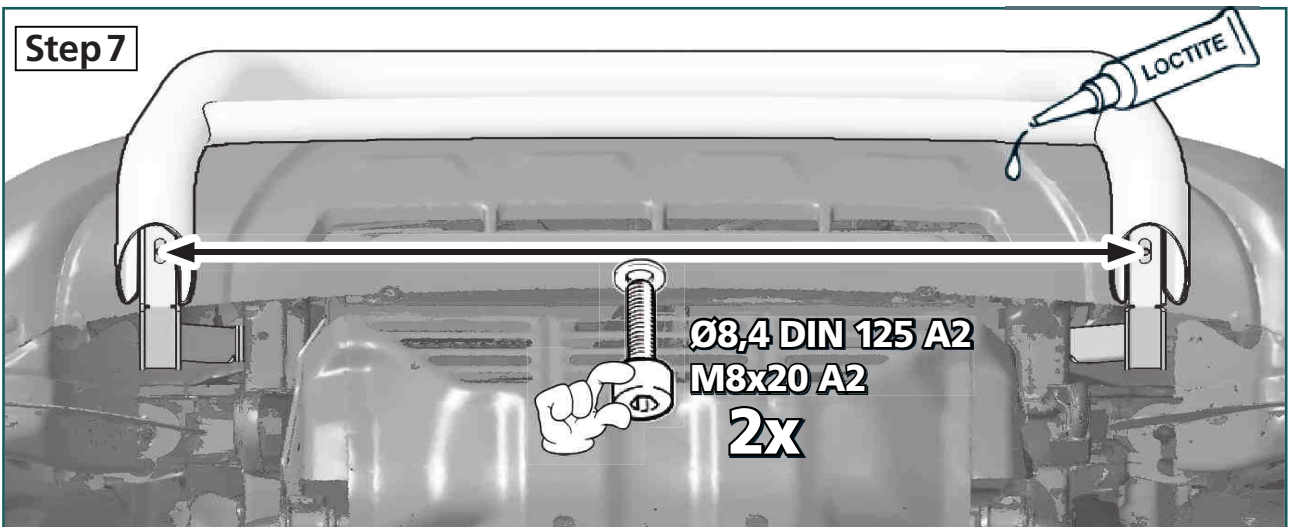
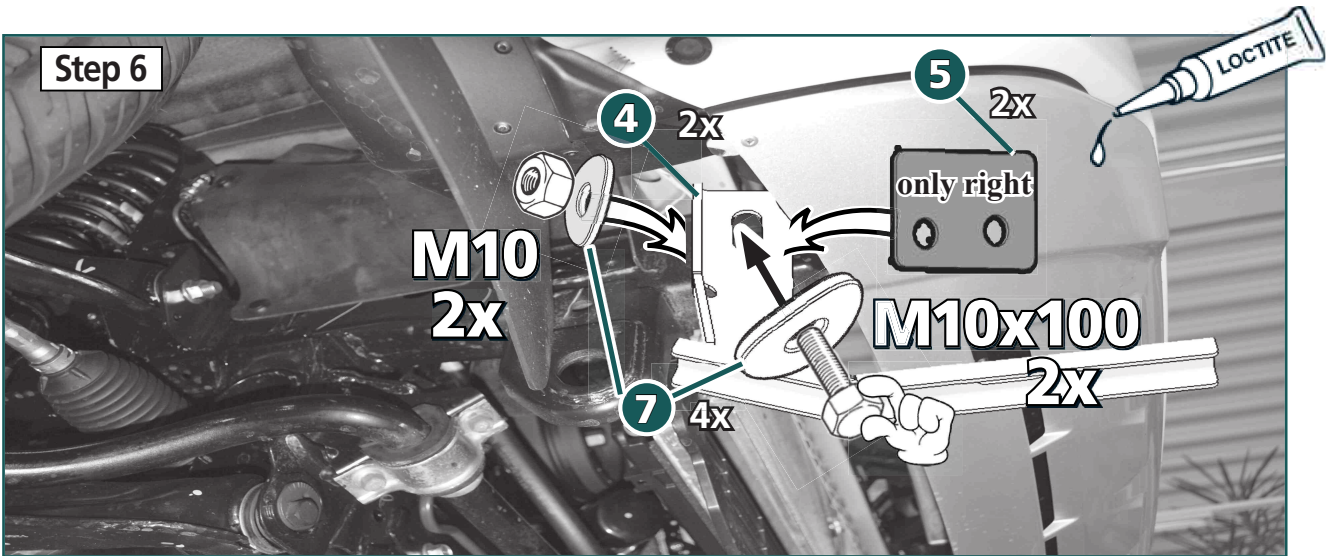


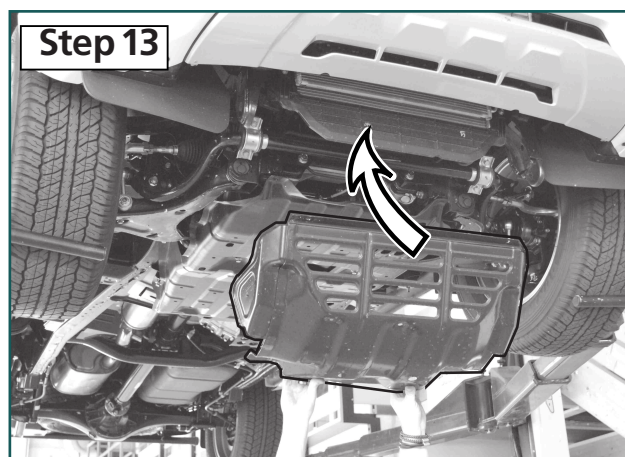
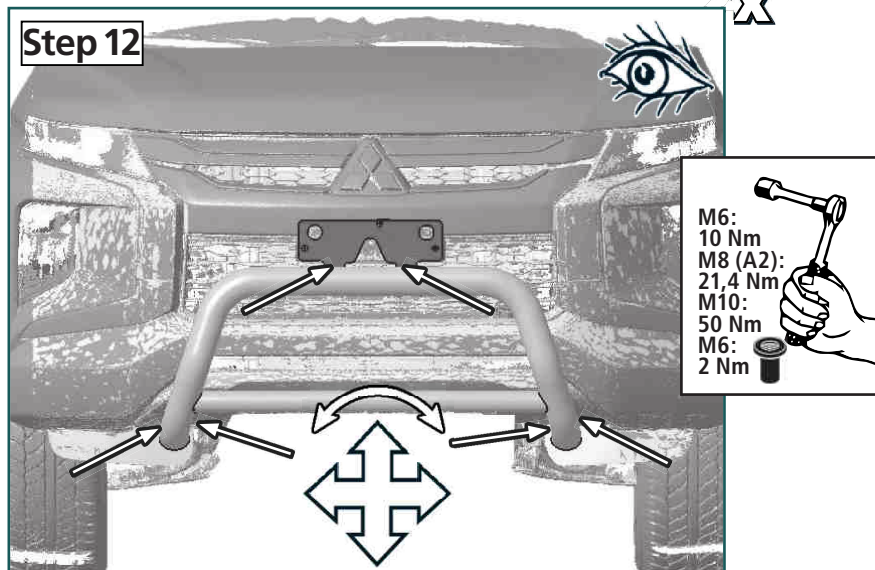
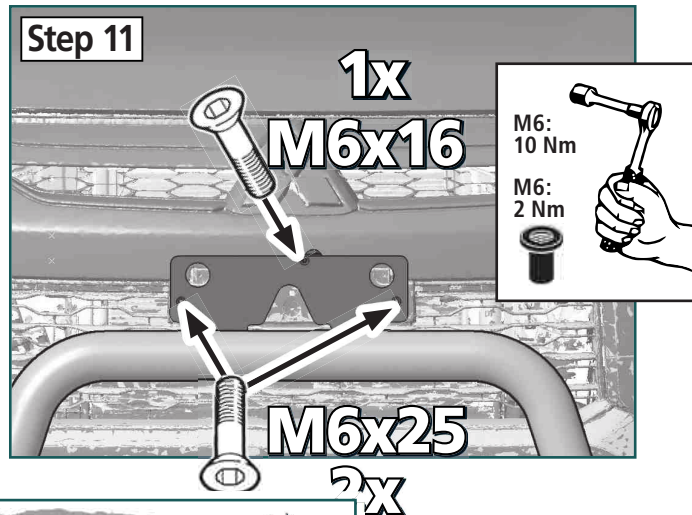
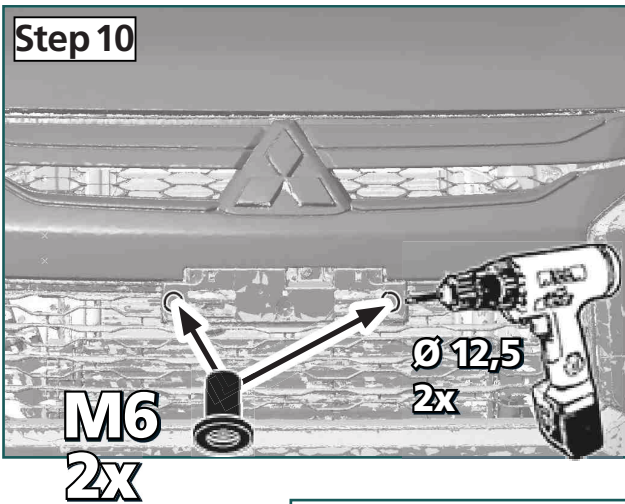
article no.:
17W4123 (S) inox
17W5123 black steel

Revision 1: 13.01.2020

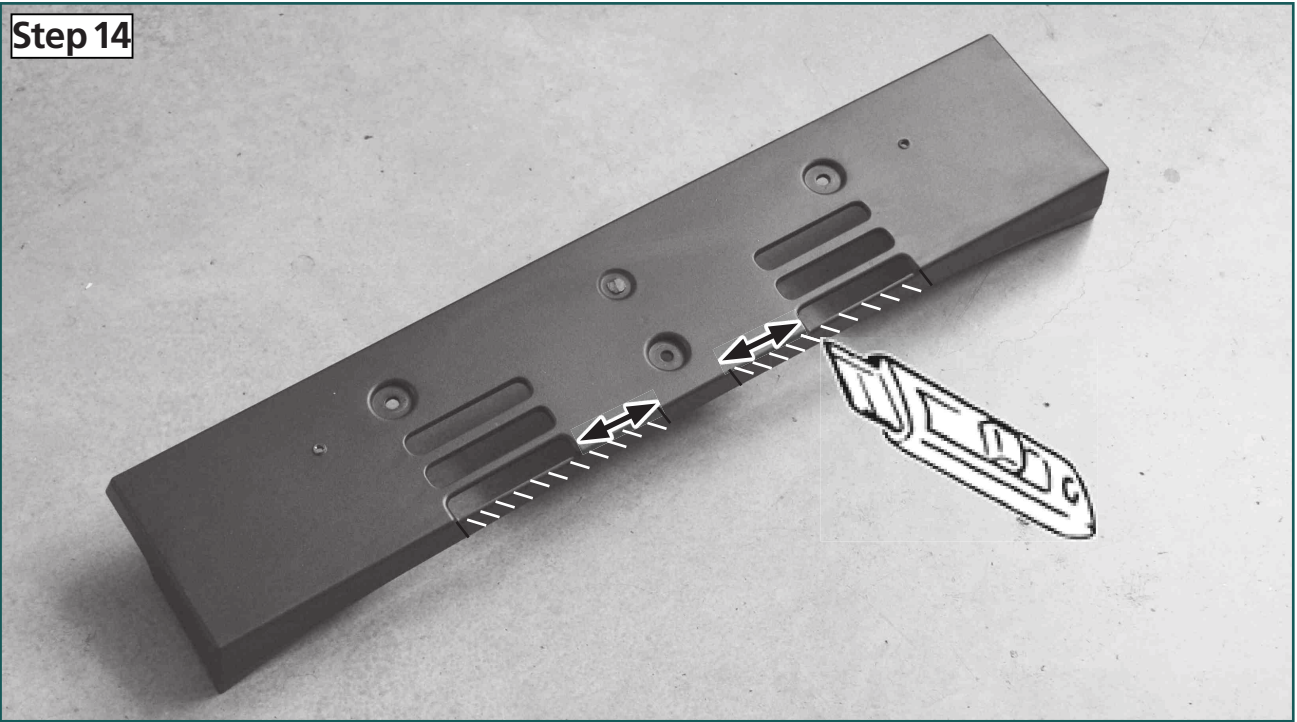




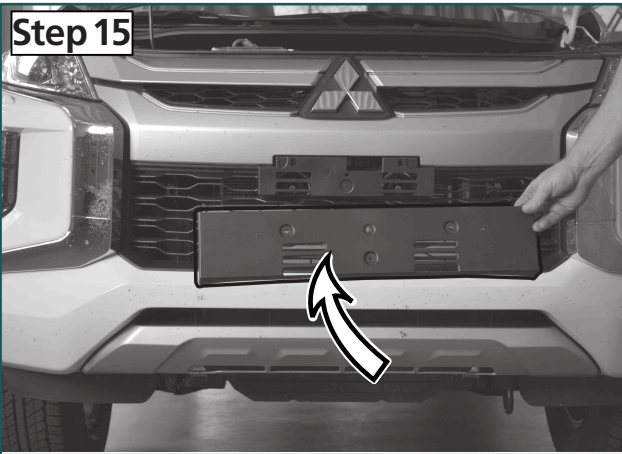




Step 14



Step 15



Step 16

