

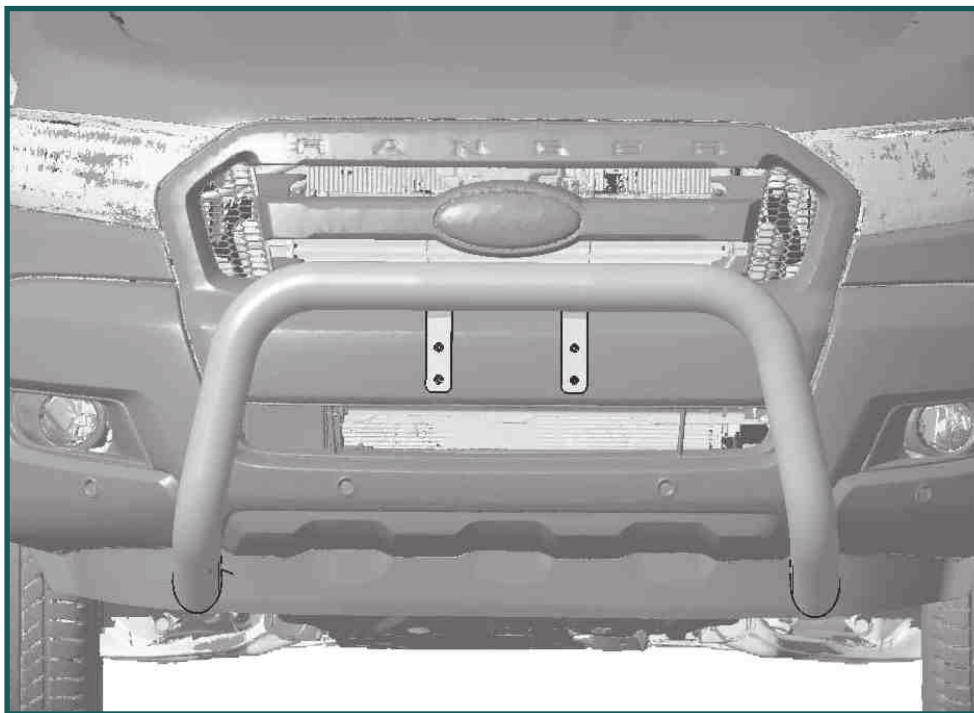
# 15V 4313

## Ford Ranger; Md. 2016 + 2019

EU-Pedestrian Protection Bar 76 mm

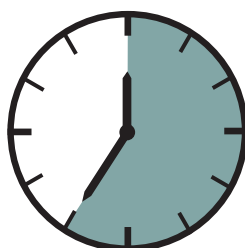
EU-Personenschutzbügel 76 mm

Protection avant, homologuée CEE, 76 mm



# ASSEMBLY INSTRUCTION

Montageanleitung • Instructions de montage



35 Minuten

article no.:

15V4313 (S) inox

15V5313 black steel

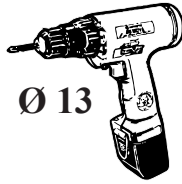
Revision 4: 01.07.2019



M6:  
10Nm  
M8(A2):  
21,4Nm  
M8:  
25Nm

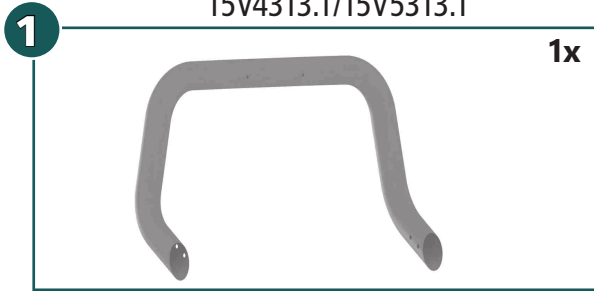
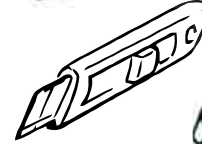


4  
5



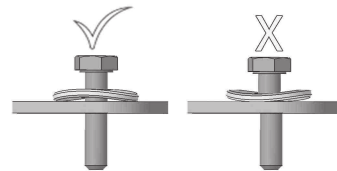
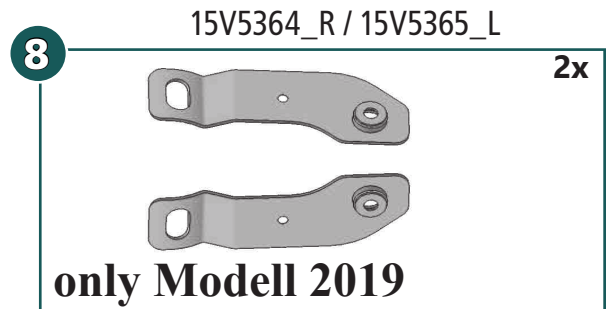
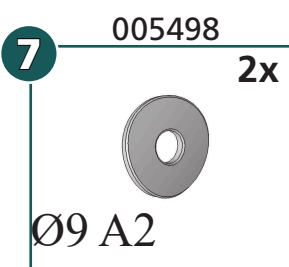
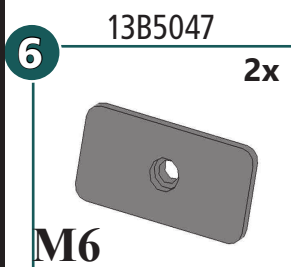
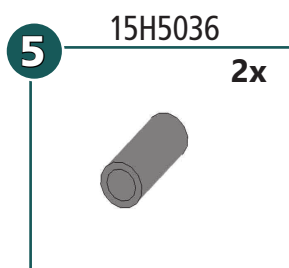
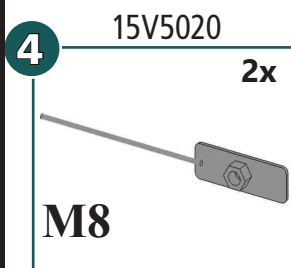
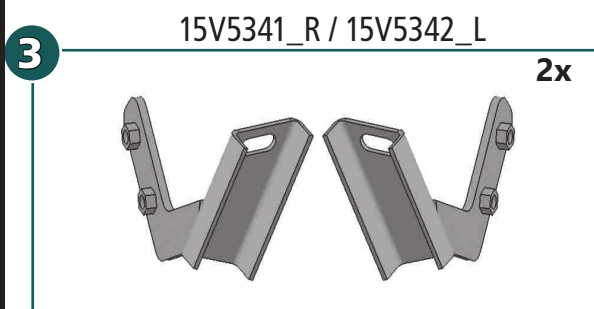
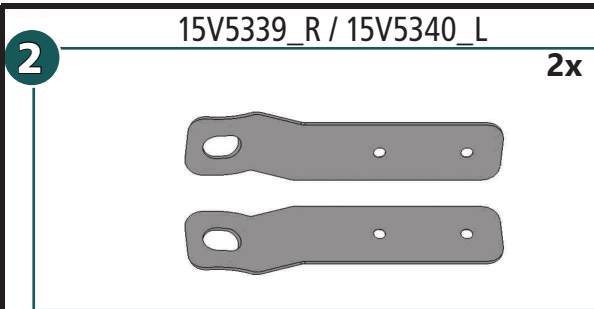
Ø 13

13



mounting kit: 15V9213

	M6 x 20; DIN 7991 Zn	2x
	M6 x 30; DIN 7991 Zn	2x
	M6 x 50; DIN 7991 Zn	2x
	M8 x 30; ähnl. ISO 7380 A2	4x
	M8 x 25; DIN 933 Zn	2x
	M8 x 30; DIN 933 A2	2x
	Ø 4,8 x 19 mm; DIN 7981 A2	4x
	Ø 5,3; DIN 9021 A2	4x
	Ø 8,4; DIN 9021 Zn	2x
	SW 13	2x

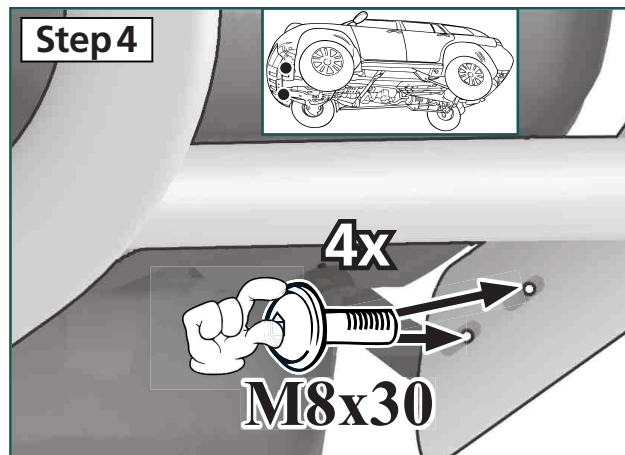
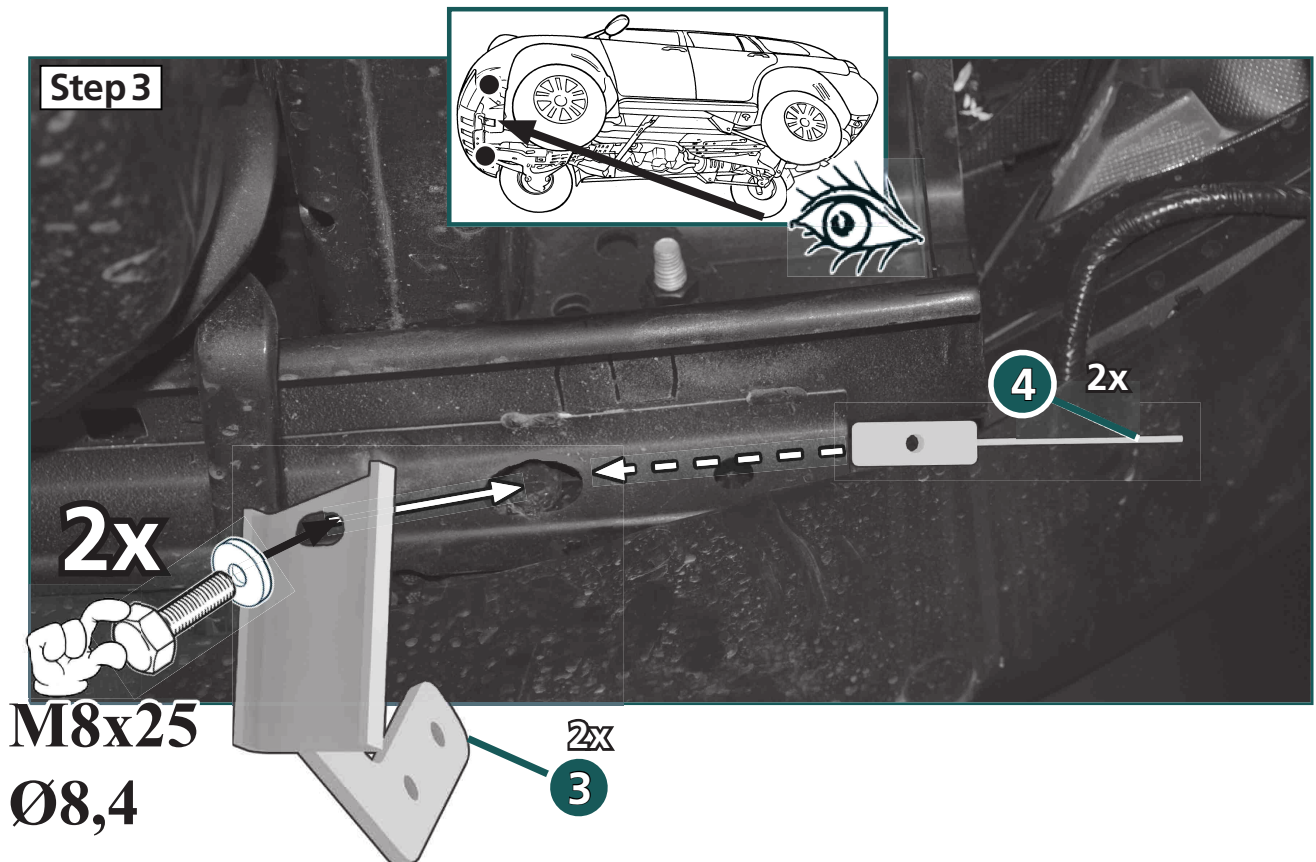
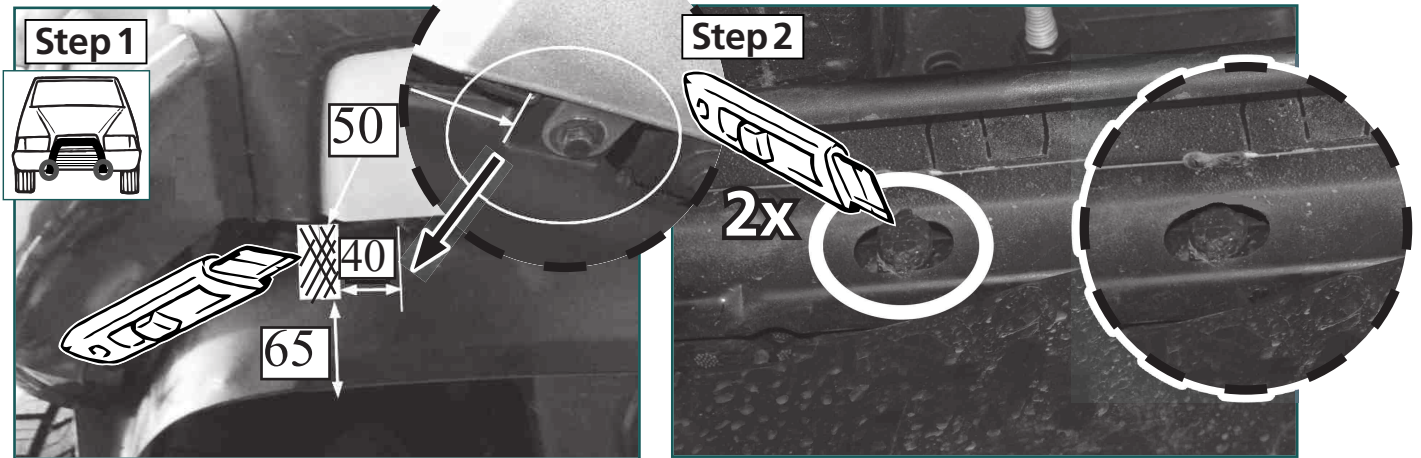


article no.:  
15V4313 (S) inox  
15V5313 black steel

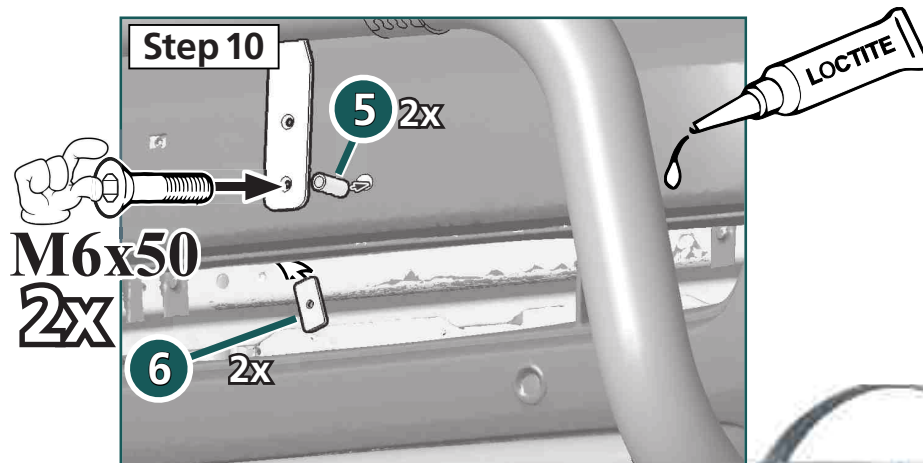
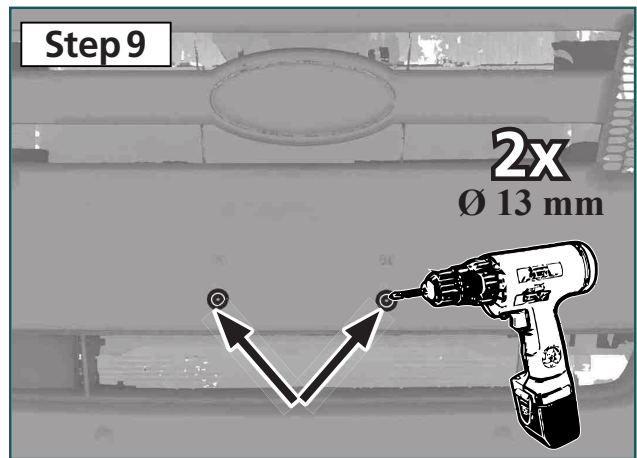
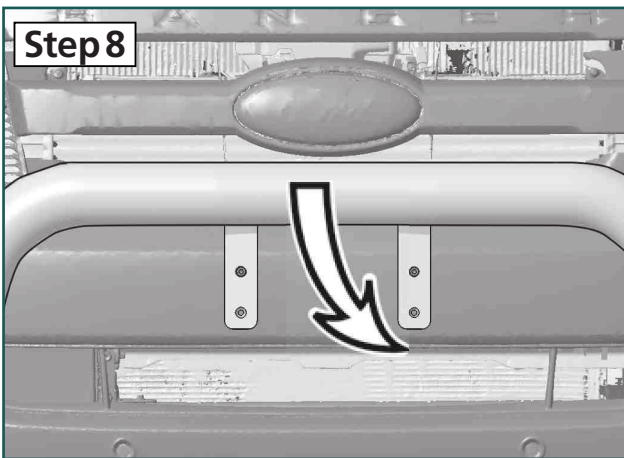
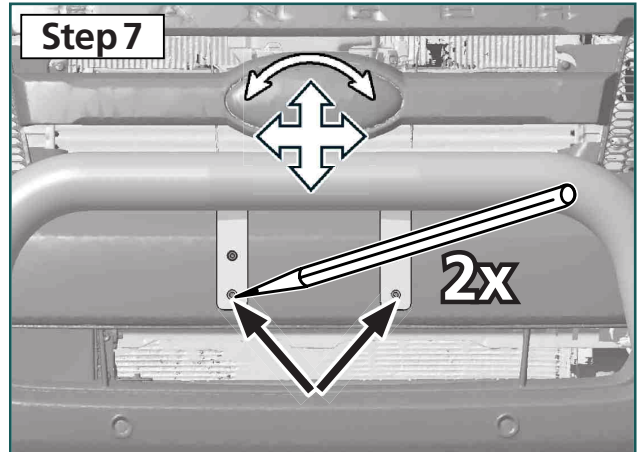
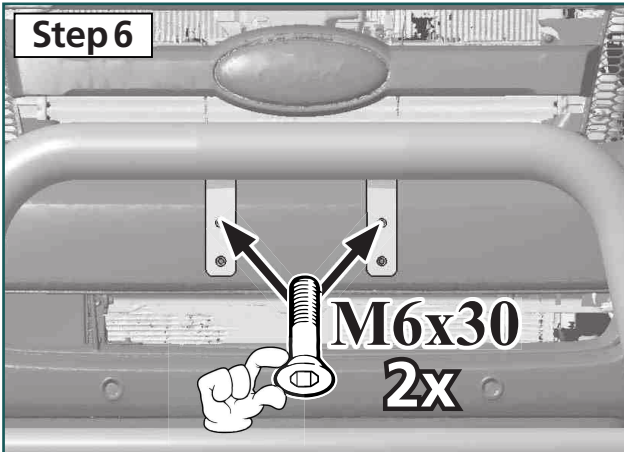
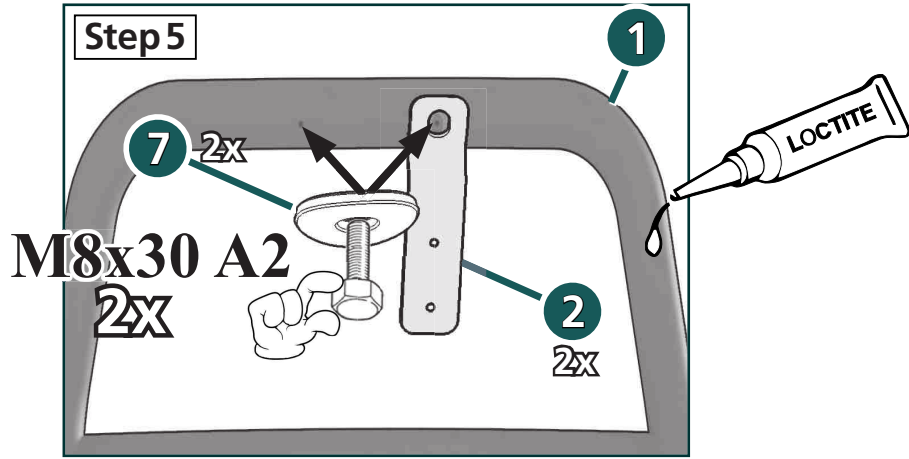
Revision 4: 01.07.2019

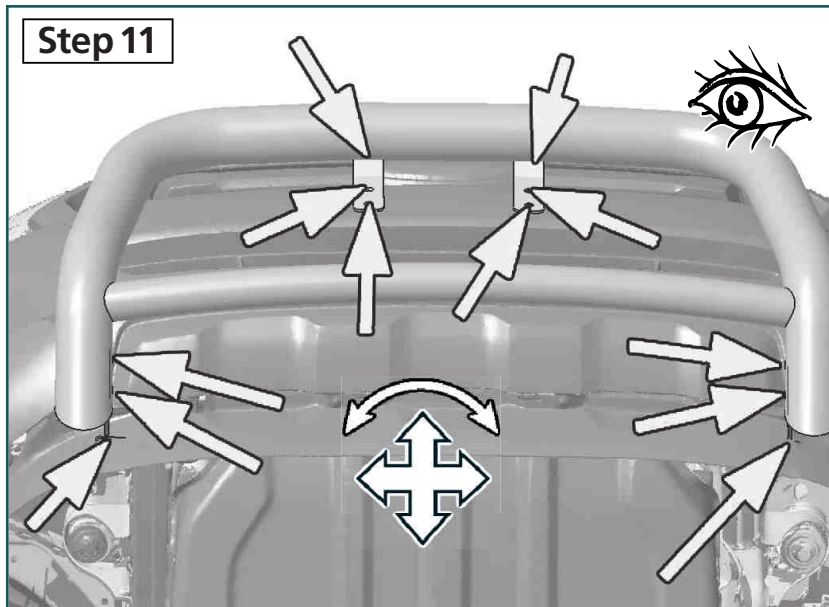


# Modell 2016+2019 - Step1-4

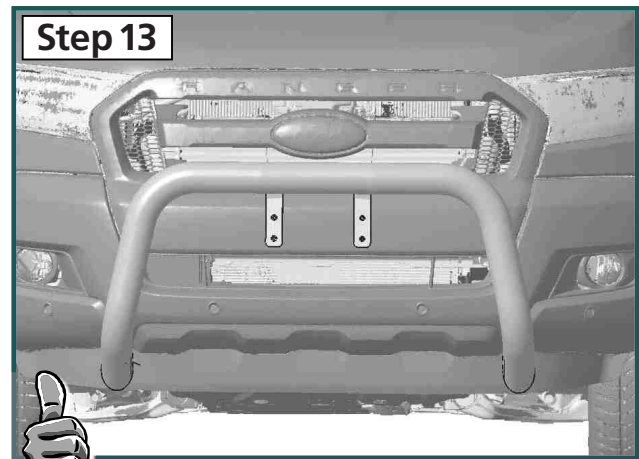
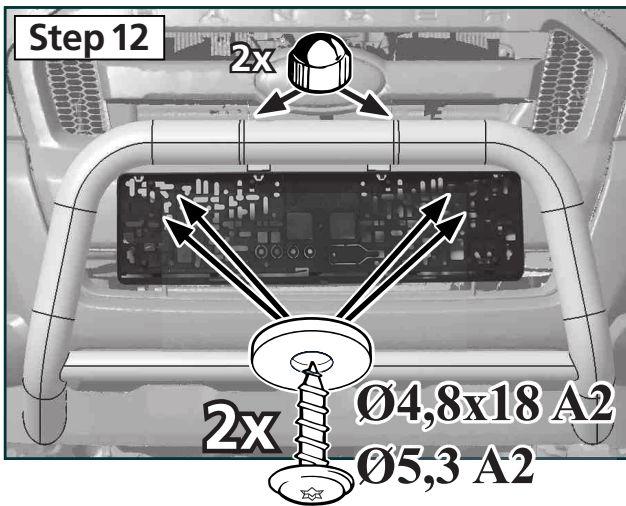


# Modell 2016 - Step5-13

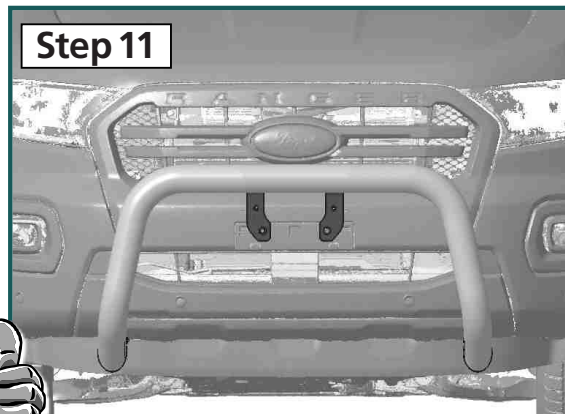
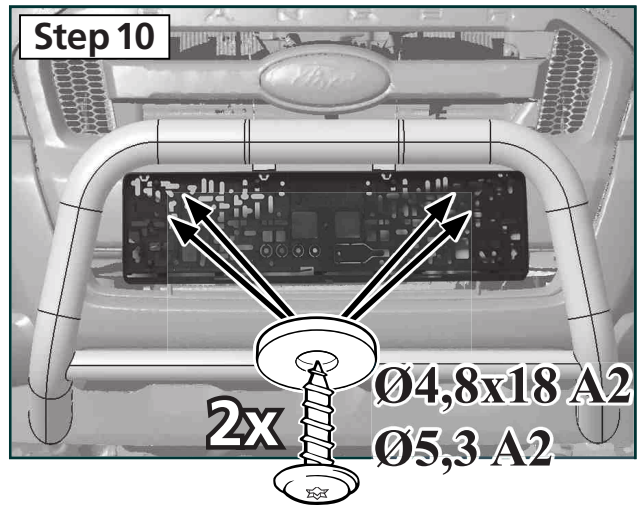
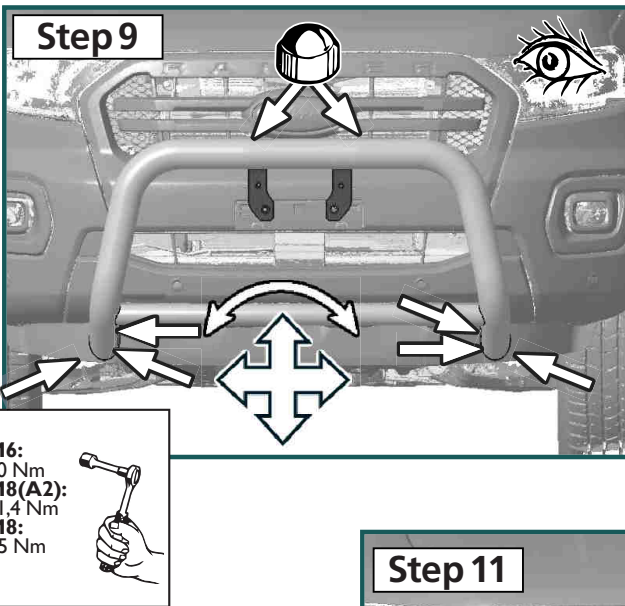
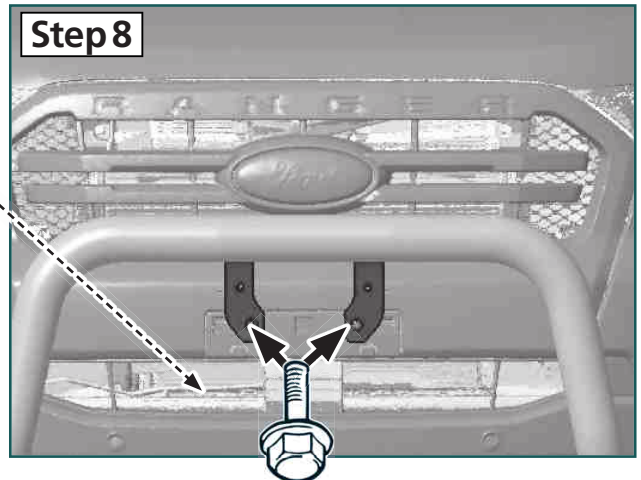
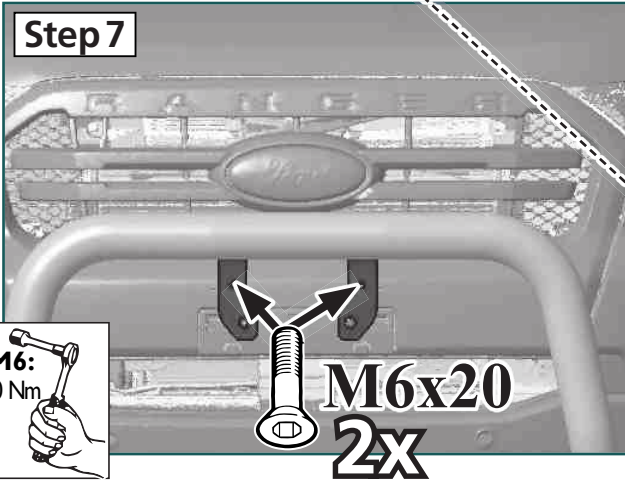
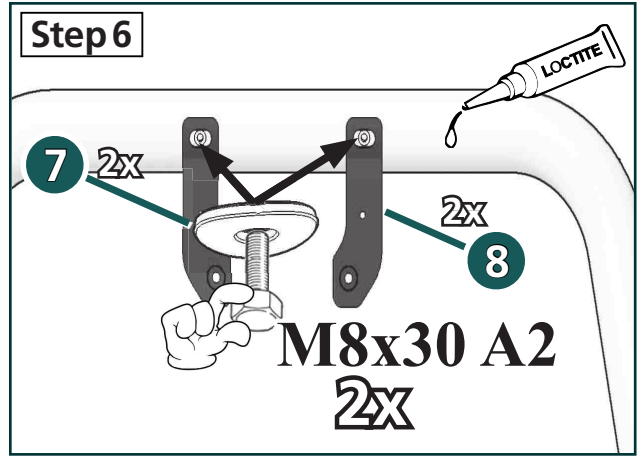
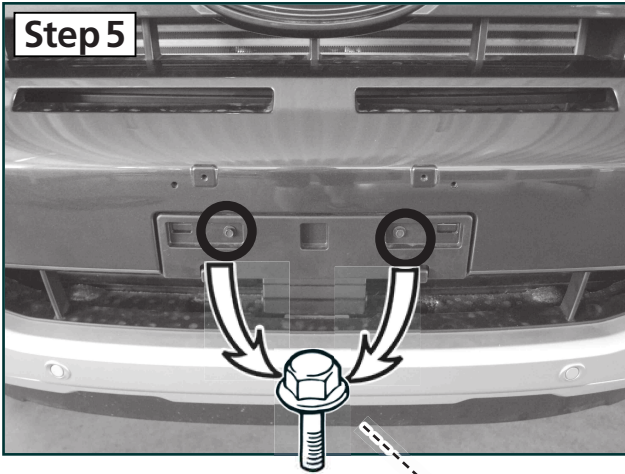




**M6:**  
 10 Nm  
**M8(A2):**  
 21,4 Nm  
**M8:**  
 25 Nm



# Modell 2019 - Step5-11



Revision 4: 01.07.2019

