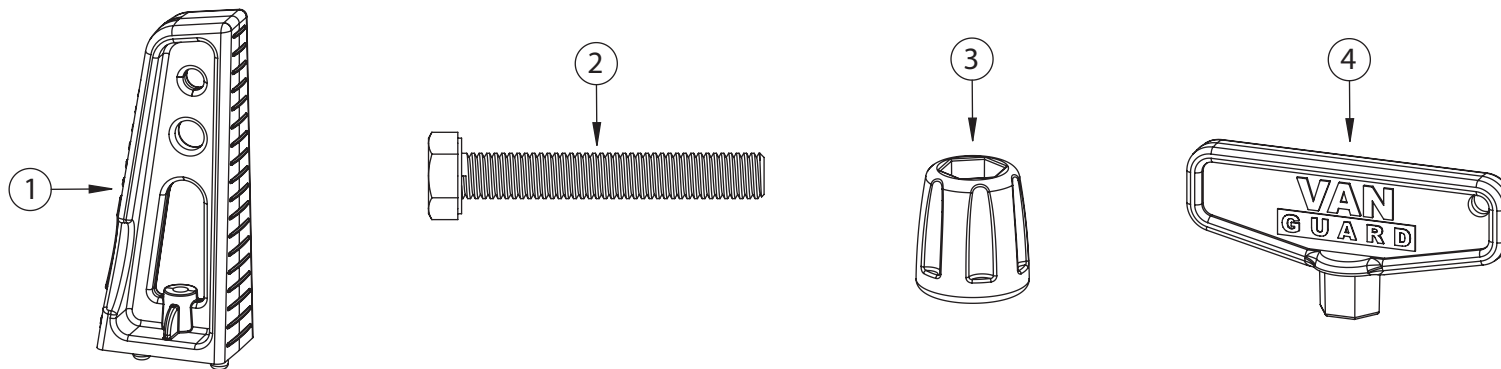


VGLS

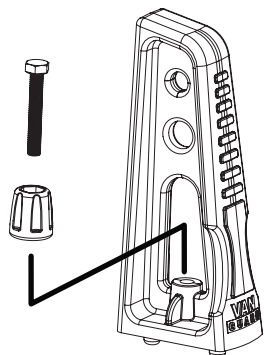
Adjustable Load Stops - **ULTI** Bars

SUPPLIED COMPONENTS

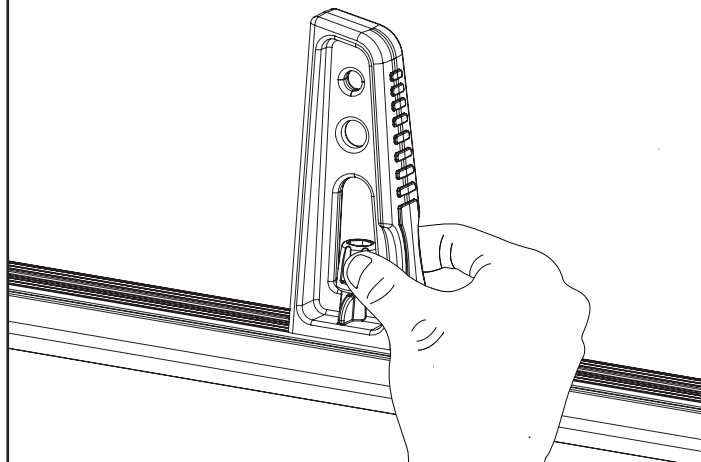


#	DESCRIPTION	QTY	QTY
		VGLS-1	VGLS-2
1	ADJUSTABLE LOAD STOP	2	4
2	M6x40 HEX BOLT	2	4
3	YELLOW KNOB	2	4
4	YELLOW 'T' KEY	1	1

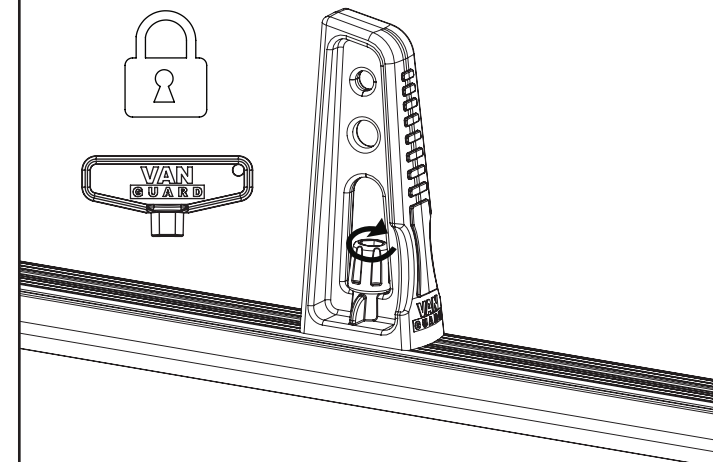
1 Place adjustable load stops onto the roof bars and locate with the rail plate already positioned in the t-track.



2 Slide the load stops to the required position on the bar and then tighten by hand.



3 If more security is needed then use the yellow 't' key to tighten further.



This FITTING INSTRUCTION is the property of VAN GUARD ACCESSORIES LTD. and must not be used for manufacturing purposes, copied nor communicated in any way to third parties without written permission from VAN GUARD ACCESSORIES LTD.
VGLS - IW - 09/10/13

Van Guard Accessories Ltd
Fair Oak Close, Exeter Airport Business Park,
Exeter, Devon, EX5 2UL
www.van-guard.co.uk