

Steps

MOTORISED STEPS		
	Fit Guide - Thule Slide-Out Step	214
New	Thule Slide-Out Step 12V G2	217
New	Thule Slide-Out Step 12V G2 Ducato Jumper Boxer Euro 6D	219
New	Thule Slide-Out Step 12V G2 Crafter 2017	221
	Thule Slide-Out Step V18 12V	223
	Thule Slide-Out Step V19 12V Ducato Jumper Boxer Euro 6d-Temp	225
	Thule Slide-Out Step V19 12V Crafter 2017	227
New	Thule Single Step Compact	229
	Thule Single Step 12V	231
	Thule Double Step 12V	233

ACCESSORIES FOR MOTORISED SLIDE-OUT STEPS		
	Thule Relay Kit for Step 12V	235
	Thule Control Box for Step 12V	235
	Thule LED Kit for Slide-Out Step	236
	Mounting Kit for Thule Slide-Out G2 12V	237

MANUAL STEPS		
	Thule Slide-Out Step Manual	238
	Thule Single Step Manual	240

Steps Fit Guide - Thule Slide-Out Step

	Fiat Ducato Peugeot Boxer Citroën Jumper	Volkswagen Crafter > 2017	Mercedes Sprinter FWD > 2017	Mercedes Sprinter RWD/ 4WD 05/2006 - Volkswagen Crafter 05/2006- 2017	Renault Master	Ford Transit
2019 - 2021						
Step	400 Thule Slide-Out Step V19 12V DuuJubo 400	301813 Thule Slide-Out Step V19 12V Crafter 2017 400			301461 Thule Slide-Out Step V18 12V 400	
550	301801 Thule Slide-Out Step V19 12V DuuJubo 550	301814 Thule Slide-Out Step V19 12V Crafter 2017 550			301462 Thule Slide-Out Step V18 12V 550	
700	301802 Thule Slide-Out Step V19 12V DuuJubo 700	301815 Thule Slide-Out Step V19 12V Crafter 2017 700			301463 Thule Slide-Out Step V18 12V 700	
Installation kit	301803 Thule Installation Kit Slide-Out Step V19 12V Ducato Jumper Boxer	301820 Thule Mounting Kit for Slide-Out Step V19 12V Crafter 2017 - 400 / 700		301481 Thule Mounting kit for Slide-Out Step V18 12V for Sprinter RWD / 4WD and Crafter < 2017	301482 Thule Mounting kit for Slide-Out Step V18 12V for Master 2010	301483 Thule Mounting kit for Slide-Out Step V18 12V for Transit < 2015 301484 Thule Mounting kit for Slide-Out Step V18 12V for Transit > 2015
From Q3 2021						
Step	400 Thule Slide-Out Step 12V G2 DuuJubo 400	301844 Thule Slide-Out Step 12V G2 Crafter 2017 400			301838 Thule Slide-Out Step 12V G2 400	
550	301842 Thule Slide-Out Step 12V G2 DuuJubo 550	301845 Thule Slide-Out Step 12V G2 Crafter 2017 550	301845 Thule Slide-Out Step 12V G2 Crafter / Sprinter 2017 550		301839 Thule Slide-Out Step 12V G2 550	
700	301843 Thule Slide-Out Step 12V G2 DuuJubo 700	301846 Thule Slide-Out Step 12V G2 Crafter 2017 700			301840 Thule Slide-Out Step 12V G2 700	
Installation kit	301877 Thule Installation Kit Slide-Out Step 12V G2 Ducato Jumper Boxer	301878 Thule Mounting Kit for Slide-Out Step 12V G2 Crafter 2017 - 400 / 700	301885 Thule Mounting Kit for Slide-Out Step 12V G2 Crafter / Sprinter 2017 550 for Sprinter FWD	301881 Thule Mounting kit for Slide-Out Step 12V G2 for Sprinter RWD / 4WD and Crafter < 2017	301882 Thule Mounting kit for Slide-Out Step 12V G2 for Master 2010	301883 Thule Mounting kit for Slide-Out Step 12V G2 for Transit < 2015 301884 Thule Mounting kit for Slide-Out Step 12V G2 for Transit > 2015

Steps

Fit Guide - Thule Slide-Out Step - On Pallet / Gitter box

	Fiat Ducato Peugeot Boxer Citroën Jumper	Volkswagen Crafter > 2017	Mercedes Sprinter FWD > 2017	Mercedes Sprinter RWD/ 4WD 05/2006 - Volkswagen Crafter 05/2006-2017	Renault Master	Ford Transit
	2019 - 2021					
Step	301804 Thule Slide-Out Step V19 12V DuJubo 400 On Pallet				301569 Thule Slide-Out Step V18 12V 400 On Pallet 20	
	301805 Thule Slide-Out Step V19 12V DuJubo 400 N/A On Pallet					
	301806 Thule Slide-Out Step V19 12V DuJubo 550 On Pallet	301811 Thule Slide-Out Step V19 12V Crafter 2017 550 On Pallet	301833 Thule Slide-Out Step V19 12V Sprinter FWD 550 On Pallet		301570 Thule Slide-Out Step V18 12V 550 On Pallet 20	
	301807 Thule Slide-Out Step V19 12V DuJubo 550 Full Rail On Pallet					
	301808 Thule Slide-Out Step V19 12V DuJubo 700 On Pallet					
	301809 Thule Slide-Out Step V19 12V DuJubo 700 N/A On Pallet	301812 Thule Slide-Out Step V19 12V Crafter 2017 700 On Pallet			301572 Thule Slide-Out Step V18 12V 700 On Pallet 20	
Installation kit	301825 Thule Slide-Out Step V19 12V DuJubo 700 Full Rail On Pallet					
	301822 Thule Installation Kit Slide-Out Step V19 12V Ducato Jumper Boxer 400 20 PC					
	301823 Thule Installation Kit Slide-Out Step V19 12V Ducato Jumper Boxer 550 20 PC					
	301824 Thule Installation Kit Slide-Out Step V19 12V Ducato Jumper Boxer 700 20 PC					

Steps Fit Guide - Thule Slide-Out Step - On Pallet / Gitter box

	Fiat Ducato Peugeot Boxer Citroën Jumper	Volkswagen Crafter > 2017	Mercedes Sprinter FWD > 2017	Mercedes Sprinter RWD/ 4WD 05/2006 - Volkswagen Crafter 05/2006-2017	Renault Master	Ford Transit	
Step	400	301850 Thule Slide-Out Step G2 12V DuuJubo 400 On Pallet			301847 Thule Slide-Out Step G2 12V 400 On Pallet 20		
		301851 Thule Slide-Out Step G2 12V DuuJubo 400 N/A On Pallet					
		301852 Thule Slide-Out Step G2 12V DuuJubo 550 On Pallet	301857 Thule Slide-Out Step G2 12V Crafter 2017 550 On Pallet	301860 Thule Slide-Out Step G2 12V Sprinter FWD 550 On Pallet		301848 Thule Slide-Out Step G2 12V 550 On Pallet 20	
		301855 Thule Slide-Out Step G2 12V DuuJubo 550 Full Rail On Pallet					
		301853 Thule Slide-Out Step G2 12V DuuJubo 700 On Pallet					
		301854 Thule Slide-Out Step G2 12V DuuJubo 700 N/A On Pallet	301858 Thule Slide-Out Step G2 12V Crafter 2017 700 On Pallet			301849 Thule Slide-Out Step G2 12V 700 On Pallet 20	
	700	301856 Thule Slide-Out Step G2 12V DuuJubo 700 Full Rail On Pallet					
		301886 Thule Installation Kit Slide-Out Step G2 12V Ducato Jumper Boxer 400 20 PC					
		301887 Thule Installation Kit Slide-Out Step G2 12V Ducato Jumper Boxer 700 20PC					
Installation Kit							

From Q3 2021

New

Thule Slide-Out Step 12V G2

Steps



INFORMATION

- Motor / Manual 12V Motor
- Material Corrugated anodised aluminium

USP'S

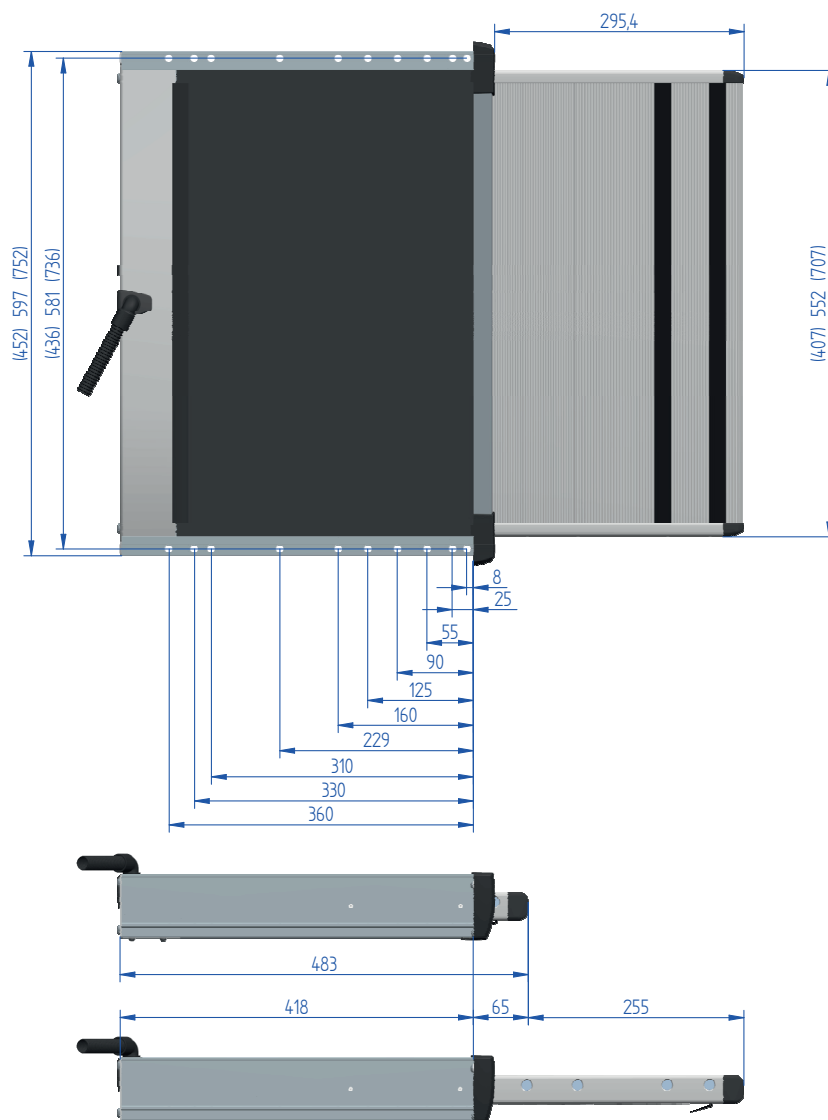
- Reduced weight
- Stronger and more reliable Slide-Out Step
- Better integration of the Slide-Out Step on the vehicle
- Easy and toolless removal of the footboard

FEATURES

- The load capacity exceeds by far the European norm 2001/85/EG (RV DIN EN 1646-1)
- Smart and stable installation
- Easy manual activation without tools in case of power failure
- Conformity with EC Norm 74/485/EEG: no sharp edges at front side
- Patented cable outlet + hook allowing more protection and flexibility during installation
- Better protection for dust infiltration: integrated brushes, cable outlet, lip profile
- Anti-slip security with safety walk
- A switch for the connection of an optional warning lamp or relay in the vehicle is supplied as standard, making it impossible to drive away with the step still out
- Conform to the EMC and CE standards
- Accessory: retrofit and integrated LED solution

DIMENSIONS

Type	Step width	Total width	Weight
400	407 mm	452 mm	5.8 kg
550	552 mm	597 mm	6.6 kg
700	707 mm	752 mm	7.7 kg



ACCESSORIES

- Thule Relay Kit for Step 12V
- Thule Control Box for Step 12V
- Thule LED Kit for Slide-Out Step

301838	Thule Slide-Out Step G2 12V 400mm - single packed with switch
301839	Thule Slide-Out Step G2 12V 550mm - single packed with switch
301840	Thule Slide-Out Step G2 12V 700mm - single packed with switch



Thule Slide-Out Step 12V G2

Ducato | Jumper | Boxer Euro 6D




INFO

- Motor / Manual 12V Motor
- Material Corrugated anodised aluminium

USP'S

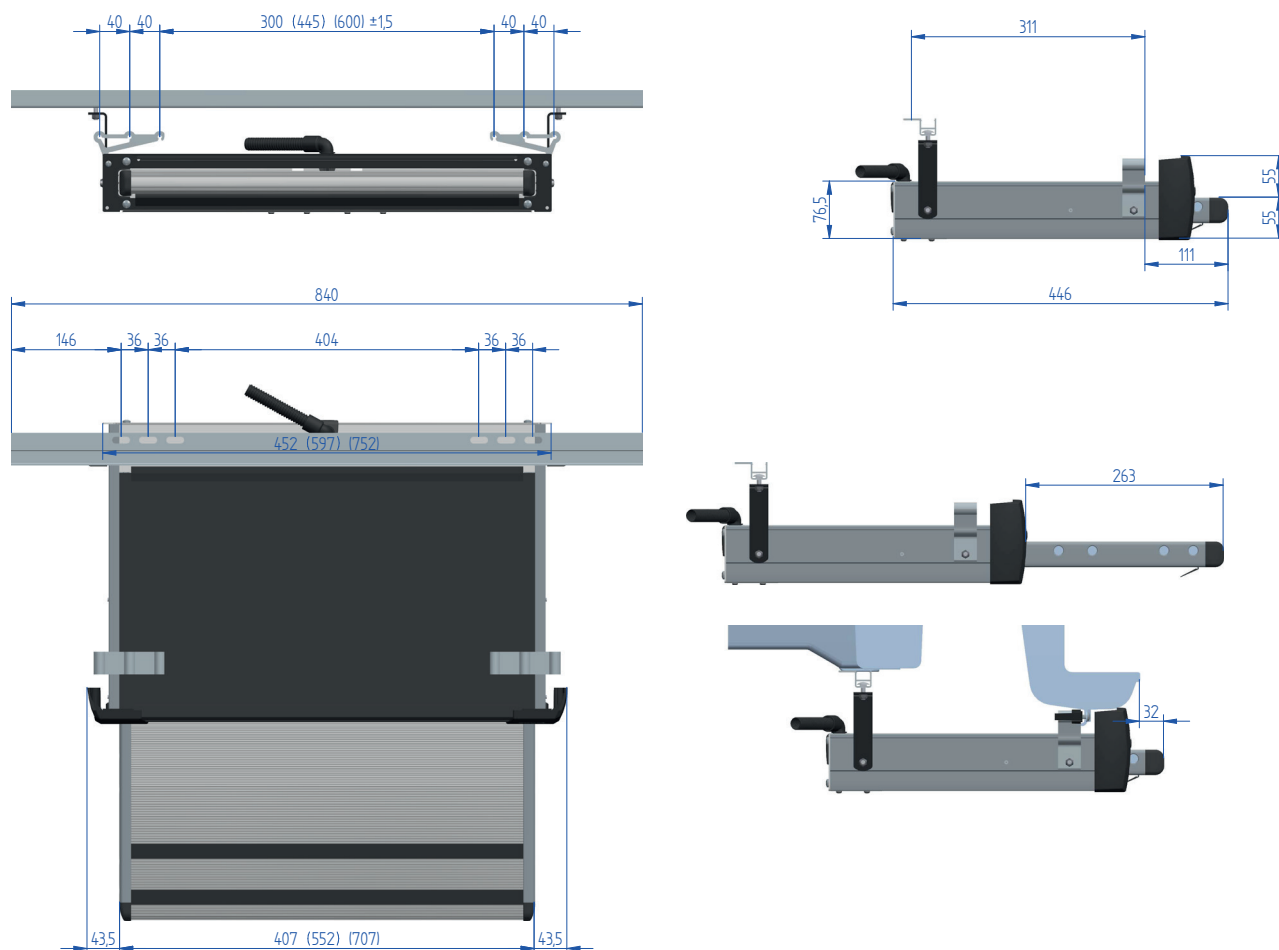
- Euro 6D compatible and reduced in weight
- Stronger and more reliable Slide-Out step
- Better integration of the Slide-Out Step on a van
- Easy and toolless removal of the footboard

FEATURES

- The load capacity exceeds by far the European norm 2001/85/EG (RV DIN EN 1646-1)
- Smart and stable installation on a Ducato, Jumper or Boxer van
- Easy manual activation without tools in case of power failure
- Conformity with EC Norm 74/485/EEG: no sharp edges at front side
- Patented cable outlet + hook allowing more protection and flexibility during installation
- Better protection for dust infiltration: integrated brushes, cable outlet, lip profile
- Anti-slip security with safety walk
- A switch for the connection of an optional warning lamp or relay in the vehicle is supplied as standard, making it impossible to drive away with the step still out
- Conform to the EMC and CE standards
- Accessory: Retrofit and integrated LED solution

DIMENSIONS

Type	Step width	Total width	Distance between the fixation parts	Weight
400	407 mm	452 mm	300 +- 1.5 mm	5.8 kg
550	552 mm	597 mm	445 +- 1.5 mm	6.5 kg
700	707 mm	752 mm	600 +- 1.5 mm	7.5 kg



ACCESSORIES

- Thule Relay Kit for Step 12V
- Thule Control Box for Step 12V
- Thule LED Kit for Slide-Out Step

301841	Thule Slide-Out Step G2 12V Ducato Jumper Boxer 400
301842	Thule Slide-Out Step G2 12V Ducato Jumper Boxer 550
301843	Thule Slide-Out Step G2 12V Ducato Jumper Boxer 700



Thule Slide-Out Step 12V G2

Crafter 2017




INFORMATION

- Motor / Manual 12V Motor
- Material Corrugated anodised aluminium

USP'S

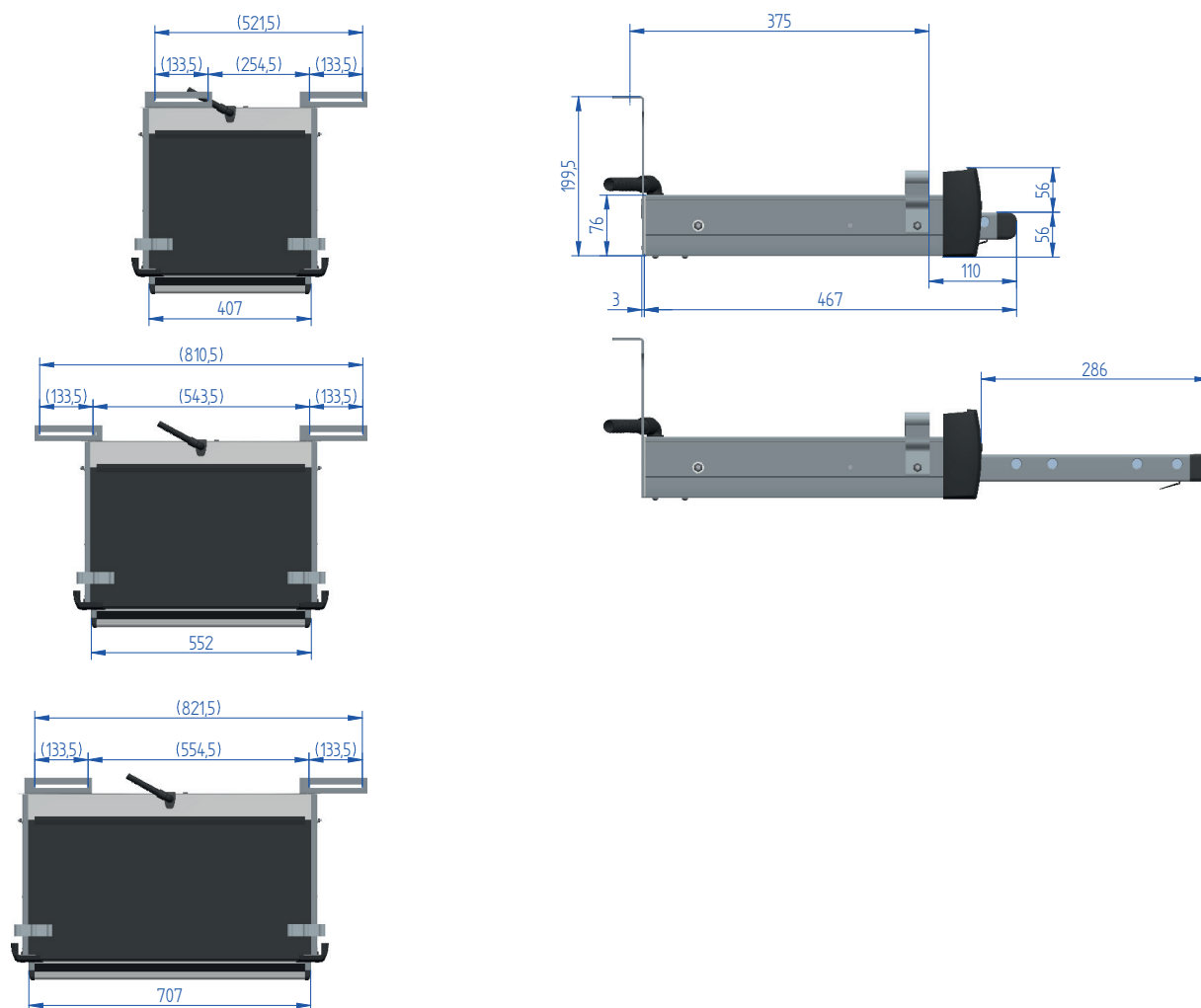
- Reduced weight
- Stronger and more reliable Slide-Out Step
- Better integration of the Slide-Out Step on the vehicle
- Easy and toolless removal of the footboard

FEATURES

- The load capacity exceeds by far the European norm 2001/85/EG (RV DIN EN 1646-1)
- Smart and stable installation on a Volkswagen Crafter Van from 2017 onwards
- Easy manual activation without tools in case of power failure
- Conformity with EC Norm 74/485/EEG: no sharp edges at front side
- Patented cable outlet + hook allowing more protection and flexibility during installation
- Better protection for dust infiltration: integrated brushes, cable outlet, lip profile
- Anti-slip security with safety walk
- A switch for the connection of an optional warning lamp or relay in the vehicle is supplied as standard, making it impossible to drive away with the step still out
- Conform to the EMC and CE standards
- Accessory: retrofit and integrated LED solution

DIMENSIONS

Type	Step width	Total width	Weight
400	407 mm	452 mm	5.8 kg
550	552 mm	597 mm	6.5 kg
700	707 mm	752 mm	7.5 kg



ACCESSORIES

- Thule Relay Kit for Step 12V
- Thule Control Box for Step 12V
- Thule LED Kit for Slide-Out Step

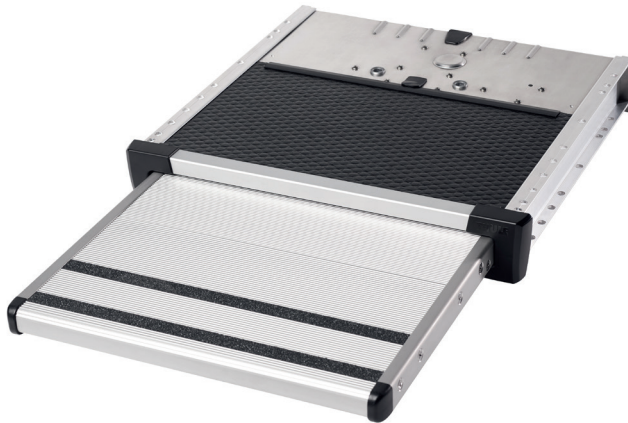
301844	Thule Slide-Out Step G2 12V Crafter 400
301845	Thule Slide-Out Step G2 12V Crafter 550
301846	Thule Slide-Out Step G2 12V Crafter 700

Thule Slide-Out Step V18 12V

Type 400, 550 & 700 Alu



Steps



INFO

- Motor / Manual 12V Motor
- Width 400 mm - 550 mm - 700 mm
- Weight 5.9 kg - 6.9 kg - 8.5 kg
- Material Corrugated anodised aluminium

USP'S

- Reduced weight
- Optimal ground clearance
- Easy manual stow operation without tools, in case of power failure
- Clever multifunctional cable outlet to avoid water and dust infiltration
- Accessory: retrofit and integrated LED-solution

FEATURES

- High performing sliding RV step
- Footboard projection 300 mm
- Load capacity exceeds by far the European norm 2001/85/EG (RV EN1646-1 and EN1645-1)
- Quality parts with proven reliability:
 - Bosch motor
 - Synchronous motor mechanism (patent protection)
- Service-friendly:
 - Easy maintenance
 - Security switch
- Better protection for dust and water infiltration
 - Integrated brushes
 - Cable outlet
- Anti-slip security with 3M safety walk
- Conformity with EC Norm 74/485/EEG: no sharp edges at front side
- Different installation sets for vans available (Ducato, Sprinter, etc...)

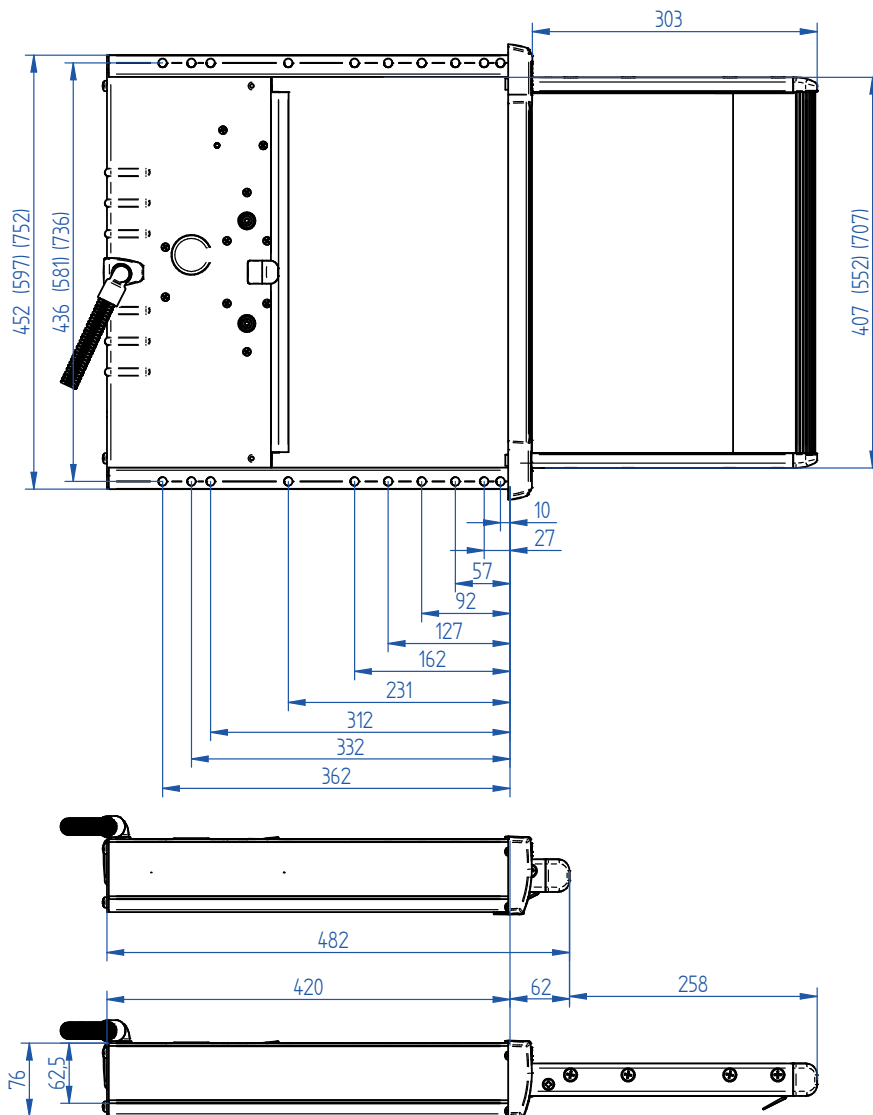


WARNING

- Not suitable for installation at the cabin door of the vehicle

DIMENSIONS

Type	Step width (y)	Total width (x)	Distance between the fixation parts	Weight
400	407 mm	452 mm	436 +- 2 mm	5.9 kg
550	552 mm	597 mm	581 +- 2 mm	6.9 kg
700	707 mm	752 mm	736 +- 2 mm	8.5 kg



ACCESSORIES

- Thule Relay Kit for Step 12V
- Thule Control Box for Step 12V
- Thule LED Kit for Slide-Out Step

301461	Thule Slide-Out Step V18 12V - 400*
301462	Thule Slide-Out Step V18 12V - 550*
301463	Thule Slide-Out Step V18 12V - 700*

*Single packed with switch



Thule Slide-Out Step V19 12V

Ducato | Jumper | Boxer Euro 6d-Temp

Type 400, 550 & 700 Alu



301803 - Thule Mounting Kit

INFO

- Motor / Manual 12V Motor
- Width 400 mm - 550 mm - 700 mm
- Weight 5.8 kg - 6.2 kg - 7.8 kg
- Material Corrugated anodised aluminium

USP'S

- Smart and stable installation on a Ducato, Jumper, Boxer van with more ground clearance
- Euro 6d-Temp compatible: specific depth to fit all vehicles with Euro 6d-Temp engine
- Easy manual activation without tools in case of power failure
- Reinforced motor plate: - 2 kg for 700 mm width version
- Nice visual finish in line with the contemporary van design
- Conformity with EC Norm 74/485/EEG: no sharp edges at front side
- Patented cable outlet + hook allowing more protection and flexibility during installation

FEATURES

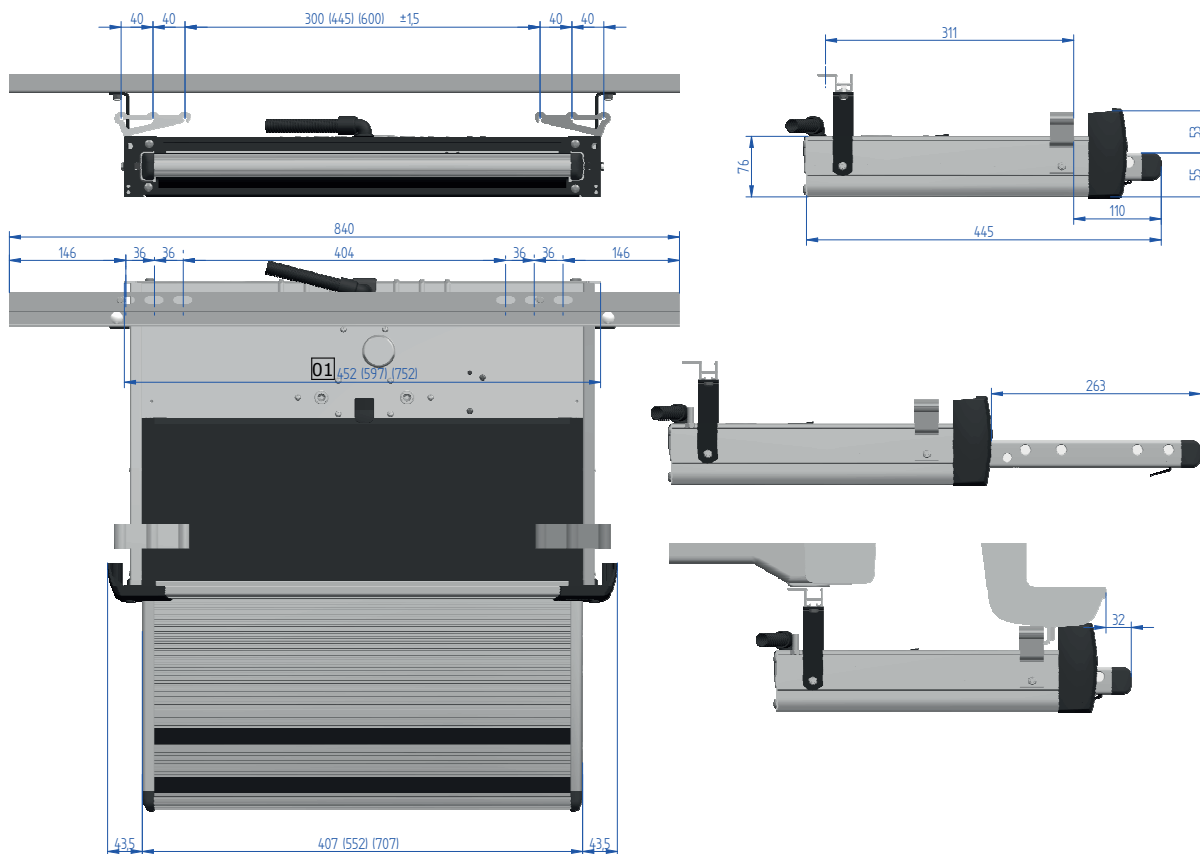
- High performing sliding RV step
- Quality parts with proven reliability:
 - Bosch motor
 - Synchronous motor mechanism (patent protection)
- Load capacity exceeds by far the European norm 2001/85/EG (RV EN1646-1 and EN1645-1)
- Service-friendly:
 - Easy maintenance
 - Double protected security switch
- Improved dust and water resistance:
 - patented cable outlet
 - full length lip profile on top of the casing
- Load security: step does not operate with more than 15 kg load
- Anti-slip security with 3M safety walk
- Conform to the EMV and CE standards. The formulated quality standards exceed European standard EN1646
- A switch for the connection of an optional warning lamp in the vehicle is supplied as standard, making it impossible to drive away with the step still out
- Accessory: retrofit and integrated LED-solution

WARNING

- Not suitable for installation at the cabin door of the vehicle

DIMENSIONS

Type	Step width	Total width	Distance between the fixation parts	Weight
400	407 mm	452 mm	300 +- 1.5 mm	5.8 kg
550	552 mm	597 mm	445 +- 1.5 mm	6.2 kg
700	707 mm	752 mm	600 +- 1.5 mm	7.8 kg



ACCESSORIES

- Thule Relay Kit for Step 12V
- Thule Control Box for Step 12V
- Thule LED Kit for Slide-Out Step

301800	Thule Slide-Out Step V19 12V Ducato Jumper Boxer Euro 6d-Temp - 400*	
301801	Thule Slide-Out Step V19 12V Ducato Jumper Boxer Euro 6d-Temp - 550*	
301802	Thule Slide-Out Step V19 12V Ducato Jumper Boxer Euro 6d-Temp - 700*	
301803	Thule Mounting Kit for Slide-Out Step V19 12V D J B**	1.2 kg

*Single packed without mounting kit

**Mounting kit with switch included

301804	Thule Slide-Out Step V19 12V Ducato Jumper Boxer Euro 6d-Temp - 400*
301806	Thule Slide-Out Step V19 12V Ducato Jumper Boxer Euro 6d-Temp - 550*
301808	Thule Slide-Out Step V19 12V Ducato Jumper Boxer Euro 6d-Temp - 700*

*On pallet (20 pcs), without switch, mounting kit included



Thule Slide-Out Step V19 12V Crafter 2017

Type 400, 550 & 700 Alu



301820 - Thule Mounting Kit (400/700)



301821 - Thule Mounting Kit (550)

INFO

- Motor / Manual 12V Motor
- Width 400 mm - 550 mm - 700 mm
- Weight 5.9 kg - 6.5 kg - 8.3 kg
- Material Corrugated anodised aluminium

USP'S

- Smart and stable installation on a Volkswagen Crafter van from 2017 and onwards
- Easy manual activation without tools in case of power failure
- Reinforced motor plate: - 2 kg for 700 mm width version
- Nice visual finish in line with the contemporary van design
- Conformity with EC Norm 74/485/EEG: no sharp edges at front side
- Patented cable outlet + hook allowing more protection and flexibility during installation

FEATURES

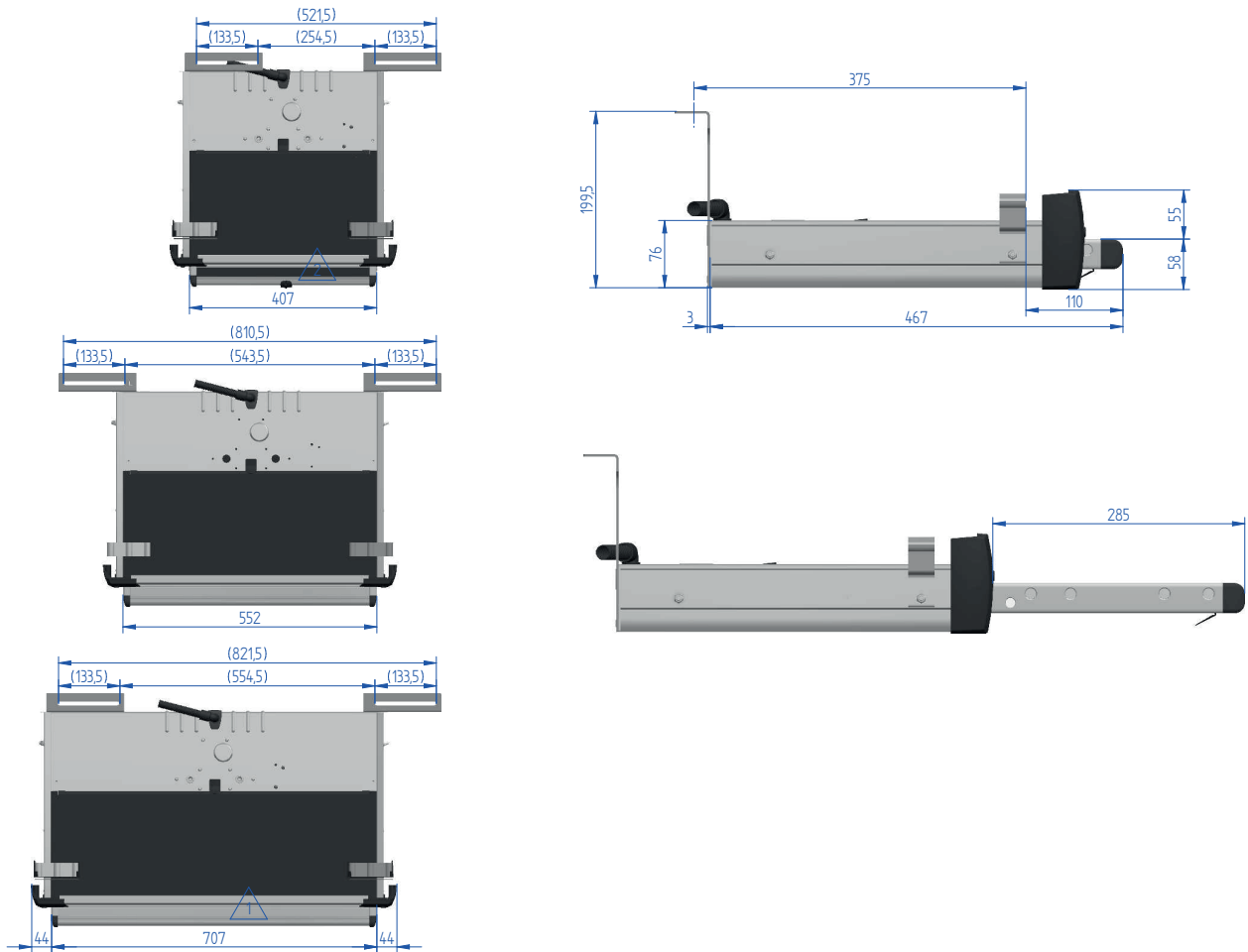
- High performing sliding RV step
- Quality parts with proven reliability:
 - Bosch motor
 - Synchronous motor mechanism (patent protection)
- Load capacity exceeds by far the European norm 2001/85/EG (RV EN1646-1 and EN1645-1)
- Service-friendly:
 - Easy maintenance
 - Double protected security switch
- Improved dust and water resistance:
 - patented cable outlet
 - full length lip profile on top of the casing
- Load security: step does not operate with more than 15 kg load
- Anti-slip security with 3M safety walk
- Conform to the EMV and CE standards. The formulated quality standards exceed European standard EN1646
- A switch for the connection of an optional warning lamp in the vehicle is supplied as standard, making it impossible to drive away with the step still out
- Accessory: retrofit and integrated LED-solution

WARNING

- Not suitable for installation at the cabin door of the vehicle

DIMENSIONS

Type	Step width	Total width	Distance between the fixation parts	Weight
400	407 mm	452 mm	254.5 +/- 1.5 mm	5.9 kg
550	552 mm	597 mm	543.5 +/- 1.5 mm	6.5 kg
700	707 mm	752 mm	554.5 +/- 1.5 mm	8.3 kg



ACCESSORIES

- Thule Relay Kit for Step 12V
- Thule Control Box for Step 12V
- Thule LED Kit for Slide-Out Step

301813	Thule Slide-Out Step V19 12V Crafter 2017 - 400*	
301814	Thule Slide-Out Step V19 12V Crafter 2017 - 550*	
301815	Thule Slide-Out Step V19 12V Crafter 2017 - 700*	
301820	Thule Mounting Kit for Slide-Out Step V19 12V Crafter 2017 - 400/700**	1.2 kg
301821	Thule Mounting Kit for Slide-Out Step V19 12V Crafter 2017 - 550**	1.2 kg

*Single packed without mounting kit

**Mounting kit with switch included

301811	Thule Slide-Out Step V19 12V Crafter 2017 - 550*
301812	Thule Slide-Out Step V19 12V Crafter 2017 - 700*

*On pallet (20 pcs), without switch, mounting kit included



Thule Single Step Compact 12V



INFORMATION

- Motor / Manual 12V Motor
- Material Corrugated anodised aluminium
- Width 500 mm
- Weight 5.1 kg

USP'S

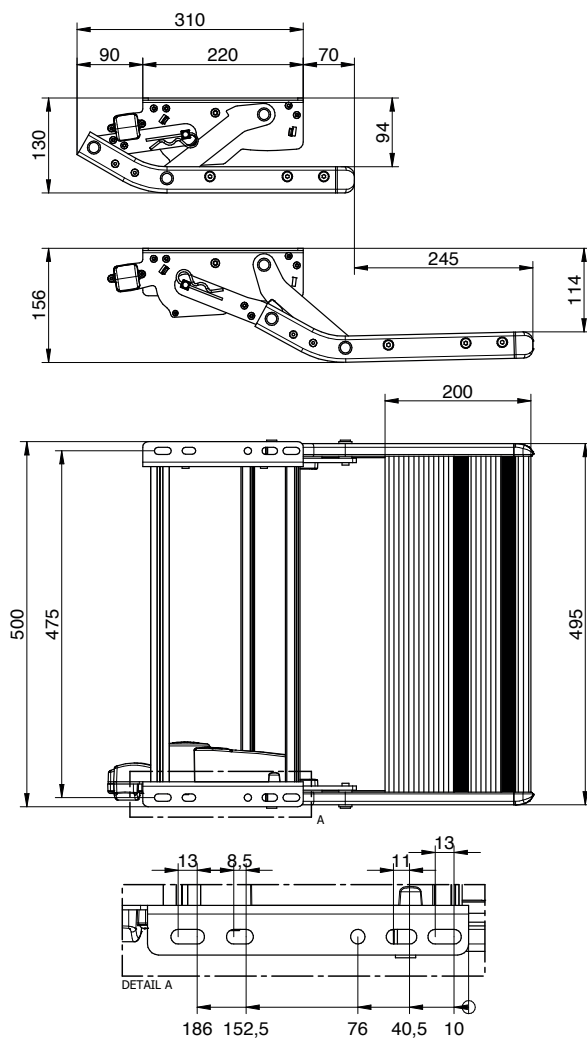
- Compact step underneath the vehicle
- Weight of only 5.1 kg
- Improved stability under light and heavy loads up to 300 kgs

FEATURES

- Addition of a compact model in the Thule Single Step product line-up
- Noise reduction during opening and closing of the step
- Better stability under load accomplished by reinforcements and design optimizations
- Conform to the EMV and CE standards. The formulated quality standards exceed European standards EN1646
- A switch for the connection of an optional warning lamp in the vehicle is supplied as standard, making it impossible to drive away with the step still out
- Accessories: Thule Relay Kit for Step 12V, Thule Control box for Step 12V

DIMENSIONS

Type	Step width	Total width	Distance between the fixation parts	Weight
500	495 mm	500 mm	475 mm +/- 2 mm	5.1 kg



ACCESSORIES

- Thule Relay Kit for Step 12V
- Thule Control Box for Step 12V

301888	Thule Single Step Compact 12V 500
301889	Thule Single Step Compact 12V OP
301890	Thule Single Step Compact 12V GB20

Thule Single Step 12V

Type 460 & 550 Alu



Steps



INFO

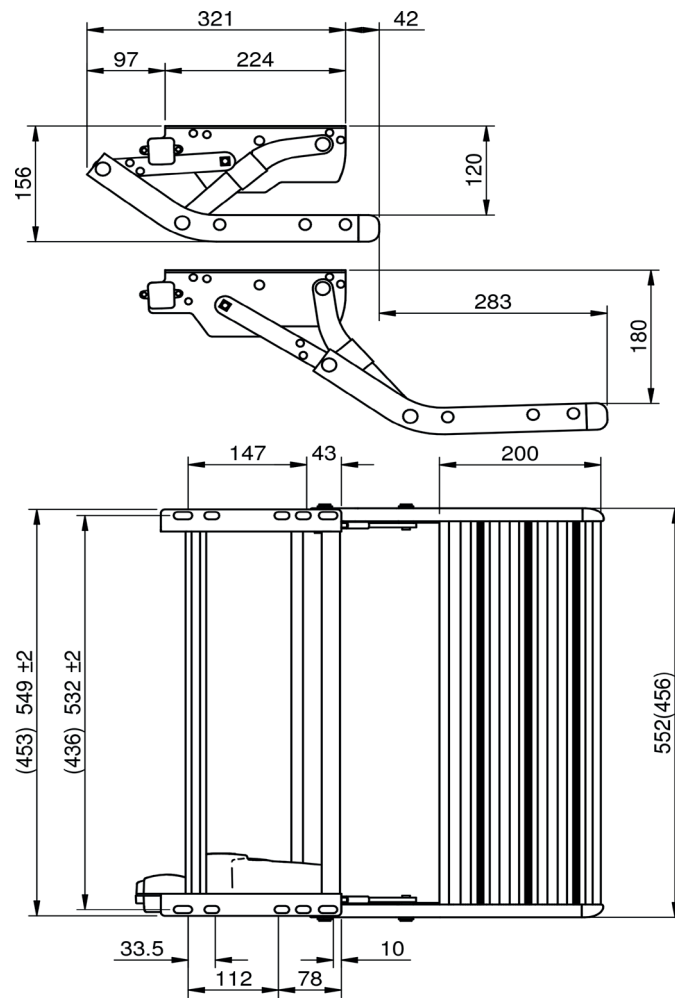
- Motor / Manual 12V Motor
- Width 460 mm - 550 mm
- Weight 4.5 kg - 4.8 kg
- Material Corrugated anodised aluminium, frame block galvanised steel

FEATURES

- Conform to the EMV and CE standards. The formulated quality standards exceed European standard EN1646
- A switch for the connection of an optional warning lamp in the vehicle is supplied as standard, making it impossible to drive away with the step still out

DIMENSIONS

Type	Step width	Total width	Distance between the fixation parts	Weight
460	456 mm	453 mm	436 mm +- 2 mm	4.5 kg
550	552 mm	549 mm	532 mm +- 2 mm	4.8 kg



ACCESSORIES

- Thule Relay Kit for Step 12V
- Thule Control Box for Step 12V

309969	Thule Single Step V15 12V - 460
309968	Thule Single Step V15 12V - 550



Thule Double Step 12V

Type 380, 440 & 500 Alu



INFO

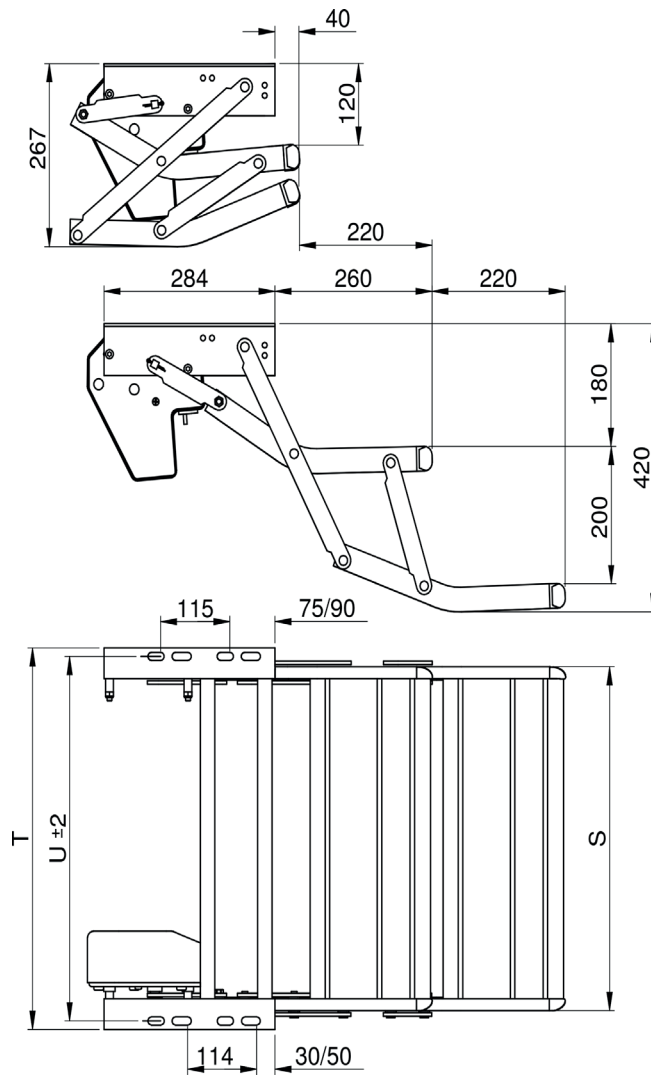
- Motor / Manual Motor
- Width 380 mm - 440 mm - 500 mm
- Weight 7 kg - 7.3 kg - 7.6 kg
- Material Corrugated anodised aluminium

FEATURES

- Conform to the EMV and CE standards. The formulated quality standards exceed European standard EN1646
- A switch for the connection of an optional warning lamp in the vehicle is supplied as standard, making it impossible to drive away with the step still out

DIMENSIONS

Type	Step width	Total width	Distance between the fixation parts	Weight
380	380 mm	435 mm	410 mm +- 2 mm	7 kg
440	446 mm	501 mm	476 mm +- 2 mm	7.3 kg
500	502 mm	557 mm	532 mm +- 2 mm	7.6 kg



ACCESSORIES

- Thule Relay Kit for Step 12V
- Thule Control Box for Step 12V

307571	Thule Double Step 12V - 380
307572	Thule Double Step 12V - 440
307579	Thule Double Step 12V - 500

Thule Relay Kit for Step 12V



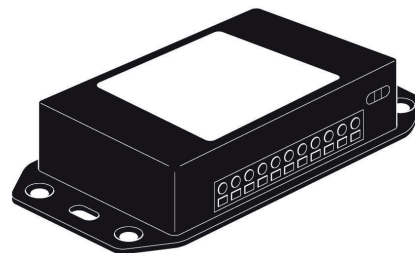
INFO

- Electronic relay kit for all Thule 12V entry steps
- Designed to connect to your vehicle battery to guarantee that the 12V step automatically closes when the motor starts to prevent you from driving away with the step still out

308200

Thule Relay Kit for Step 12V

Thule Control Box for Step 12V



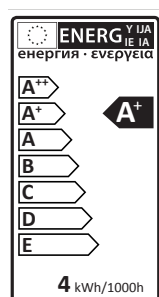
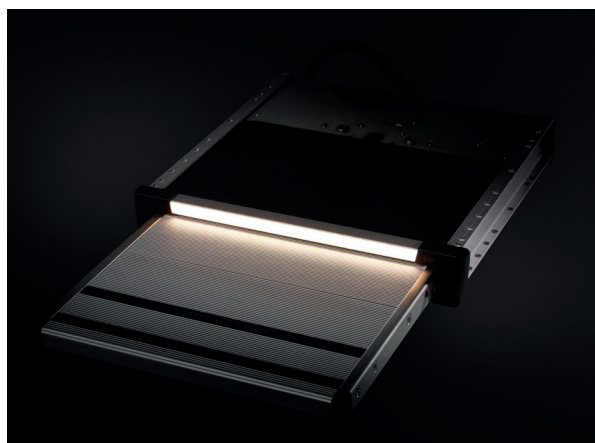
INFO

- For automatic retraction of any Thule 12V entry step when starting the engine
- The step will open and close automatically together with the vehicle's door for optimal comfort
- Connect to a selector switch which allows you to open the step permanently so you don't need to open and close the step every time

308812

Thule Control Box for Step 12V

Thule LED Kit for Slide-Out Step



USP'S

- Integrated and protected LED for optimal visibility of the footboard
- Retrofit: can be installed on Thule Slide-Out Step V12 12V, Thule Slide-Out Step V18 12V, Thule Slide-Out Step V19 12V Ducato | Jumper | Boxer and Thule Slide-Out Step V19 12V Crafter 2017

FEATURES

- IP67: protected for dust infiltration and the effects of immersion in water to 1 meter
 - 2 kits available:
 - for the Thule Slide-Out Steps Standard 12V (V12/V18)
 - for the Thule Slide-Out Step V19 12V Ducato | Jumper | Boxer | Crafter
 - Endcaps and aluminium front profile depend on type of step
 - Content:
 - 2 endcaps
 - front profile (670 mm)*
 - quick fit lens (670 mm)*
 - brush pile (670 mm)*
 - LED Strip (670 mm)*
- *For a 700 mm step. Cut to 515 mm for a 550 mm step. Cut to 370 mm for a 400 mm step



301477	Thule LED Kit for Slide-Out Step Standard 12V
301826	Thule LED Kit for Slide-Out Step V19 12V - Ducato Jumper Boxer Crafter

Mounting Kit for Thule Slide-Out Step

301877	Mounting Kit for Thule Slide-Out Step G2 12V - Ducato Jumper Boxer Euro 6D-Temp
301878	Mounting Kit for Thule Slide-Out Step G2 12V - Crafter 2017 - 400/700
301879	Mounting Kit for Thule Slide-Out Step G2 12V - Crafter 2017 - 550
301880	Mounting Kit for Thule Slide-Out Step G2 12V - Ducato < 2006
301881	Mounting Kit for Thule Slide-Out Step G2 12V - Sprinter > 05/2006 4WD/RWD Crafter 05/2006-2017
301885	Mounting Kit for Thule Slide-Out Step G2 12V - Sprinter > 2017 FWD - 550
301882	Mounting Kit for Thule Slide-Out Step G2 12V - Master > 2010
301883	Mounting Kit for Thule Slide-Out Step G2 12V - Transit < 2015
301884	Mounting Kit for Thule Slide-Out Step G2 12V - Transit > 2015

Thule Slide-Out Step Manual



Type 400 Alu



INFO

- Motor / Manual Manual
- Width 400 mm
- Weight 4.7 kg
- Material Corrugated anodised aluminium

FEATURES

- Locked in closed position
- Installation brackets: different heights: 9/35/62/88 mm

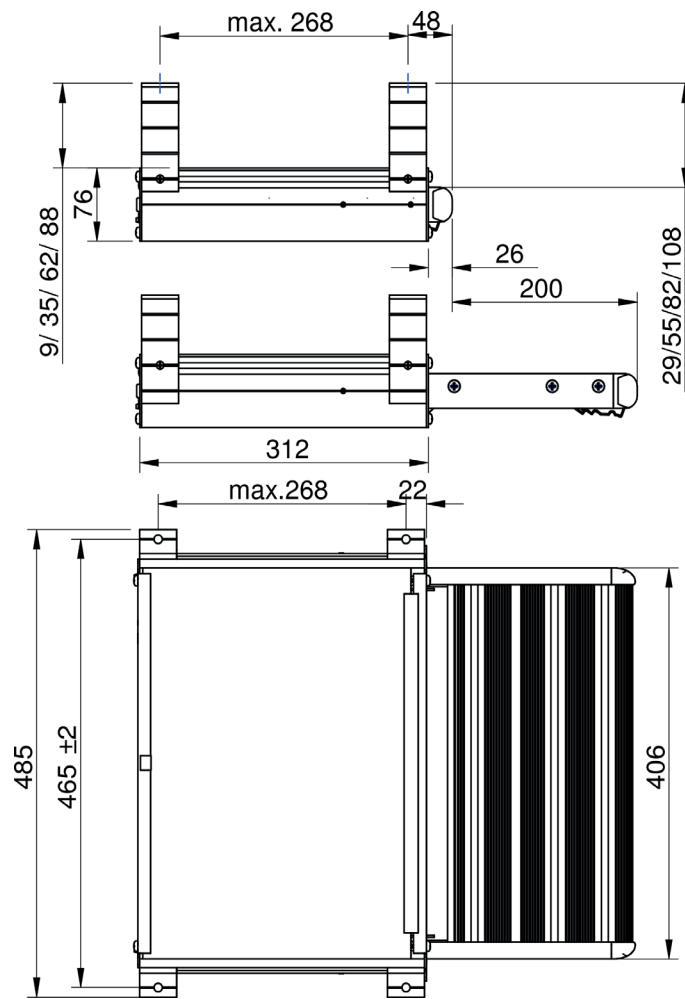
WARNING

- Not suitable for installation at the cabin door of the vehicle

DIMENSIONS

Type	Step width	Total width	Weight
400	406 mm	485 mm	4.7 kg

307564	Thule Slide-Out Step Manual - 400
--------	-----------------------------------



Thule Single Step Manual

Type 550 Alu



INFO

- Motor / Manual Manual
- Width 550 mm
- Weight 4.1 kg
- Material Corrugated anodised aluminium

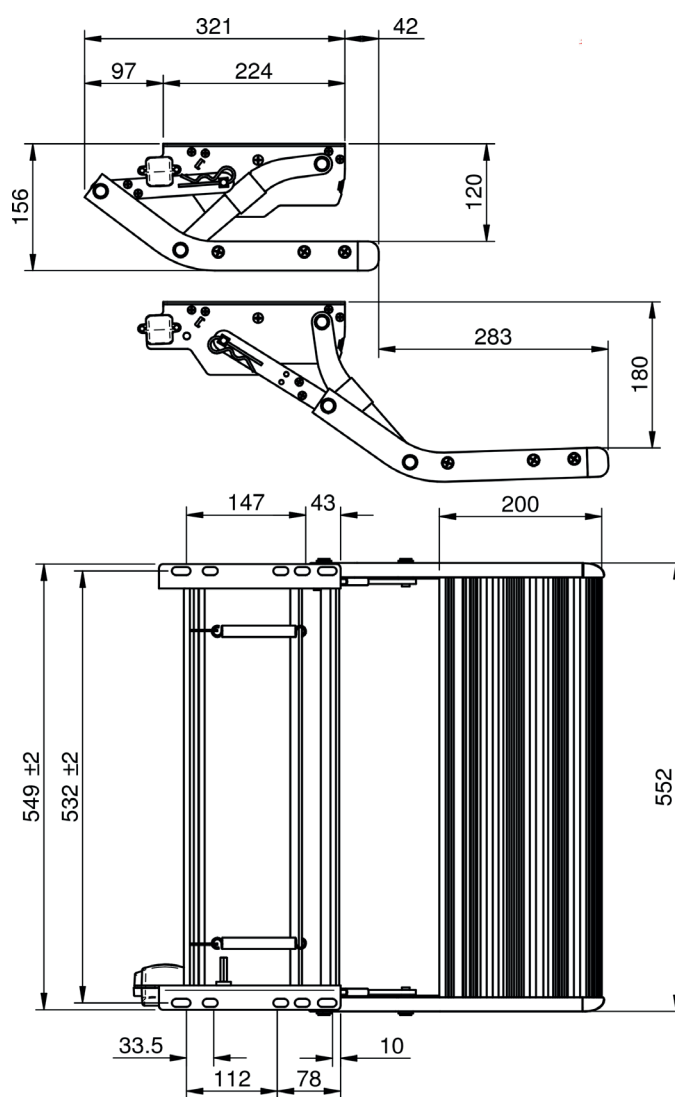
FEATURES

- A switch for the connection of a warning lamp in the vehicle is supplied as standard, making it impossible to drive away with the step still out

DIMENSIONS

Type	Step width	Weight
550	552 mm	4.1 kg

308766	Thule Single Step V10 Manual - 550
--------	------------------------------------



A series of horizontal lines for writing, consisting of 30 evenly spaced lines.