

N3000 series

spare part list

N3080

Front	2
Controls	30
Back	40

N3097

Front	6
Controls	34
Back	40

N3104

Front	10
Controls	34
Back	42

N3112

Front	14
Controls	34
Back	40

N3141

Front	18
Controls	38
Back	44

N3145

Front	22
Controls	32
Back	46

N3170

Front	26
Controls	32
Back	46

N3090

Front	4
Controls	32
Back	40

N3100

Front	8
Controls	32
Back	42

N3108

Front	12
Controls	32
Back	40

N3115

Front	16
Controls	36
Back	40

N3142

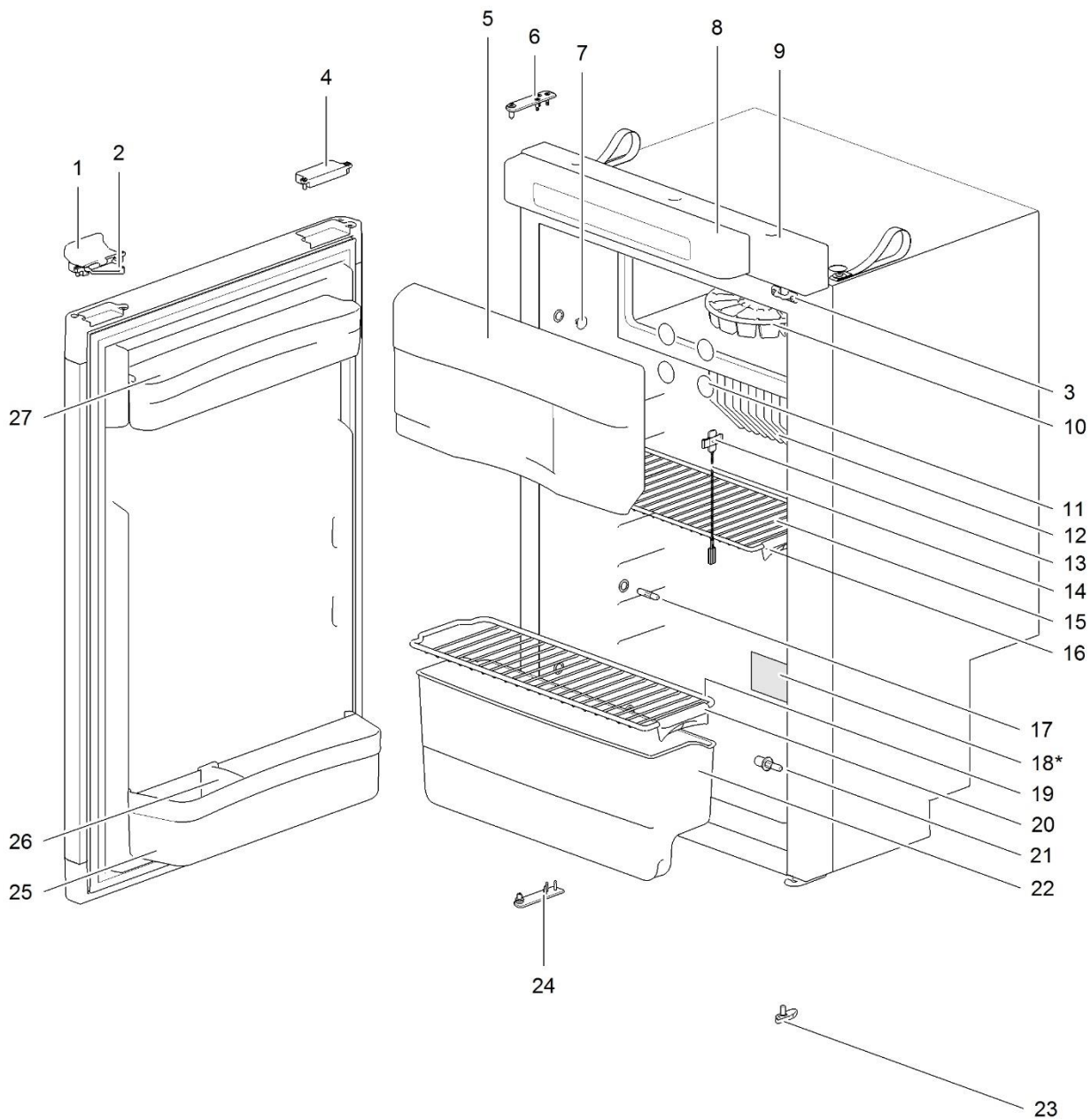
Front	20
Controls	38
Back	44

N3150

Front	24
Controls	34
Back	46

N3175

Front	28
Controls	34
Back	46



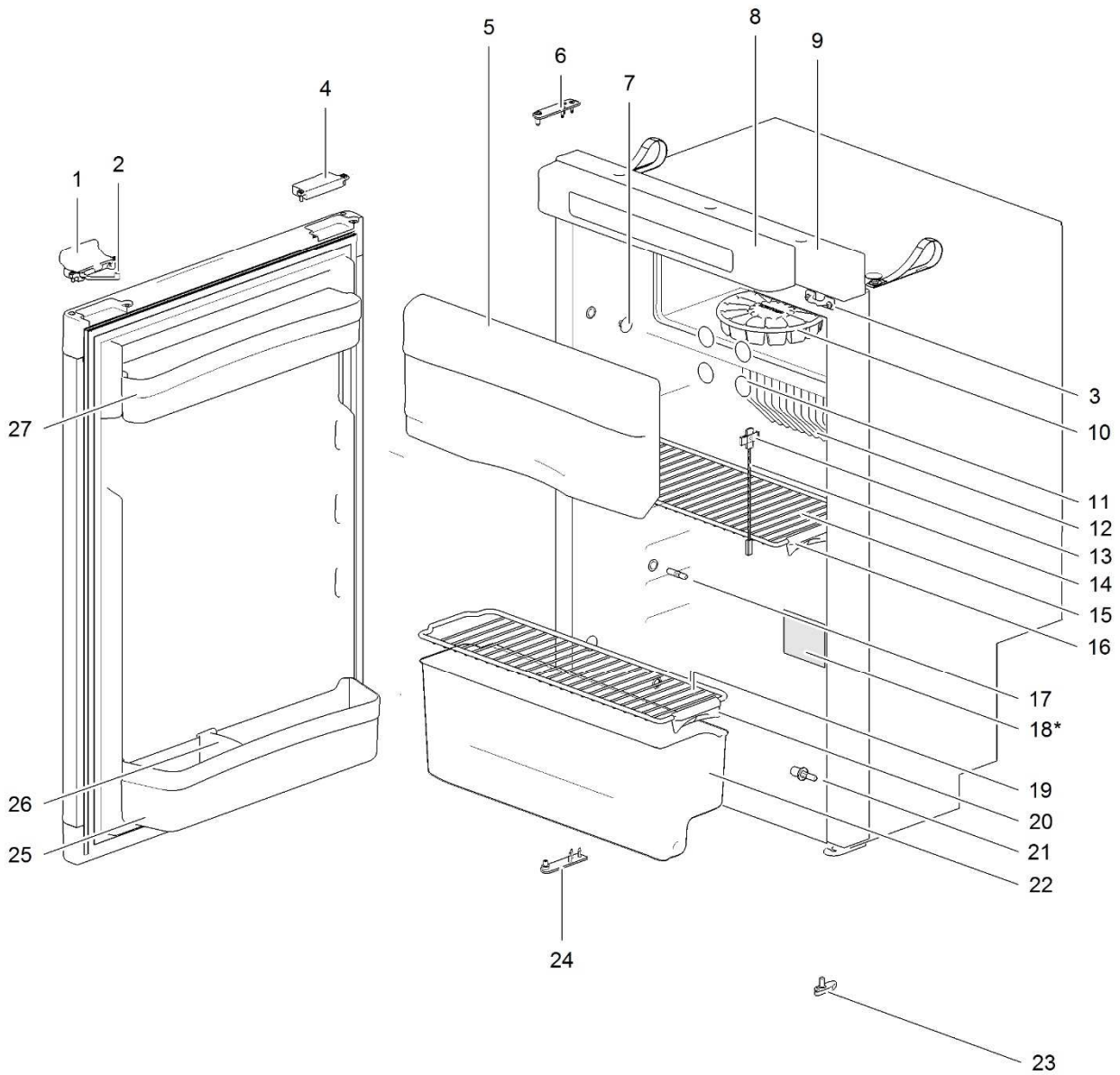
18*

Model No.	Type
Serie No.	Chambre Clé
230 VAC, 50/60 Hz, 150 W, 1.2 Vol., 1.40 m, 1.20 m, 1.20 m	
Classe d'énergie Niveau sonore Niveau de bruit Niveau de vibration	Niveau de vibration Niveau de bruit Niveau de vibration
Fonctionnalités Garantie de 10 ans Garantie de 10 ans Garantie de 10 ans	Garantie de 10 ans Garantie de 10 ans Garantie de 10 ans
No. de série Niveau de vibration Niveau de vibration	Niveau de vibration Niveau de vibration Niveau de vibration
SE 0863 BK2287	Part No. 834807
RECHARGE: N20 + 150 g, N20 + 150 g, N20 + 150 g	Niveau de vibration Niveau de vibration
CFCN HFCN: FREE FROST, FROST FREE	Niveau de vibration Niveau de vibration

LE974_N3080_0313-V02

		Single spare part number	Assembly spare part number	Items included	Colours available
1	Latch		626985	1, 2, 3	07, 27, 136
2	Storage strap	626986			07
3	Strike plate				
4	Pocket cover				
5	Freezer door (hinges included)	623036			08
6	Hinge plate				
7	Cap (2 pcs)	623622			08
8	Control panel				
9	Mounting box				
10	Ice cube tray				
11	Cap freezer bolt (12 pcs)	624479			08
12	Fin				
13	Fin clip	623059			
14	Thermistor	623077			
15	Shelf B	690800			08
16	Clip shelf small	623626			08
17	Hinge pin				
18	Identification label *				
19	Shelf A	690801			08
20	Clip shelf small	623626			08
21	Hinge pin				
22	Vegetable bin	690802			08
23	Latch bottom	624001			27
24	Hinge plate				
25	Door bin flat wide	690804			08
26	Bottle retainer	626989			12
27	Door bin flat shallow	690803			08

* When requesting information about spare parts for your fridge, be sure to always provide its serial number. You can find it below the barcode on the identification label.



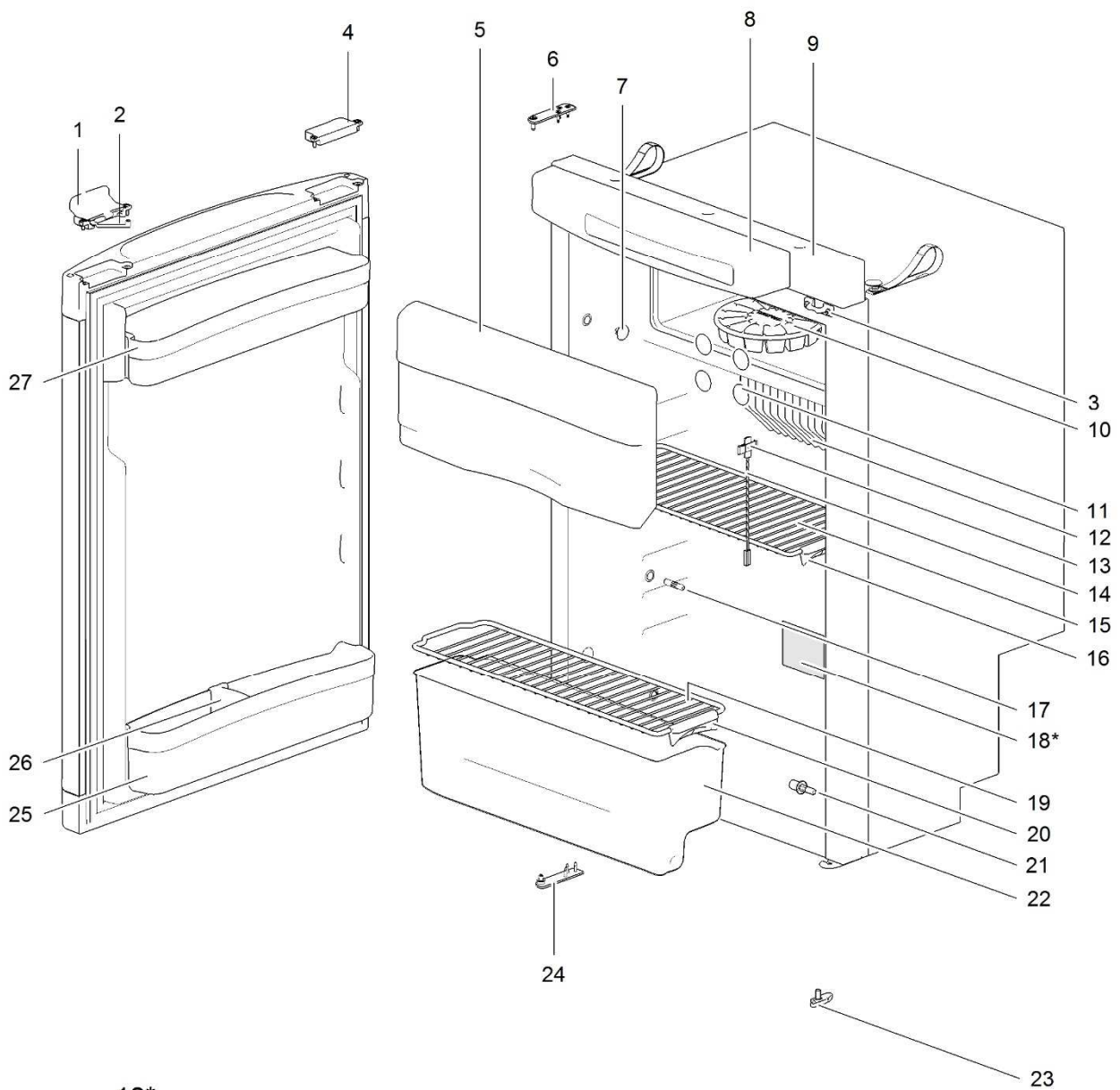
18*



LE978_N3090-front_0313-V02

		Single spare part number	Assembly spare part number	Items included	Colours available
1	Latch		626985	1, 2, 3	07, 27, 136
2	Storage strap	626986			07
3	Strike plate				
4	Pocket cover				
5	Freezer door (hinges included)	690852			
6	Hinge plate				
7	Cap (2 pcs)	623622			08
8	Control panel				
9	Mounting box				
10	Ice cube tray				
11	Cap freezer bolt (12 pcs)	624479			08
12	Fin				
13	Fin clip	623059			
14	Thermistor	623077			
15	Shelf D	690814			08
16	Clip shelf small	623626			08
17	Hinge pin				
18	Identification label *				
19	Shelf C	690815			08
20	Clip shelf small	623626			08
21	Hinge pin				
22	Vegetable bin	690816			08
23	Latch bottom	624001			27
24	Hinge plate				
25	Door bin flat wide	690818			08
26	Bottle retainer	626989			12
27	Door bin flat shallow	690817			08

* When requesting information about spare parts for your fridge, be sure to always provide its serial number. You can find it below the barcode on the identification label.



18*

Model No. Serie No.		Type G 13	CE
230 Volt / 50 Hz / 1500W / 12.5A / 1.60 m		13512	
Grille Volume Brille Volume Volume Base Brille Volume	300 L 27 L 27 L 27 L	Refrigerant: R600a Defrosting: Manual Volume Comp.: 1000 Frost-free: Yes Door: Right Material: ABS	
CE mark 040207		Part No. 04027	
ABSORBER: AHS+ 1NA g MAJORA: 10.7 g p max = 27 bar		020919 920L_3doorFridge_EMP	
CFC/HCFC FREE / FKW / POOR FREE		8013M100811	

LE988_N3097-front_0313-V02

		Single spare part number	Assembly spare part number	Items included	Colours available
1	Latch		626985	1, 2, 3	07, 27, 136
2	Storage strap	626986			07
3	Strike plate				
4	Pocket cover				
5	Freezer door (hinges included)	690852			
6	Hinge plate				
7	Cap (2 pcs)	623622			08
8	Control panel				
9	Mounting box				
10	Ice cube tray				
11	Cap freezer bolt (12 pcs)	624479			08
12	Fin				
13	Fin clip	623059			
14	Thermistor	623077			
15	Shelf D	690814			08
16	Clip shelf small	623626			08
17	Hinge pin				
18	Identification label *				
19	Shelf C	690815			08
20	Clip shelf small	623626			08
21	Hinge pin				
22	Vegetable bin	690816			08
23	Latch bottom	624001			27
24	Hinge plate				
25	Door bin flat wide	690824			08
26	Bottle retainer	626989			12
27	Door bin flat shallow	690823			08

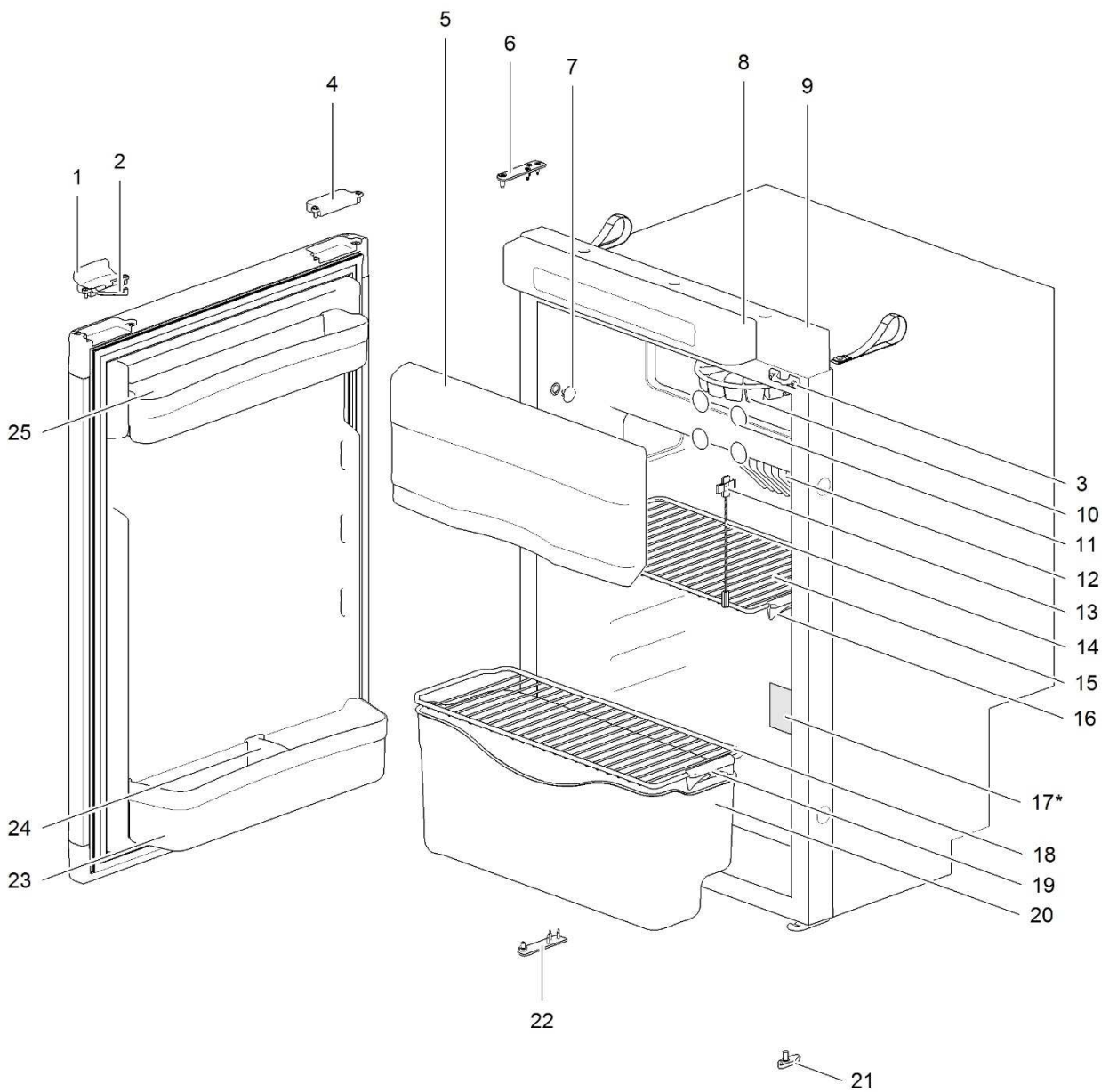
* When requesting information about spare parts for your fridge, be sure to always provide its serial number. You can find it below the barcode on the identification label.

		Single spare part number	Assembly spare part number	Items included	Colours available
1	Latch		626985	1, 2, 3	07, 27, 136
2	Storage strap	626986			07
3	Strike plate				
4	Pocket cover				
5	Freezer door (hinges included)	690852			
6	Hinge plate				
7	Cap (2 pcs)	623622			08
8	Control panel				
9	Mounting box				
10	Ice cube tray				
11	Cap freezer bolt (12 pcs)	624479			08
12	Fin				
13	Fin clip	623059			
14	Thermistor	623077			
15	Shelf C	690815			08
16	Clip shelf small	623626			08
17	Identification label *				
18	Shelf F	690828			08
19	Clip shelf large	623625			08
20	Vegetable bin	690829			08
21	Latch bottom	624001			27
22	Hinge plate				
23	Door bin flat wide	690818			08
24	Bottle retainer	626989			12
25	Door bin flat shallow	690817			08

* When requesting information about spare parts for your fridge, be sure to always provide its serial number. You can find it below the barcode on the identification label.

		Single spare part number	Assembly spare part number	Items included	Colours available
1	Latch		626985	1, 2, 3	07, 27, 136
2	Storage strap	626986			07
3	Strike plate				
4	Pocket cover				
5	Freezer door (hinges included)	690852			
6	Hinge plate				
7	Cap (2 pcs)	623622			08
8	Control panel				
9	Mounting box				
10	Ice cube tray				
11	Cap freezer bolt (12 pcs)	624479			08
12	Fin				
13	Fin clip	623059			
14	Thermistor	623077			
15	Shelf C	690815			08
16	Clip shelf small	623626			08
17	Identification label *				
18	Shelf F	690828			08
19	Clip shelf large	623625			08
20	Vegetable bin	690829			08
21	Latch bottom	624001			27
22	Hinge plate				
23	Door bin curved wide	690824			08
24	Bottle retainer	626989			12
25	Door bin curved shallow	690823			08

* When requesting information about spare parts for your fridge, be sure to always provide its serial number. You can find it below the barcode on the identification label.



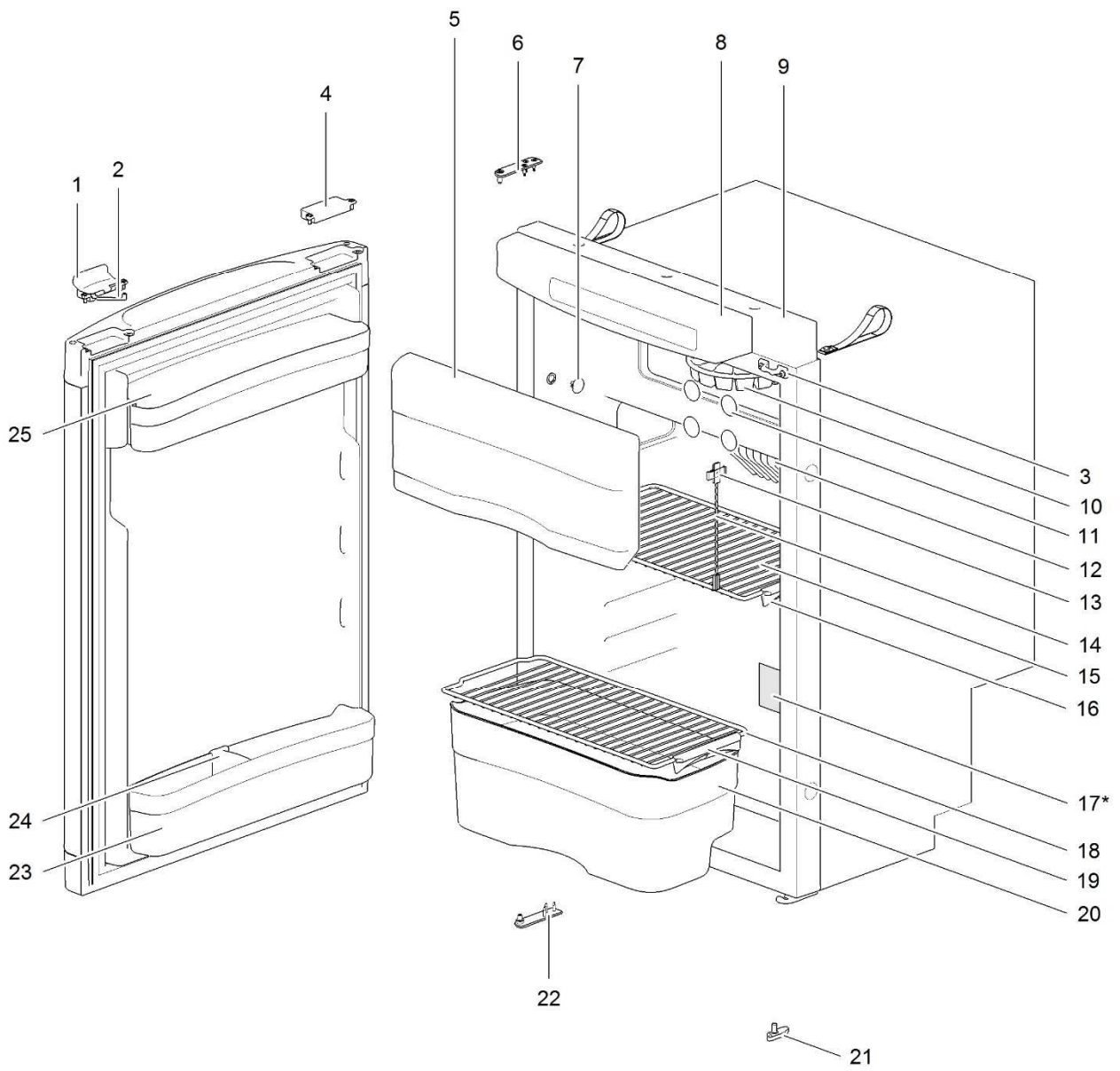
17*



LE991_N3108-front_0313-V01

		Single spare part number	Assembly spare part number	Items included	Colours available
1	Latch		626985	1, 2, 3	07, 27, 136
2	Storage strap	626986			07
3	Strike plate				
4	Pocket cover				
5	Freezer door (hinges included)	690852			
6	Hinge plate				
7	Cap (2 pcs)	623622			08
8	Control panel				
9	Mounting box				
10	Ice cube tray				
11	Cap freezer bolt (12 pcs)	624479			08
12	Fin				
13	Fin clip	623059			
14	Thermistor	623077			
15	Shelf E	690831			08
16	Clip shelf large	623625			08
17	Identification label *				
18	Shelf L	690832			08
19	Clip shelf small	623626			08
20	Vegetable bin	690833			08
21	Latch bottom	624000			27
22	Hinge plate				
23	Door bin flat wide	690818			08
24	Bottle retainer	626989			12
25	Door bin flat shallow	690817			08

* When requesting information about spare parts for your fridge, be sure to always provide its serial number. You can find it below the barcode on the identification label.



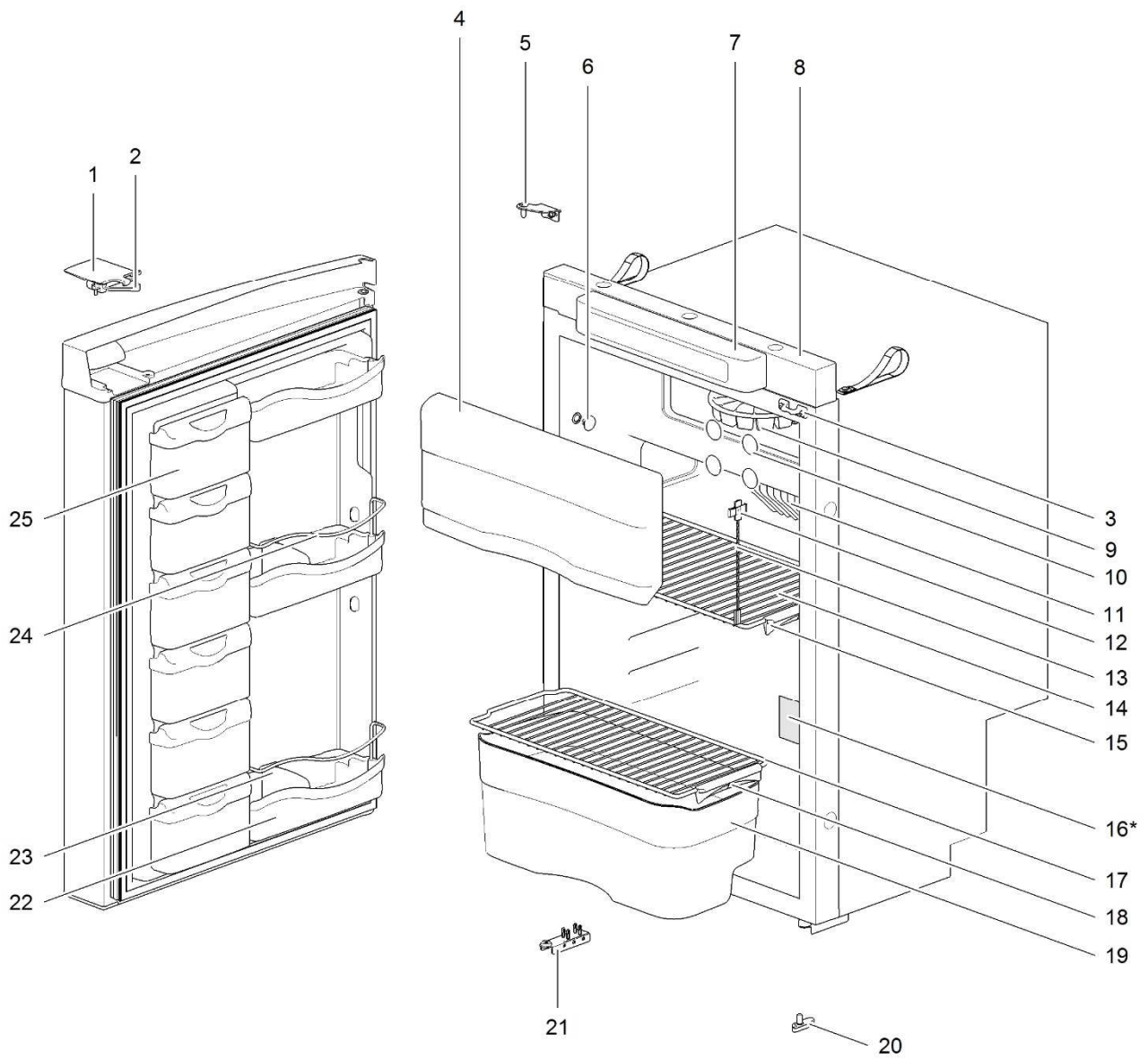
17*



LE992_N3112-front_0313-V02

		Single spare part number	Assembly spare part number	Items included	Colours available
1	Latch		626985	1, 2, 3	07, 27, 136
2	Storage strap	626986			07
3	Strike plate				
4	Pocket cover				
5	Freezer door (hinges included)	690852			
6	Hinge plate				
7	Cap (2 pcs)	623622			08
8	Control panel LED				
9	Mountingbox				
10	Ice cube tray				
11	Cap freezer bolt (12 pcs)	624479			08
12	Fin				
13	Fin clip	623059			
14	Thermistor	623077			
15	Shelf E	690831			08
16	Clip shelf large	623625			08
17	Identification label *				
18	Shelf E	690831			08
19	Clip shelf large	623625			08
20	Vegetable bin	690829			08
21	Latch bottom	624001			27
22	Hinge plate				
23	Door bin curved wide	690824			08
24	Bottle retainer	626989			12
25	Door bin curved shallow	690823			08

* When requesting information about spare parts for your fridge, be sure to always provide its serial number. You can find it below the barcode on the identification label.



16*



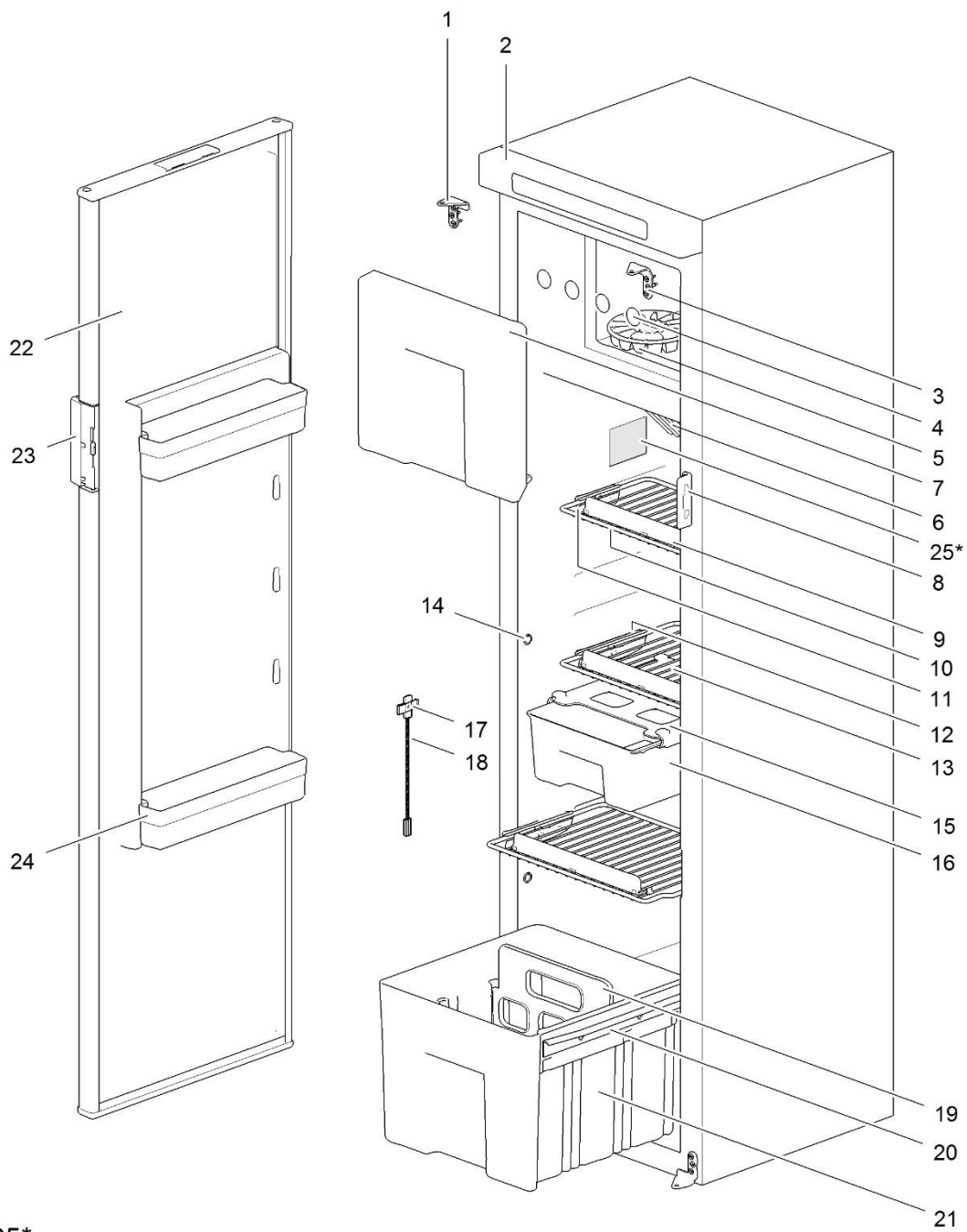
LE993_N3115-Front_0313-V02

		Single spare part number	Assembly spare part number	Items included	Colours available
1	Latch		629744	1, 2, 3	90
2	Storage strap	626986			07
3	Strike plate				
4	Freezer door (hinges included)	690852			
5	Hinge plate				
6	Cap (2 pcs)	623622 (Contains 2 caps)			08
7	Control panel				
8	Mounting box				
9	Ice cube tray				
10	Cap freezer bolt (12 pcs)	624479			08
11	Fin				
12	Fin clip	623059			
13	Thermistor	623077			
14	Shelf E	690831			08
15	Clip shelf large	623625			08
16	Identification label *				
17	Shelf E	690831			08
18	Clip shelf large	623625			08
19	Vegetable bin	690834			08
20	Latch bottom	629721			
21	Hinge plate				
22	Door bin	629745			12
23	Bottle retainer	626989			12
24	Rail				
25	Door bin small	629747			12

* When requesting information about spare parts for your fridge, be sure to always provide its serial number. You can find it below the barcode on the identification label.

	Single spare part number	Assembly spare part number	Items included	Colours available
1	Hinge plate left	691111	1, 3	27
2	Control panel			
3	Hinge plate right			
4	Cap freezer bolt (12 pcs)	624479		08
5	Ice cube tray			
6	Fin			
7	Freezer door (hinges included)	691112		
8	Door lock plate			
9	Shelf food retainer	691114		08
10	Shelf 340x182	691115		08
11	Clip shelf small	623626		08
12	Clip shelf large	623625		08
13	Shelf 340x241	691116		08
14	Cap (2 pcs)	623622		08
15	Guiding cover	691118		08
16	Slide-out box	691119		08, 12
17	Fin clip	623059		
18	Thermistor	623077		
19	Shelf 340x268	691117		08
20	Divider bar			
21	Drawer handle			
22	Drawer divider	691120		12
23	Drawer guides	691123		
24	Drawer door			
25	Cabinet door			
26	Door handle	691113	8, 26	
27	Door bin	691121		08, 12
28	Identification label*			

* When requesting information about spare parts for your fridge, be sure to always provide its serial number. You can find it below the barcode on the identification label.



25*

WITTEN Model No. <input type="text"/> Type LE 11 Serie No. <input type="text"/> Chassis 03.000 03	
230 VAC 50/60 Hz 150 W 12 VDC 140 W 130112	
Gross Volume Netto Volume Volumen Brutto Brutto Volumen	100 L 70 L 100 L 100 L
Consumer Volume Netto Netto Volume Volumen Consumo Volumen Consumo	70 L 70 L 70 L 70 L
Part No. Part No. Part No. Part No.	100 100 100 100
SPECIMEN	
ED13N1000611	
LE 1101 0N1207 Part No. 031407	
ABSORBER: NH3 = 154.8 g H2C604 = 10.1 g g_max = 21.5kg	
CFC0 HFC0 FROE / FROE FROE FROE	

LE1110_N3142-front_0214-V03

	Single spare part number	Assembly spare part number	Items included	Colours available
1	Hinge plate left	691111	1, 3	27
2	Control panel			
3	Hinge plate right			
4	Cap freezer bolt (12 pcs)	624479		08
5	Ice cube tray			
6	Fin			
7	Freezer door (hinges included)	691112		
8	Door lock plate			
9	Shelf food retainer	691114		08
10	Shelf 340x182	691115		08
11	Clip shelf small	623626		08
12	Clip shelf large	623625		08
13	Shelf 340x241	691116		08
14	Cap (2 pcs)	623622		08
15	Guiding cover	691118		08
16	Slide-out box	691119		08, 12
17	Fin clip	623059		
18	Thermistor	623077		
19	Drawer divider	691120		12
20	Drawer guides	691122		
21	Drawer			
22	Cabinet door			
23	Door handle	691113	8, 23	
24	Door bin	691121		08, 12
25	Identification label*			

* When requesting information about spare parts for your fridge, be sure to always provide its serial number. You can find it below the barcode on the identification label.

		Single spare part number	Assembly spare part number	Items included	Colours available
1	Storage strap	626986			07
2	Latch		626985	1, 2, 3	07, 27, 136
3	Strike plate				
4	Pocket cover				
5	Hinge center				
6	Hinge plate				
7	Cap (2 pcs)	623622			08
8	Cap freezer bolt (12 pcs)	624479			08
9	Shelf freezer G	690836			08
10	Ice cube tray				
11	Control panel				
12	Fin				
13	Shelf H	690837			08
14	Clip shelf small	623626			08
15	Fin clip	623059			
16	Thermistor	623077			
17	Identification label *				
18	Shelf I	690838			08
19	Clip shelf large	623625			08
20	Vegetable bin	690829			08
21	Latch bottom	624001			27
22	Hinge plate				
23	Door bin flat wide	690804			08
24	Bottle retainer	626989			12

* When requesting information about spare parts for your fridge, be sure to always provide its serial number. You can find it below the barcode on the identification label.

		Single spare part number	Assembly spare part number	Items included	Colours available
1	Storage strap	626986			07
2	Latch		626985	1, 2, 3	07, 27, 136
3	Strike plate				
4	Pocket cover				
5	Hinge center				
6	Hinge plate				
7	Cap	623622 (Contains 2 caps)			08
8	Cap freezer bolt (12 pcs)	624479			08
9	Shelf freezer G	690836			08
10	Ice cube tray				
11	Control panel				
12	Fin				
13	Shelf H	690837			08
14	Clip shelf small	623626			08
15	Fin clip	623059			
16	Thermistor	623077			
17	Identification label *				
18	Shelf I	690838			08
19	Clip shelf large	623625			08
20	Vegetable bin	690829			08
21	Latch bottom	624001			27
22	Hinge plate				
23	Door bin curved wide	690842			08
24	Bottle retainer	626989			12
25	Door bin curved shallow	690841			08

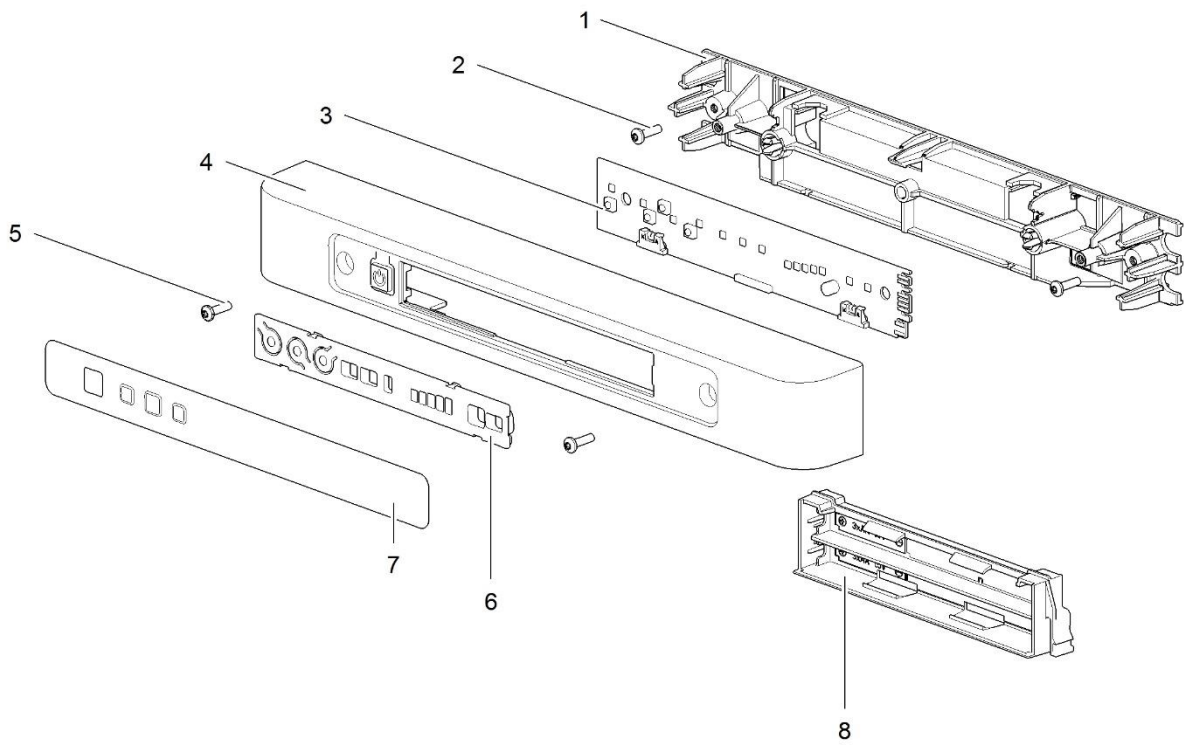
* When requesting information about spare parts for your fridge, be sure to always provide its serial number. You can find it below the barcode on the identification label.

		Single spare part number	Assembly spare part number	Items included	Colours available
1	Storage strap	626986			07
2	Latch		626985	1, 2, 3	07, 27, 136
3	Strike plate				
4	Pocket cover				
5	Hinge center				
6	Hinge plate				
7	Cap (2 pcs)	623622			08
8	Cap freezer bolt (12 pcs)	624479			08
9	Shelf freezer H	690843			08
10	Ice cube tray				
11	Control panel				
12	Fin				
13	Shelf K	690844			08
14	Clip shelf large	623625			08
15	Fin clip	623059			
16	Thermistor	623077			
17	Identification label *				
18	Shelf J	690845			08
19	Clip shelf large	623625			08
20	Vegetable bin	690829			08
21	Latch bottom	624001			27
22	Hinge plate				
23	Door bin flat wide	690804			08
24	Bottle retainer	626989			12

* When requesting information about spare parts for your fridge, be sure to always provide its serial number. You can find it below the barcode on the identification label.

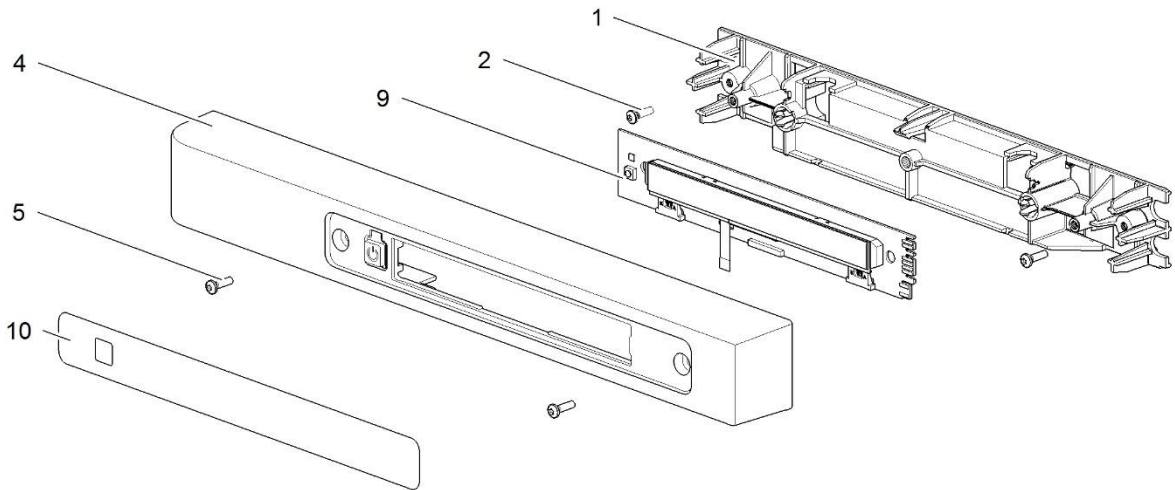
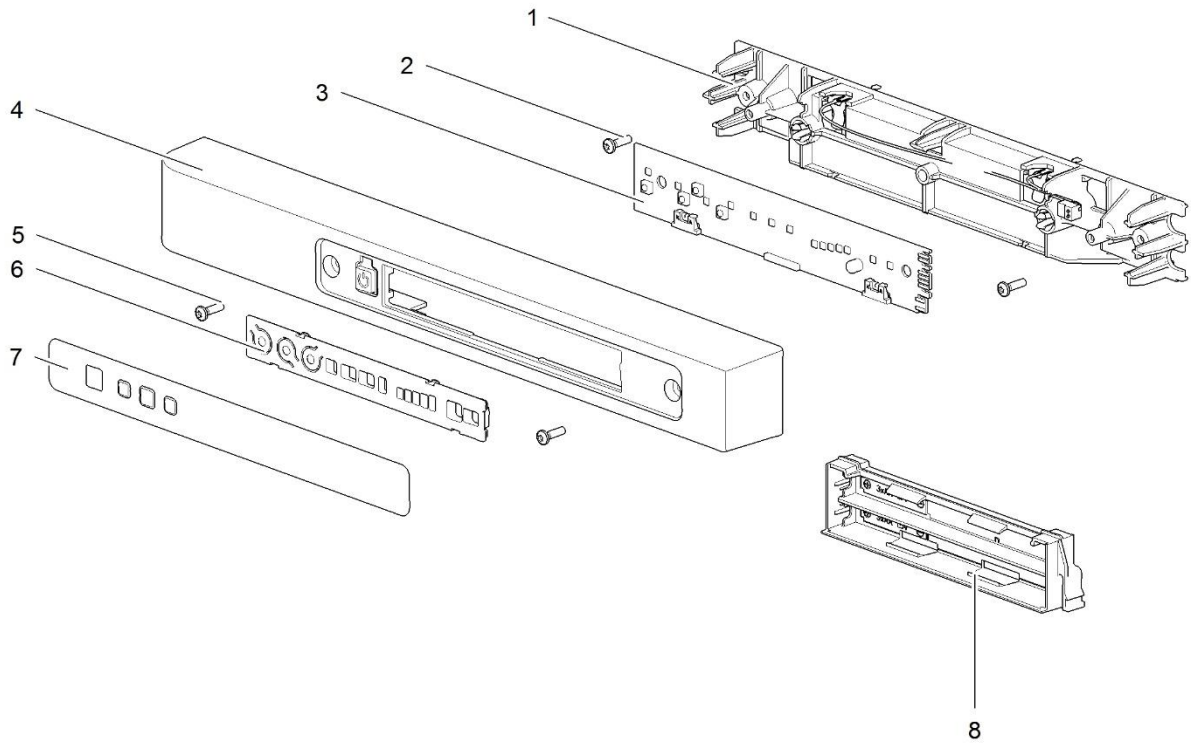
		Single spare part number	Assembly spare part number	Items included	Colours available
1	Storage strap	626986			07
2	Latch		626985	1, 2, 3	07, 27, 136
3	Strike plate				
4	Pocket cover				
5	Hinge center				
6	Hinge plate				
7	Cap (2 pcs)	623622			08
8	Cap freezer bolt (12 pcs)	624479			08
9	Shelf freezer H	690843			08
10	Ice cube tray				
11	Control panel				
12	Fin				
13	Shelf K	690844			08
14	Clip shelf large	623625			08
15	Fin clip	623059			
16	Thermistor	623077			
17	Identification label *				
18	Shelf J	690845			08
19	Clip shelf large	623625			08
20	Vegetable bin	690829			08
21	Latch bottom	624001			27
22	Hinge plate				
23	Door bin curved wide	690842			08
24	Bottle retainer	626989			12
25	Door bin curved shallow	690841			08

* When requesting information about spare parts for your fridge, be sure to always provide its serial number. You can find it below the barcode on the identification label.



		Single spare part number	Assembly spare part number	Items included	Colours available
1	Technical panel flat*	690806			
2	Screws				
3	PCB LED DM				
	< 25-03-2013 Serial number < E084P.....	Replace also Powerboard 690811	690805	3, 7	
	> 25-03-2013 and < 03-03-2014		690805	3, 7	
	≥ 03-03-2014 Serial number ≥ E062R1000006		691126	3, 7	
4	Housing flat*	690807			
5	Screws				
6	Overlay LED				
	< 03-03-2014		690808	6, 7	
	≥ 03-03-2014 Serial number ≥ E062R1000006		691105	6, 7	
7	Sticker LED				
	< 03-03-2014	690809			
	≥ 03-03-2014 Serial number ≥ E062R1000006	691106			
8	Battery hatch				
	Battery pack	690225			07, 27

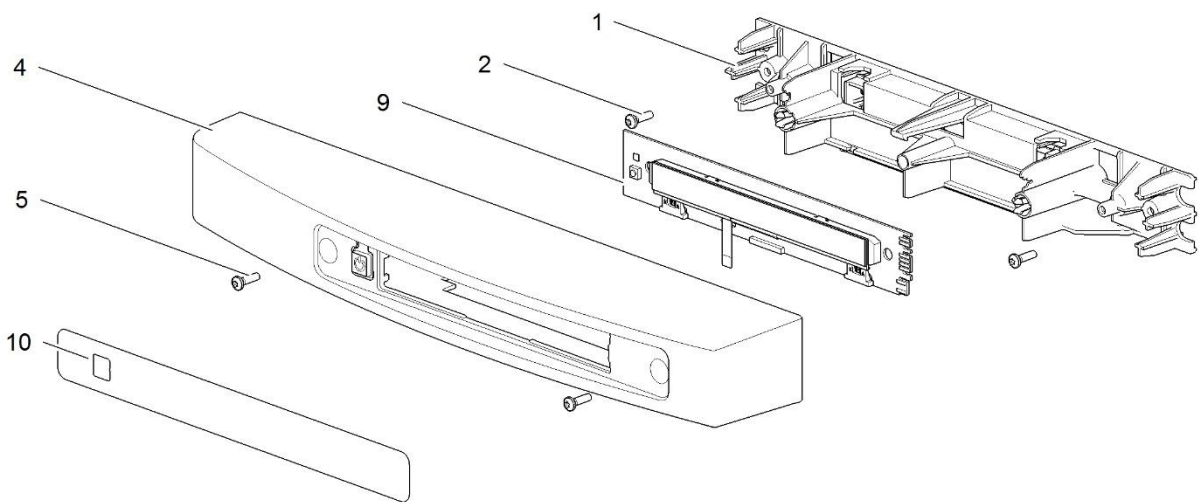
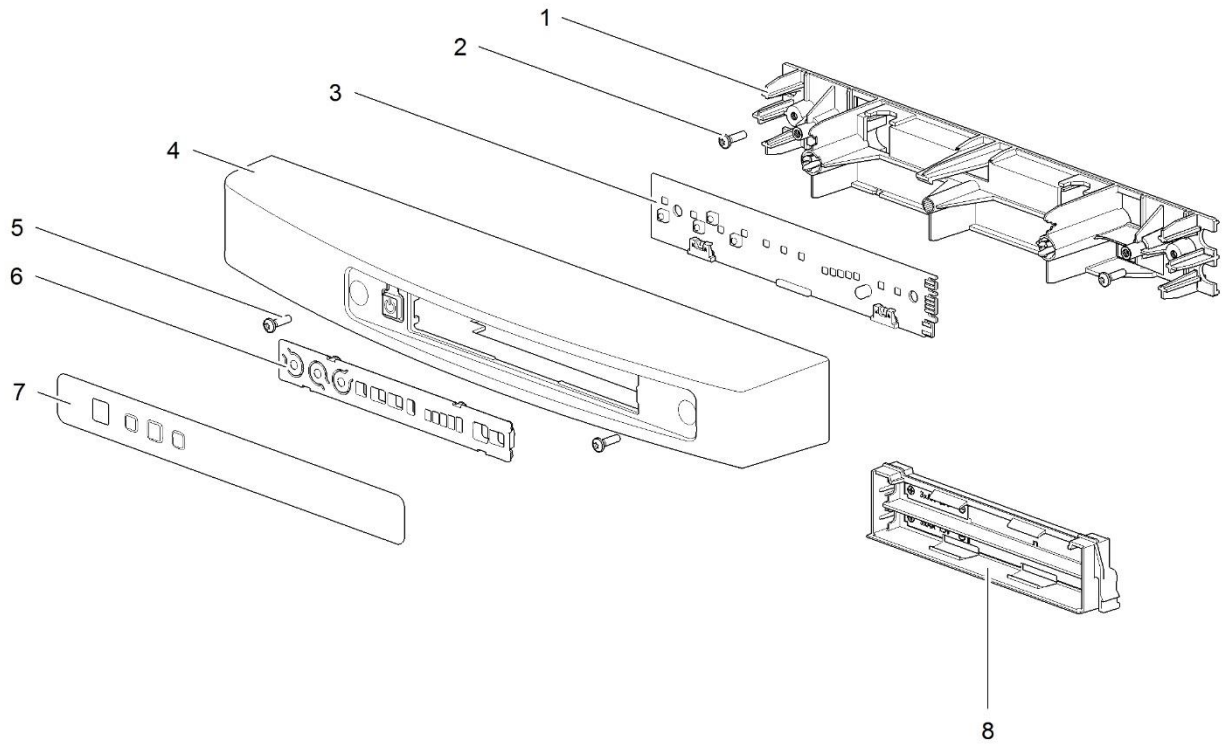
* When ordering this item number, please order also the Sticker, check number 7 for the correct version



LE1004_Control Panel-flat525_0913-V03

		Single spare part number	Assembly spare part number	Items included	Colours available
1	Technical panel flat*				
	LED	690806			
	LCD	690846			
2	Screws				
3	PCB LED DM				
	< 25-03-2013 Serial number < E084P.....	Replace also Powerboard (690811)	690805	3, 7	
	> 25-03-2013 and < 03-03-2014		690805	3, 7	
	≥ 03-03-2014 Serial number ≥ E062R1000006		691126	3, 7	
4	Housing flat*				
	LED - left hinged	690820			07, 27, 136
	LED - right hinged	690819			07, 27, 136
	LCD - left hinged	690848			07, 27, 136
	LCD - right hinged	690847			07, 27, 136
5	Screws				
6	Overlay LED				
	< 03-03-2014		690808	6, 7	
	≥ 03-03-2014 Serial number ≥ E062R1000006		691105	6, 7	
7	Sticker LED				
	< 03-03-2014	690809			
	≥ 03-03-2014 Serial number ≥ E062R1000006	691106			
8	Battery hatch				
	Battery pack	690225			07, 27
9	PCB LCD DM				
	< 25-03-2013 Serial number < E084P.....	Replace also Powerboard (690811)	690821	9, 10	
	< 03-03-2014		690821	9, 10	
	≥ 03-03-2014 Serial number ≥ E062R1000006		691108	9, 10	
10	Sticker LCD				
	< 03-03-2014	690822			
	≥ 03-03-2014 Serial number ≥ E062R1000006	691110			

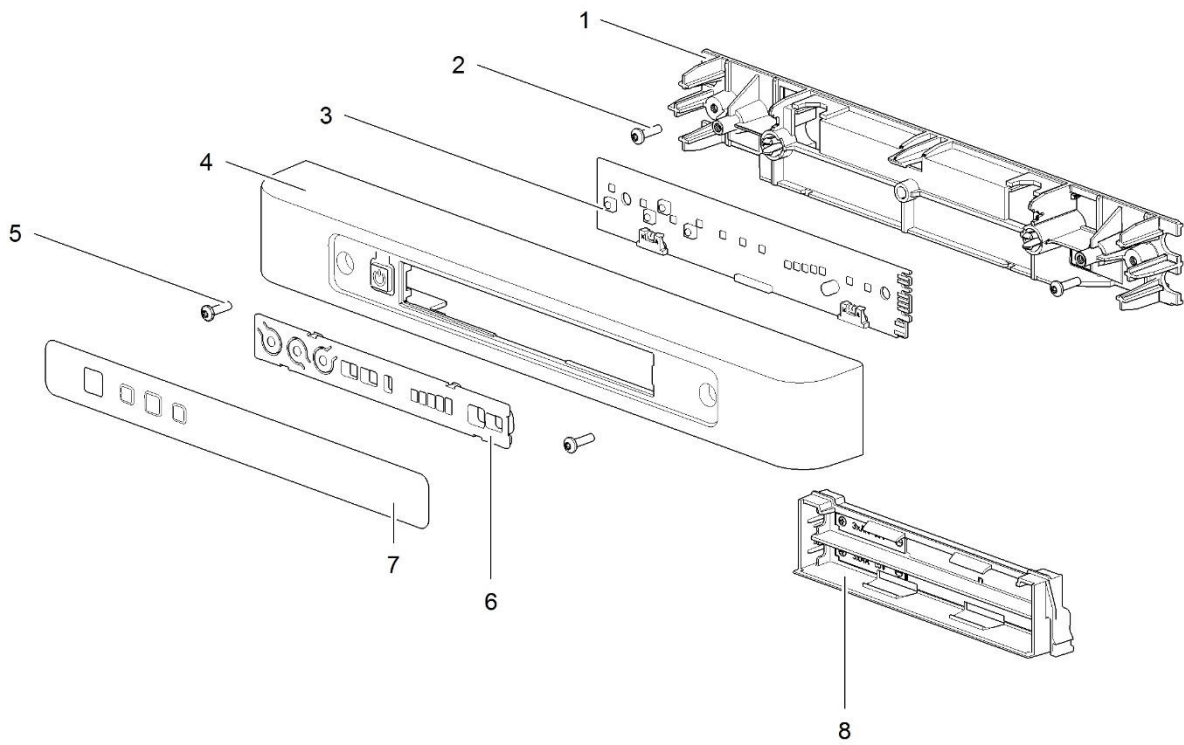
* When ordering this item number, please order also the Sticker, check number 7 (for LED) or number 10 (for LCD) for the correct version



LE1005_Control_Panel-curved525_0913-V03

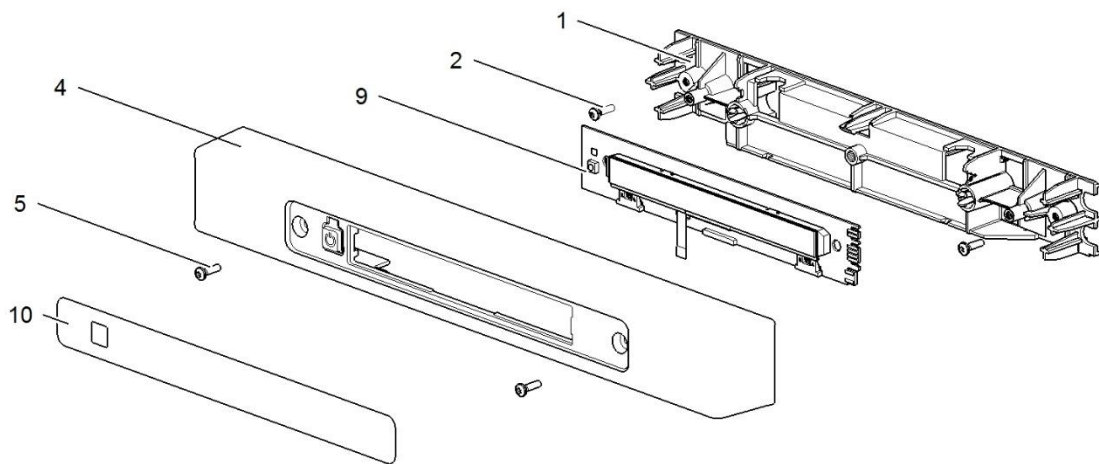
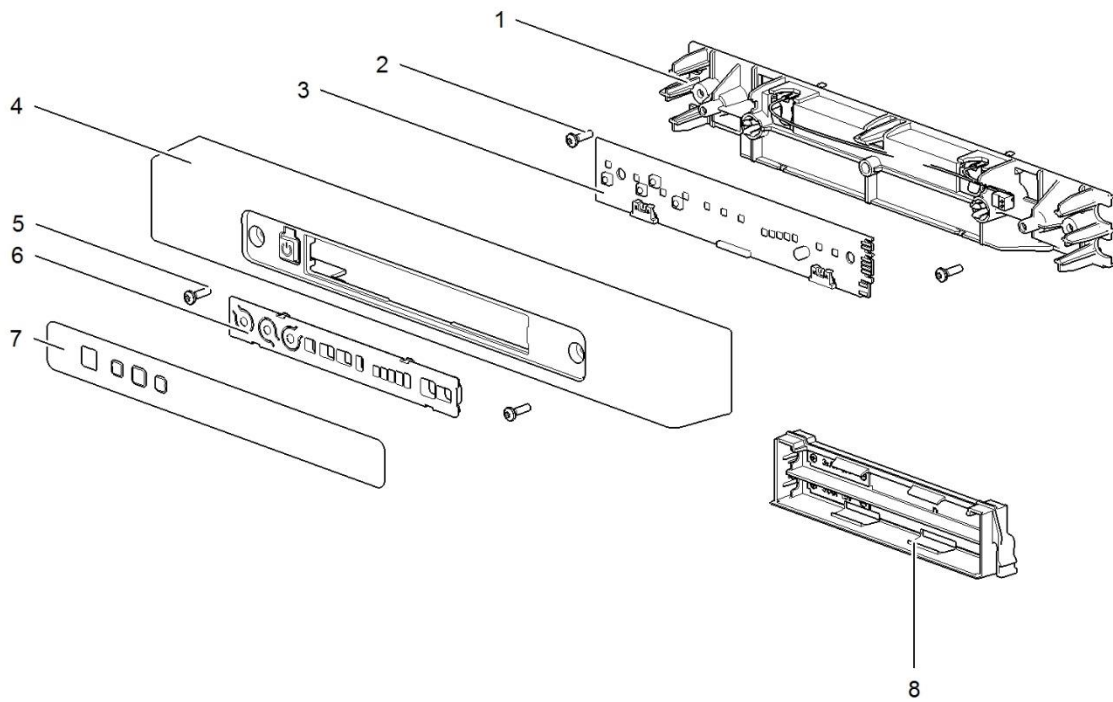
		Single spare part number	Assembly spare part number	Items included	Colours available
1	Technical panel curved*				
	LED	690825			
	LCD	690849			
2	Screws				
3	PCB LED DM				
	< 25-03-2013 Serial number < E084P.....	Replace also Powerboard (690811)	690805	3, 7	
	> 25-03-2013 and < 03-03-2014		690805	3, 7	
	≥ 03-03-2014 Serial number ≥ E062R1000006		691126	3, 7	
4	Housing curved*				
	LED - left hinged	690827			07, 27, 136
	LED - right hinged	690826			07, 27, 136
	LCD - left hinged	690851			07, 27, 136
	LCD - right hinged	690850			07, 27, 136
5	Screws				
6	Overlay LED				
	< 03-03-2014		690808	6, 7	
	≥ 03-03-2014 Serial number ≥ E062R1000006		691105	6, 7	
7	Sticker LED				
	< 03-03-2014	690809			
	≥ 03-03-2014 Serial number ≥ E062R1000006	691106			
8	Battery hatch				
	Battery pack	690225			07, 27
9	PCB LCD DM				
	< 25-03-2013 Serial number < E084P.....	Replace also Powerboard (690811)	690821	9, 10	
	< 03-03-2014		690821	9, 10	
	≥ 03-03-2014 Serial number ≥ E062R1000006		691108	9, 10	
10	Sticker LCD				
	< 03-03-2014	690822			
	≥ 03-03-2014 Serial number ≥ E062R1000006	691110			

* When ordering this item number, please order also the Sticker, check number 7 (for LED) or number 10 (for LCD) for the correct version



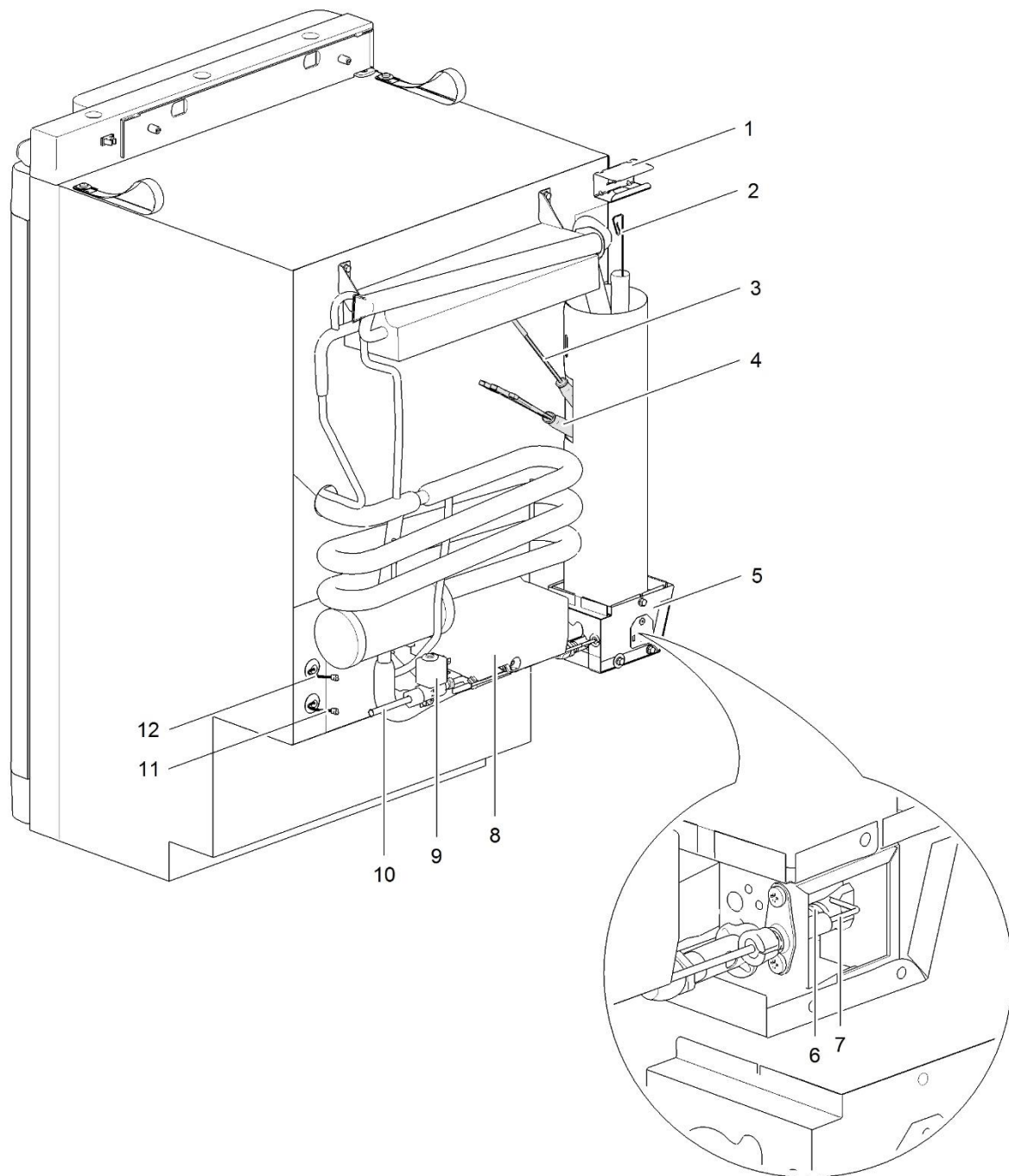
		Single spare part number	Assembly spare part number	Items included	Colours available
1	Technical panel flat*	690806			
2	Screws				
3	PCB LED DM				
	< 25-03-2013 Serial number < E084P.....	Replace also Powerboard (690811)	690805	3, 7	
	> 25-03-2013 and < 03-03-2014		690805	3, 7	
	≥ 03-03-2014 Serial number ≥ E062R1000006		691126	3, 7	
4	Housing flat*	690835			07, 27, 136
5	Screws				
6	Overlay LED				
	< 03-03-2014		690808	6, 7	
	≥ 03-03-2014 Serial number ≥ E062R1000006		691105	6, 7	
7	Sticker LED				
	< 03-03-2014	690809			
	≥ 03-03-2014 Serial number ≥ E062R1000006	691106			
8	Battery hatch				
	Battery pack	690225			07, 27

* When ordering this item number, please order also the Sticker, check number 7 for the correct version



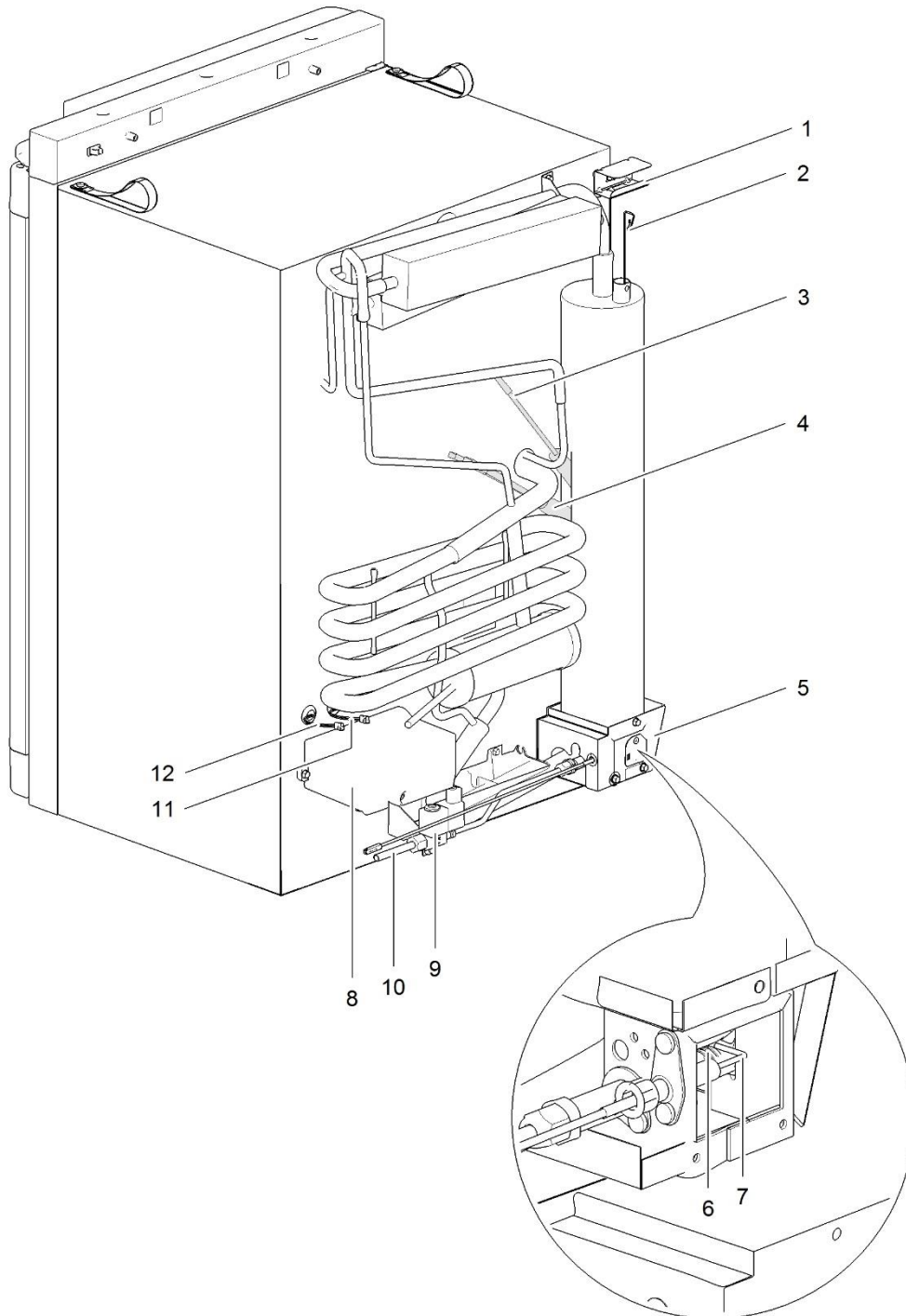
LE1113_Control Panel-flat418_1013-V01

	Single spare part number	Assembly spare part number	Items included	Colours available
1	Technical panel flat			
	LED	691102	1, 7	
	LCD	691107	1, 10	
2	Screws			
3	PCB LED DM	691126	3, 7	
	PCB LED+ DM	691103	3, 7	
4	Housing flat black			
	LED	691104	4, 7	27
	LCD	691109	4, 10	27
5	Screws			
6	Overlay LED	691105	6, 7	
7	Sticker LED	691106		
8	Battery hatch			
	Battery pack	690225		07, 27
9	PCB LCD DM	691108	9, 10	
10	Sticker LCD	691110		



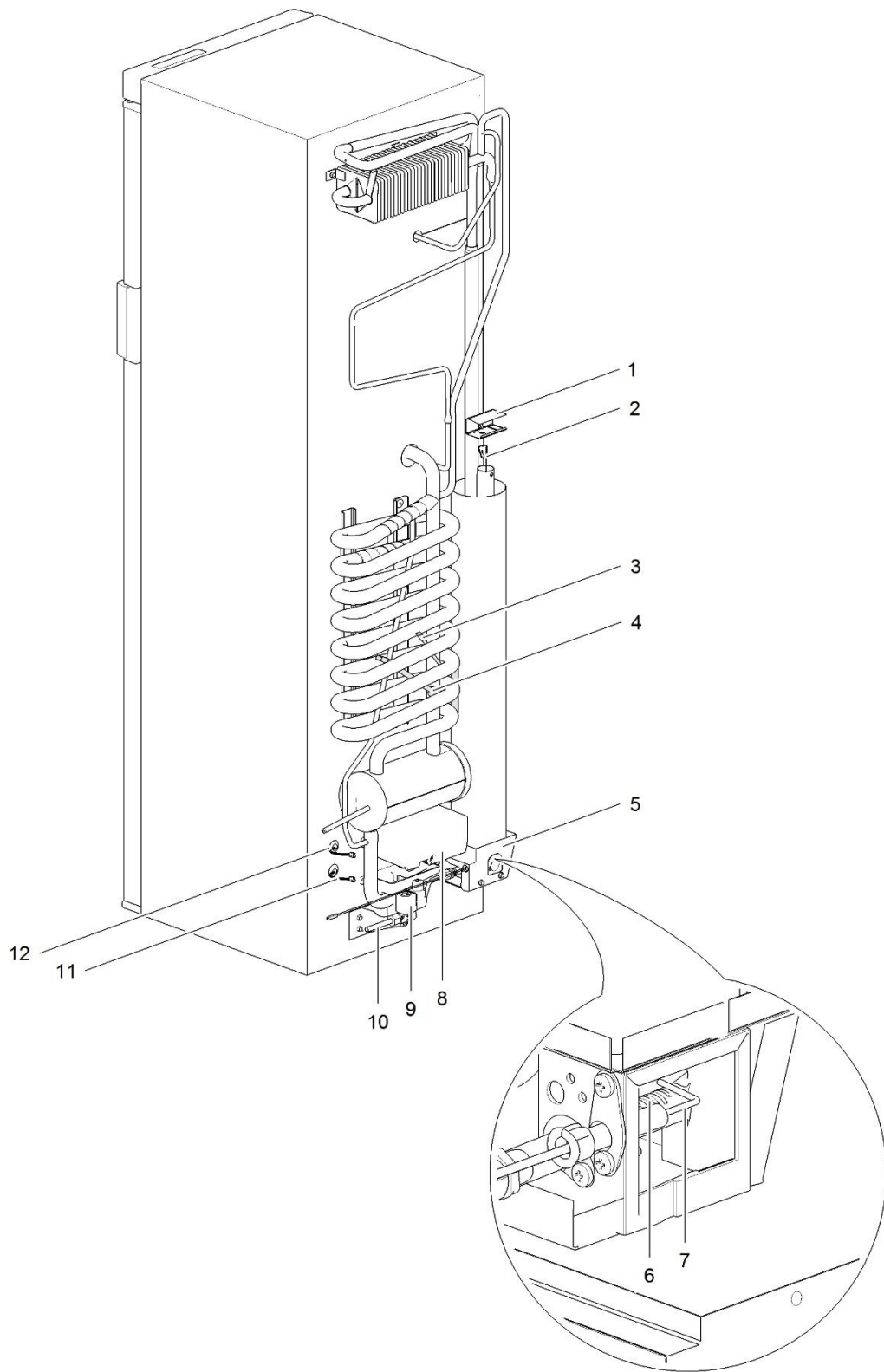
LE997_N3080-N3090-N3097-N3108-N3112-N3115-back_0913-V04

		Single spare part number	Assembly spare part number	Items included	Colours available
1	Heat cap	690812			
2	Heat diffuser				
3	Heater AC	633575			
4	Heater DC	633574			
5	Heater box				
6	Burner assembly	634570			
7	Spark electrode	690813			
8	Power control board				
	< 03-03-0214	690811			
	≥ 03-03-2014	691101			
	Serial number ≥ E062R1000006				
9	Gas valve	690810			
10	Gas pipe				
11	Thermistor cable	690853			
	Loose connector temperature	690855			
12	Communication cable	690854			
	Loose connector communication	690856			



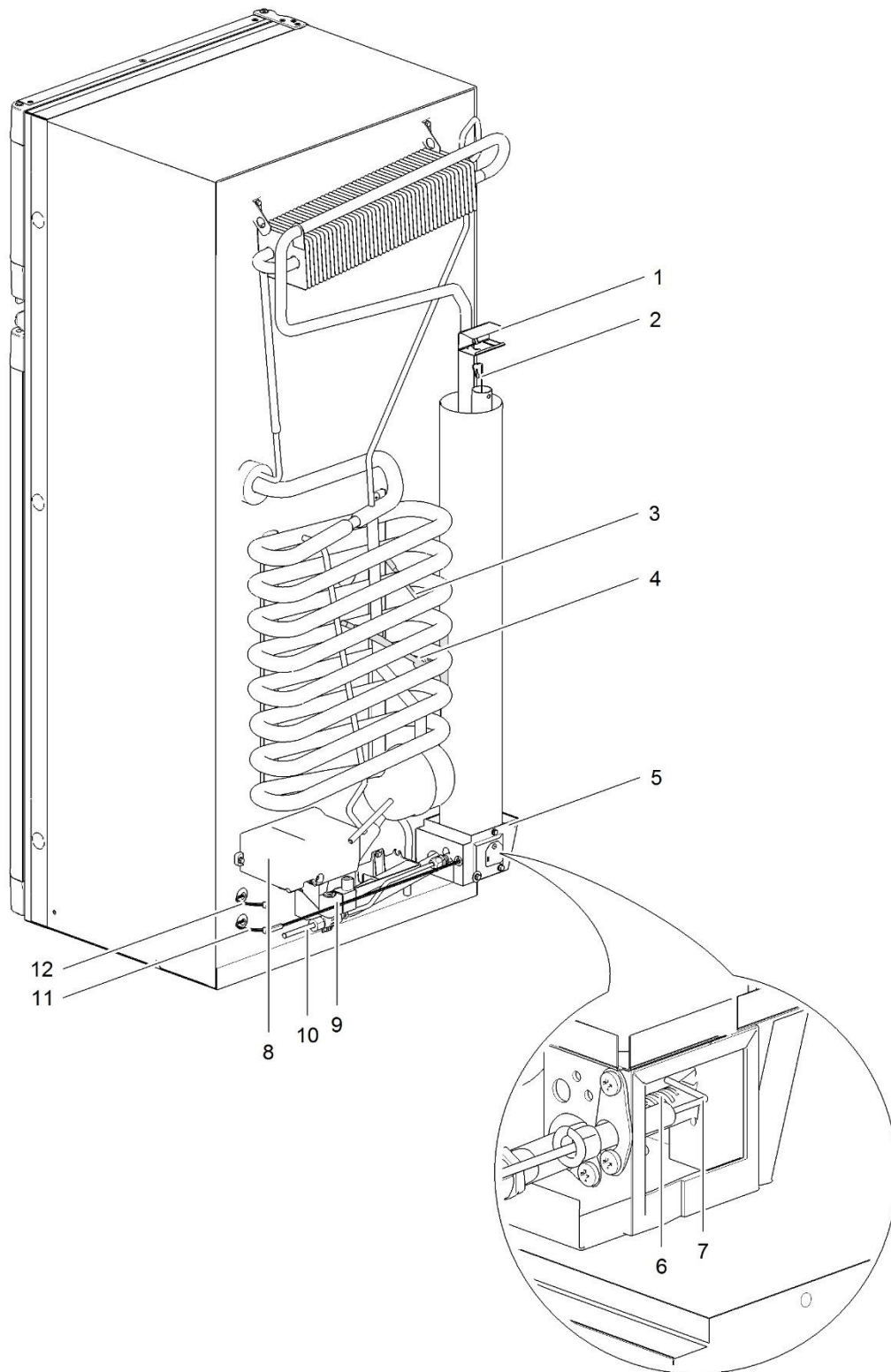
LE999_N3100-N3104-back_0313-V02

		Single spare part number	Assembly spare part number	Items included	Colours available
1	Heat cap	690812			
2	Heat diffuser				
3	Heater AC	633575			
4	Heater DC	633574			
5	Heater box				
6	Burner assembly	623019			
7	Spark electrode	690830			
8	Power control board				
	< 03-03-0214	690811			
	≥ 03-03-2014 (serial number ≥ E062R1000006)	691101			
9	Gas valve	690810			
10	Gas pipe				
11	Thermistor cable	690853			
	Loose Connector	690855			
12	Communication cable	690854			
	Loose Connector	690856			



LE1112_N3141-N3142-back_1013-V01

		Single spare part number	Assembly spare part number	Items included	Colours available
1	Heat cap	690839			
2	Heat diffuser				
3	Heater AC	691124			
4	Heater DC	691125			
5	Heater box				
6	Burner assembly	623058			
7	Spark electrode	690840			
8	Power control board	691101			
9	Gas valve	690810			
10	Gas pipe				
11	Thermistor cable	690853			
	Loose connector temperature	690855			
12	Communication cable	690854			
	Loose connector communication	690856			



LE1001_N3145-N3150-back_0313-V02

		Single spare part number	Assembly spare part number	Items included	Colours available
1	Heat cap	690839			
2	Heat diffuser				
3	Heater AC	633573			
4	Heater DC	633572			
5	Heater box				
6	Burner assembly	623058			
7	Spark electrode	690840			
8	Power control board				
	< 03-03-0214	690811			
	≥ 03-03-2014	691101			
	Serial number ≥ E062R1000006				
9	Gas valve	690810			
10	Gas pipe				
11	Thermistor cable	690853			
	Loose connector temperature	690855			
12	Communication cable	690854			
	Loose connector communication	690856			