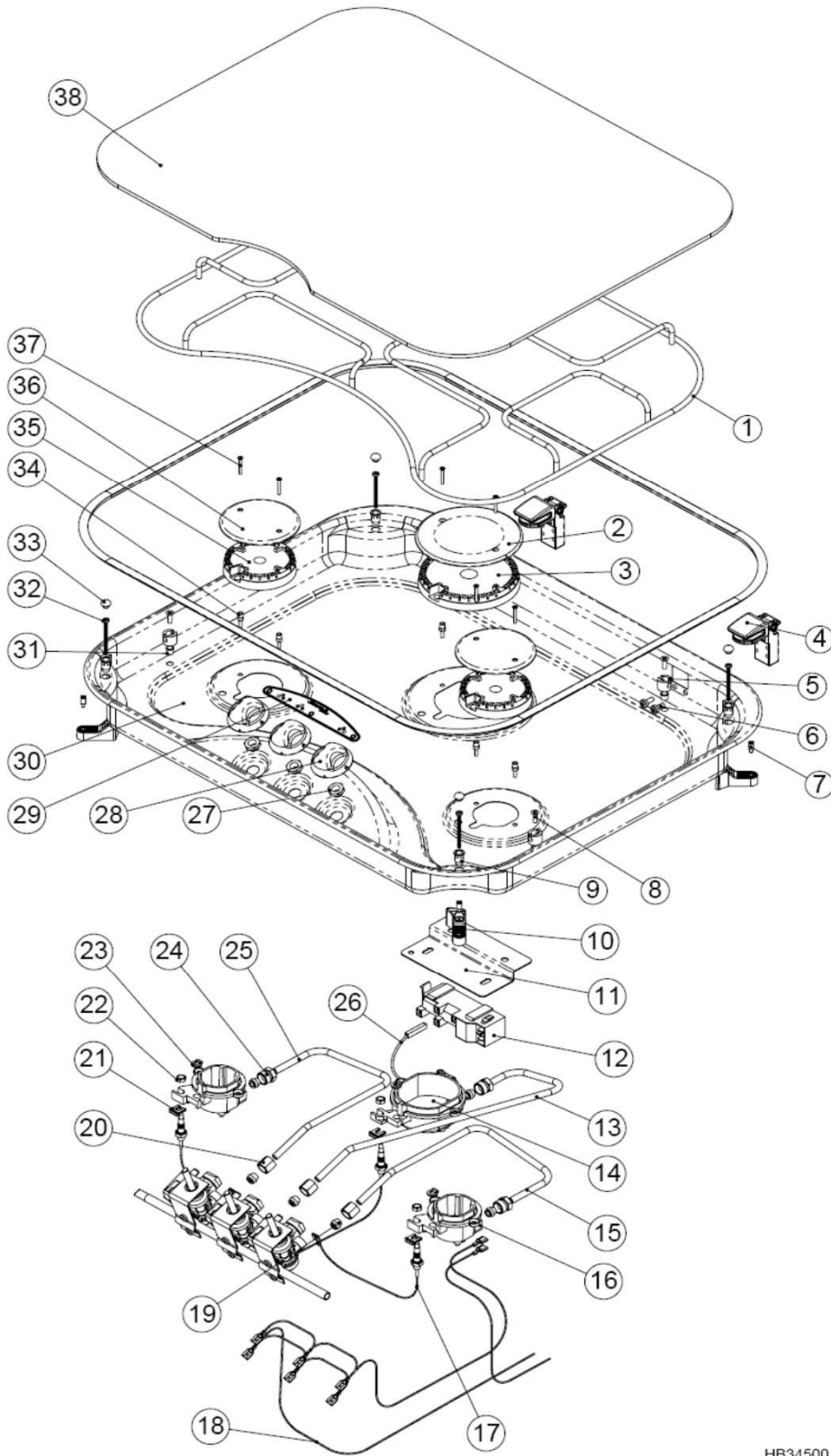


RECTANGULAR 3BNR HOB SHB34000 - EXPLODED DRAWING (GENERIC)



RECTANGULAR 3 BNR HOB - SHB34000

MODELS

DRW No.	PART CODE	DESCRIPTION	34010	34012	34013	34016	34500	34550	34555
1	SPCC0691	Support, Pan, CR Hob, Rect 3b chrome	X	X	X	X	X	X	X
2	SPCC0833	Burner Cap, Drilled, SR2, Rapid	Produced before 01-10-2012						
2	SPCC4035	Burner Cap, SR, Enamel Black	Produced after 01-10-2012						
3	SPCC0831	Flame Spreader, SR2, Rapid	Produced before 01-10-2012						
3	SPCC4030	Flame Spreader, SR, Skirtless	Produced after 01-10-2012						
4	SPCC2003.BK	Hinge, Glass Lid 2004 Style	X	X	X	X	X	X	X
5	SPCC0647	Clip, Pan Support PTFE Top Fix	X	X	X	X	X	X	X
7	SPCX0415	Bush, Snap-fit, CR Clamp System BK	Only applicable before 08-05-2011						
9	SPCX0417	Spacing Plug, push-fit, CR Clamp System BK	X		X	X	X	X	X
10	SPCX0416	Clamping Arm, CR Clamp System BK	Only applicable after 08-05-2011						
12	SPCC1393	Generator, Spark 12v						X	X
17	SPCC1130	Thermocouple, S2 Bnr, Faston, 250mm	Produced before 01-10-2012						
17	SPCC4200	Thermocouple, S2 Bnr, Faston, 250mm Co ax	Produced after 01-10-2012						
21	SPCC1498	Clip, Fixing, Electrode	Produced before 01-10-2012						
21	SPCC4192	SPRING CLIP, THERMOCOUPLE & ELECTRO	Produced after 01-10-2012						
22	SPCX0163	Locknut, M6 Brass Coarse Thread	Produced before 01-10-2012						
23	SPCC1499	Gasket, Electrode	Produced before 01-10-2012						
28	SPCC0609.BK	Knob, control, continental black	X	X	X	X	X	X	X
29	SPCC1500	Fascia, Polycarb, 125mic, BK/SVS	X	X	X	X	X	X	X
30	SMCP7000	Press, Rect CR Hob, 2:1BFI, Lid, No DH, BS	Produced before 01-10-2012						
							X	X	X
30	SMCP7010	Press, Rect CR Hob, 3:0BFI, Lid, No DH, BS	Produced before 01-10-2012						
			X	X	X	X			
30	SMCP7020	PRESSING, RECT CR HOB, 2:1BFI, SOM, LI	Produced after 01-10-2012						
							X	X	X
30	SMCP7030	PRESSING, RECT CR HOB, 3:0BFI, SOM, LI	Produced after 01-10-2012						
			X	X	X	X			
32	SPCX0116S	Screw, M3x40 Pozi Pan M/Screw	X	X	X	X	X	X	X
33	SPCX0391	Bump Stop, push-fit	X	X	X		X	X	X
34	SPCC0814	Stud, Fixed Burner Cap	X		X		X	X	X
35	SPCC0811	Flame Spreader, SR2	X		X		X	X	X
36	SPCC0813	Burner Cap, Drilled, SR2	Produced before 01-10-2012						
36	SPCC4020	BURNER CUP, SR, SOMIPRESS, INJ0.61 (N	Produced after 01-10-2012						
37	SPCC0815	Screw, Fixed bnr Cap	X		X		X	X	X
38	SMG0930.BK	Glass Lid, CR Rect Hob - CHQ BK	X				X	X	
38	SMG0934.BK	Glass Lid, CR Rect Hob - Solid BK				X			X
38	SMG0934.OY	GLASS LID, CR RECT HOB - OYSTER		X	X				
	SMAC7440	Tap Assy, 3BF/8mm, CFT, COP, Rapid					X		
	SMAC7441	Tap Assy, 3BF/8mm, CFT, LH, COP			X				
	SMAC7442	Tap Assy, 3BF/8mm, CFT, RH, COP	X	X		X			
	SMAC7445	Tap Assy, 3BF/8mm, IGN, CFT, COP, Rapid						X	X
	◆ SPCC4130	Tap burn (0.37), Copreci, RA	X	X	X	X	X	X	X
	◆ SPCC4131	Tap grill (0.45), Copreci, RA					X	X	X
	SPCC1209	Bezel, Black, self adhesive, silicone rubber		X		X			
	SPCC1210	Bezel, Black, self adhesive, silicone rubber							X
	SPCC1220	Bezel, cut & join, 1766mm, surf. Mount	X		X		X	X	
	SPCC1453	Electrode, Spark 300mm						X	X
	SPCC1455	Electrode, Spark 600mm						X	X