

Premium LCD line

spare part list

N90

Front	2
Controls	22
Back	26

N97

Front	4
Controls	22
Back	26

N100

Front	6
Controls	22
Back	28

N104

Front	8
Controls	22
Back	28

N109

Front	10
Controls	22
Back	30

N112

Front	12
Controls	22
Back	26

N145

Front	14
Controls	22
Back	32

N150

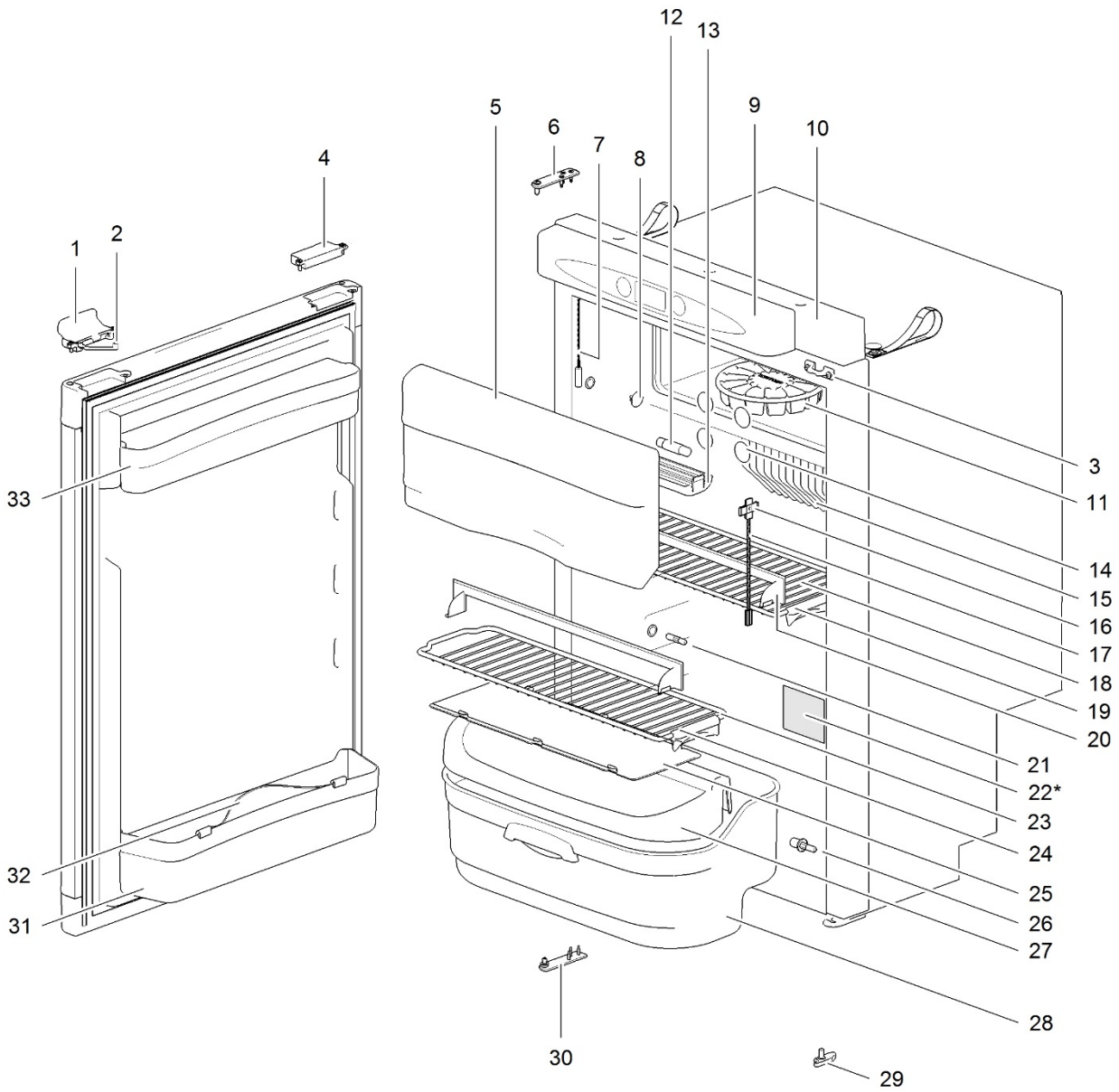
Front	16
Controls	22
Back	32

N175

Front	18
Controls	22
Back	32

N180

Front	20
Controls	24
Back	34



22*

THORON

Model No. Type **C11** **CE**
 Serie No. Climate Class **S11** **EN 60053**

Net Volume 108 L
 Brutto Volume 108 L
 Netto Brutto 108 L

Frostfrei Volume 100 L
 Gefrierfach Vol. (SNP) 6.300/31: 30 mbar
 Volumen Gefrierfach 102 L

Net V. Netto Volume 102 L
 Netto Brutto 102 L
 Netto Volume 102 L

CE 0063 003207 Part No. 034207

ABSORBER NH3 + 154,9 g NACHRO4 + 10,1 g p.max + 21 bar

CFC/HCFC FREE / FKW /FKW FREE

520010
 9030_SchickFridge_EUR

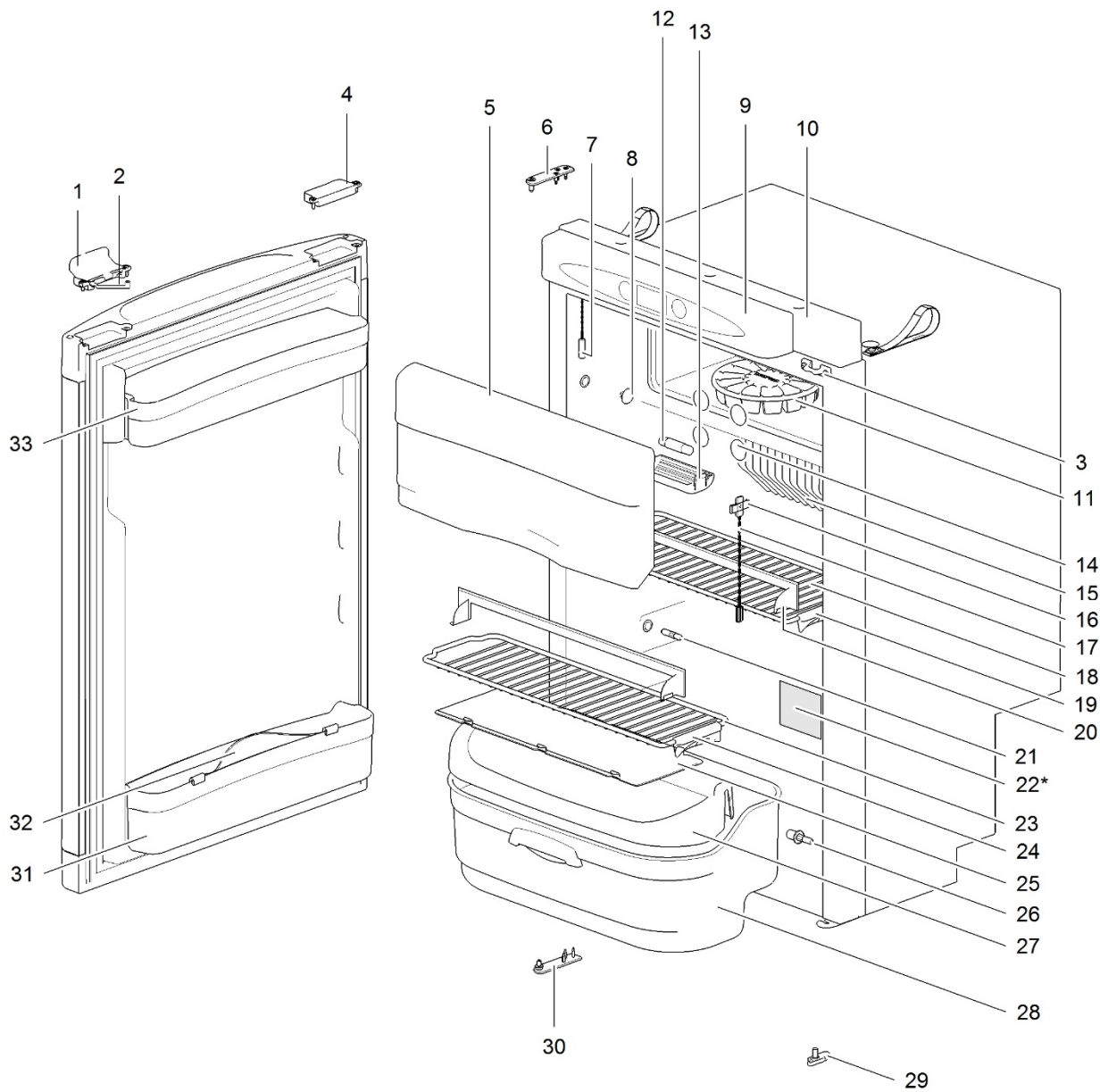
SPECIMEN

591341900611

LE1085_N90-front_0614-V02

		Spare part number	Spare part number	Colours available
1	Latch		626985	07, 27, 136
2	Storage strap	626986		07
3	Strike plate			
4	Pocket cover			
5	Freezer door		690852	
	Hinge freezer door (2x)	624680		08
6	Hinge plate			
7	Interior light switch	623061		
8	Cap (2x)	623622		08
9	Control panel	<i>Refer to page 22</i>		
10	Mounting Box	<i>Refer to page 22</i>		
11	Ice cube tray			
12	Interior light bulb	624003		
13	Interior light cover	624002		
14	Cap freezer bolt (12x)	624479		08
15	Fin			
16	Fin clip (3x)	623059		
17	Thermistor	623077		
18	Shelf 455 x 163.9	623048		08
19	Clip shelf small	623626		08
20	Shelf food retainer	624456		08
21	Hinge pin			
22	Identification label *			
23	Shelf 455 x 118.2	623047		08
24	Clip shelf small	623626		08
25	Shelf tray insert 403 x 97.9	623634		12
26	Hinge pin			
27	Flip top cover	623615		
28	Vegetable bin	623617		
29	Latch bottom	624001		27
30	Hinge plate			
31	Door bin	690818		08
32	Bottle retainer	623042		12
33	Door bin	690817		08

* With a request for information or service, always provide the serial number of the refrigerator. The serial number is the code below the barcode on the identification label.



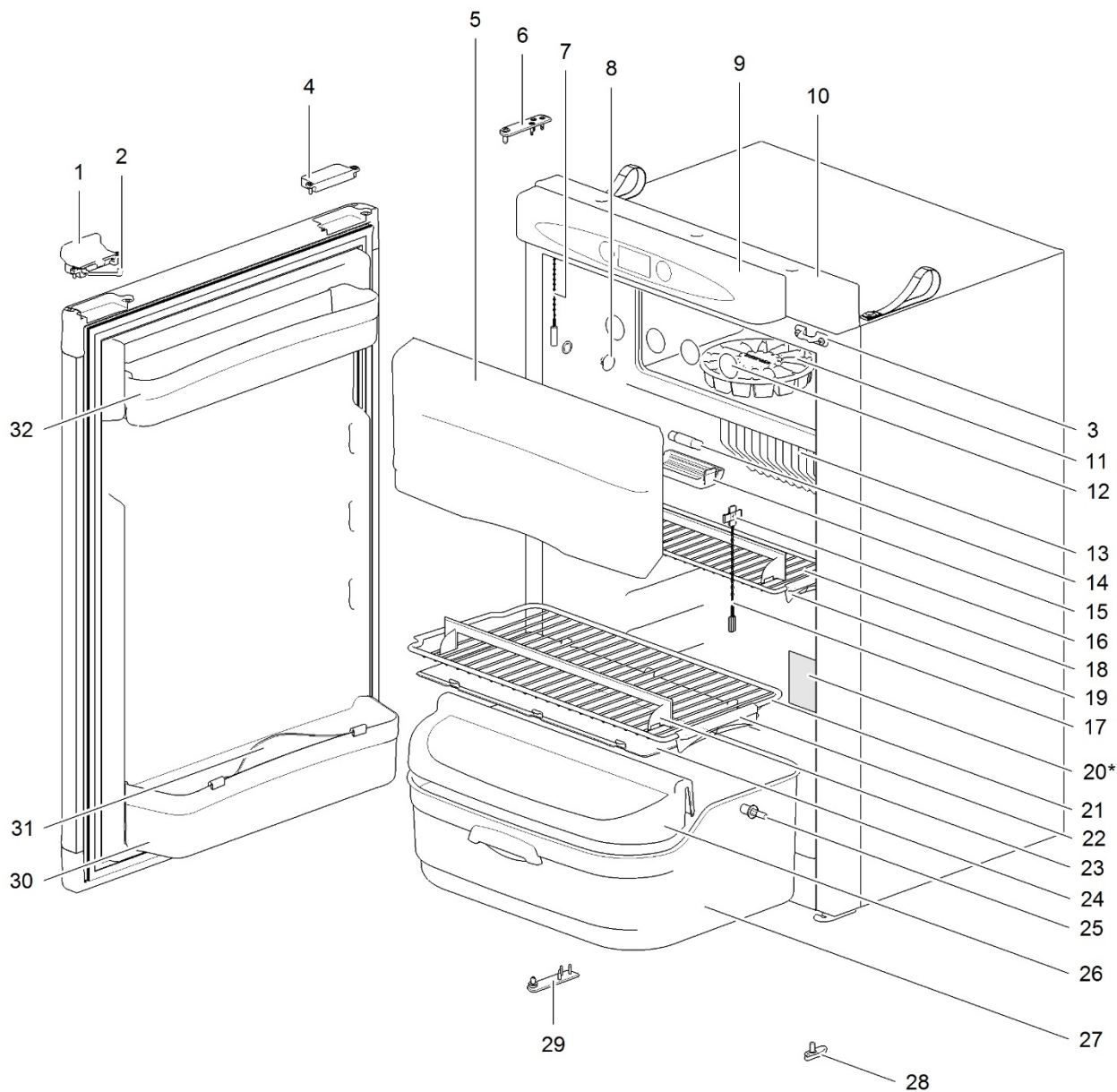
22*

TRIPLES Model No. _____ Type C11 C4 CC Serie No. _____ Classe Classe 210 100	
230 VAC - 50/60 Hz / 150 W - 12 VOC - 140 W 330112	
Gross Volume Netto Volume Volume Bruto Volume Netto	108 L
Fridge Volume Netto Volume Volume Netto Volume Netto	
300031-28-3007 mbars (300031-30 mbars)	
102 E013N100011	
CE 9003 0N1007 Part No. 534027	
ABSORBER NH ₃ = 154.8 g NAZOR ₄ = 10.1 g p max = 21 bar	
GFK HCFC FREE / FKW FCKW FREE 8000_SocStarHdp_EUR	

LE1086_N97-front_0614-V02

		Spare part number	Spare part number	Colours available
1	Latch		626985	07, 27, 136
2	Storage strap	626986		07
3	Strike plate			
4	Pocket cover			
5	Freezer door		690852	
	Hinge freezer door (2x)	624680		08
6	Hinge plate			
7	Interior light switch	623061		
8	Cap (2x)	623622		08
9	Control panel	<i>Refer to page 22</i>		
10	Mounting box	<i>Refer to page 22</i>		
11	Ice cube tray			
12	Interior light bulb	624003		
13	Interior light cover	624002		
14	Cap freezer bolt (12x)	624479		08
15	Fin			
16	Fin clip (3x)	623059		
17	Thermistor	623077		
18	Shelf 455 x 163.9	623048		08
19	Clip shelf small	623626		08
20	Shelf food retainer	624456		08
21	Hinge pin			
22	Identification label *			
23	Shelf 455 x 118.2	623047		08
24	Clip shelf small	623626		08
25	Shelf tray insert 403 x 97.9	623634		12
26	Hinge pin			
27	Flip top cover	623615		
28	Vegetable bin	623617		
29	Latch bottom	624001		27
30	Hinge plate			
31	Door bin	623053		12
32	Bottle retainer	623042		12
33	Door bin	624025		12

* With a request for information or service, always provide the serial number of the refrigerator. The serial number is the code below the barcode on the identification label.



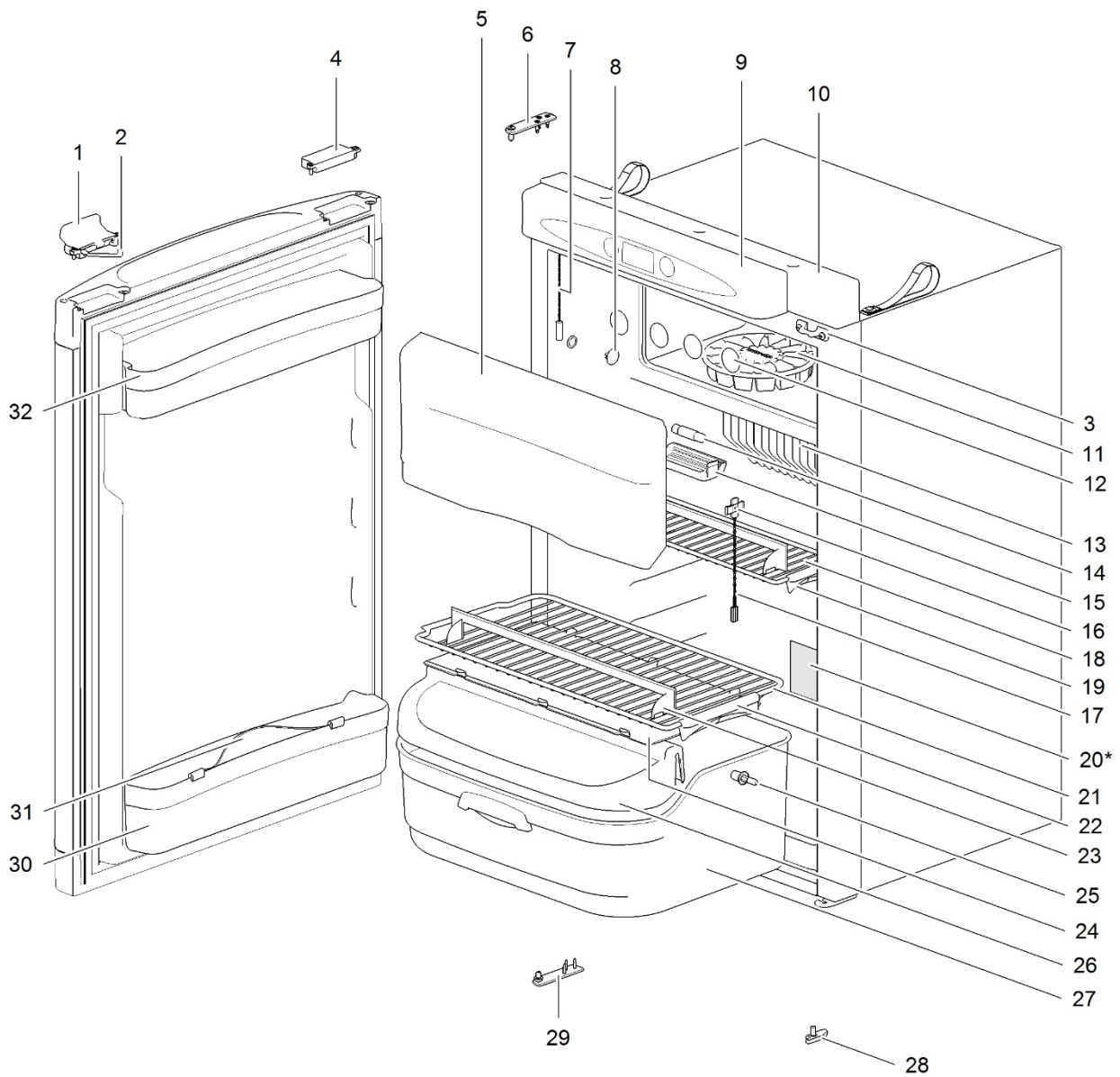
20*

STUFORD		Type	C17	CE
Model No		Chassis Class	EN	EN60900
Serie No				53012
230 VAC / 50-60 Hz / 155 W / 12 VDC / 140 VA				
Crash Volume				
Drain Volume	100 L			
Volume Blast				
Drain Volume				
Pressure Volume		14 020031-28-3007	mbars	
Griffhöhe Vorl.		1280	mm	
Volume Comp.				
Volume Inverter				
Neto Volume	100			
Volume				
Netto Volume				
CE 0903 EN1297		Part No.	034807	
RECORDED 140 x 154.9 g		RECORDED 10.1 g	g max = 71 kg	
CFC0 HFC0 FREE / FKW, FCKW FREE		©2013		0000_SerieStufe_EUR

LE:1089_N100-front_06:14-V02

		Spare part number	Spare part number	Colours available
1	Latch		626985	07, 27, 136
2	Storage strap	626986		07
3	Strike plate			
4	Pocket cover			
5	Freezer door		690852	
	Hinge freezer door (2x)	624680		08
6	Hinge plate			
7	Interior light switch	623061		
8	Cap (2x)	623622		08
9	Control panel	<i>Refer to page 22</i>		
10	Mounting box	<i>Refer to page 22</i>		
11	Ice cube tray			
12	Cap freezer bolt (2x)	624479		08
13	Fin			
14	Interior light bulb	624003		
15	Interior light cover	624002		
16	Fin clip (3x)	623059		
17	Thermistor	623077		
18	Shelf 455 x 118.2	623047		08
19	Clip shelf small	623626		08
20	Identification label *			
21	Shelf 455 x 212.3	623055		08
22	Clip shelf large	623625		08
23	Shelf food retainer	624456		08
24	Shelf tray insert 403 x 192	623635		12
25	Hinge pin			
26	Flip top cover	623615		
27	Vegetable bin	623618		
28	Latch bottom	624001		27
29	Hinge plate			
30	Door bin	690818		08
31	Bottle retainer	623042		12
32	Door bin	690817		08

* With a request for information or service, always provide the serial number of the refrigerator. The serial number is the code below the barcode on the identification label.



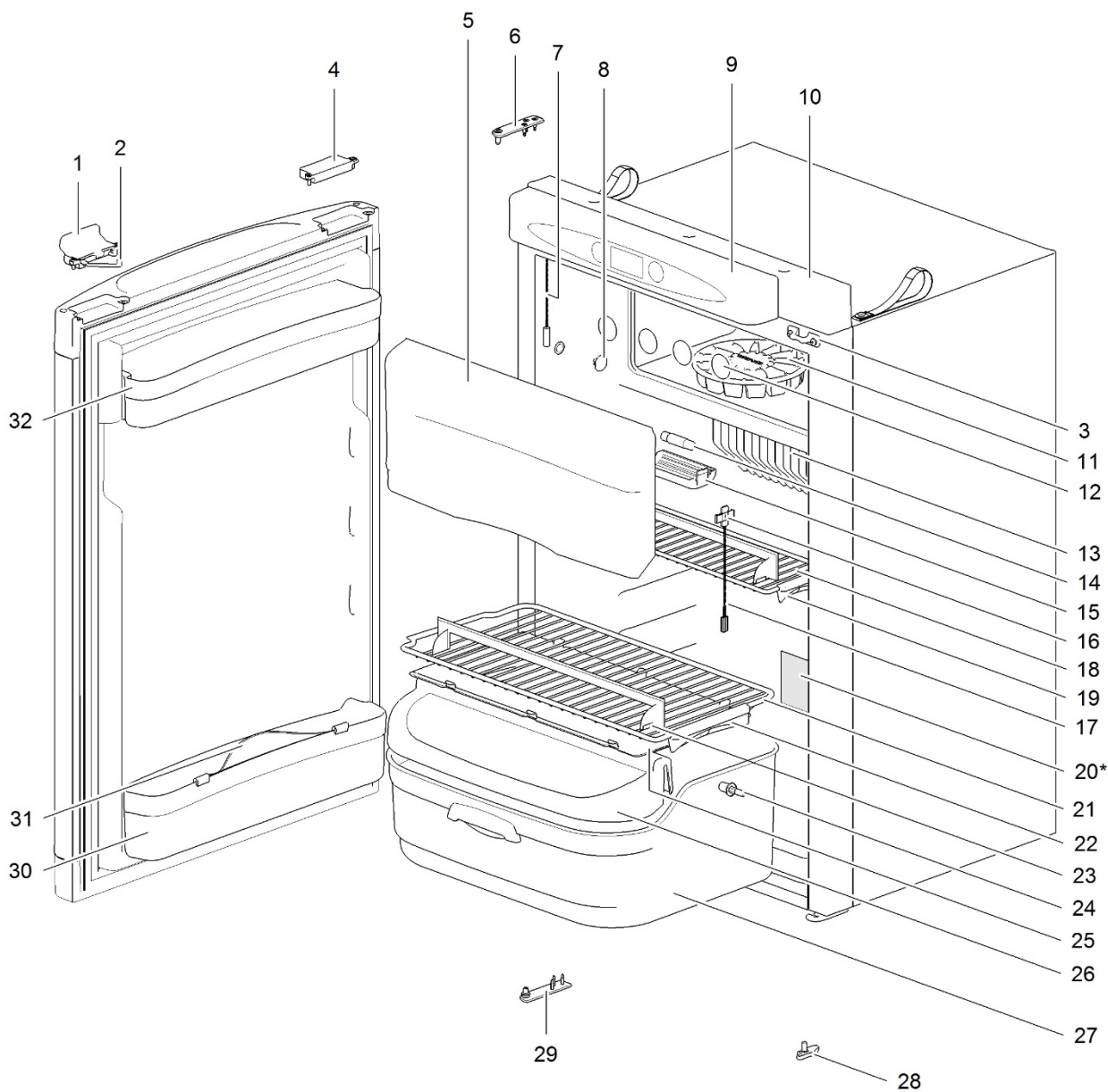
20*

FRIGIDAIR		TYPE CST	CE
Model No		Chiller Class 50	5002
Series No			530112
230 VAC / 50 / 60 Hz / 1.55 kW / 12 VDC / 140 W			
Crisper Volume			
Binnet Volume	100 L		
Volume Binet			
Binnet Volume			
Freezer Volume		C30G31-28-2007 mbar	
Compartments		1281P 0.300000 00 mbar	
Volume Compart			
Volume Crisper			
Netto	102		
Volume net			
Netto Volume			
Netto Volume			
SE 0803 5812287		Part No.	014287
RECHERCHER N40 = 194.9 g N43CR04 = 10.1 g g max = 21.0g			
CFC* HCFC* FROST FREE / FROST FREE		©2013 FRIGIDAIR, Sweden/Poland, EUR	

LE1090_N104-front_0614-V02

		Spare part number	Spare part number	Colours available
1	Latch		626985	07, 27, 136
2	Storage strap	626986		07
3	Strike plate			
4	Pocket cover			
5	Freezer door		690852	
	Hinge freezer door (2x)	624680		08
6	Hinge plate			
7	Interior light switch	623061		
8	Cap (2x)	623622		08
9	Control panel	<i>Refer to page 22</i>		
10	Mounting box	<i>Refer to page 22</i>		
11	Ice cube tray			
12	Cap freezer bolt (2x)	624479		08
13	Fin			
14	Interior light bulb	624003		
15	Interior light cover	624002		
16	Fin clip (3x)	623059		
17	Thermistor	623077		
18	Shelf 455 x 118.2	623047		08
19	Clip shelf small	623626		08
20	Identification label *			
21	Shelf 455 x 212.3	623055		08
22	Clip shelf large	623625		08
23	Shelf food retainer	624456		08
24	Shelf tray insert 403 x 192	623635		12
25	Hinge pin			
26	Flip top cover	623615		
27	Vegetable bin	623618		
28	Latch bottom	624001		27
29	Hinge plate			
30	Door bin	623053		12
31	Bottle retainer	623042		12
32	Door bin	624025		12

* With a request for information or service, always provide the serial number of the refrigerator. The serial number is the code below the barcode on the identification label.



20*

Model No Serie No		Type G 11 164	CE
230 VAC 50/60 Hz 1.100 W 13 VDC 1.140 W		20 130112	
Gross Volume Netto Volume Volume Bruto Brutto Volume	108 L	20 130112	
Proiettile Volume Capacità di Volume Cont. Volume Netto Volume Netto Netto Volume	102	20 130112	
CE 0802 043207		034027	
ABSORBER NH3 = 154.9 g NA2CR04 = 10.1 g g inox = 21 kg		420019 9020_SerieFridge_EUR	
CFCX HCFC, FREE / FRW, FCW/F RFD		420019 9020_SerieFridge_EUR	

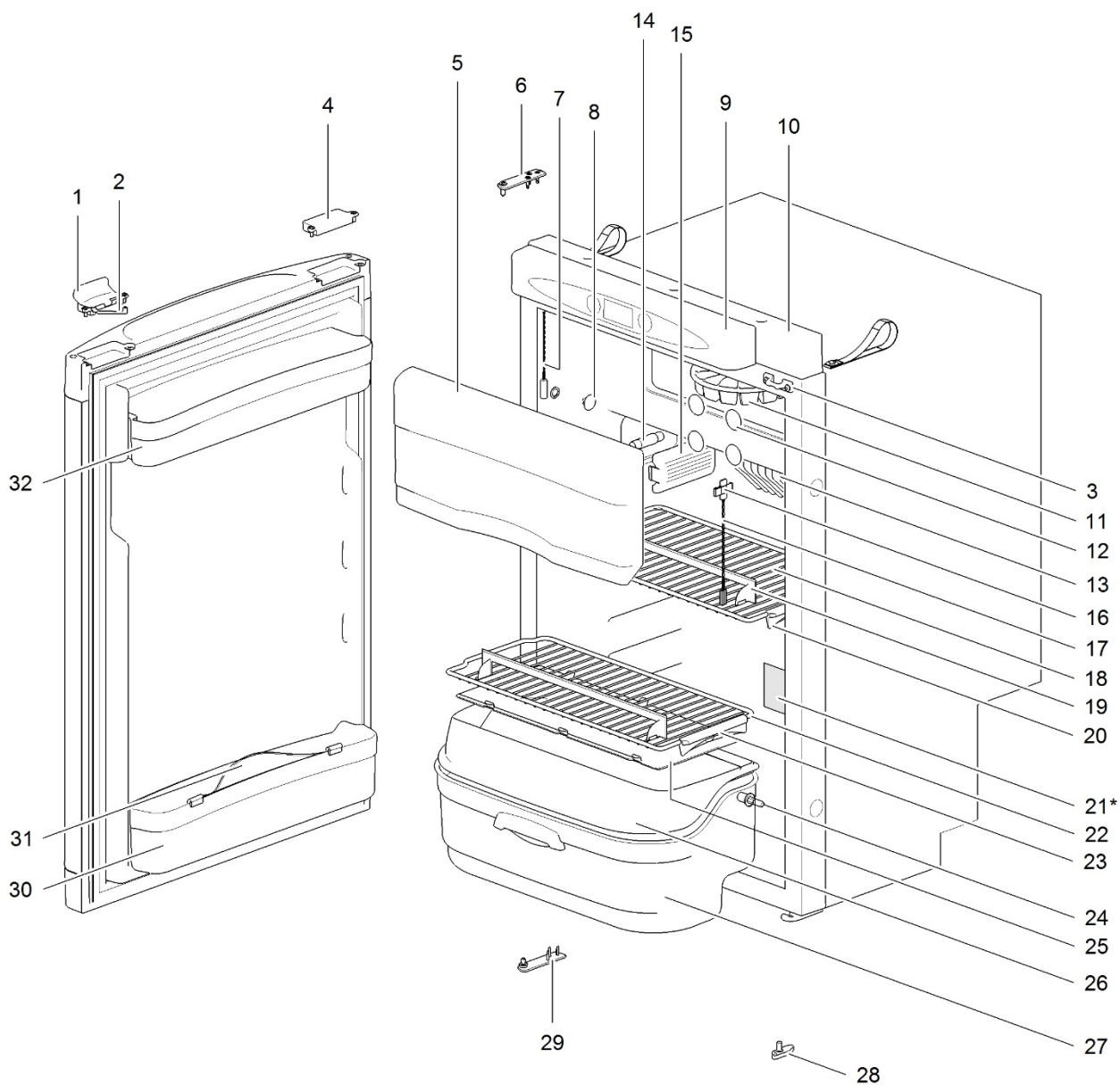
SPECIMEN

Barcode: E013N1000611

LE1091_N109-front_0614-V03

	Spare part number	Spare part number	Colours available
1	Latch	626985	07, 27, 136
2	Storage strap	626986	07
3	Strike plate		
4	Pocket cover		
5	Freezer door	690852	
	Hinge freezer door (2x)	624680	08
6	Hinge plate		
7	Interior light switch	623061	
8	Cap (2x)	623622	08
9	Control panel	<i>Refer to page 22</i>	
10	Mounting box	<i>Refer to page 22</i>	
11	Ice cube tray		
12	Cap freezer bolt (12x)	624479	08
13	Fin		
14	Interior light bulb	624003	
15	Interior light cover	624002	
16	Fin clip (3x)	623059	
17	Thermistor	623077	
18	Shelf 455 x 118.2	623047	08
19	Clip shelf small	623626	08
20	Identification label *		
21	Shelf 455 x 212.3	623055	08
22	Clip shelf large	623625	08
23	Shelf food retainer	624456	08
24	Shelf tray insert 403 x 192	623635	12
25	Hinge pin		
26	Flip top cover	623615	
27	Vegetable bin	623618	
28	Latch bottom	624001	27
29	Hinge plate		
30	Door bin	623053	12
31	Bottle retainer	623042	12
32	Door bin	624025	12

* With a request for information or service, always provide the serial number of the refrigerator. The serial number is the code below the barcode on the identification label.



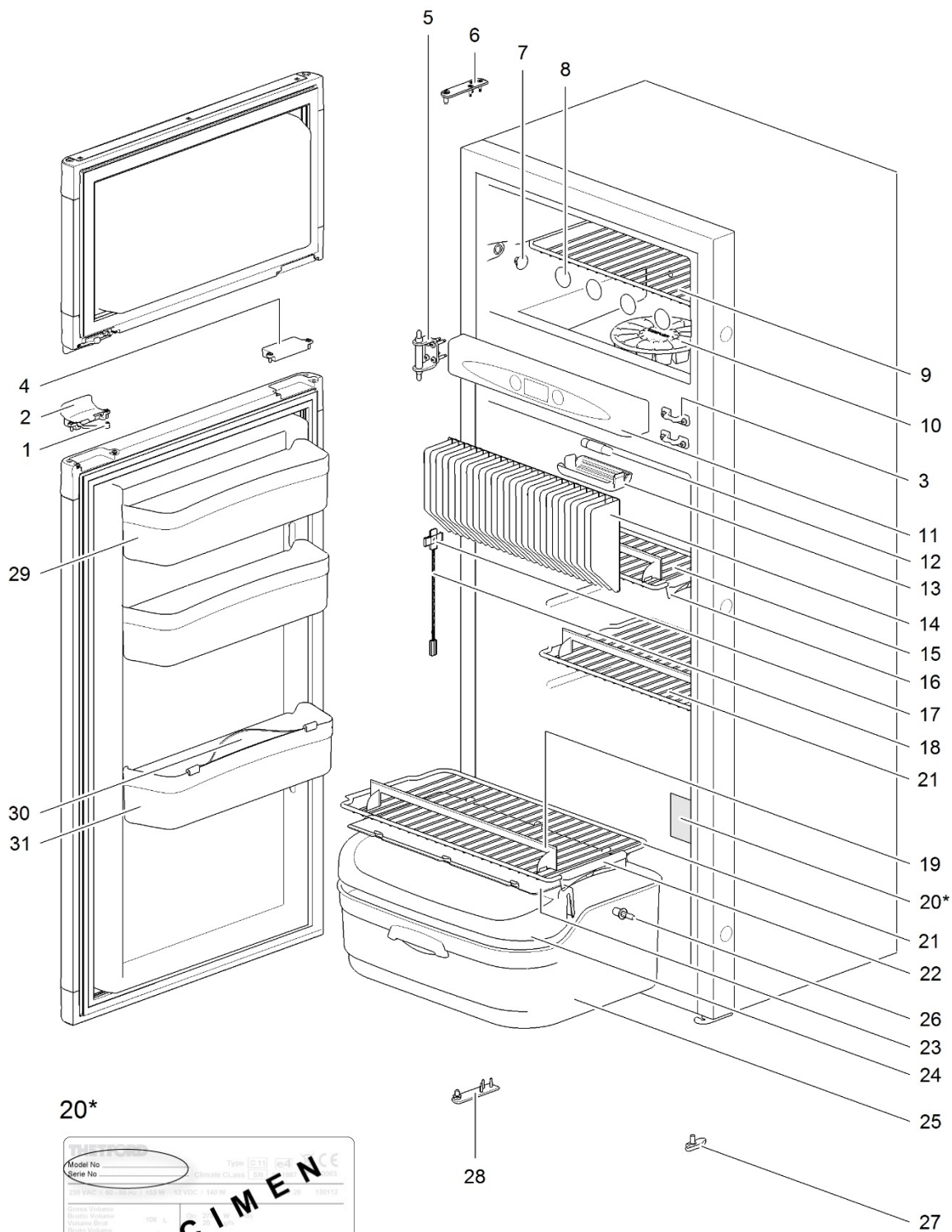
21*

TRIMON		Type	E11	EN	CE
Model No		Stromklasse	Class	SN	
Serie No					
230 VAC 50/60 Hz/50/60 Hz 100 W 12 WDC 1.40 W 130/112					
Große Volumen					
Brutto Volumen	100 L				
Volumen Brutt					
Brutto Volumen					
Frühjahr Volumen					
Gefrierfach Volumen					
Volumen Gef					
Netto Volumen					
Netto Volumen	102				
Netto Volumen					
CE 0803 043287	Part No	034827			
ABSORBER	1045 x 154.5 g	NA3CR04	10.1 g	gross x 21 bar	
CPDX HCFL FREE / FKW, FCKW FREE				62019	
				0020_SchickFolge_EUR	

LE1092_N112-front_0614-V03

		Spare part number	Spare part number	Colours available
1	Latch		626985	07, 27, 136
2	Storage strap	626986		07
3	Strike plate			
4	Pocket cover			
5	Freezer door		690852	
	Hinge freezer door (2x)	624680		08
6	Hinge plate			
7	Interior light switch	623061		
8	Cap (2x)	623622		08
9	Control panel	<i>Refer to page 22</i>		
10	Mounting box	<i>Refer to page 22</i>		
11	Ice cube tray			
12	Cap freezer bolt (12x)	624479		08
13	Fin			
14	Interior light bulb	624003		
15	Interior light cover	624002		
16	Fin clip (3x)	623059		
17	Thermistor	623077		
18	Shelf 453.8 x 205	623051		08
19	Shelf food retainer	624456		08
20	Clip shelf small	623626		08
21	Identification label *			
22	Shelf 453.8 x 180	626643		08
23	Clip shelf large	623625		08
24	Hinge pin			
25	Shelf tray insert 403 x 192	623635		12
26	Top cover	626641		12
27	Vegetable bin	623617		
28	Latch bottom	624001		27
29	Hinge plate			
30	Door bin	623053		12
31	Bottle retainer	623042		12
32	Door bin	624025		12

* With a request for information or service, always provide the serial number of the refrigerator. The serial number is the code below the barcode on the identification label.



20*

TRISTAR		Type	E 11	E 4	CE
Model No		Climate Class	SN		
Serial No					
230 V AC, 50/60 Hz, 1.5-1.8 kWh / 12 SDC / 540 W					
Storage Volume					
Storage Volume	100 L				
Storage Volume					
Storage Volume					
Freezer Volume		G30G31-08-0037 mixer			
Compartments		10BP G30G31-30 mixer			
Volume Comp					
Volume					
Net					
Net	102				
Net					
Net					
CE mark	6013N1000611				
CE mark					
CE mark					
ABSORBER NH3 = 154.8 g	NA3CR04 = 15.1 g				
CFC4 HCFC, FREE F/RW, FC00 F/R0					
020915					
0020, Serial/Fridge, EUR					



28

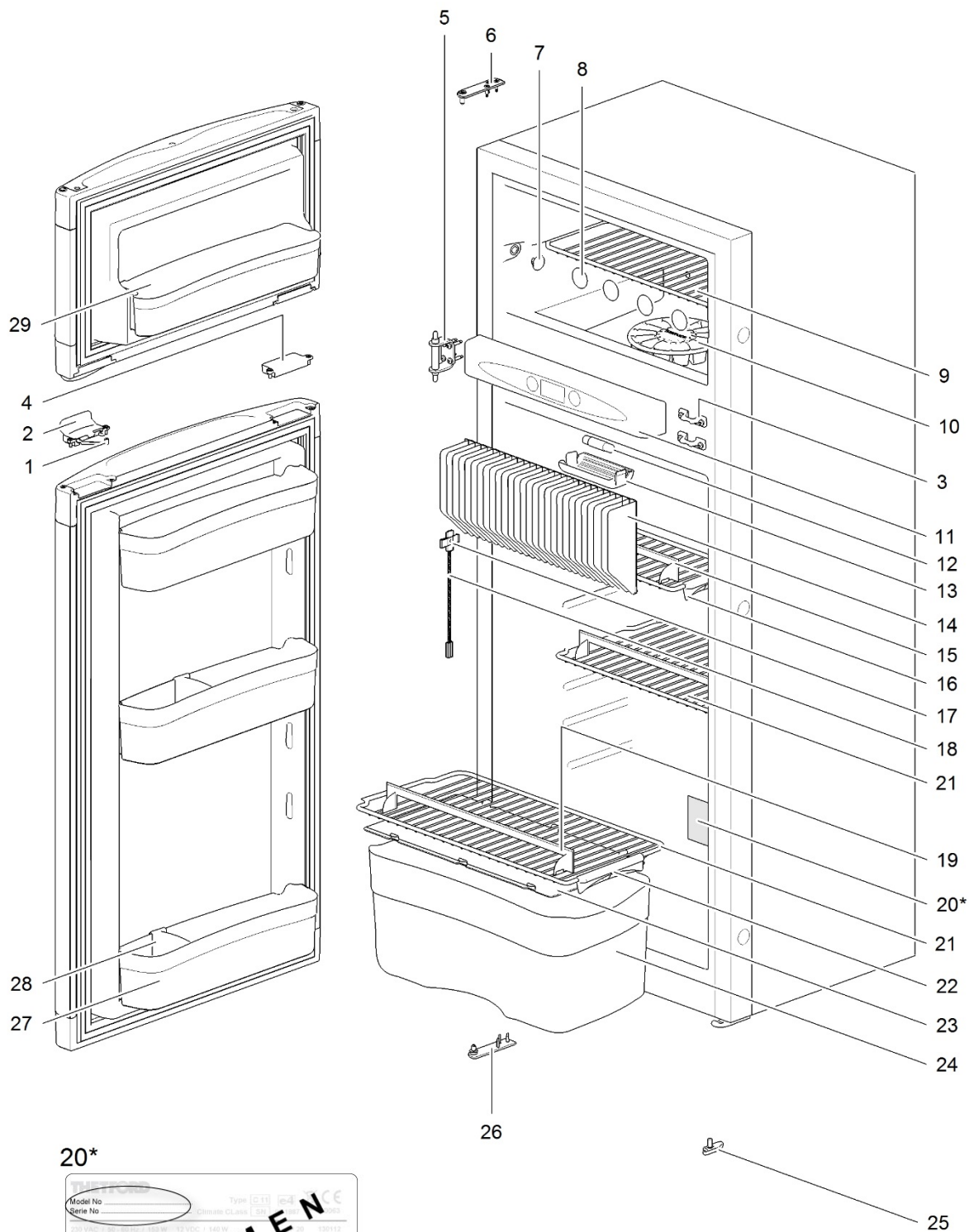


27

LE:1093_N145-front_1214-V04

		Spare part number	Spare part number	Colours available
1	Storage strap	626986	626985	07
2	Latch			07, 27, 136
3	Strike plate			
4	Pocket cover			
5	Hinge center			
6	Hinge plate			
7	Cap (2x)	623622		08
8	Cap freezer bolt (12x)	624479		08
9	Shelf	623633		08
10	Ice cube tray			
11	Control panel	<i>Refer to page 22</i>		
12	Interior light bulb	624003		
13	Interior light cover	624002		
14	Fin			
15	Shelf 428.5 x 143.1	623044		08
16	Clip shelf large	623625		08
17	Fin clip (3x)	623059		
18	Thermistor	623077		
19	Shelf food retainer	624456		08
20	Identification label *			
21	Shelf 427.5 x 203.3	623045		08
22	Clip shelf large	623625		08
23	Shelf tray insert 371.3 x 183	623636		12
24	Flip top cover	623616		
25	Vegetable bin	623619		
26	Hinge pin			
27	Latch bottom	624001		27
28	Hinge plate			
29	Door bin			
30	Bottle retainer	623042		12
31	Door bin	690804		08

* With a request for information or service, always provide the serial number of the refrigerator. The serial number is the code below the barcode on the identification label.



20*

Technik		Type	CE
Model No		Dimmer Class	EN
Serie No			
250 Volt/50/60 Hz/1,65 kW/13,5 DC/1,40 W/13512			
Strom Voltzahl			
Strom Voltzahl	100 L	2,7 W	
Volumen Strom		2,7 W	
Strom Voltzahl			
Prüfung Voltzahl	13512-25-3057		
Gefrierfach Voltzahl	1000 G30031: 30 mbau		
Volumen Gefrierfach			
Volumen Gefrierfach			
Net Voltzahl	102		
Net Voltzahl			
Net Voltzahl			
Net Voltzahl			
CE 0002 EN3007	Part No.	924007	
ABSORBER IN3 + 15A 8 g	NA2CR04 + 10.1 g	3.000 + 21 ml	
CFCK/HCFC, FREE / FKW, PCW, FRED			
			820019 9020_ServFridge_EUR

SPECIMEN

2013N1000811

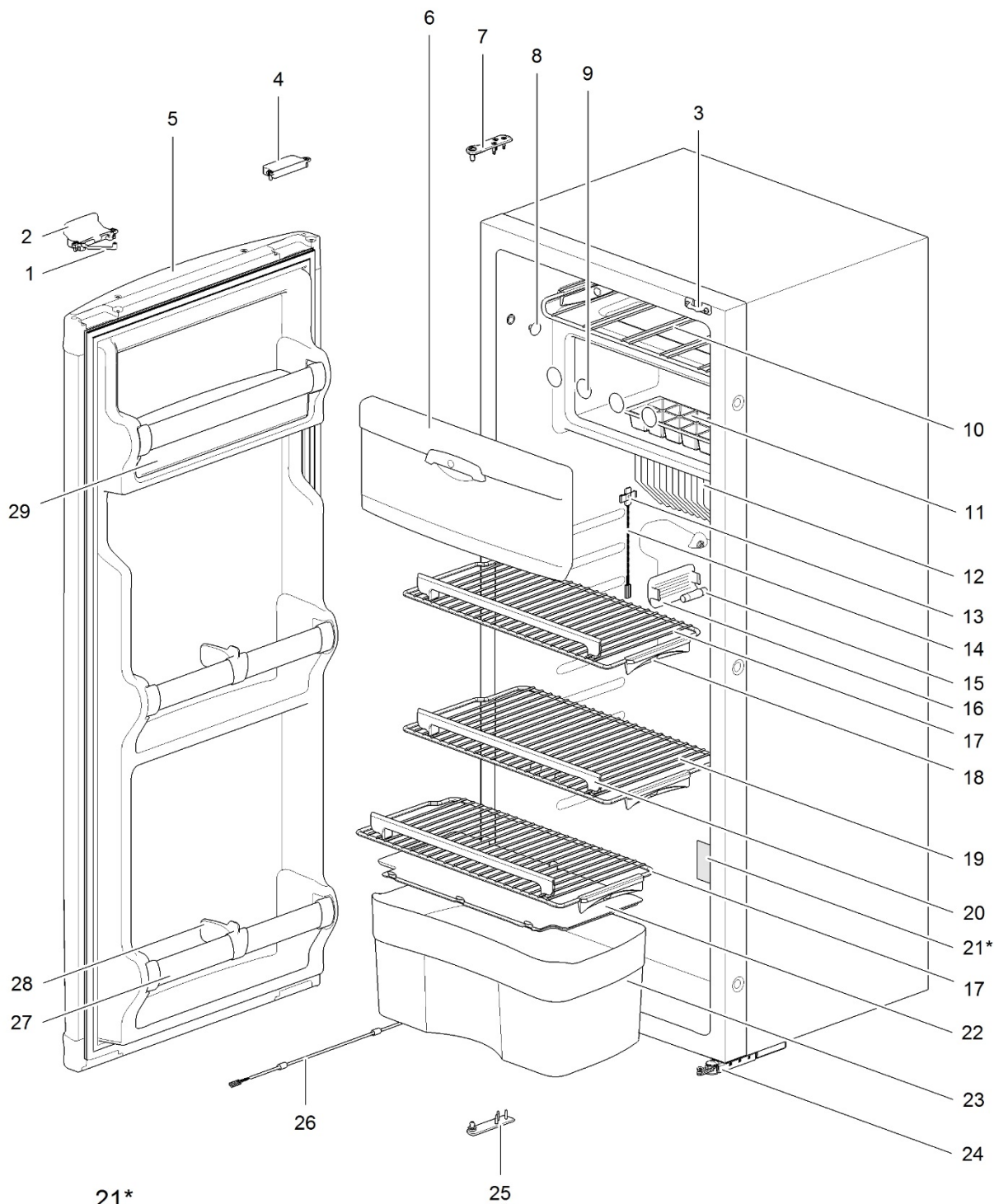
LE1094_N150-Front_1214-V05

		Spare part number	Spare part number	Colours available
1	Storage strap	626986	626985	07
2	Latch			07, 27, 136
3	Strike plate			
4	Pocket cover			
5	Hinge center			
6	Hinge plate			
7	Cap (2x)	623622		08
8	Cap freezer bolt (12x)	624479		08
9	Shelf	623633		08
10	Ice cube tray			
11	Control panel	<i>Refer to page 22</i>		
12	Interior light bulb	624003		
13	Interior light cover	624002		
14	Fin			
15	Shelf 428.5 x 172	626978		08
16	Clip shelf large	623625		08
17	Fin clip (3x)	623059		
18	Thermistor	623077		
19	Shelf food retainer	624457		08
20	Identification label *			
21	Shelf 428.4 x 232.3	626979		08
22	Clip shelf large	623625		08
23	Shelf tray insert 371.25 x 212	626981		12
24	Vegetable bin	626980		12
25	Latch bottom	624001		27
26	Hinge plate			
27	Door bin	626977		12
28	Bottle retainer	626989		12
29	Door bin	626976		12

* With a request for information or service, always provide the serial number of the refrigerator. The serial number is the code below the barcode on the identification label.

		Spare part number	Spare part number	Colours available
1	Storage strap	626986	626985	07
2	Latch			07, 27, 136
3	Strike plate			
4	Pocket cover			
5	Hinge center			
6	Hinge plate			
7	Cap (2x)	623622		08
8	Cap freezer bolt (12x)	624479		08
9	Shelf 404 x 238.5	631741		08
10	Ice cube tray			
11	Control panel	<i>Refer to page 22</i>		
12	Interior light bulb	624003		
13	Interior light cover	624002		
14	Fin			
15	Shelf 428.4 x 232.3	626979		08
16	Clip shelf large	623625		08
17	Fin clip (3x)	623059		
18	Thermistor	623077		
19	Identification label *			
20	Shelf 428.4 x 282.3	631743		08
21	Clip shelf large	623625		08
22	Shelf food retainer	624457		08
23	Shelf tray insert 371.25 x 212	626981		12
24	Vegetable bin	690829		08
25	Latch bottom	624001		27
26	Hinge plate			
27	Door bin	626977		12
28	Bottle retainer	626989		12
29	Door bin	626976		12

* With a request for information or service, always provide the serial number of the refrigerator. The serial number is the code below the barcode on the identification label.



21*

TRINITY	
Model No	Type C11
Series No	Chrome Class 20
230 VAC ~ 50/60 Hz 100-120 W 12 VDC - 1.60 W	
Brutto Volume	
Netto Volume	108 L
Volume Glas	
Brutto Volume	
Freizer Volume	3000/31-28-3007 arbar
Gefrierfach V ₁	100P G300/21 30 arbar
Volume Comp	
Net V ₁	
Brutto Volume	102
Netto Volume	
Volume Comp	
CE 0003 000207 Prod No: 034002	
RABORBER HHD = 154.8 g NAZCR04 = 10.1 g p max = 71 bar	
CFR4 HFC4 FREE / FRON. FCWV FREE	
©2009 8020_SocofHqde_EUR	

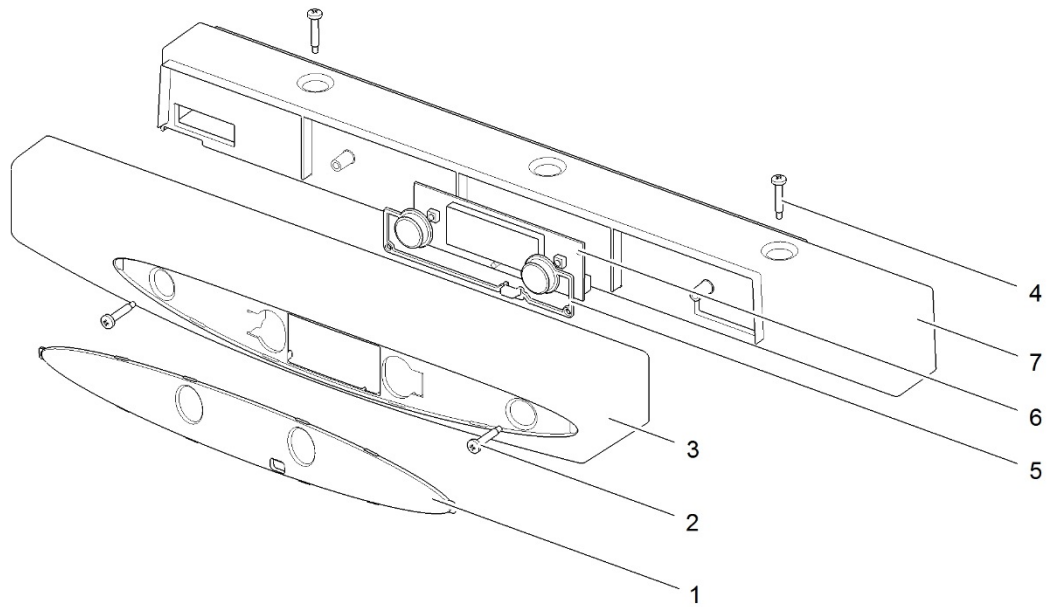
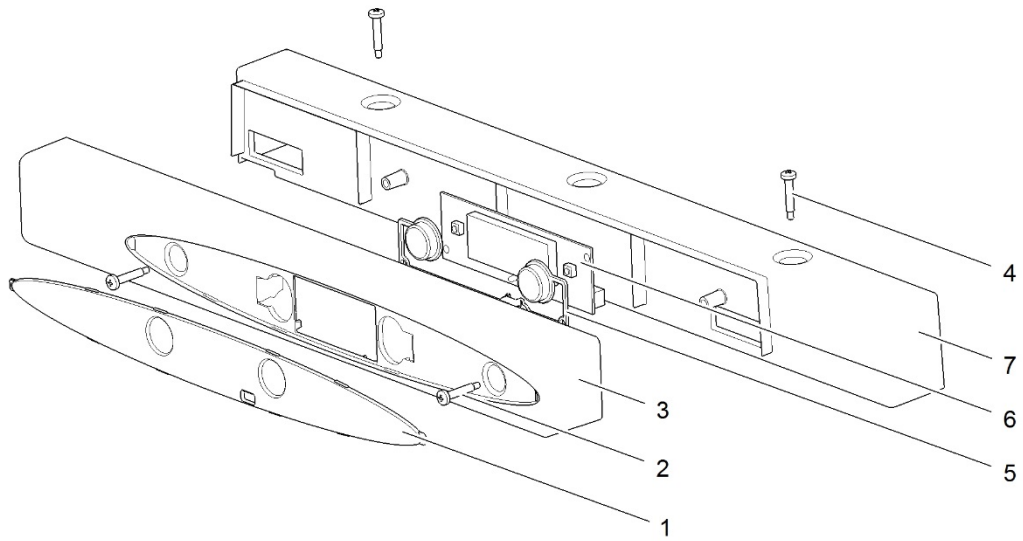
SPECIMEN

8013N1000611

LE:1096_N180-front_1214-V05

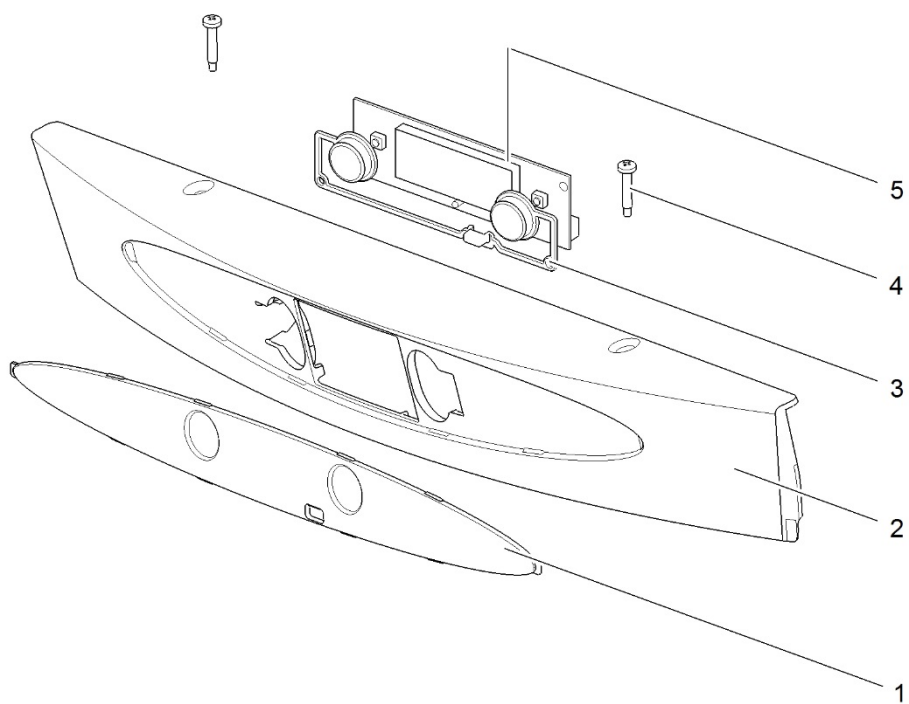
		Spare part number	Spare part number	Colours available
1	Storage strap	626986		07
2	Latch		626985	07, 27, 136
3	Strike plate			
4	Pocket cover			
5	Control panel	<i>Refer to page 24</i>		
6	Freezer door		690852	
	Hinge freezer door (2x)	624680		08
7	Hinge plate			
8	Cap (2x)	623622		08
9	Cap freezer bolt (12x)	624479		08
10	Shelf bottle	629725		08
11	Ice cube tray			
12	Fin			
13	Fin clip (3x)	623059		
14	Thermistor	623077		
15	Interior light bulb	624003		
16	Interior light cover	624002		
17	Shelf 453 x 212.3	629726		08
18	Clip shelf large	623625		08
19	Shelf 453 x 258.8	629727		08
20	Shelf food retainer	624456		08
21	Identification label *			
22	Shelf tray insert 371.25 x 212	626981		12
23	Vegetable bin	626980		12
24	Latch bottom	629721		
25	Hinge plate			
26	Flexible cable	629723		
27	Door rail			
28	Bottle retainer	626989		12
29	Door bin	629719		08

* With a request for information or service, always provide the serial number of the refrigerator. The serial number is the code below the barcode on the identification label.

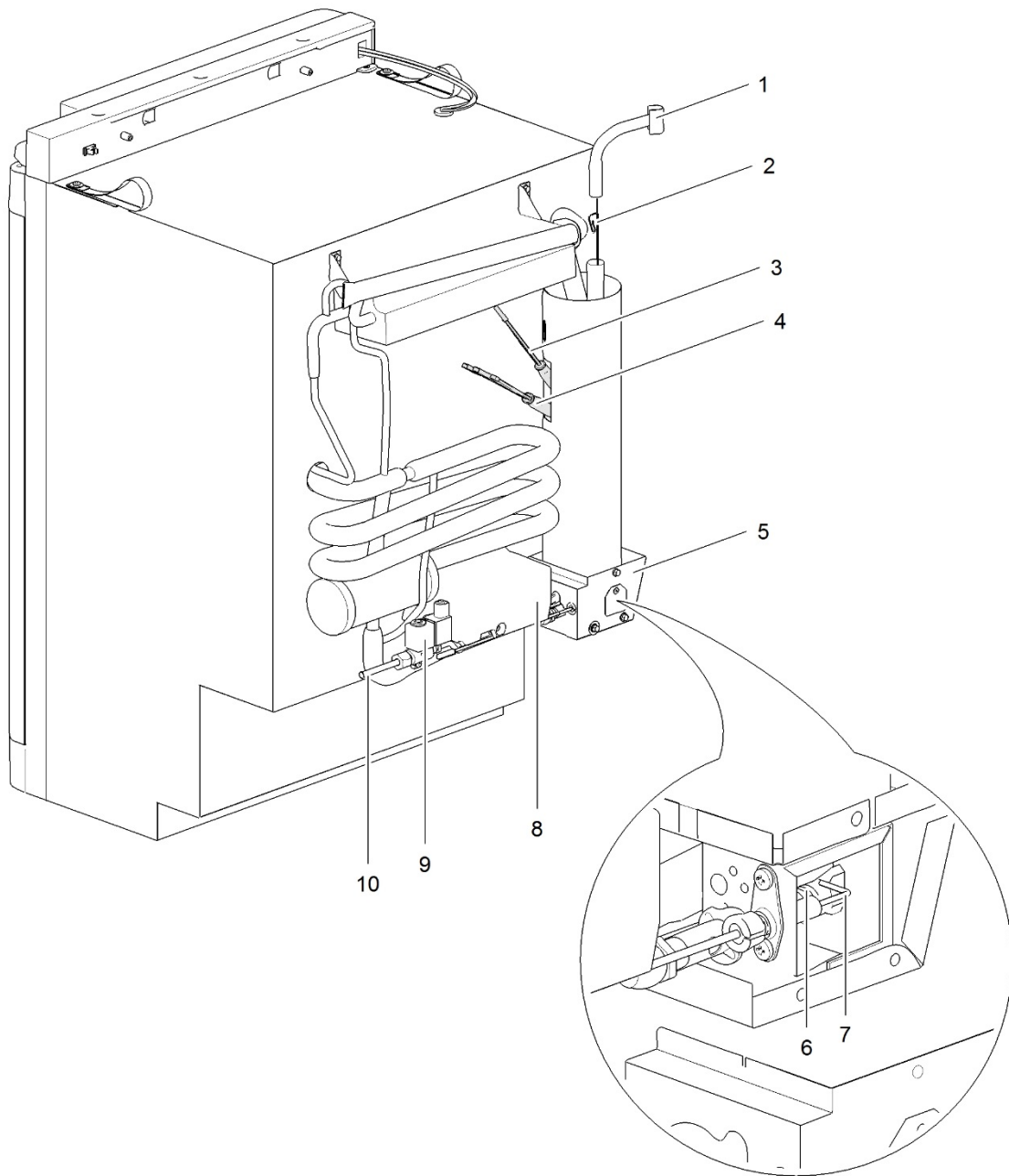


		Spare part number	Spare part number	Colours available
1	Overlay			
	Electric version	626975		
	Automatic version	631737		
2	Screw			
3	Control panel			
	Flat	626974		07, 27
	Curved	626973		07, 27
4	Screw			
5	Push buttons			
6	Display board LCD	626972		
7	Mounting box*			

* not for N145, N150 and N175

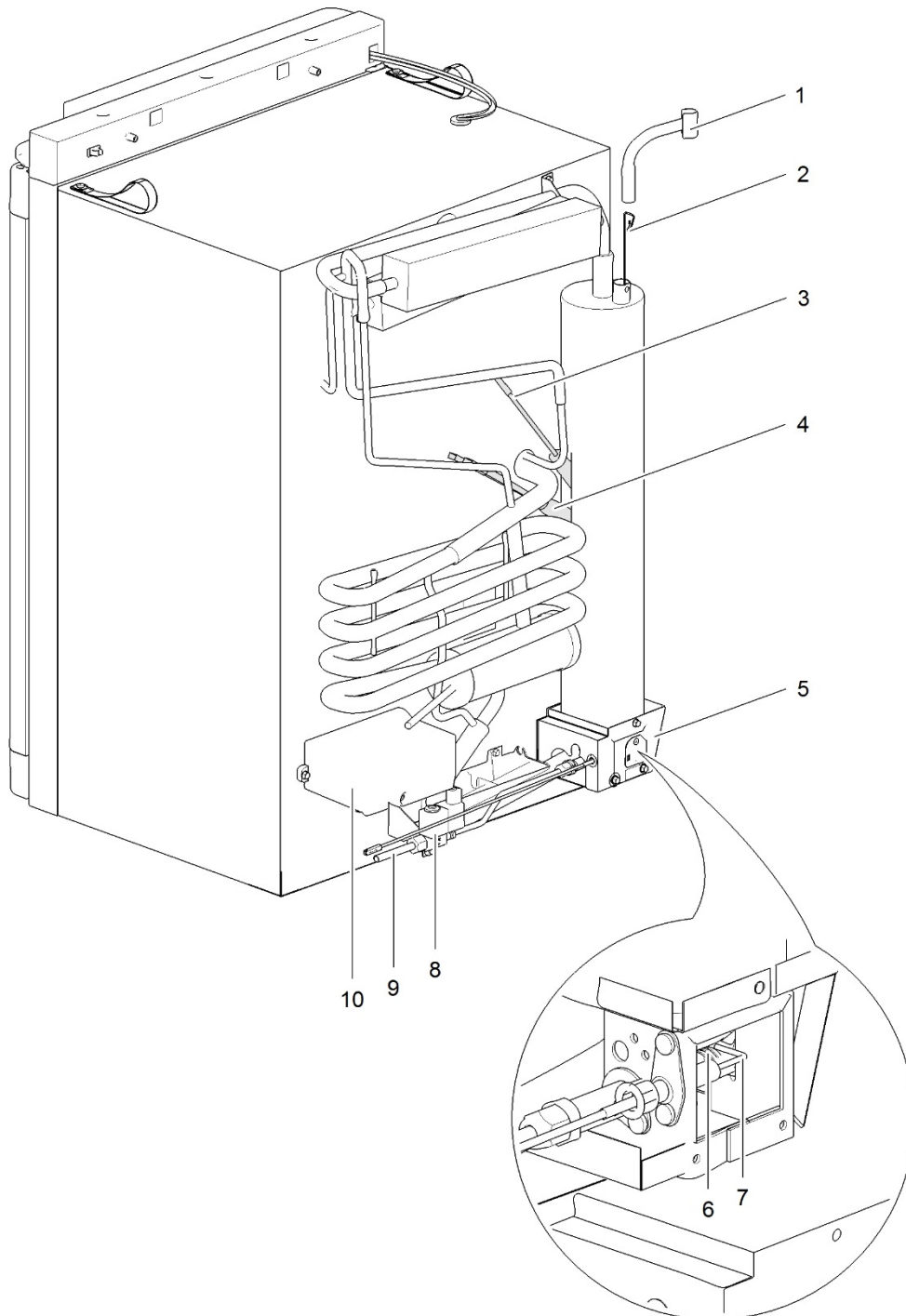


		Spare part number	Spare part number	Colours available
1	Overlay			
	Electric version	626975		
	Automatic version	631737		
2	Control panel	629720		07
3	Push buttons			
4	Screw			
5	Display board LCD	626972		



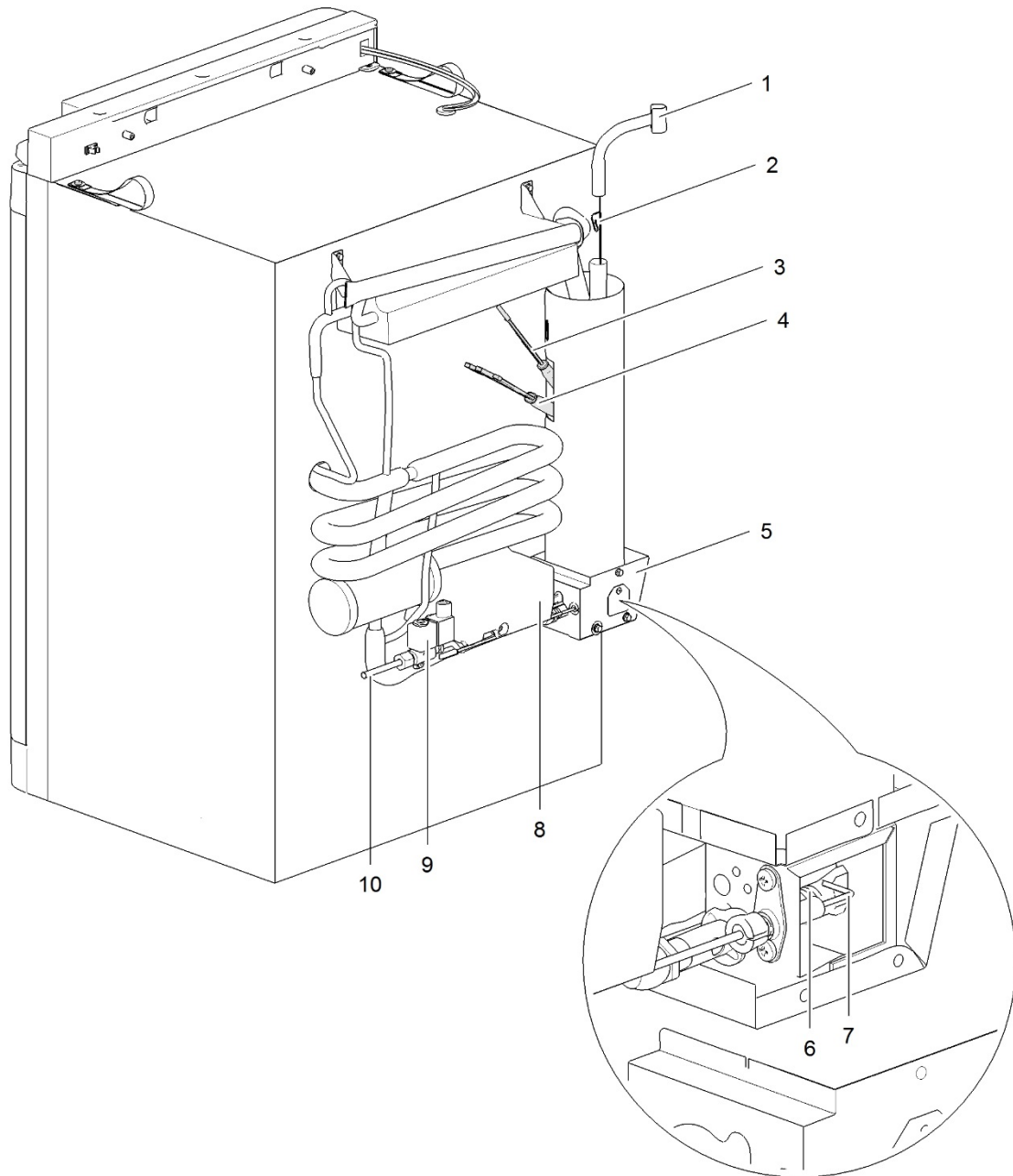
LE1097_N90-N97-N112-back_0913-V01

		Spare part number	Spare part number	Colours available
1	Flue exhaust			
	Short	627008		
	Long	624480		
2	Heat diffuser			
3	Heater AC			
	< 12/05/2009 (E132K.....)	626994		
	≥ 12/05/2009 (E132K.....)	633575		
4	Heater DC			
	< 12/05/2009 (E132K.....)	626995		
	≥ 12/05/2009 (E132K.....)	633574		
5	Heater box			
6	Burner assembly	623019		
7	Spark electrode	626988		
8	Power control board			
	Electric	691136		
	Automatic	691137		
9	Gas valve			
	< 25/09/2006 (E268F.....)	631249		
	≥ 25/09/2006 (E268F.....)	630440		
10	Gas pipe			



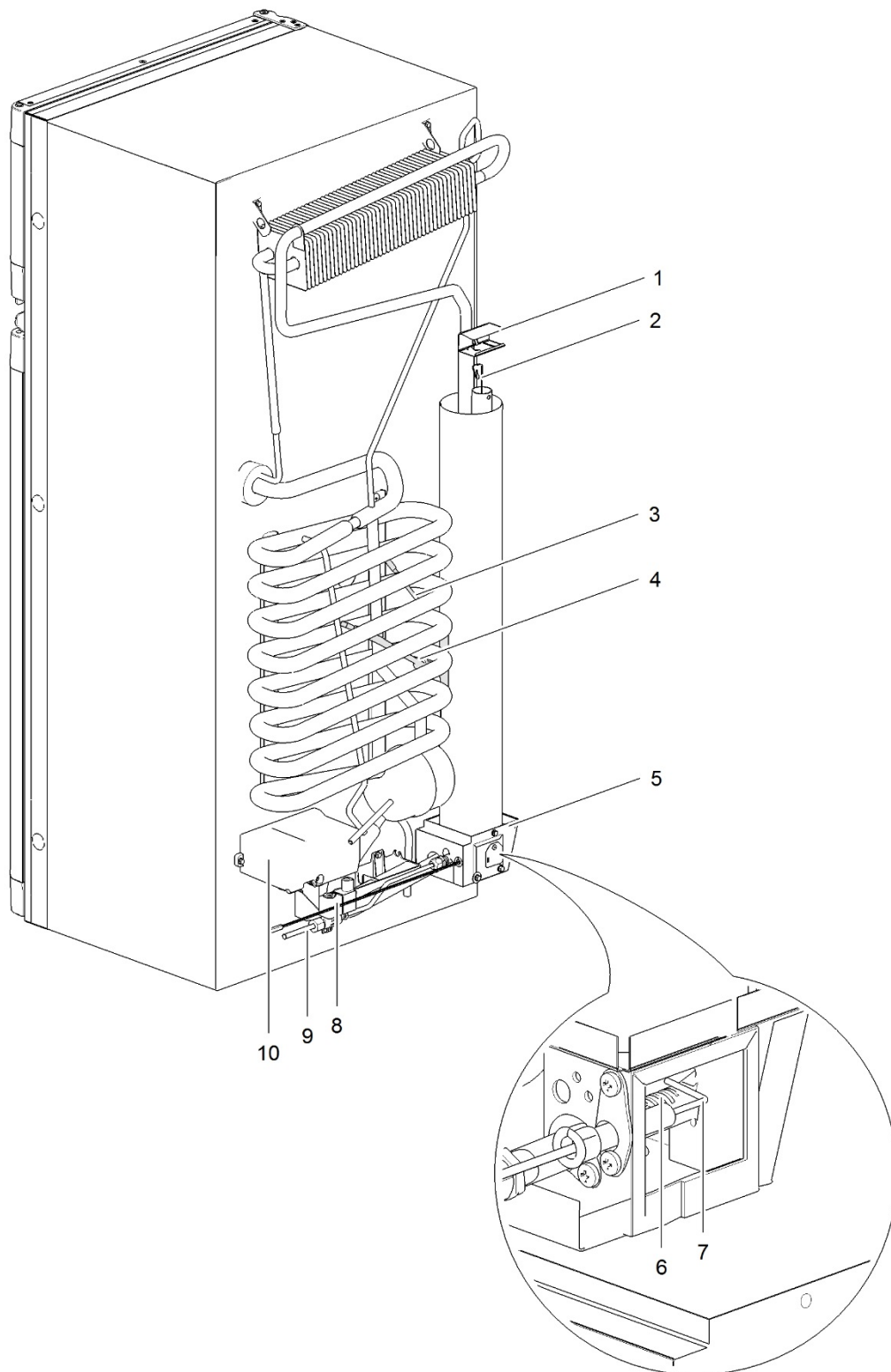
LE1098_N100-N104-back_0913-V01

		Spare part number	Spare part number	Colours available
1	Flue exhaust			
	Short	627008		
	Long	624480		
2	Heat diffuser			
3	Heater AC			
	< 02/07/2009 (E183K.....)	626994		
	≥ 02/07/2009 (E183K.....)	633575		
4	Heater DC			
	< 02/07/2009 (E183K.....)	626995		
	≥ 02/07/2009 (E183K.....)	633574		
5	Heater box			
6	Burner assembly	623019		
7	Spark electrode	631736		
8	Gas valve			
	< 27/09/2006 (E270F.....)	631248		
	≥ 27/09/2006 (E270F.....)	630440		
9	Gas pipe			
10	Power control board			
	Electric	691136		
	Automatic	691137		



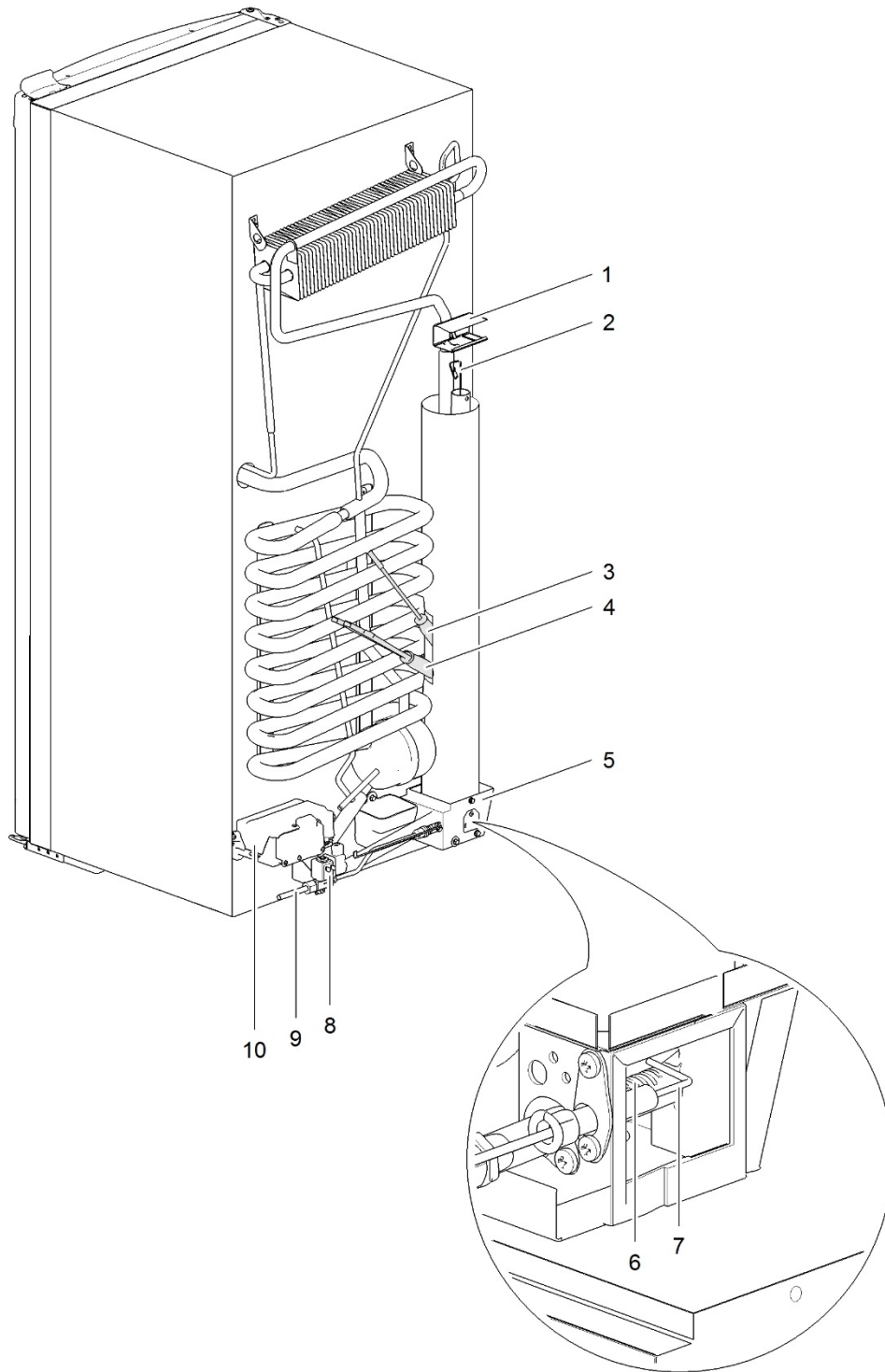
LE1099_N109-back_0913-V01

		Spare part number	Spare part number	Colours available
1	Flue exhaust			
	Short	627008		
	Long	624480		
2	Heat diffuser			
3	Heater AC	626994		
4	Heater DC	626995		
5	Heater box			
6	Burner assembly	623019		
7	Spark electrode	626988		
8	Power control board			
	Electric	691136		
	Automatic	691137		
9	Gas valve			
	< 25/09/2006 (E268F.....)	631249		
	≥ 25/09/2006 (E268F.....)	630440		
10	Gas pipe			



LE1101_N145-N150-back_0913-V01

		Spare part number	Spare part number	Colours available
1	Heat cap	690839		
2	Heat diffuser			
3	Heater AC			
	< 28/05/2009 (E148K.....)	626992		
	≥ 28/05/2009 (E148K.....)	633573		
4	Heater DC			
	< 05/12/2007 (E339G.....)	626993		
	05/12/2007 - 28/05/2009	631752		
	≥ 28/05/2009 (E148K.....)	633572		
5	Heater box			
6	Burner assembly	623058		
7	Spark electrode	626987		
8	Gas valve			
	< 27/09/2006 (E270F.....)	631248		
	≥ 27/09/2006 (E270F.....)	630440		
9	Gas pipe			
10	Power control board			
	Electric	691136		
	Automatic	691137		



LE1103_N180-back_0913-V01

		Spare part number	Spare part number	Colours available
1	Heat cap	690839		
2	Heat diffuser			
3	Heater AC			
	< 28/05/2009 (E148K.....)	626992		
	≥ 28/05/2009 (E148K.....)	633573		
4	Heater DC			
	< 05/12/2007 (E339G.....)	626993		
	05/12/2007 - 28/05/2009	631752		
	≥ 28/05/2009 (E148K.....)	633572		
5	Heater box			
6	Burner assembly	623058		
7	Spark electrode	626987		
8	Gas valve			
	< 27/09/2006 (E270F.....)	631248		
	≥ 27/09/2006 (E270F.....)	630440		
9	Gas pipe			
10	Power control board			
	Electric	691136		
	Automatic	691137		