

POWERSUPPLIES

Remote panel with ON/OFF, overload and over temperature function



- Fit inverter 1000/1500/2000/2500/3000 Watt
- Simple connection to the inverter with RJ11 plug
- Mount in a $\varnothing 44-45$ mm hole
- 6m white cable

Remote connects to the RJ11 connector at the inverter panel. The remote can operate the inverter with the ON/OFF switch.

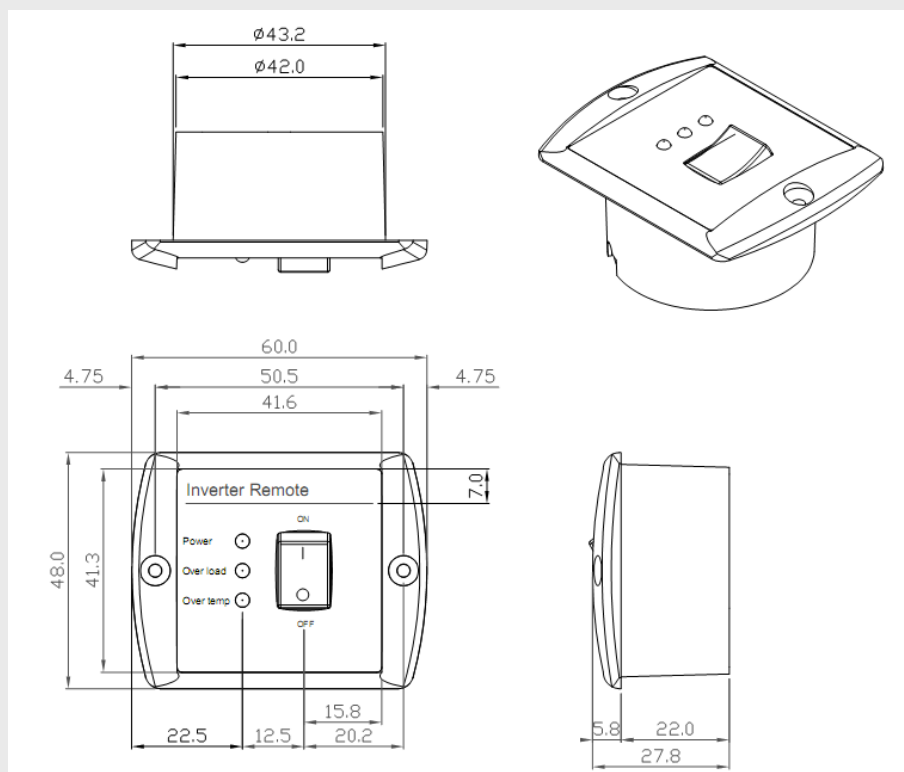
It also has three LED:

Power: On when inverter is working.

Over load: Red when the inverter is overloaded.

Over temp: Yellow when the inverter is overheated.

Mechanical drawing:



Ordering information:

Type	Function
REMOTE 2	ON/OFF, power, overload, over temp. function