

5

4

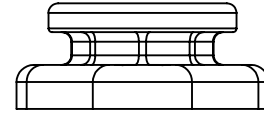
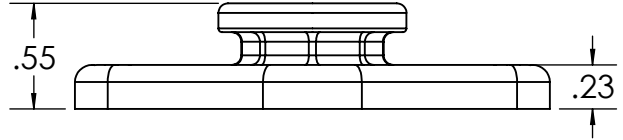
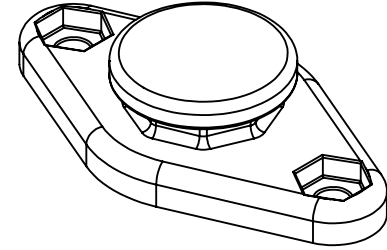
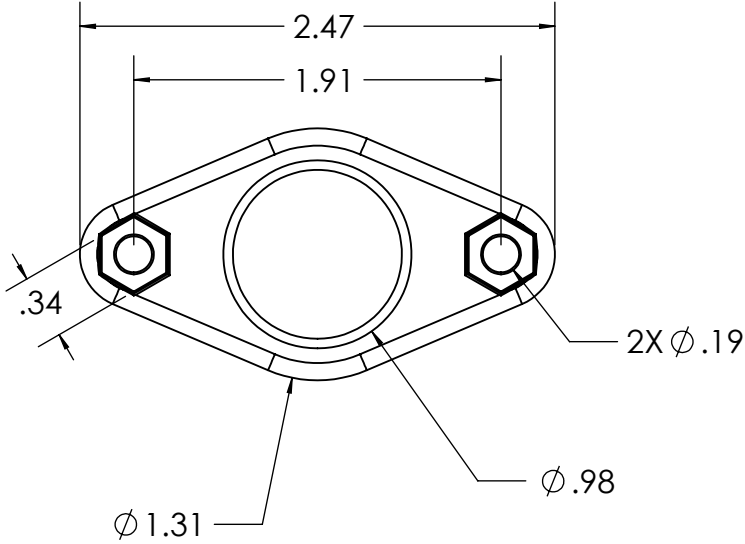
3

2

1

REVISIONS

REV.	DESCRIPTION	DATE	APPROVED



ALL DIMS IN INCHES EXCEPT DIMS IN BRACKETS [] ARE IN MILLIMETERS	TRACKING		NATIONAL PRODUCTS INC.
	INITIALS	DATE	
TOLERANCES: FRACTIONS ±1/32 DECIMALS .xx ±.03 .xxx ±.010 ANGLES ±1°	DRAWN	SMG 2/9/2017	DESCRIPTION
	APPROVED 1		RAM DIAMOND BASE W/ OCTAGON BUTTON
	APPROVED 2		
MATERIAL	THE INFORMATION CONTAINED IN THIS DRAWING IS THE SOLE PROPERTY OF NATIONAL PRODUCTS INC. ANY REPRODUCTION IN PART OR WHOLE WITHOUT THE WRITTEN PERMISSION OF NATIONAL PRODUCTS INC. IS PROHIBITED		PART NUMBER RAP-272U
FINISH			SCALE 1:1
			REV SHEET 1 of 1

5

4

3

2

1