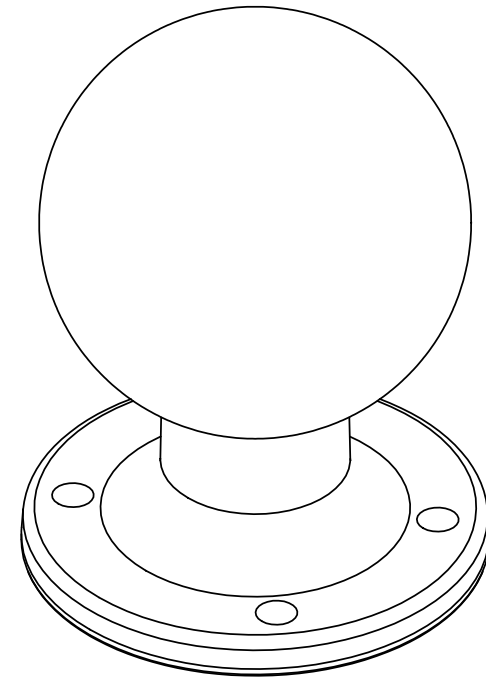
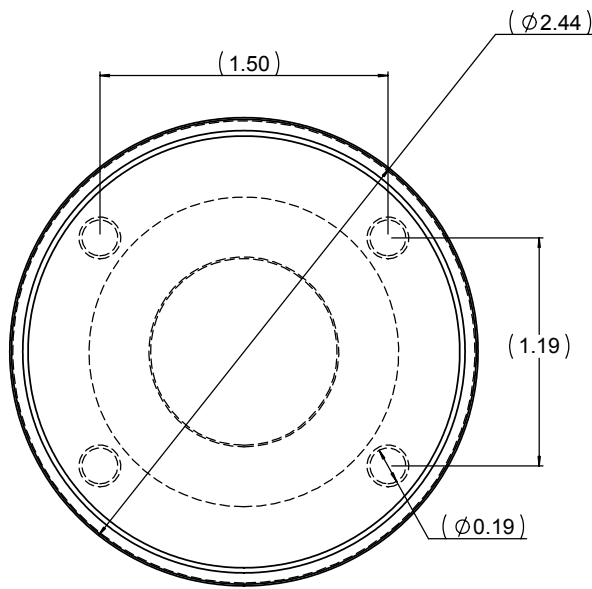
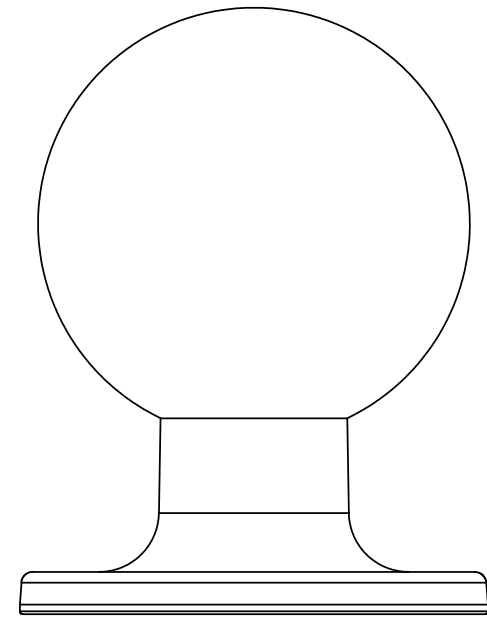
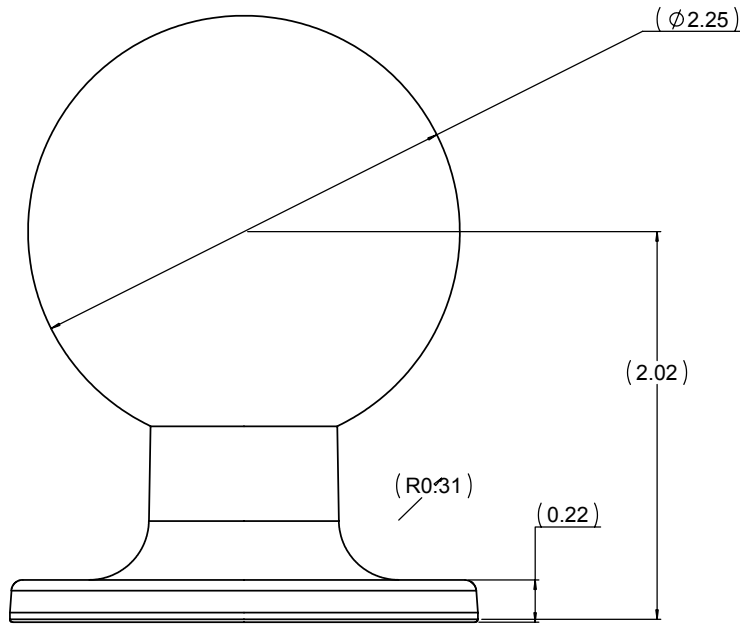


THE INFORMATION CONTAINED IN THIS DRAWING IS THE SOLE PROPERTY OF NATIONAL PRODUCTS INC. ANY REPRODUCTION IN PART OR WHOLE WITHOUT THE WRITTEN PERMISSION OF NATIONAL PRODUCTS INC. IS PROHIBITED.

REV.		DESCRIPTION	DATE	APPROVED



UNLESS OTHERWISE SPECIFIED DIMENSIONS ARE IN INCHES TOLERANCES ARE: FRACTIONS: DECIMALS ANGLES +/- 1/32 .XXX+ .06 +1 DEG. .XXX+ .030		CAD GENERATED DRAWING. DO NOT MANUALLY UPDATE		NATIONAL PRODUCTS INC.	
MATERIAL: ALUMINUM		APPROVALS: DRAWN: JDC CHECKED: [] RESP ENG: []	DATE: 04/04/01	RAM 2 7/16" DIAMETER BASE WITH 2 1/4" DIAMETER RUBBER BALL	
FINISH: BLACK POWDER COAT		MFG ENG: []	QUAL ENG: []	SIZE: C	REV: []
DO NOT SCALE DRAWING		SCALE: 1 TO 1		CAD FILE: RAMD254	SHEET 1 OF 1