

ProClip Mounting Platform

ProClip is a dashboard mounting bracket for installation of holders, mounting adapters and other accessories. Keep your communication devices attached to the dashboard in a secure and convenient way -always within easy sight and reach!

High Quality: The ProClip Mounting Platform has been produced and developed by Brodit AB since 1983. We meet the market's demand on quality products with functional solutions that are easy and convenient to use.

A Wide Range of Products: The ProClip is available for most left-hand drive vehicles as well as trucks and right-hand drive vehicles. A customized ProClip is usually ready when a new vehicle appears on the market.

Does not Damage the Interior: The interior of the vehicle will not be damaged as no drilling holes is required and you do not need to dismantle the dashboard.

Saves Time: The ProClip saves you time. Installation is easy, with no special tools required. Detailed instructions with pictures are included.

Many Alternatives: The ProClip has a firm fit. There are ProClips to suit various positions on the dashboard or console, giving you options for positioning and making several different installations in the vehicle.

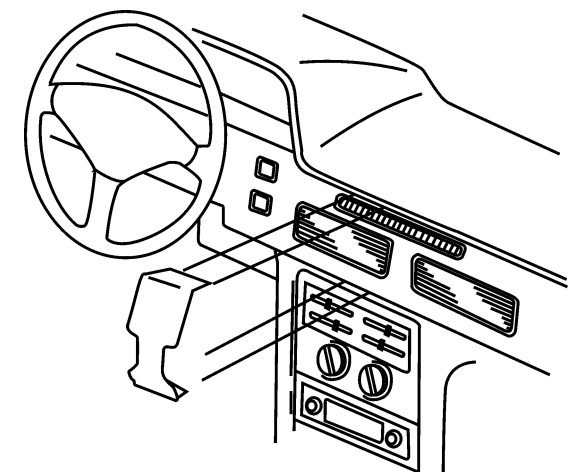
Safer Driving: With your device attached to the ProClip, it is always within easy reach. Our goal is to provide you with convenient products and solutions, to give you a safer driving environment while driving and operating your device.

Easy to find: All ProClips are listed in the Pocket Guide. The Pocket Guide is updated on a regular basis and distributed to distributors and resellers. You will also find an updated complete selection and other product information on our web site www.brodit.com



ProClip Mounting Platform

A mounting platform for installation of communication accessories in vehicles. Giving you a safer and more convenient driving environment when operating your mobile phone, PDA, GPS or other communication devices while driving.



Mounting Platform with Several Options!

