

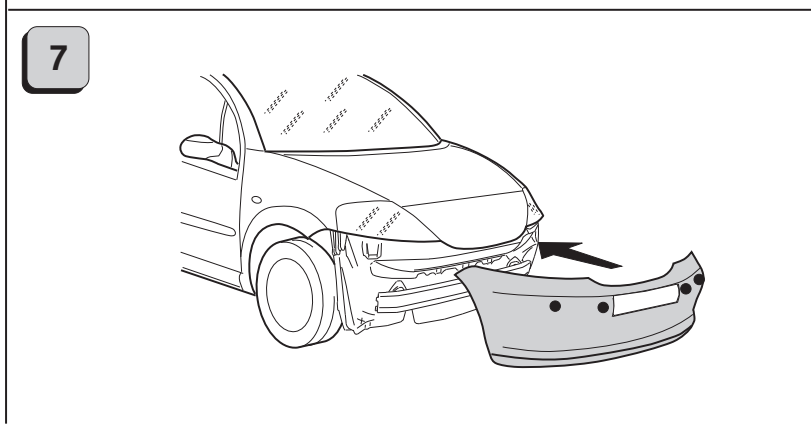
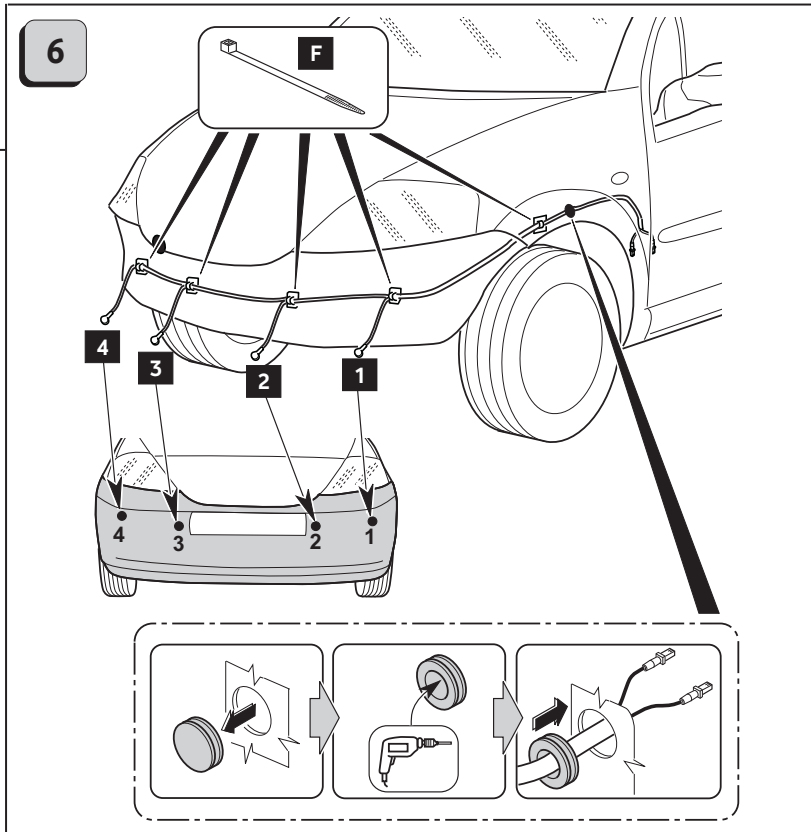
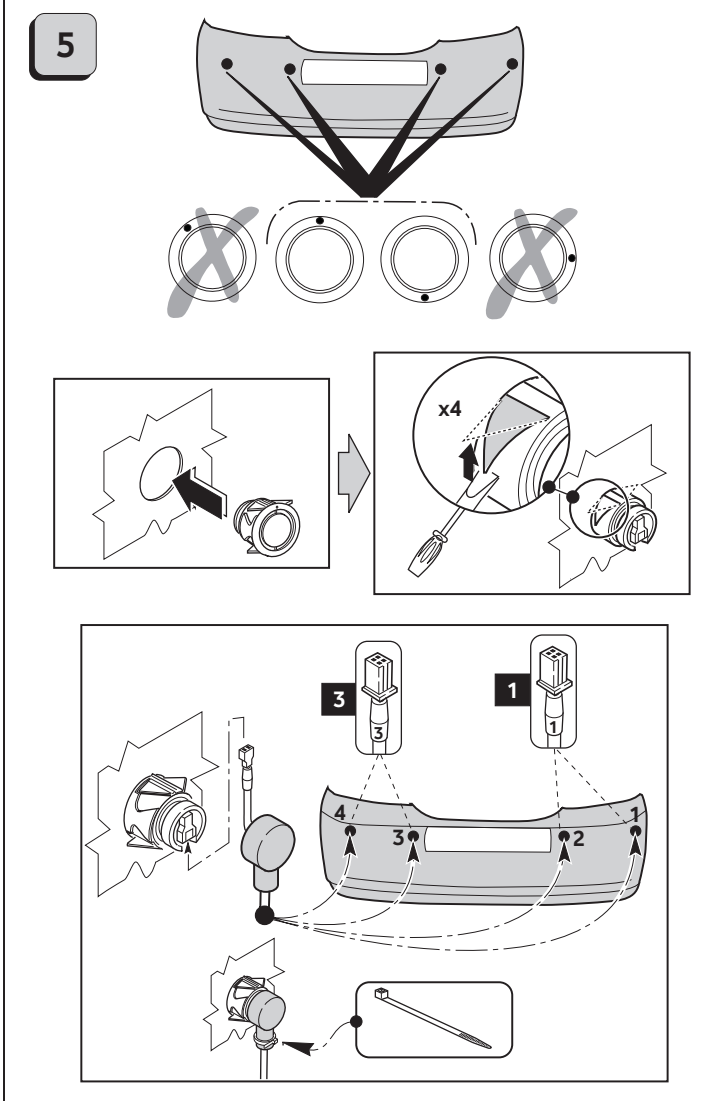
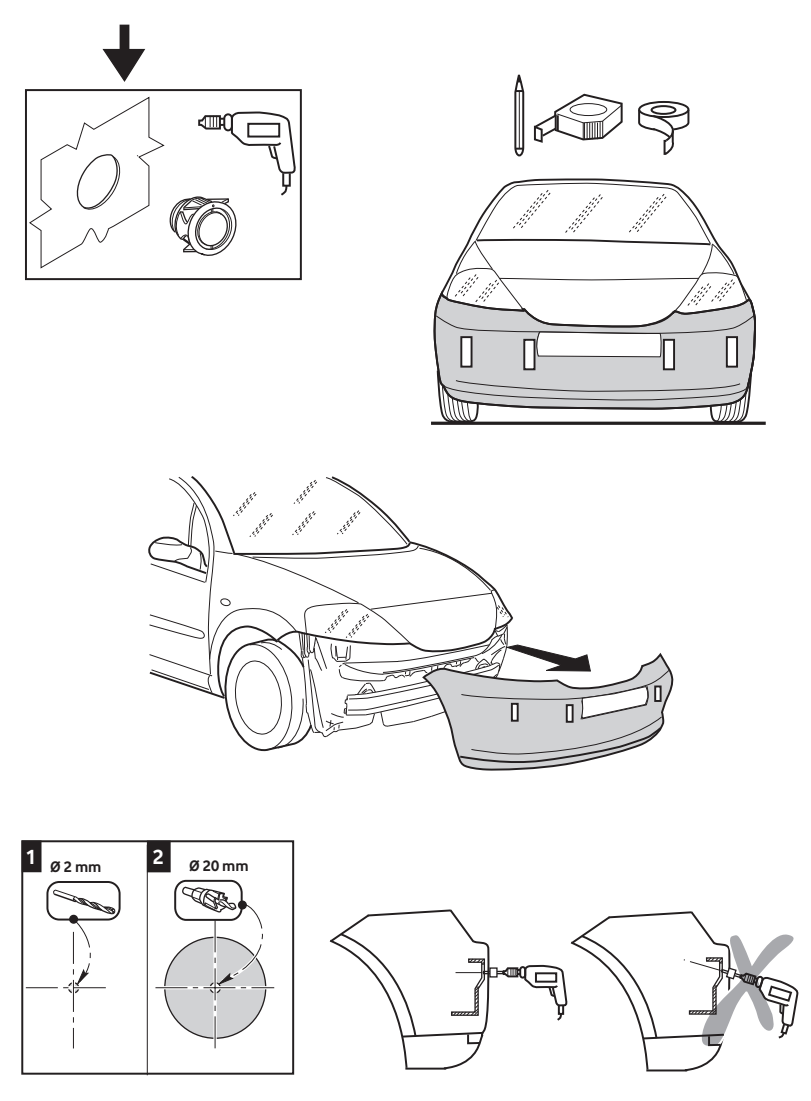
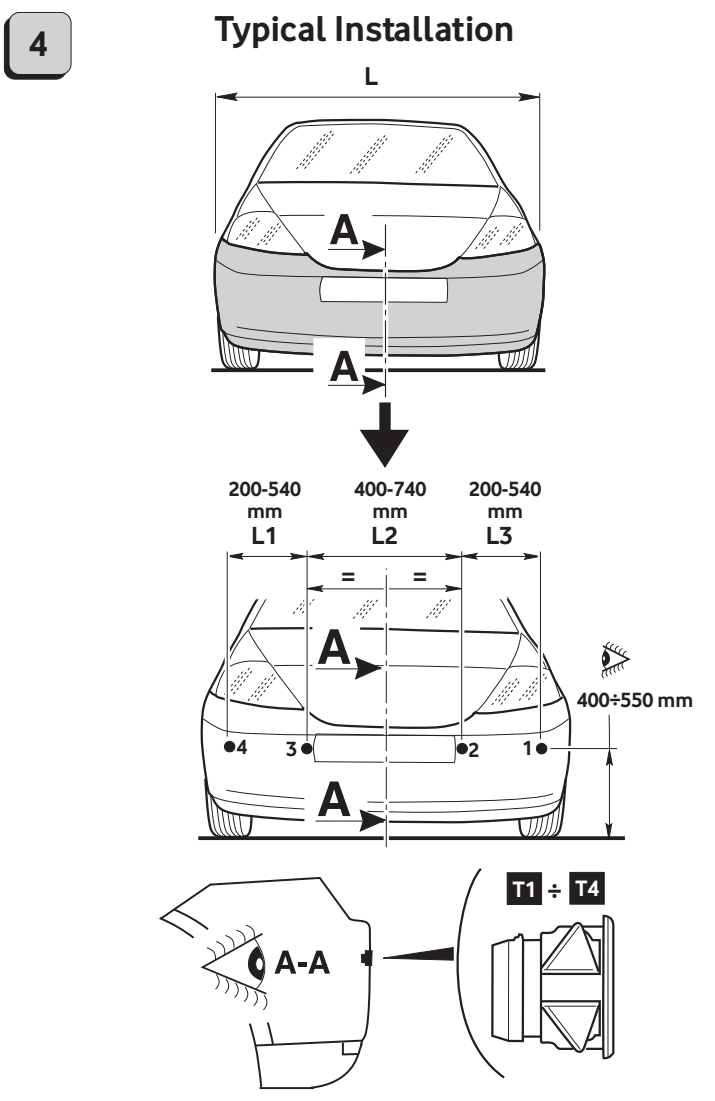
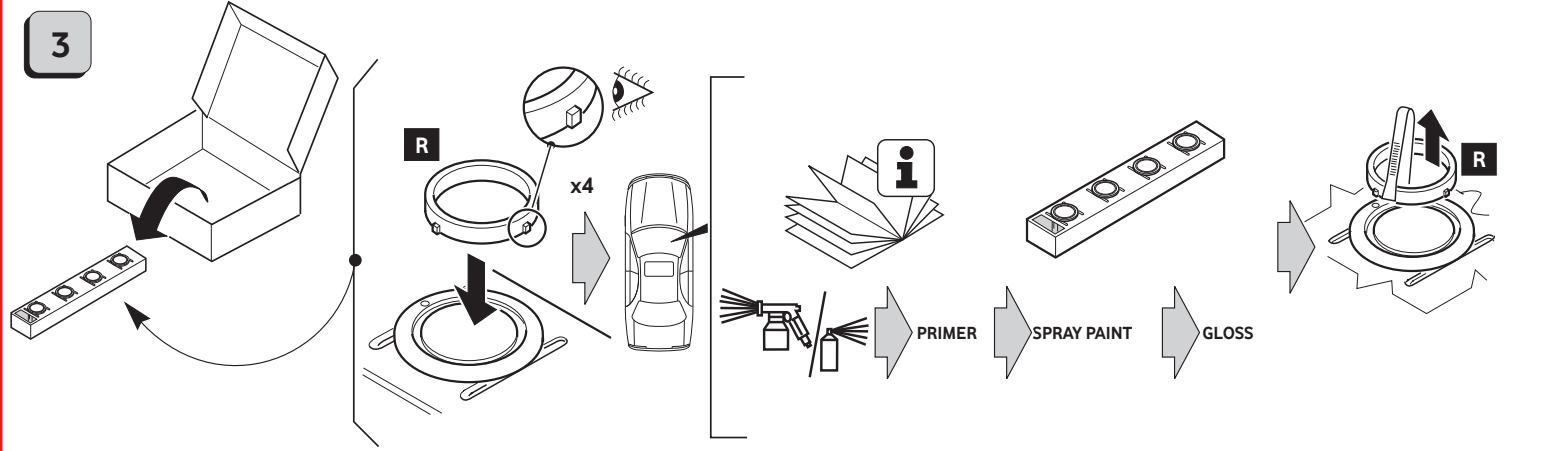
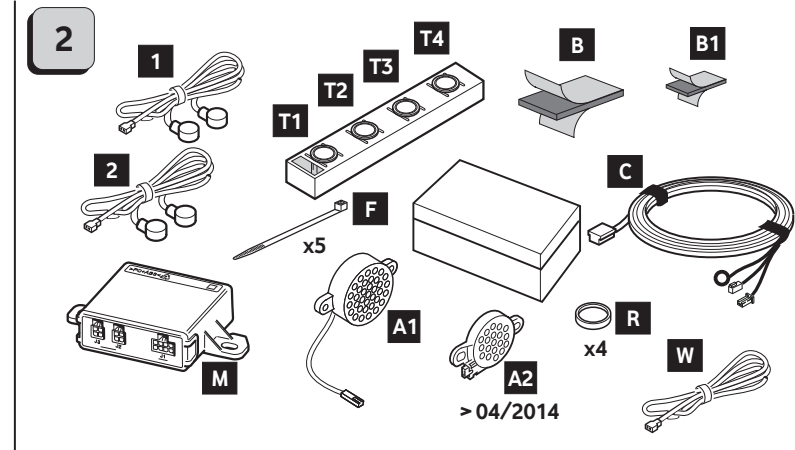
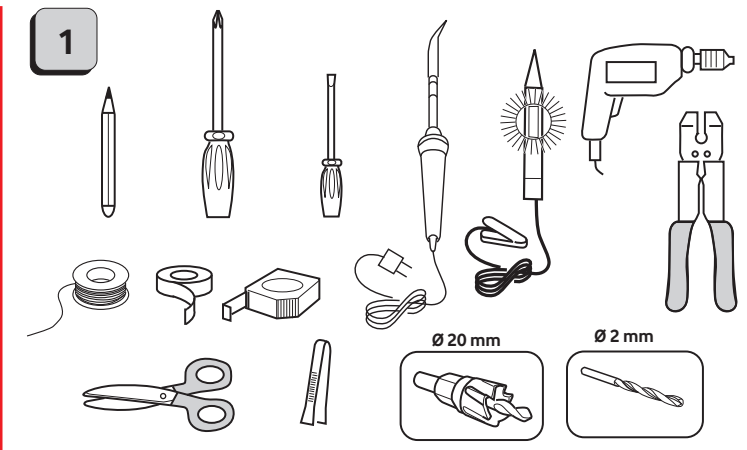
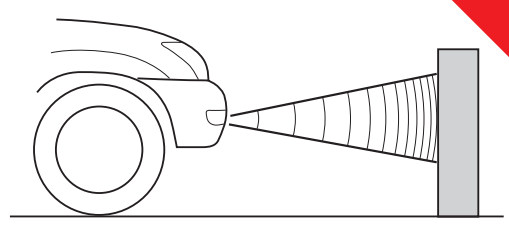
Cod. 06DE3784E date 05/2015

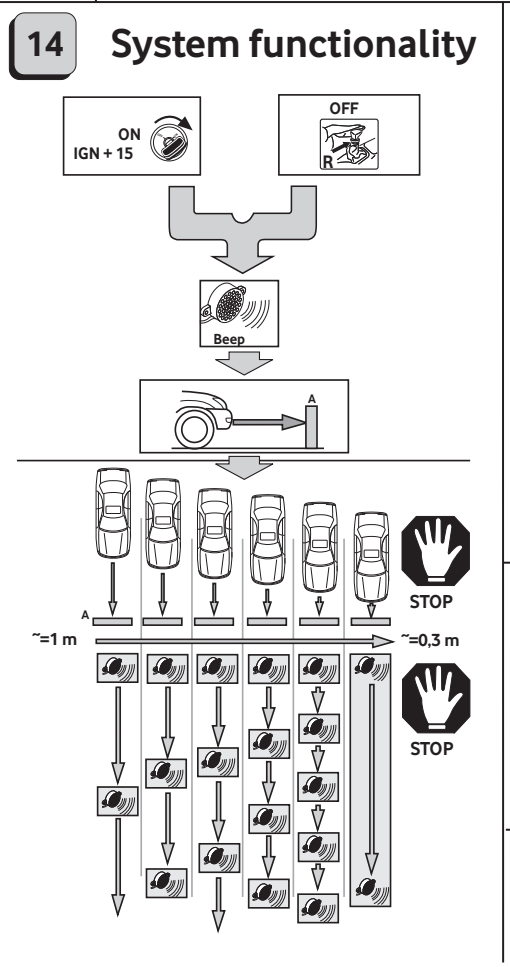
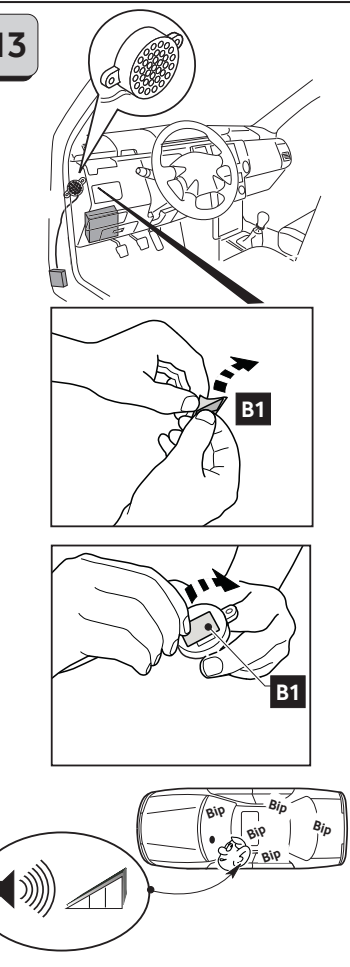
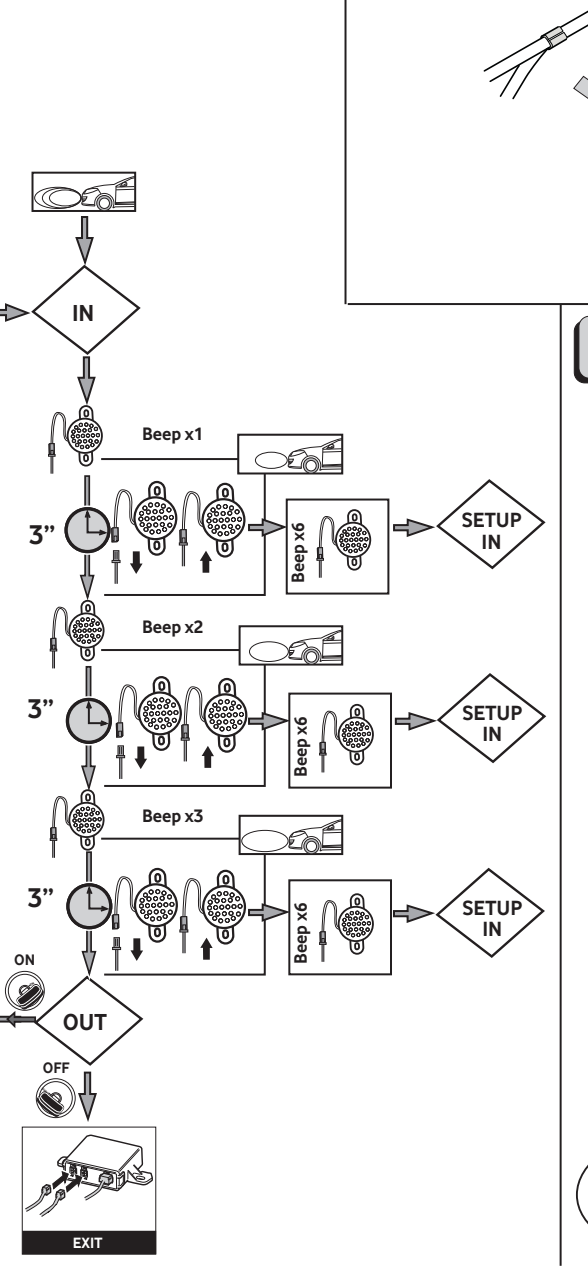
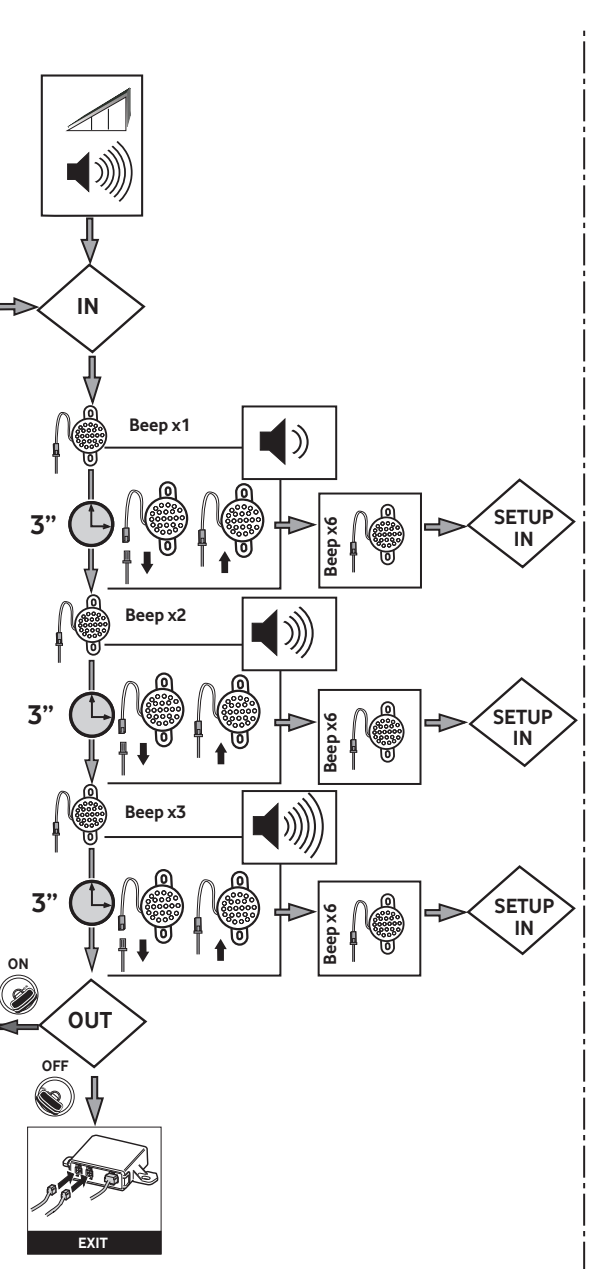
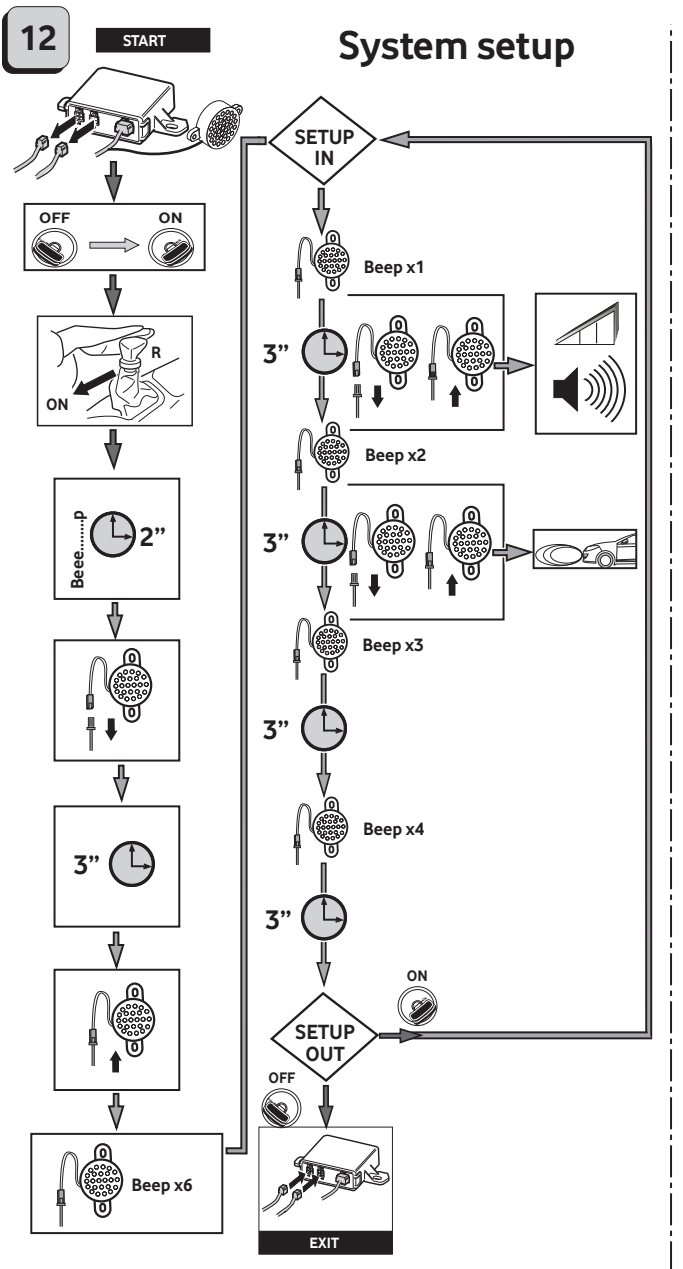
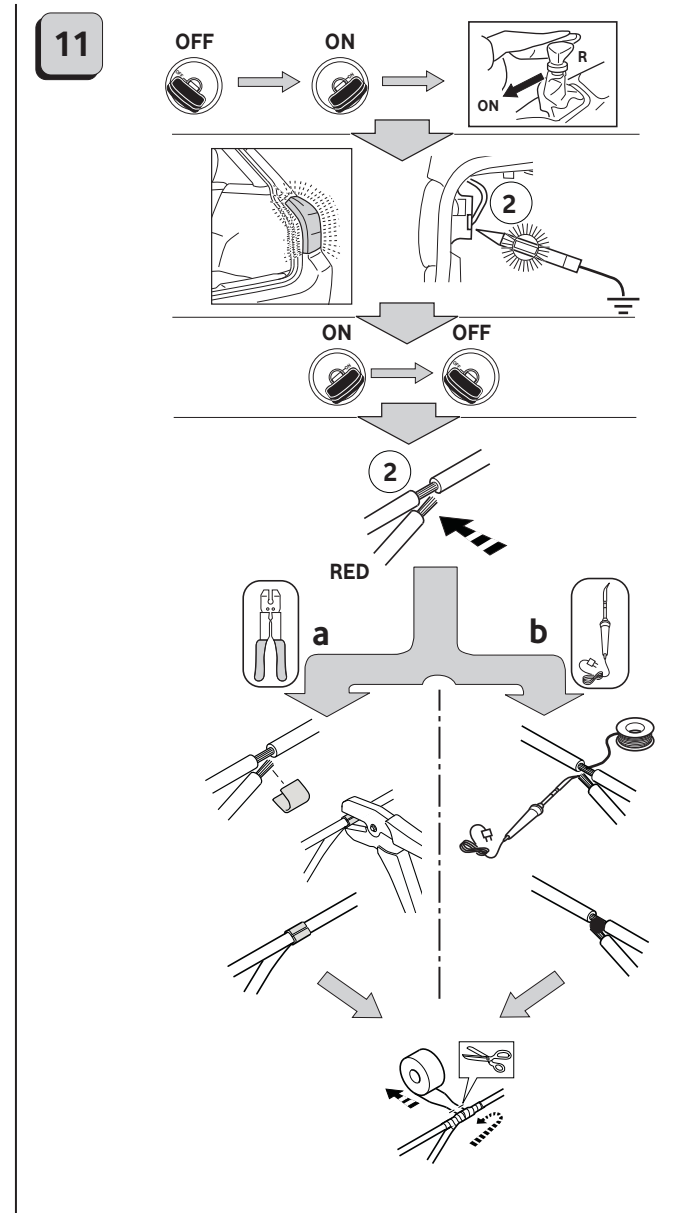
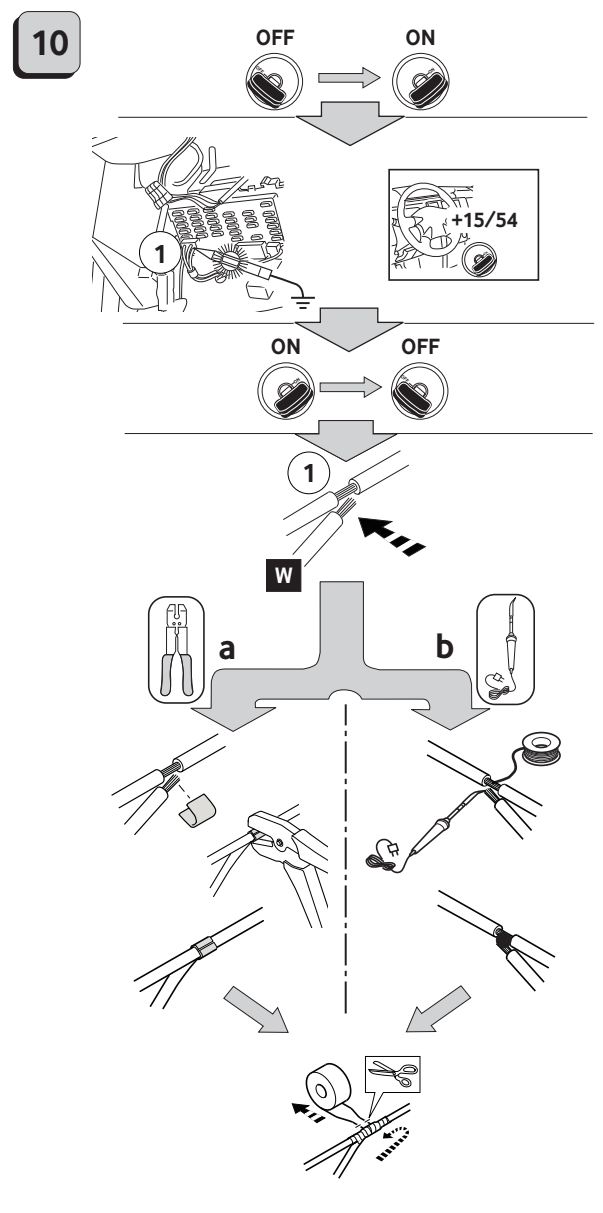
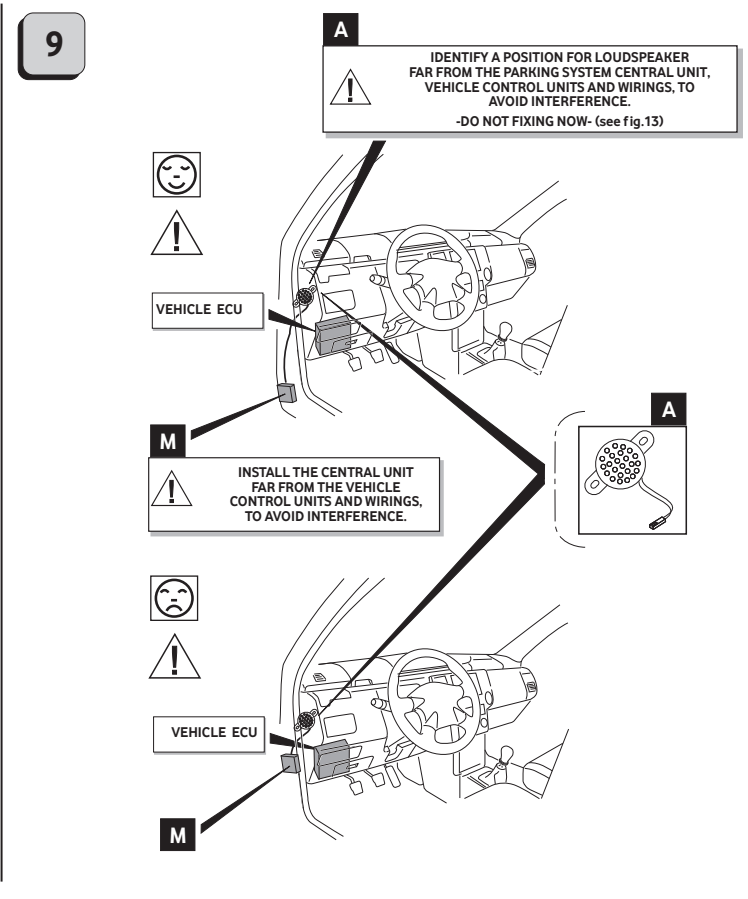
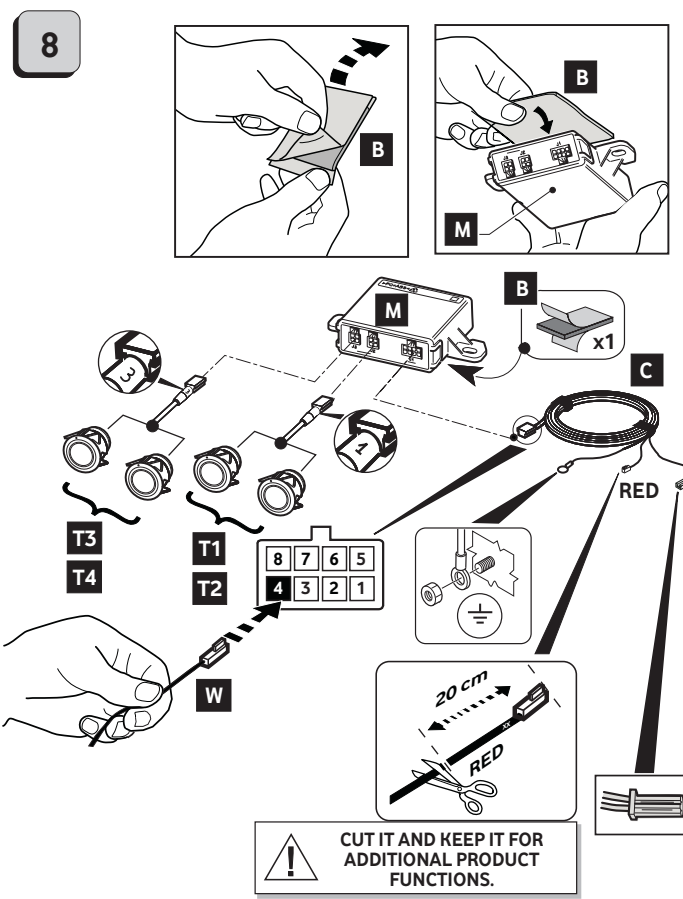


PARK MASTER FRONT F094-F194 - F294

Vodafone
Power to you

Vodafone Automotive SpA
Via Astico 41 - 21100 VARESE - ITALY
automotive.vodafone.com





12 VDC.

+15/54

A < 30 mA typ.

-40° C + 85° C

ELECTRICAL/ELECTRONIC SUB-ASSEMBLY WAS APPROVED WITH REGARD TO: E/EC/E/324-E/EC/TRANS/205 Add.9/Rev.3 Regulation No. 10 UNIFORM PROVISIONS CONCERNING THE APPROVAL OF VEHICLES WITH REGARD TO ELECTROMAGNETIC COMPATIBILITY.

Activation / Deactivation push button.

Order: RV3608EUSAA

(If not contained in the kit)

FOR ADDITIONAL FUNCTIONS SEE "INSTALLATION AND CONFIGURATION GUIDE" ON VODAFONE AUTOMOTIVE SITE.