



HD-Series

Manual Y451555



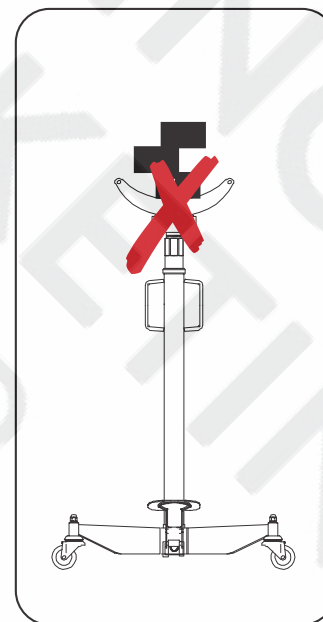
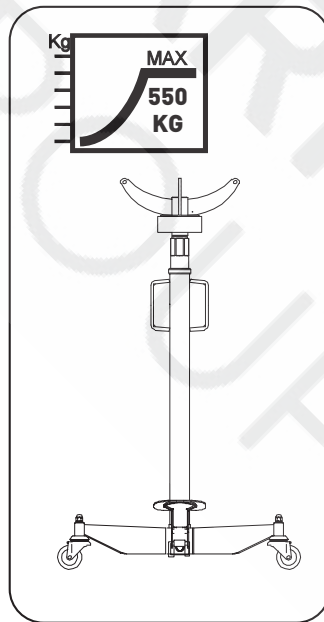
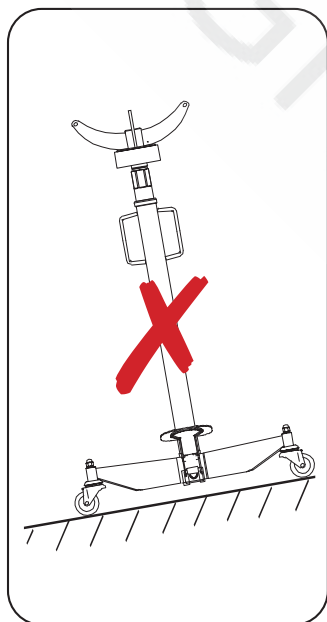
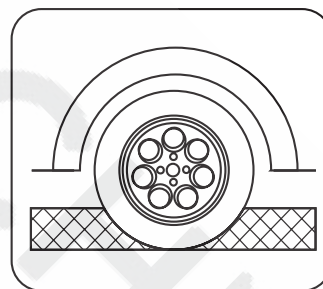


HD-Series

Manual Y451555



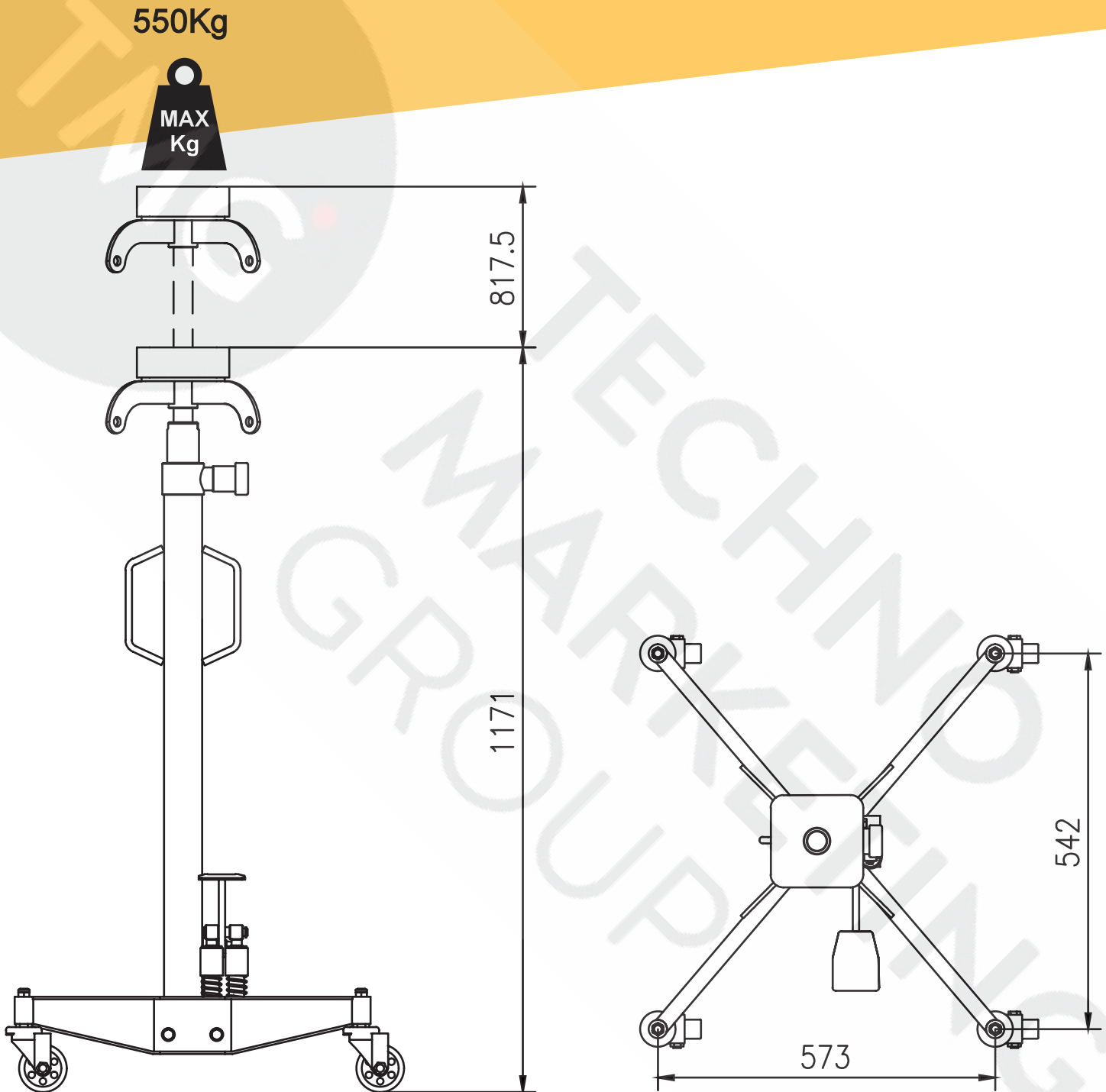
WARNINGS







HD-Series

Manual Y451555



Model	Min H. (mm)	Lifting H. (mm)	Max H. (mm)	Depth (mm)	Width (mm)		
Y451555	1171	817,5	1988,5	573	542	550 kg	31.2



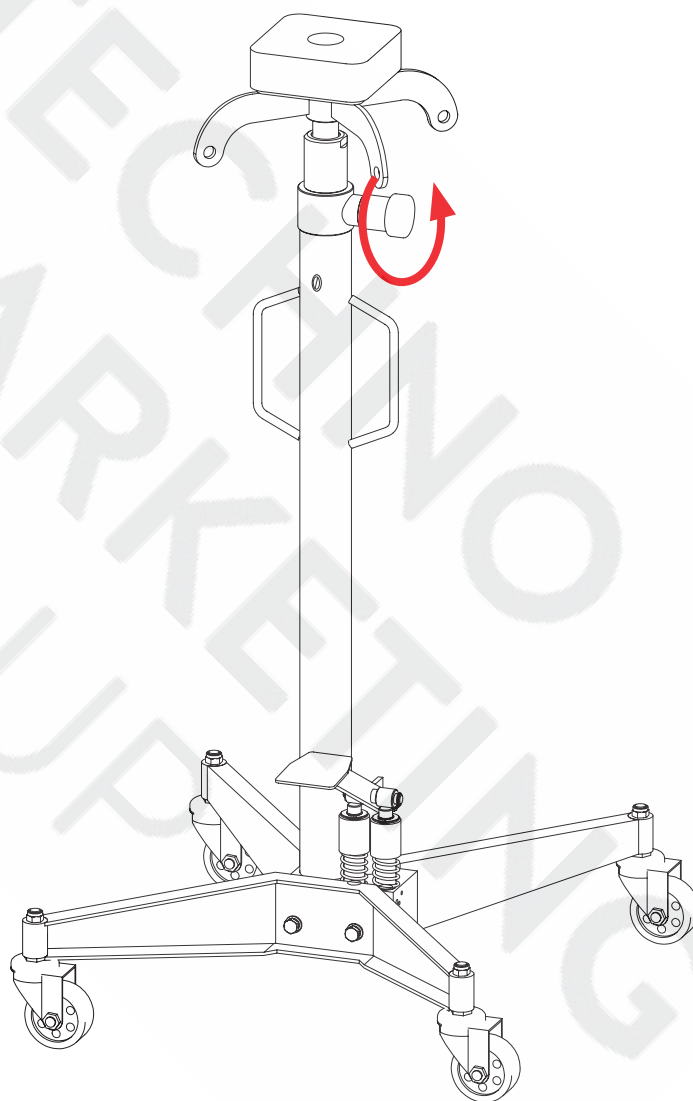
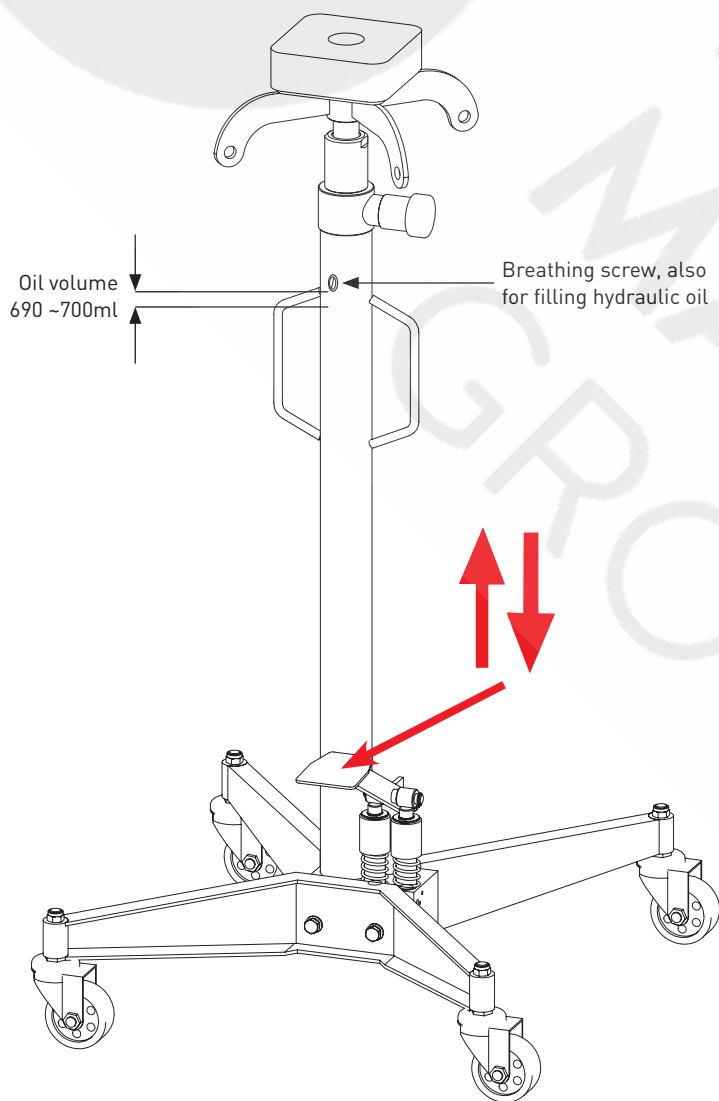
HD-Series

Manual Y451555

Rise



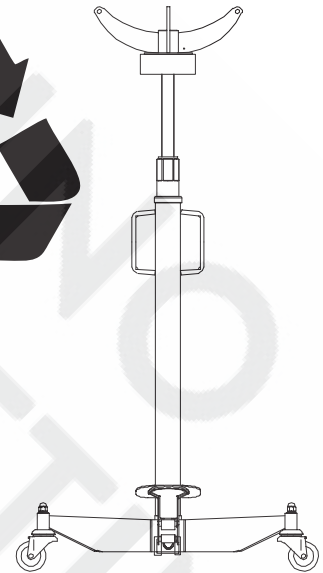
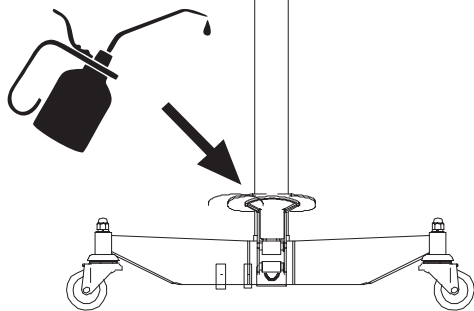
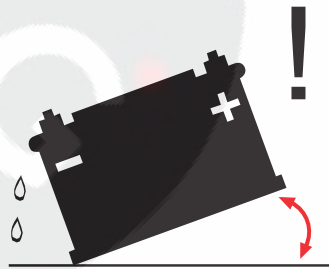
Descent





HD-Series

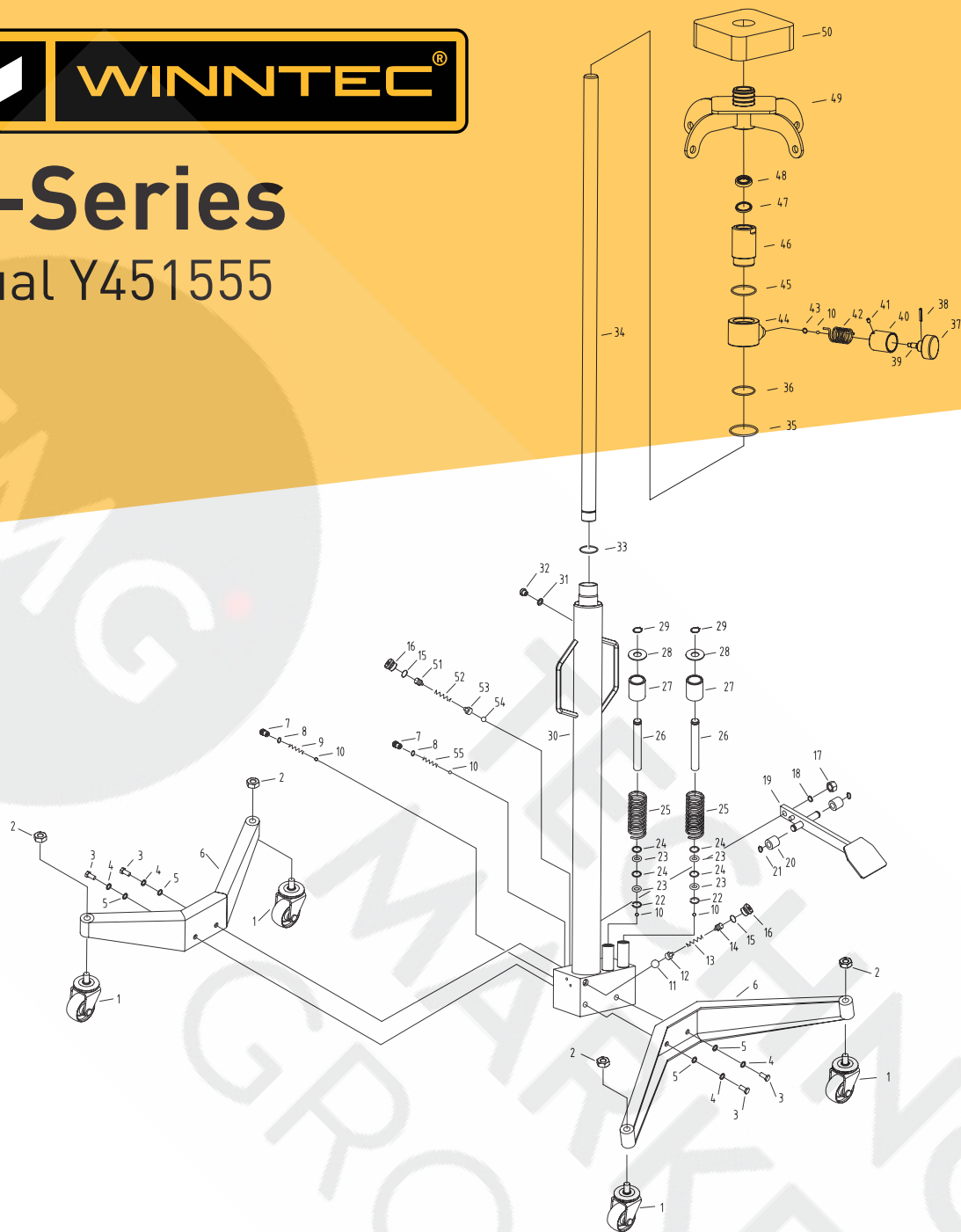
Manual Y451555





HD-Series

Manual Y451555



ART NR	DESCRIPTION	QTY	ART NR	DESCRIPTION	QTY	ART NR	DESCRIPTION	QTY
Y451555-1	SWIVEL CASTER	4	Y451555-21	RETAINER RING 12	2	Y451555-41	SCREW M6X10	1
Y451555-2	NUT M12	4	Y451555-22	WASHER	2	Y451555-42	TORSIONAL SPRING	1
Y451555-3	BOT M10X20	4	Y451555-23	O-RING 15.6X2.6**	4	Y451555-43	O-RING 12X2.65**	1
Y451555-4	WASHER 10	4	Y451555-24	RETAINER RING**	4	Y451555-44	TOP CAP BASE WELDMENT	1
Y451555-5	WASHER 10	4	Y451555-25	PRESS. SPRING PUMP PISTON	2	Y451555-45	O-RING 43.7X3.55	1
Y451555-6	LEG	2	Y451555-26	PUMP PISTON	2	Y451555-46	NUT	1
Y451555-7	SEALING SCREW	2	Y451555-27	DUST PROOF COVER	2	Y451555-47	Y-RING UNS30X38X5**	1
Y451555-8	O-RING 8.5X2	2	Y451555-28	WASHER	2	Y451555-48	DUST PROOF RING**	1
Y451555-9	HIGH-PRESSURE SPRING	1	Y451555-29	RETAINER RING 16	2	Y451555-49	SADDLE ASSEMBLY	1
Y451555-10	STEEL BALL 6.0000 G16	5	Y451555-30	BASE ASSEMBLY	1	Y451555-50	FOAM PAD	1
Y451555-11	STEEL BALL 4.5000 G16	1	Y451555-31	O-RING	1	Y451555-51	ADJUST SCREW	1
Y451555-12	VALVE BOAT	1	Y451555-32	SEALING SCREW	1	Y451555-52	SAFETY VALVE SPRING	1
Y451555-13	SAFETY VALVE SPRING	1	Y451555-33	PISTON RING	1	Y451555-53	BALL SEAT VALVE	1
Y451555-14	ADJUST SCREW	1	Y451555-34	PISTON ROD	1	Y451555-54	STEEL BALL 5.0000 G16	1
Y451555-15	SEALING WASHER	2	Y451555-35	SEALING RING	1	Y451555-55	HIGH-PRESSURE SPRING	1
Y451555-16	SEALING SCREW	2	Y451555-36	O-RING 40X2.65	1	Y451555-RK	INCLUDING #	
Y451555-17	NUT M10	1	Y451555-37	HANDLE KNOB	1			
Y451555-18	WASHER 12	1	Y451555-38	SCREW M6X10	1	** NOTE: PARTS IN THE REPAIR KIT		
Y451555-19	FOOL PEDAL	1	Y451555-39	OIL DRAIN VALVE STEM	1			
Y451555-20	ROLLER WHEEL	2	Y451555-40	TORSIONAL SPRING COVER	1			



HD-Series

Manual Y451555

F: DÉCLARATION DE CONFORMITÉ

Nous: Winntec
Adresse: Rechtzaad 6
4703 RC Roosendaal The Netherlands

déclarons sous notre seule responsabilité que les produits auxquels se réfère cette déclaration sont conformes aux dispositions des Directives: 2006/42/EC, EN 1494:2000+A1:2008

NL: VERKLARING VAN OVEREENKOMST

Wij: Winntec
Adres: Rechtzaad 6
4703 RC Roosendaal The Netherlands

verklaren geheel onder eigen verantwoordelijkheid dat de volgende producten, waarop deze verklaring betrekking heeft, in overeenstemming zijn met de bepalingen van Richtlijn: 2006/42/EC, EN 1494:2000+A1:2008

I: DICHIARAZIONE DI CONFORMITÀ

Noi: Winntec
Indirizzo: Rechtzaad 6
4703 RC Roosendaal The Netherlands

dichiariamo sotto la nostra esclusiva responsabilità che i prodotti ai quali questa dichiarazione si riferisce sono conformi a quanto previsto dalle direttive: 2006/42/EC, EN 1494:2000+A1:2008

E: DECLARACIÓN DE CONFORMIDAD

Nosotros: Winntec
Dirección: Rechtzaad 6
4703 RC Roosendaal The Netherlands

declaramos bajo nuestra exclusiva responsabilidad la conformidad de los productos a los que refiere esta declaración, con las disposiciones de Directiva: 2006/42/EC, EN 1494:2000+A1:2008

P: DECLARAÇÃO DE CONFORMIDADE

Nós: Winntec
Endereço: Rechtzaad 6
4703 RC Roosendaal The Netherlands

declaramos, sob nossa única responsabilidade, que os seguintes produtos, incluídos nesta declaração estão em conformidade com o disposto na Directiva: 2006/42/EC, EN 1494:2000+A1:2008

SE: FÖRSÄKRAN OM ÖVERESSTÄMMELSE

Vi: Winntec
Adress: Rechtzaad 6
4703 RC Roosendaal The Netherlands

försäkrar under eget ansvar att följande produkter som omfattas av denna försäkran är i överensstämmelse med villkoren i direktiv: 2006/42/EC, EN 1494:2000+A1:2008

N: ERKLÆRING OM OVERENSSTEMMELSE

Vi: Winntec
Adresse: Rechtzaad 6
4703 RC Roosendaal The Netherlands

erklærer på eget ansvar, at følgende produkter som dekkes af denne erklæringen, er i overensstemmelse med bestemmelsene i Direktiv: 2006/42/EC, EN 1494:2000+A1:2008

DK: ÖVERENSSTEMMELSESERKLÄRING

Vi: Winntec
Adresse: Rechtzaad 6
4703 RC Roosendaal The Netherlands

erklærer på eget ansvar et følgende produkter som er omfattet af denne erklæring, er i overensstemmelse med bestemmelserne i Direktiv: 2006/42/EC, EN 1494:2000+A1:2008

Fin: ÖVERENSSTEMMELSESERKLÄRING

Me: Winntec
Osoite: Rechtzaad 6
4703 RC Roosendaal The Netherlands

vakuutamme yksinomaan omalia vastuullamme, että seuraavat tuotteet, joihin tämä vakuutus liittyy, ovat seuraavien direktiivien vaatimusten mukaisia: 2006/42/EC, EN 1494:2000+A1:2008

GB: DECLARATION OF CONFORMITY

We: Winntec
Address: Rechtzaad 6
4703 RC Roosendaal The Netherlands

declare under our sole responsibility that the following products to which this declaration relates conform with the provisions of Directives: 2006/42/EC, EN 1494:2000+A1:2008

D: KONFORMITÄTSEKTLÄRUNG

Wir: Winntec
Anschriift: Rechtzaad 6
4703 RC Roosendaal The Netherlands

erklären auf eigene Verantwortung, daß folgende Produkte, auf die sich diese Erklärung bezieht, mit den Bedingungen der Direktiven: 2006/42/EC, EN 1494:2000+A1:2008



Typ,tyyppi,type,type,Typ,type.tipo,type.tipo,tipo: Y451555

Ralph Dubbeldam
Managing Director
Winntec, 2022-07-30
Roosendaal The Netherlands



HD-Series

Manual Y451555

UK: DECLARATION OF CONFORMITY

We: Winntec

Address: Rechtzaad 6
4703 RC Roosendaal The Netherlands

declare under our sole responsibility that the following products to which this declaration relates conform with the provisions of regulation(s): Supply of Machinery (Safety) Regulations 2008 and the harmonised standard(s): BS EN 1494:2000+A1:2008



Type: Y451555

Ralph Dubbeldam
Managing Director
Winntec, 2022-07-30
Roosendaal The Netherlands

GROUPEMKTEN