

## ◆ MXN25C-HD Camera



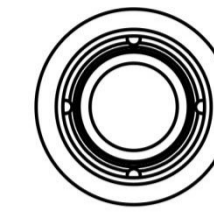
## ◆ Features

- High resolution, Digital Color Camera
- HD CMOS camera (2.07 Mega pixels)
- Slim & Smart Design
- Easy adjustable in any viewing direction
- Auto White Balance
- WDR (Wide Dynamic Range)
- Automatic Electronic Iris
- LDC (Lens Distortion Correction)
- IP69K Waterproof Rating
- Main Viewing angle 130°, 160° or 200° Diagonally\*
- Digital ZOOM ON/OFF function (via remote wire) \* Optional
- Normal/Mirror Image adjustable function (via loop wire) \* Optional
- Low-illumination
- Low Power Consumption
- Multi-purpose  
(Frontview, sideview, rearview, surveillance, etc)
- Anti-corrosive coating
- Operating temperature -40°C to +80°C
- Vibration resistant (10G)
- Waterproof screw type connector, 4-pin mini-DIN.
- ECE R10.05 approved (EMC)

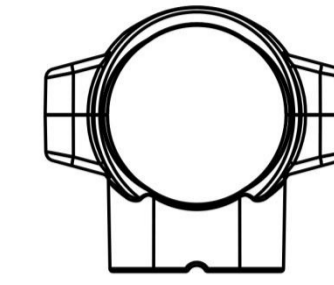
\* Available models & main viewing angle per model:

<b>MXN25C-HD-130</b>	131° Diagonal, 105° Horizontal, 55° Vertical
<b>MXN25C-HD-160</b>	158° Diagonal, 130° Horizontal, 70° Vertical
<b>MXN25C-HD-200</b>	198° Diagonal, 180° Horizontal, 83° Vertical

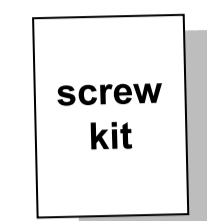
## ◆ Contents



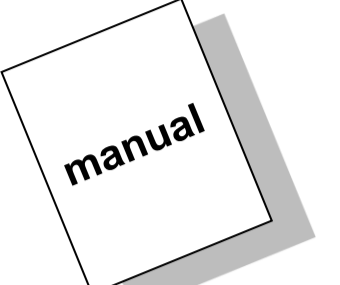
Camera x 1



Camera Bracket x 1



Screw kit x 1



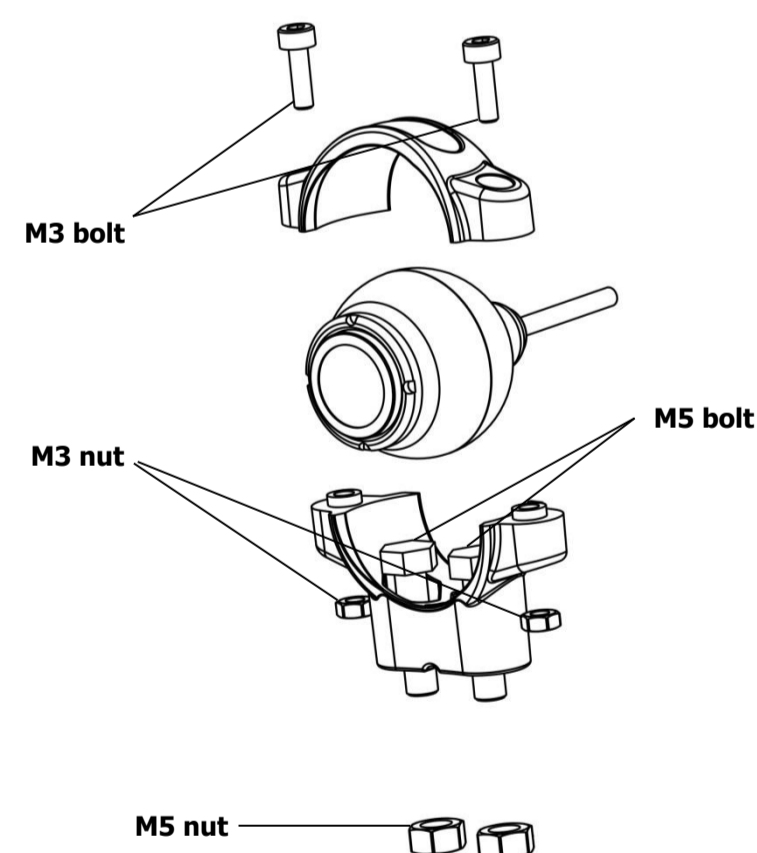
Manual x 1

## ◆ Technical Specifications

Image Sensor	1/2.8" Sony CMOS Sensor (Exmor)	
Effective Pixels	2.07 Mega pixels, 1920(H) x 1080(V)	
Resolution	750 TV lines	
Synchronizing System	Internal	
Video Output	PAL, CVBS, 75 Ohms, 1.0Vp-p	
Audio Input	High Sensitive C-Microphone	
S/N Ratio	More than 48dB	
Minimum Illumination	0.5 Lux	
Power Consumption	DC 12V, 100mA	
Power Range	DC 9V ~ DC 32V	
Operating Temperature	-40°C to +80°C	
Dimensions	Approx. Φ 30 mm, 48.6(W) x 42.32(D) x 39.92(H) incl. Bracket	
Weight	Approx. 70g	
Viewing Angle during activated Zoom function	<b>MXN25C-HD-130</b>	42° Diagonal, 32.5° Horizontal, 27° Vertical
	<b>MXN25C-HD-160</b>	49° Diagonal, 38° Horizontal, 32° Vertical
	<b>MXN25C-HD-200</b>	64° Diagonal, 50° Horizontal, 40° Vertical

## ◆ Installation

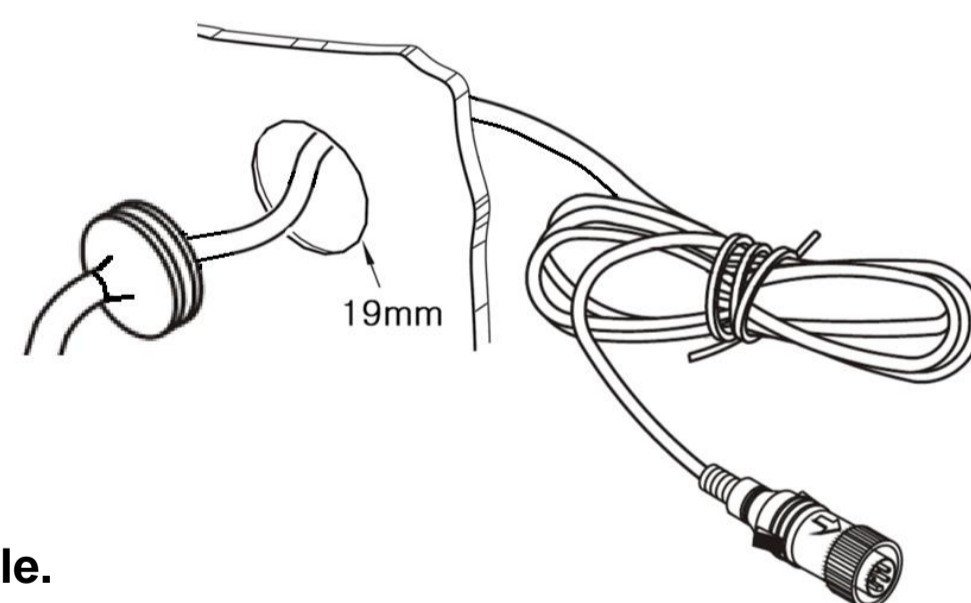
### ■ Camera Assembly



1. Fix the supplied camera bracket to the vehicle.
2. Fix the bracket with camera according to drawing.
3. Adjust the viewing angle of the camera and fasten the screws firmly.

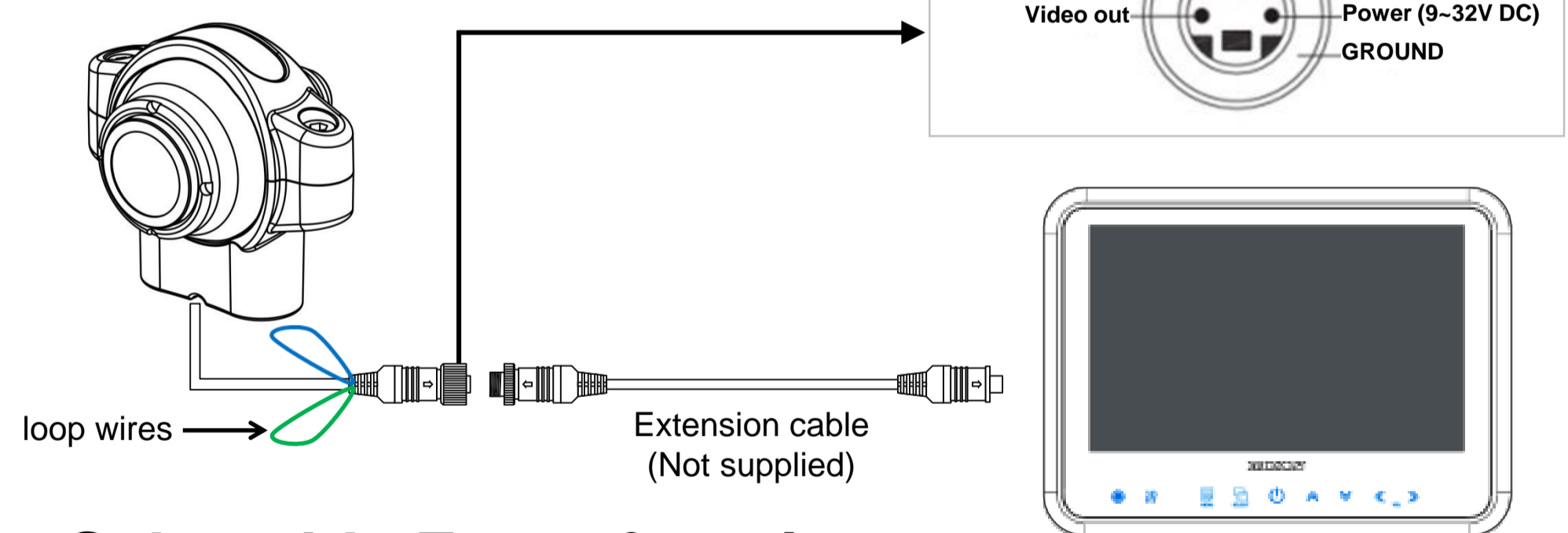
### ■ Cable grommet

Drill a suitable hole (approx. Ø 19mm) and insert the cable grommet.  
Just before final fixation, please apply a proper sealant (for prevention) between the hole and the grommet and also between the cable and the grommet.



### ■ Wiring to Monitor

Run the cable from the camera to the monitor.



### ■ Selectable Zoom function

- The Zoom function can be controlled via the BLUE loop wire:
- \* Blue loop wire un-cut : Full image (Zoom function => OFF)
  - \* Blue loop wire cut : Zoom image (Zoom function => ACTIVATED)

### ■ Normal / Mirror Image adjustment (optional)

- The Normal / Mirror image can be changed via the GREEN loop wire:
- \* Green loop wire un-cut : MIRROR image
  - \* Green loop wire cut : NORMAL image

### ■ Securing cable connection

1. Match the arrow marks and press the connectors together.
2. Screw the camera connector up clockwise.



3. Tighten cable connection firmly in order to prevent water ingress.

**Note!**  
Warranty will not be valid if the problem is related to moist / corrosion in the connector.

### ■ Caution !!

1. Before making the connection, disconnect the ground terminal from the battery to avoid short circuits.
2. The plugs should be fully inserted into the connectors or jacks. A loose connection may cause malfunctioning of the unit.
3. A damaged cable may affect the operation of the camera and may even cause a malfunction of the camera or monitor: Avoid a damaged cable!
4. Protect the cable by using a guide tube, pipe or run the cable inside the vehicle as much as possible. Caution! Run the cable in natural shapes in order to prevent cable breaks.
5. Preferably use an acid free grease in between the waterproof screw type connectors and tighten them firmly each other.