

Features

- High Resolution 15" Digital TFT LCD Monitor
- Metal Case Housing
- Free Input Voltage (DC 12V ~ 30V)
- Suitable for desk-mount, flush-mount or wall-mount
- PAL/NTSC compatible
- 4 Camera inputs: 4-pin mini DIN or BNC connector
- Motorized shutter-camera support
- 5 Trigger inputs
- 1 A/V input & 1 A/V output (RCA)
- DVI input
- RGB input (VGA)
- Various Display Modes: Single / Split / Triple / Quad
- On Screen Display (OSD)
- Built-in Speakers
- User-friendly Backlight Dimmer control (Day/Night)
- Illuminated control buttons
- CE approved



◆ Specifications

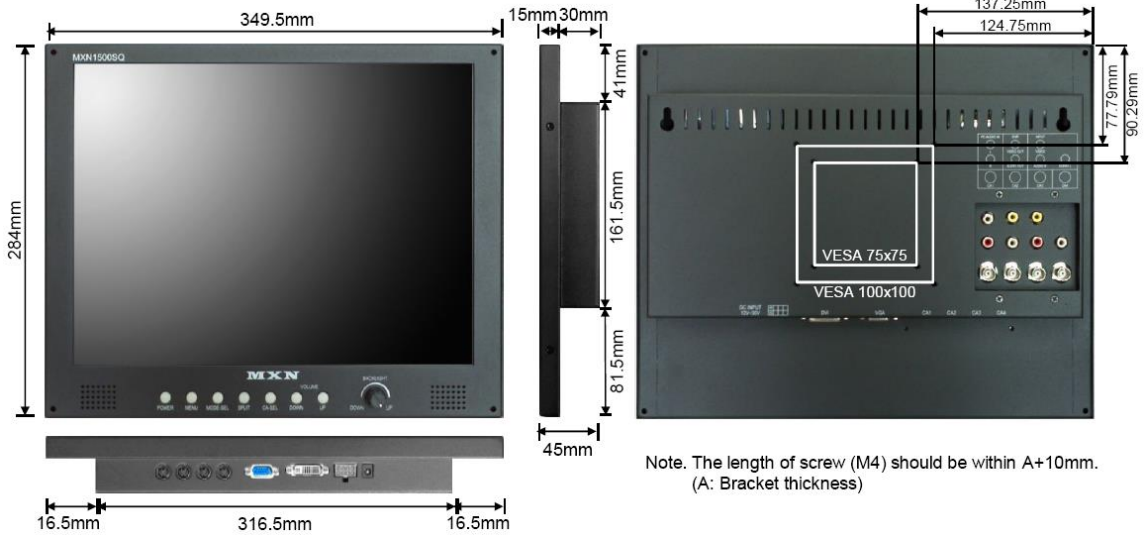
Screen Size	15 inch / 38 cm
Aspect Ratio	4:3
Resolution	Digital TFT LCD 1024 x 768
Viewing Angle	Left: 80°, Right: 80°, Up: 60°, Down: 80°
Video System	PAL / NTSC
Brightness	400 cd/m ²
Contrast Ratio	700:1
Backlight Dimmer	Adjustable from 100% ~ 0% (by manual turning knob)
Power Input	DC 12V ~ 30V Input
Power Consumption	Max. 25watt
Speaker	8Ω, 2 Watt (2 pcs)
Connector	- 4 Camera Inputs: 4-pin mini DIN or BNC connector - 1 A/V Input: RCA - DVI Input - RGB Input - 1 A/V Output: RCA (DVR)
Operating Temperature	0 ~ 60°C
Dimensions Housing	349.5(W) x 284(H) x 45(D)mm
Weight	2.6 kg

Accessories

- Power cable (8-pin Molex connector)
- Cable reinforcement bracket
- AC 230V~DC 12V power adapter
- AC power cord
- Desk stand

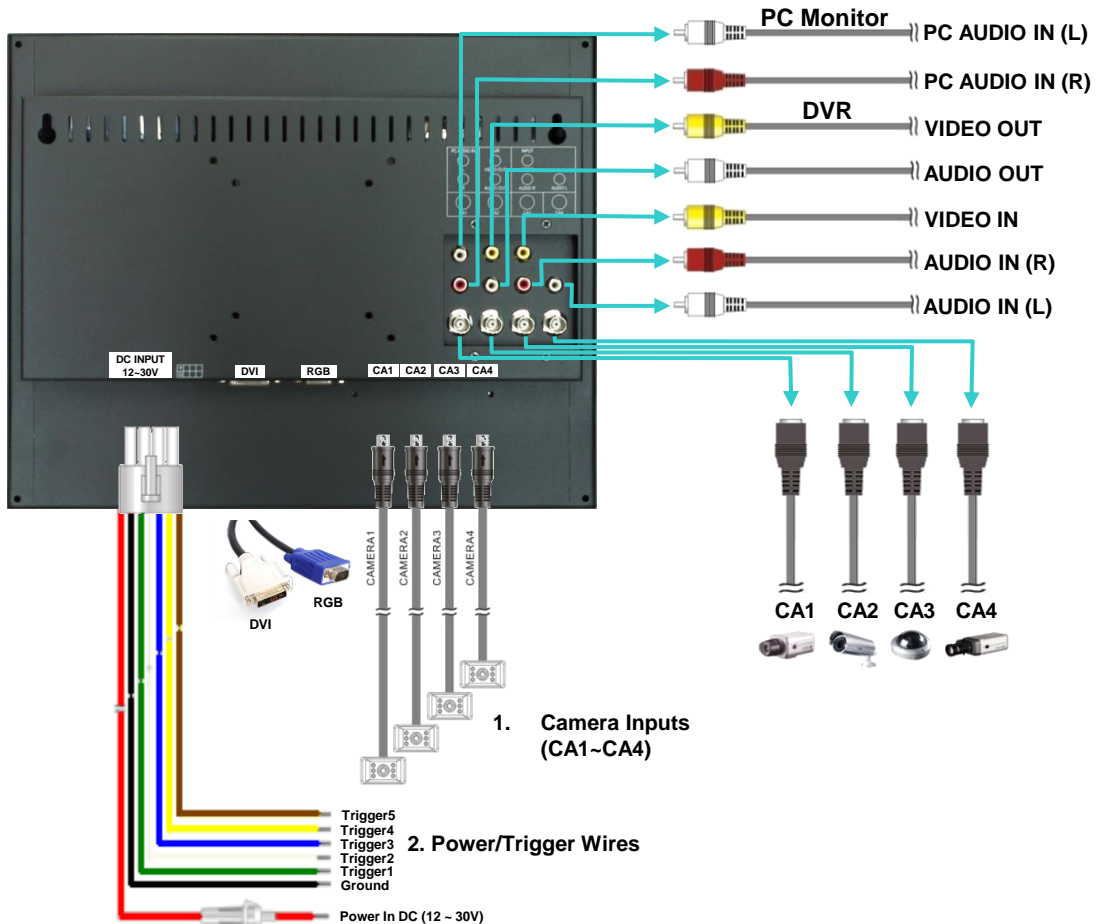


Dimensions



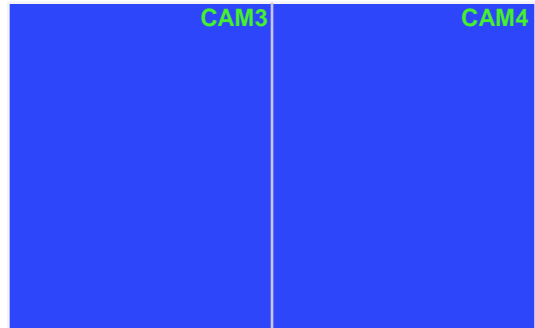
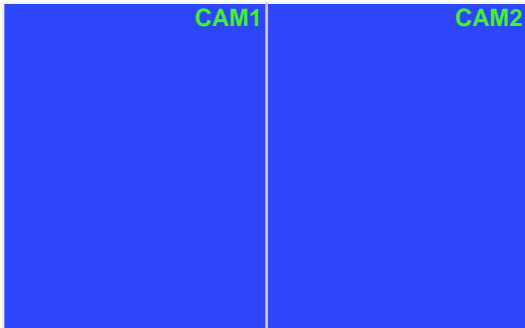
Note. The length of screw (M4) should be within A+10mm.
(A: Bracket thickness)

Connection

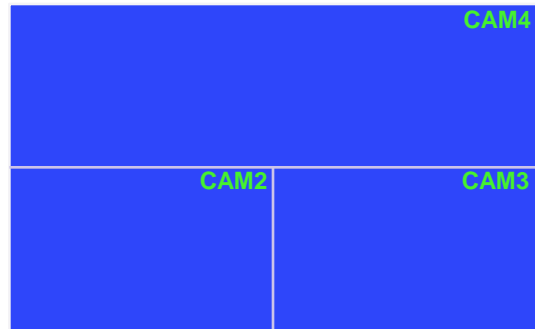


Display modes

2SPLIT



3SPLIT



4SPLIT(QUAD)

