

# MDVR-A5-E0804

Streamax - Mobile Digital Video Recorder



## Main Features

- ◆ Supports 8 channels WD1+4 channels IPC(720P)
- ◆ Modular design for easy maintenance
- ◆ Supports Hard disk for main recording
- ◆ Supports GPS for location tracking
- ◆ Supports WIFI for video files download
- ◆ Built-in 3G for live view and remote management
- ◆ Supports 360 degree anti-vibration
- ◆ Station announcement for public transportation

## Overview

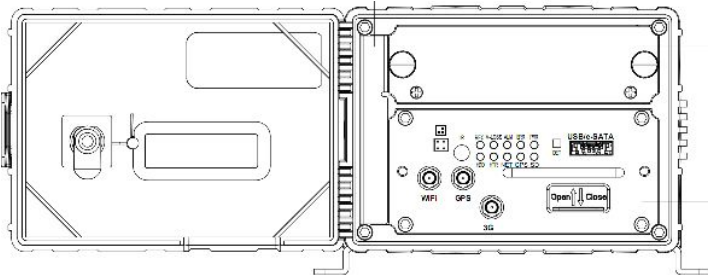
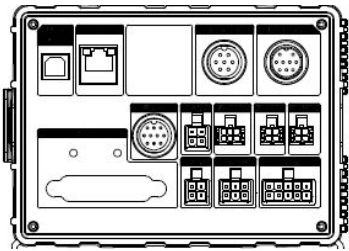
A5-E0804 is a cost-effective and function-extensive equipment specially designed for mobile surveillance and intelligent scheduling. It uses high-speed processor and embedded operating system, combined with H. 264 video compression/decompression technology, network technology and GPS locating technology. It can realize CIF, HD1 and D1 video recording, vehicle driving information recording and wireless data uploading. With center software it also achieves alarm linkage central monitoring, remote management and playback analysis. A5 is easy to use with simple design, multi-functions, superior anti-vibration, flexible installation and high reliability, etc.

## Specification

Items		Technical Index
Product Series		A5-E0804
Function Overview		Preview, Recording, Network, Playback, Location tracking
System	OS	Linux 3.0.8
	Control Mode	IR remote control, control panel, network
Video	Input	8 channels WD1+4 channels IPC(720P)
	Output	2 channels
	Total Resource	300fps D1 @ PAL / 360fps D1 @ NTSC
	Video Signal Standard	Electrical level: 1Vpp; Impedance: 75Ω NTSC/PAL Optional
Audio	Input	8 channels
	Output	2 channels
	Audio Signal Standard	Electrical level: 2Vpp; Input impedance: 4.7Ω
Display	Display Split	1/4/9/16
	OSD	GPS information, alarm, temperature, acceleration, voltage, device information, software version, MCU version, network information
	Operation Interface	Semi-transparent GUI
Recording	Video/Audio Compression	H.264/ADPCM
	Image Resolution	Analog: PAL: WD1(928X576), WHD1(928X288), WCIF(464X288), D1(704X576), HD1(704x288), CIF(352x288); NTSC: WD1(928X480), WHD1(928X240), WCIF(464X240), D1(704x480), HD1(704x240), CIF(352x240); Digital: 720P(1280X720);
	Image Quality	4 Levels adjustable
	Recording Mode	Manual/Schedule/Alarm (sensor trigger, speed, acceleration, video loss, temperature)
	Pre-recording	0-60minutes
	Post-recording	0-30minutes
	Mirror recording	Yes
Playback	Playback Channel	1 channel by local playback, 1 channel by software playback, 4/8 channels playback

	Search Mode	Date/time, channel, event
Network	3G	EVDO/WCDMA/TDD/FDD
Locating	GPS	Location tracking, speed detection and time sync
Storage	Hard Disk	2.5" SATA HDD
Interface	USB	USB2.0 × 2
	SD	SD × 1
	Sensor	8 inputs, 2 outputs
	Speed	1 channel pulse speed detection
	Panel	Control panel CP4 (Optional accessory)
Power	Input	DC6-36V
	Output	1A@12V,1A@5V
	Consumption	Impact current: input 13.5V@7.8A Working current: input 13.5V@1.6A input 27V@0.7A Standby current: 0A
Certificates		CE, FCC, MIL-STD-810F

## Dimension (mm)

	Front Panel	Rear Panel
		
Physical Characteristic	Dimension (L × W × H)	313x176x119mm
	Weight	3.7Kg
Environment	Operating Temperature	-25°C - +60°C
	Operating Relative Humidity	8%-90%

## PC Software



## Optional Accessories

