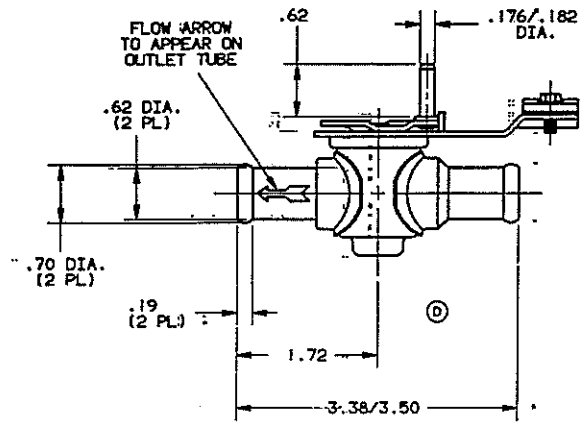
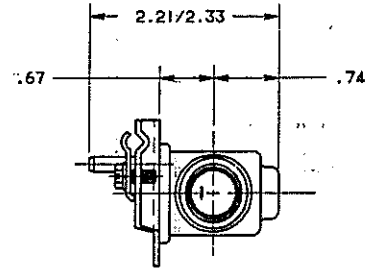
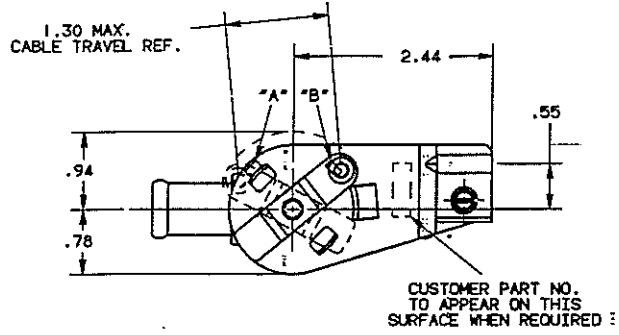


- NOTES: UNLESS OTHERWISE SPECIFIED.
1. THIS DRAWING CONFORMS TO RANCO SPEC. 1740036.
 2. DATE OF MANUFACTURE TO APPEAR ON ANY CONVENIENT SURFACE.
 3. ALL EXPOSED STEEL PARTS TO BE ZINC PLATED PLUS GOLD DICHROMATE DIP.
 4. PART MUST CONFORM TO QUALITY ASSURANCE STANDARD QA-4.
 5. ** INDICATES CODES THAT ARE EQUIPPED WITH A STAINLESS STEEL 'BACK-UP SPRING' (INTERNAL).



LAHS
 KL 570 215 = H38C-2220

DWG NO. 9417201				SHEET	
DN	DC	CHK	REL. DATE	REV	
REVISIONS				860307	
1. CHANGED FINISH				873800	
2. ADDED COLOR CODING.					
DC	RG	RG	27 APR 87	A	
ADDED H38C-2660				883133	
DC	RG	RG	27 JUN 88	B	
1- ADDED FINISH SPEC TO CHART				900237	
2- PICTORIALY REVISED					
LLN	RG	MAI	2MAR90	C	
ADDED NOTE 5 AND REMOVED COLOR CODE (BLACK). 101L WAS 101A.				93E113	
MAI	RG	RG	18JUN93	D	

H38C-2660	ON	OFF	NOT REQ'D	101L, SEE NOTE 3	
H38C-2619 (*)	OFF	ON	REQ'D	101H, SEE NOTE 3	** SEE NOTE 5
H38C-2286	OFF	ON	NOT REQ'D	101L, SEE NOTE 3	
H38C-2220	OFF	ON	NOT REQ'D	101L, SEE NOTE 3	
RANCO CODE NO.	"A"	"B"	B-U SPRING	RANCO FINISH SPEC..	REMARKS

RANCO
 AUTOMOTIVE DIVISION

DATE	DC 10 DEC 85	3 PLACE DEC 85
SCALE	1:1	1:1
DATE	RG 10 DEC 85	3 PLACE DEC 85
USED ON	H38	CHK
DATE		3 PLACE DEC 85
TITLE	OUTLINE DIMENSION DRAWING	
DATE		3"
DWG. NO.	9417201	SHEET
DO NOT SCALE		