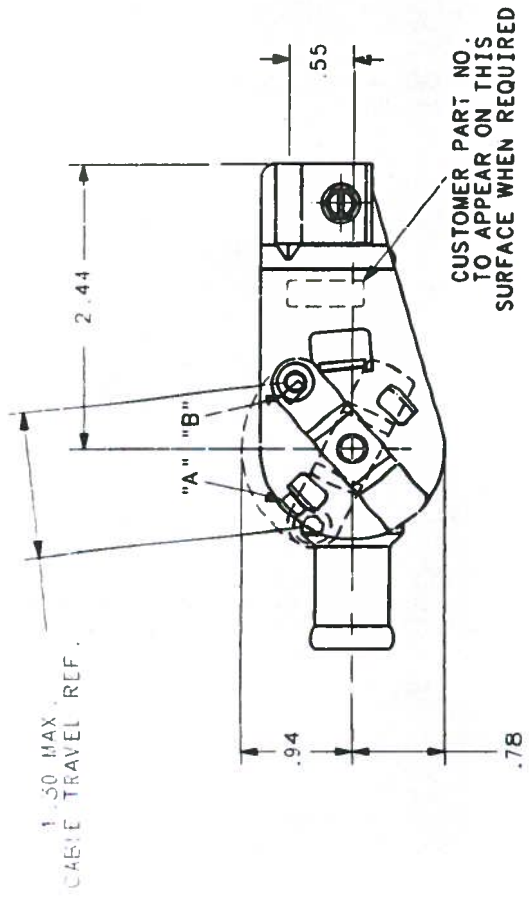
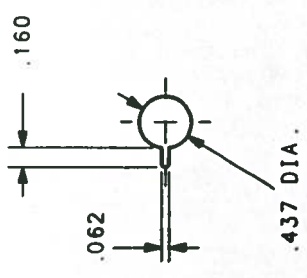
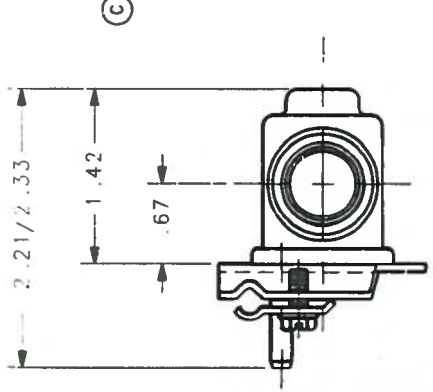
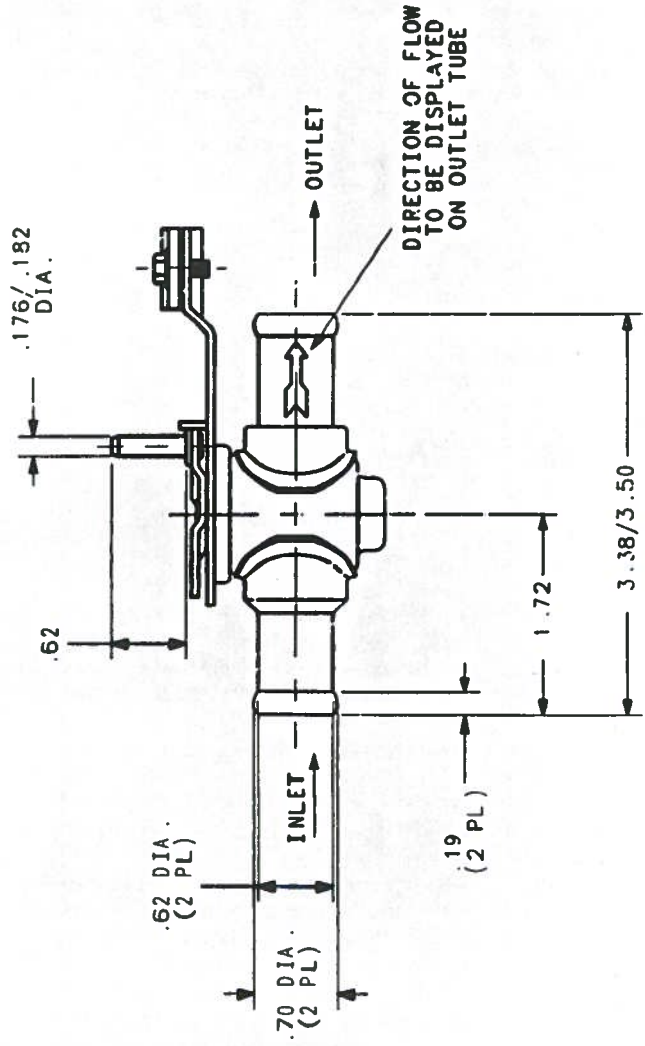


IPN	ENG	CM	REV DATE	REV
MA1	RG	RG	27 JUL 95	C

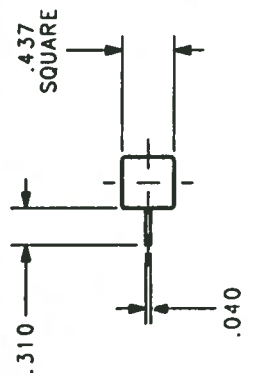
REVISIONS  
 REDRAWN : CODE H3BC-5259  
 ADDED & OLD NOTE 4 REMOVED :  
 1.42 DIM. ADDED AND 74  
 DIM. REMOVED  
 95M189



CUSTOMER PART NO. TO APPEAR ON THIS SURFACE WHEN REQUIRED



ROUND METERING ORIFICE



SQUARE METERING ORIFICE 2693 ONLY

NOTES:  
 1. THIS DRAWING CONFORMS TO RANCO SPEC. 1740036.  
 2. DATE OF MANUFACTURE TO APPEAR ON ANY CONVENIENT SURFACE.  
 3. ALL EXPOSED STEEL PARTS TO BE ZINC PLATED PLUS IRIDESCENT YELLOW CHROMATE DIP.  
 4. \* - ASTERISK INDICATES CODES THAT ARE EQUIPPED WITH A STAINLESS STEEL 'BACK-UP SPRING' (INTERNAL).

**RANCO NORTH AMERICA**

PART NO.	USED ON	DRN. DC	3 PLACE DEC DIM
SCALE: 1:1	H3B	EM: RG	±.01 C
TYPE PART:	O.D.D.	DO NOT SCALE	
TITLE:	OUTLINE DIMENSION DRAWING ±.3°		

ENG. SIZE: C    DWT. NO.: 9417200    SHEET: OF

H3BC-5259	OFF	ON	NOT REQD	SAME AS H3BC-2211 EXCEPT USE OF 'LONG-LIFE' SEAL ASSEMBLY (INTERNAL)
H3BC-2693 (*)	OFF	ON	REQD	* - SEE NOTE 4
H3BC-2674 (*)	ON	OFF	REQD	* - SEE NOTE 4
H3BC-2615 (*)	OFF	ON	REQD	* - SEE NOTE 4
H3BC-2299	ON	OFF	NOT REQD	
H3BC-2211	OFF	ON	NOT REQD	
RANCO CODE NO.	"A"	"B"	BACK-UP SPRING	REMARKS

= KATHA L 26 0074