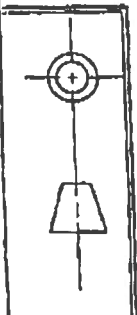
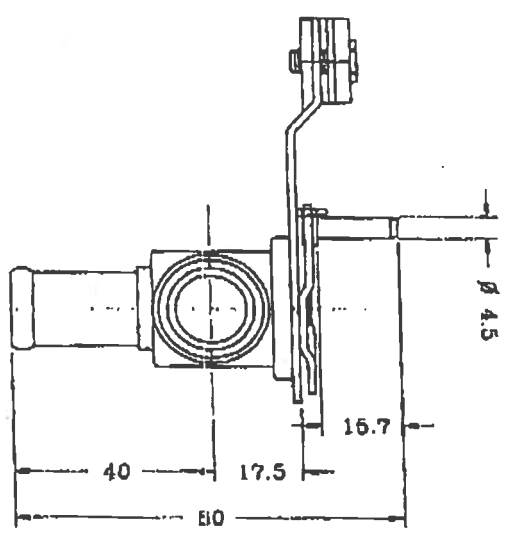


FUNCTION:
 ON POSITION - OUTLET 1 OPEN
 OUTLET 2 CLOSED
 OFF POSITION - OUTLET 2 OPEN
 OUTLET 1 CLOSED

MATERIAL:
 ZINC PLATED STEEL



MFC
 Mobile Filtrate Control Inc.
 20 Sun Lane - Concord, Oregon 97431 - Clackamas
 Telephone: 418-739-0100 - Fax: 418-739-1735

26-0043
 HEATER CONTROL VALVE

DATE: JAN 11, 1993
 DRAWN: PS-1412
 SCALE: NTS
 BY: H.T.