

REVISED FINISH (101A WAS 1B)	14 JUN 89	981145
REVISED RANCO CODE NUMBERS	851257	B
DC	RG	WAT
		01DEC88

OY KAHYA AB

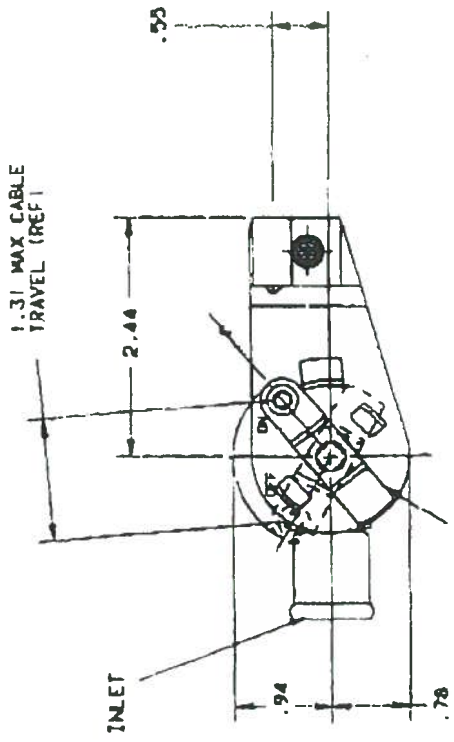
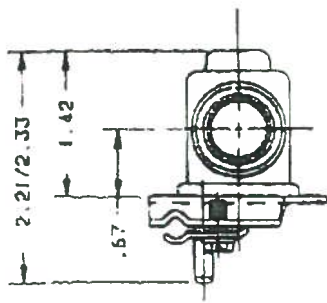
ATN:

ILKKA VIRKKUNEN



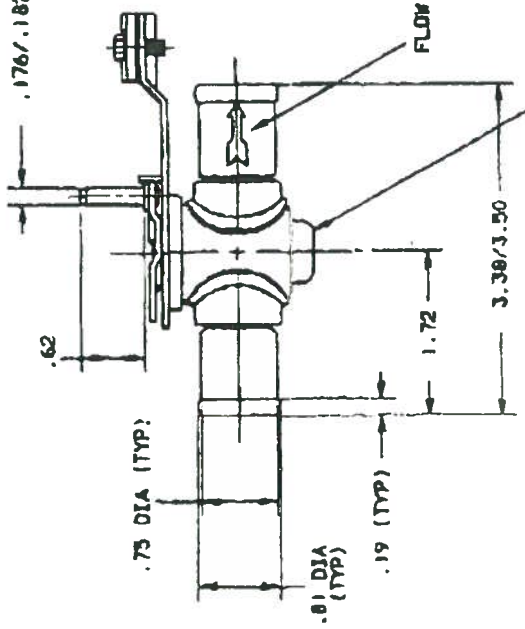
PL 92, 02771 ESPOO
 PUH. (09) 615 68 00
 FAX (09) 615 68 301

RANCO AUTOMOTIVE DIVISION	
REV. 9	JUN 88
REV. 8	JUN 88
REV. 7	JUN 88
REV. 6	JUN 88
REV. 5	JUN 88
REV. 4	JUN 88
REV. 3	JUN 88
REV. 2	JUN 88
REV. 1	JUN 88
O.D.D.	
C 0117205	



VALVE SHOWN IN OPEN (DN) POSITION

.176/.182 DIA.



FLOW ARROW TO BE DISPLAYED ON OUTLET TUBE.

- NOTES, UNLESS OTHERWISE SPECIFIED.
1. THIS DRAWING CONFORMS TO RANCO SPEC. 1740036.
 2. PART MUST CONFORM TO QUALITY ASSURANCE STANDARD QA-4.
 3. DATE OF MANUFACTURE TO APPEAR ON ANY CONVENIENT SURFACE.
 4. ALL EXPOSED STEEL PARTS TO BE ZINC PLATED PLUS GOLD CHROMATE DIP (REF. RANCO FINISH SPEC. 101A).

Tilno: KL 03 H38C 2683
 "VEDÄ AUVI"
 VIRTAUS VAIVERIIVIE

COLOR CODE (BLACK) ON THIS SURFACE (WHEN REDD) INDICATES USE OF STAINLESS STEEL BACK-UP SPRING (INTERNAL)

H38C-2683	REDD	X
H38C-2678	NOT REDD	
H38C-2291	NOT REDD	

ⓐ