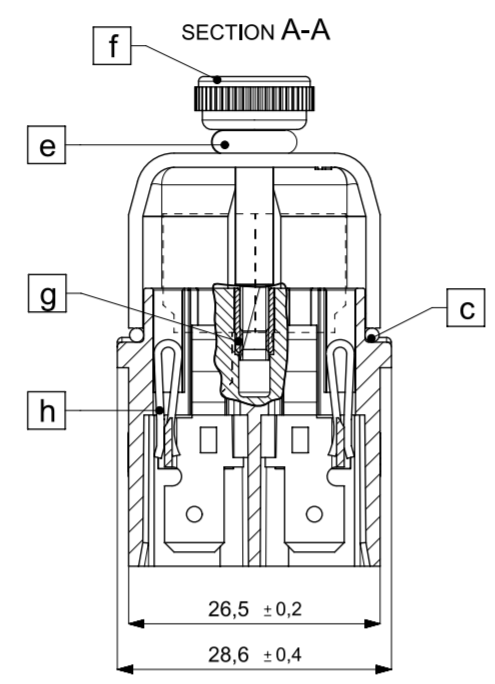
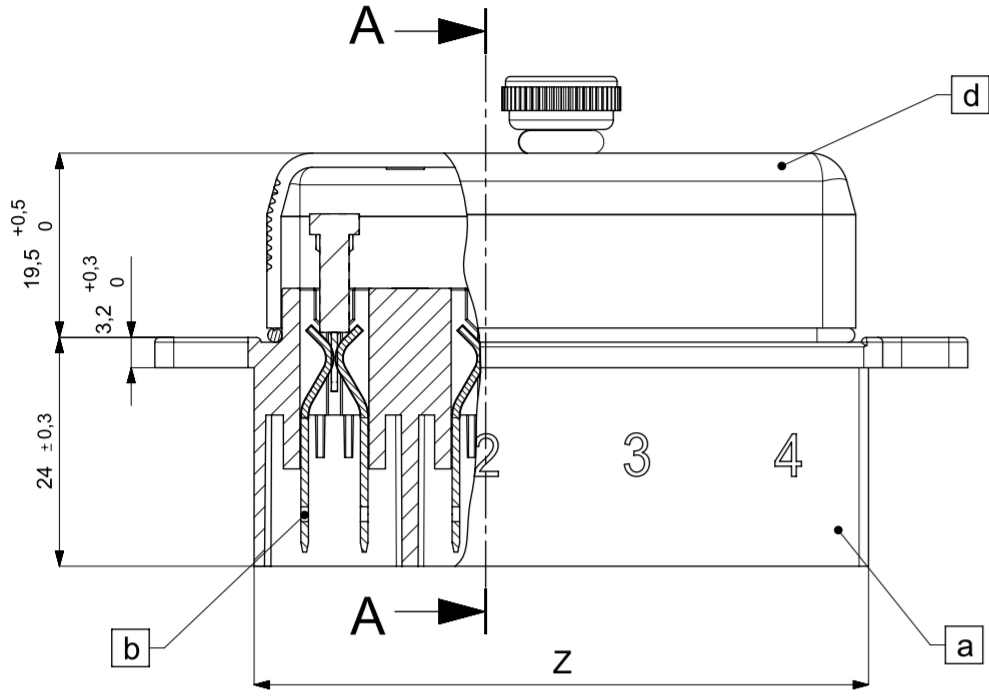
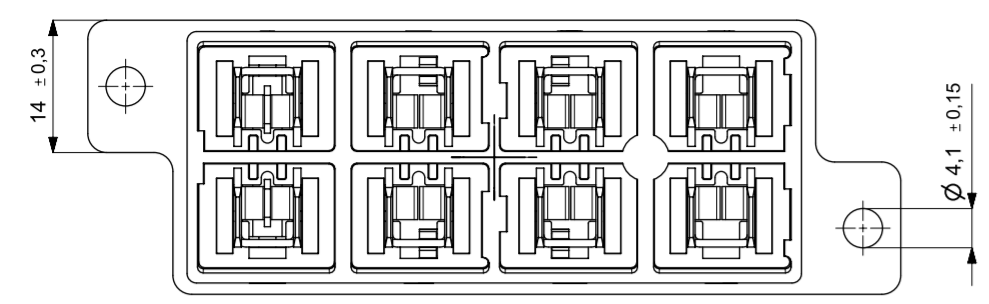
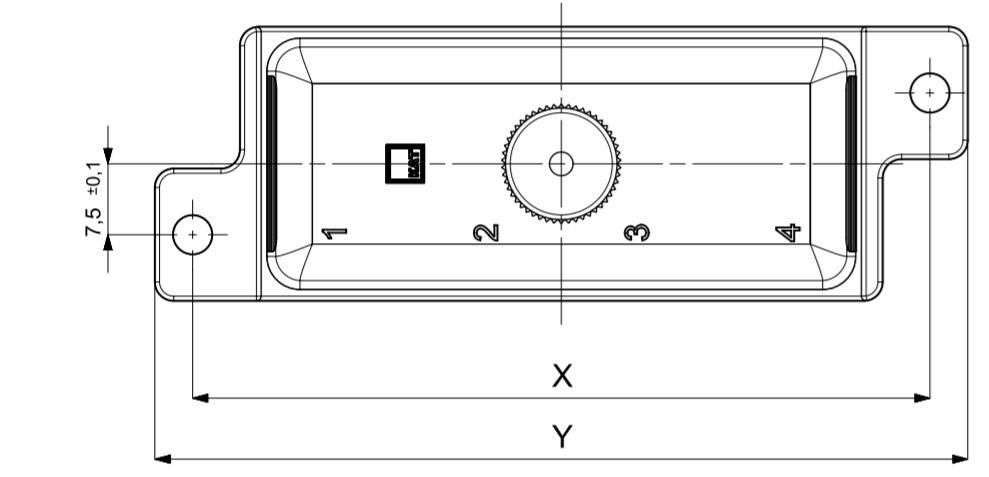


Notlar/ Notes



	2 Pole	4 Pole	6 Pole	8 Pole
X	46 ±0.3	78 ±0.5	110 ±0.5	142 ±0.8
Y	54 ±0.3	86 ±0.5	118 ±0.5	150 ±0.8
Z	33 ±0.3	65 ±0.5	97 ±0.5	129 ±0.8



- * Voltage 12/24V
- * Current 3A-30A
- * Voltage drop max. 250 mV
- * High temperature test 2 hrs @ +95 °C
- * Low temperature test 72 hrs @-40 °C
- * Fuse replacing force 20~40N
- * Cover Side Protection Level :

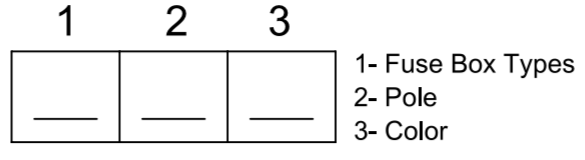
Cover Without Screw IP53
Cover With Screw IP56

Item	Designation	Material	Hardness	Coating	Color	Weight (g)
a	Housing	PA66 GF25	N/A	N/A	See Selection Section 3	2 Pole
						4 Pole
						6 Pole
						8 Pole
b	Contact	CuSn6	160-190 HV (R500)	Ag / 1-3µm	N/A	2,1
c	O-Ring	NBR	50 ShoreA	N/A	Black	2 Pole
						4 Pole
						6 Pole
						8 Pole
d	Cover	PC	N/A	N/A	Transparent	2 Pole
						4 Pole
						6 Pole
						8 Pole
e	O-Ring	PERBUNAN	70 ShoreA	N/A	Black	0,1
f	Screw	11SMnPb37	112-169 HB	Zinc / 5µm	N/A	3,3
g	Nut	CuZn39Pb3	125-165 HV (R420)	N/A	N/A	0,35
h	Bridge	CuSn6	160-190 HV (R500)	Ag / 1-3µm	N/A	1,5

* Has to be ordered separately
NOTE : To insert the bridge push it all the way to the stop.

ORDERING SCHEME

To select the desired product type please put the code in the bar below



1 FUSE BOX TYPES

WITH COVER & SCREW

WITH COVER, WITHOUT SCREW

WITHOUT COVER & SCREW

2 POLE

1	2 POLE
2	4 POLE
3	6 POLE
4	8 POLE

3 COLOR

A	White
B	Black
C	Green
D	Red
E	Yellow

SPARE PARTS

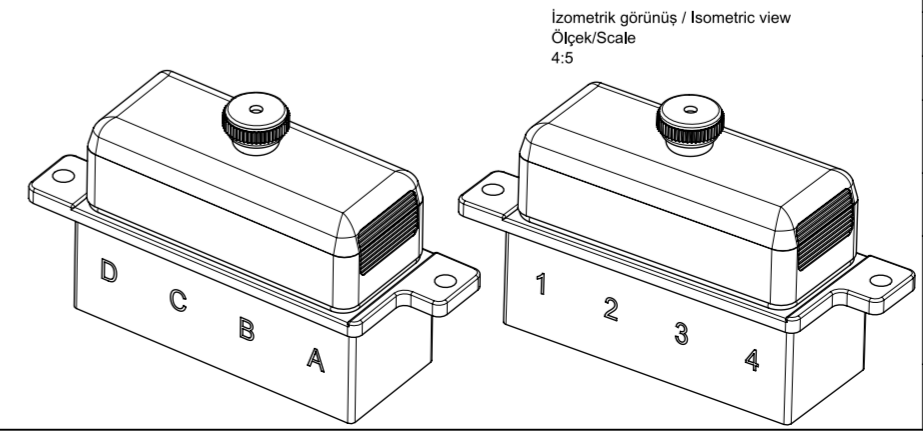
Part	Description	Code
COVER	2 Pole	30887
	4 Pole	30891
	6 Pole	30895
	8 Pole	30899
COVER WITH SCREW	2 Pole	30888
	4 Pole	30892
	6 Pole	30896
	8 Pole	30900
BRIDGE		30788

* Fitting o-ring is included.

ACCESSORIES

For technical details : please, refer to drawing 95110.

For technical details : please, refer to drawing 30903



Referanslar References

İzometrik görünüş / Isometric view
Ölçek/Scale 4:5

Rev. Nr. / Rev. No.	Konum / Section	Tarih / Date	İsim / Name	Revizyon tanımı / Revision description	Talep No. / Order No.
a	N/A	13.12.2007	K.KARABULUT	Voltage and current values are added. Bridge contact insertion remark is added.	N/A
b	N/A	17.09.2013	C.TOPRAKHISAR	The measurement tolerance were renewed.	N/A
c	N/A	02.03.2018	K.KARABULUT	Technical drawing updated	N/A

Taslak / Draft Prototip / Prototype Ön seri / Pre-series Seri / Series

KAT, bunlarla sınırlı kalmamak kaydı ile kopyalama hakları, isimlendirme hakkı, endüstriyel mülkiyet hakkı için başvuru hakkı ve bununla sınırlı kalmamak kaydı ile buluş hakları dahil olmak üzere tüm hakları saklı tutar. Kopyalama ve dağıtma veya yayma hakları dahil tüm hakları ve işleme (faydalanma) hakları KAT'a aittir.

KAT reserves all rights, including without limitation rights of invention, copyrights, rights to names and the right to apply for industrial property rights. All rights of use and exploitation including the right to copy and disseminate or distribute reside with us.

CAD sistemi ve yönetim kodu/CAD system and administration code **NX 11 (*.prt)**

Malzeme / SAP kod / Markalama kodu / Material / SAP code / Part marking code **See table** Renk / Color **See table**

Ağırlık (g) / Weight **See table**

Çekme mukavemeti (N/mm²)/Tensile strength **N/A** Sertlik (HV)/Hardness **See table**

Kaplama malzemesi/Coating material **See table**

Kaplama kalınlığı (µm)/Coating thickness **See table**

İsim / Name	Tarih / Date	İmza / Signature	Proje kod / Project code
Çizen / Drawn	K.KARABULUT	21.09.2007	KOT-1
Tasarım Sorumlusu / Responsible design	C.TOPRAKHISAR	21.09.2007	
Kontrol / Checked	Cem KABAHASANOĞLU	21.09.2007	

Güvenlik Dök. / Safety Doc. **N/A** Proje Adı / Project Name **FUSE BOX**

ISO 128

Ölçek/Scale **5:4** Resim No / Drawing No **95040** Boyut / Format **A1**

4:5 **1** **2** **3** **4** **1**

Normal ölçülerde belirtilmeyen toleranslar için genel toleranslar / General tolerances for nominal dimensions without specified tolerance **7168 mS**

KAT MEKATRONİK / KAT MECHATRONICS