

Dies ist die Originalanweisung. Die deutsche Sprache ist verbindlich.
Sollten Sprachen fehlen, können diese angefordert werden. Die Telefonnummer des jeweiligen Landes entnehmen Sie bitte dem Webasto Servicestellen-Faltblatt oder der Webseite Ihrer jeweiligen Webasto Landesvertretung.

Unsere Webasto Charging Hotline finden Sie unter www.webasto-charging.com

Webasto Thermo & Comfort SE
Postfach 1410
82199 Gilching
Germany

Company address:
Friedrichshafener Str. 9
82205 Gilching
Germany

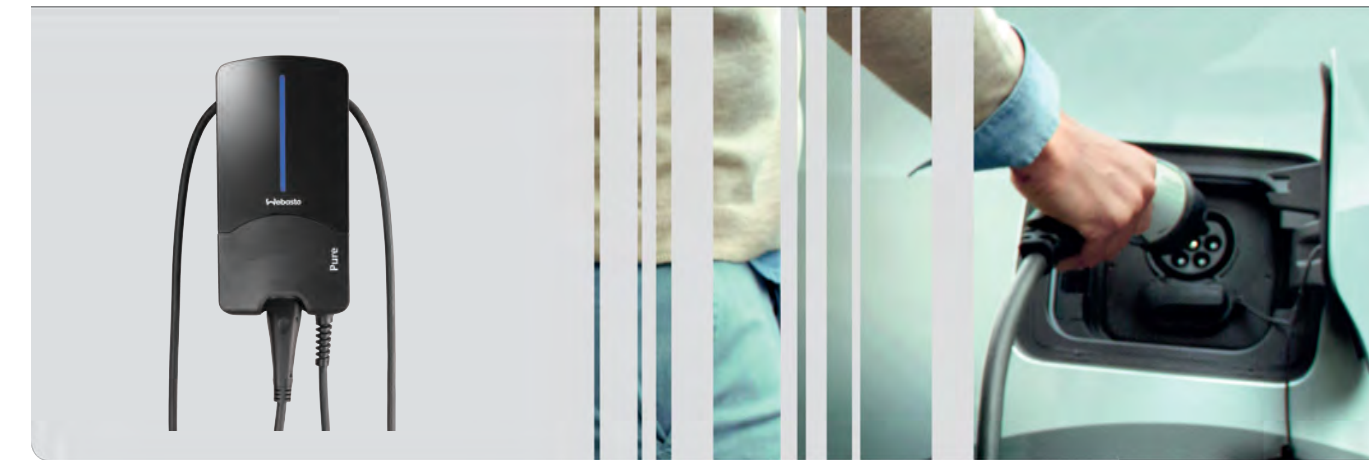


www.webasto.com

Ident. Nr. 5110757D • 12.20 • Änderungen und Irrtümer vorbehalten • © Webasto Thermo & Comfort SE • 2020

Webasto Pure

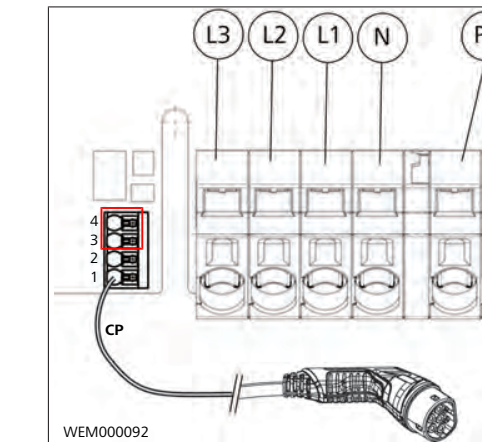
Version Pure II



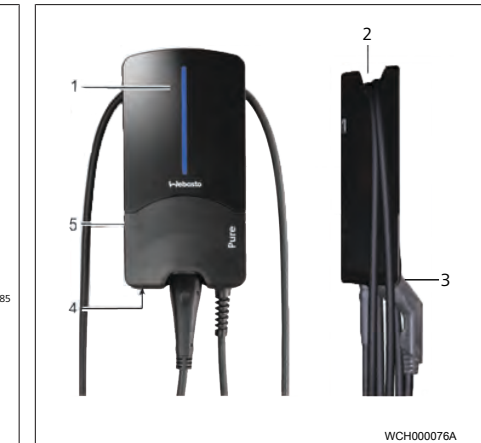
EN Installation Instructions	11	FR Notice de montage	117	NO Monteringsanvisning	233
DE Einbauanweisung	13	HE הוראות התקנה	131	PL Instrukcja montażu	246
BG Ръководство за монтаж	26	HR Uputama za ugradnju	143	PT Instruções de instalação	259
CS Montážní pokyny	40	HU Beépítési utasítás	156	RO Instrucțiuni de instalare	272
DA Monteringsvejledning	53	IT Istruzioni di montaggio	168	SK Návod na montáž	285
EL Οδηγίες εγκατάστασης	65	IS Uppsetningarleiðbeiningar	181	SL Navodilo za vgradnjo	298
ES Instrucciones de montaje	79	LT Montavimo instrukcija	194	SV Monteringsanvisning	310
ET Paigaldusjuhend	92	LV Montāžas instrukciju	207	TR Montaj talimatı	322
FI Asennusohje	104	NL Montagehandleiding	220	UA Ръководство за монтаж	335



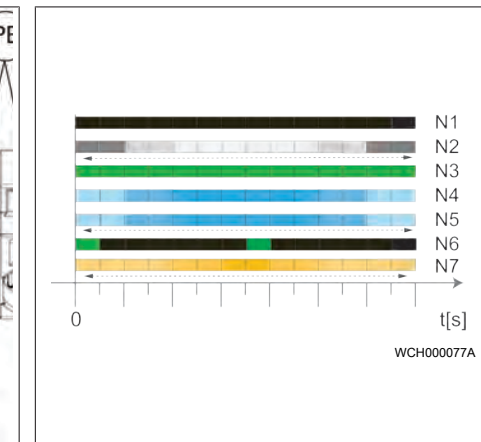
1



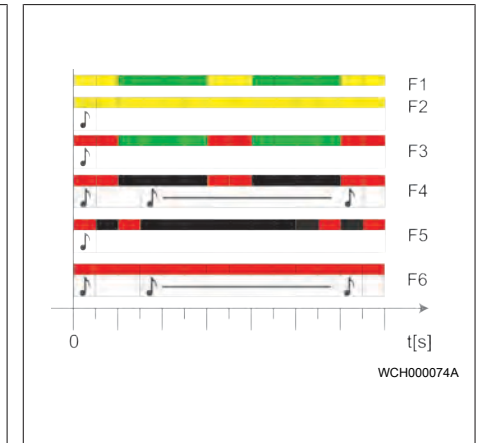
2



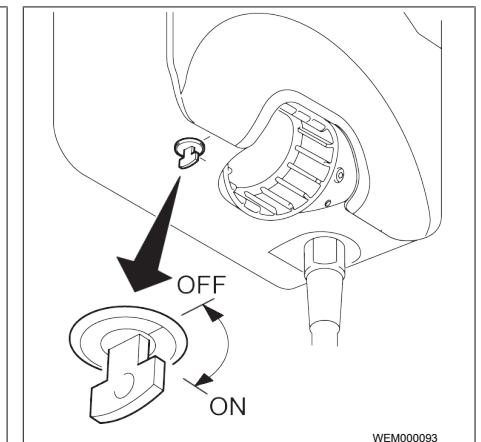
3



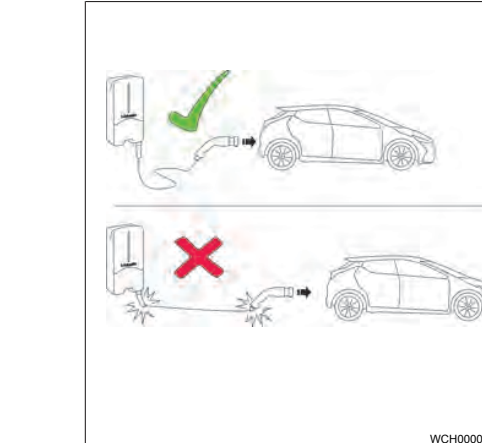
4



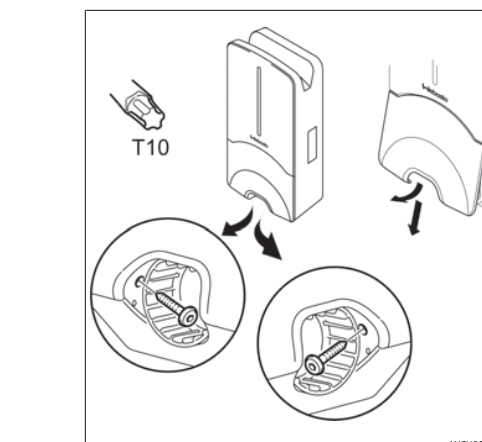
5



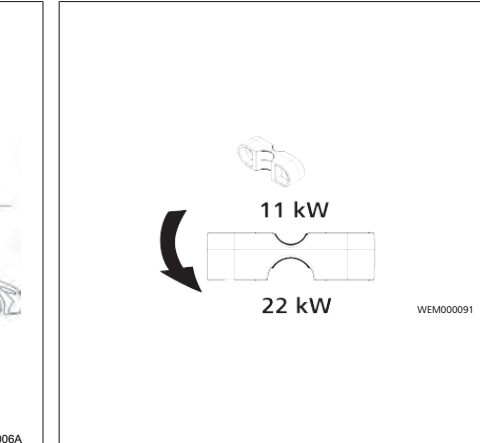
6



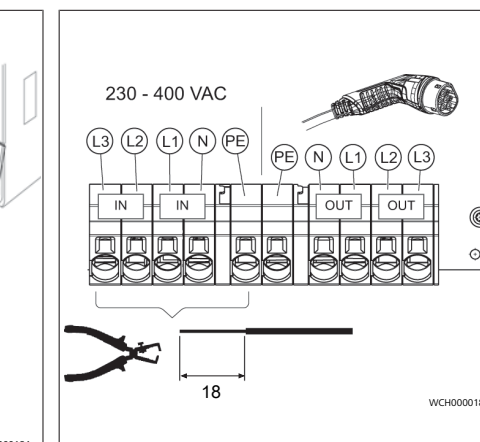
7



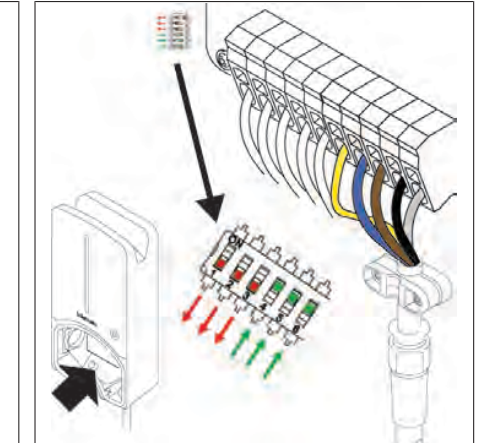
8



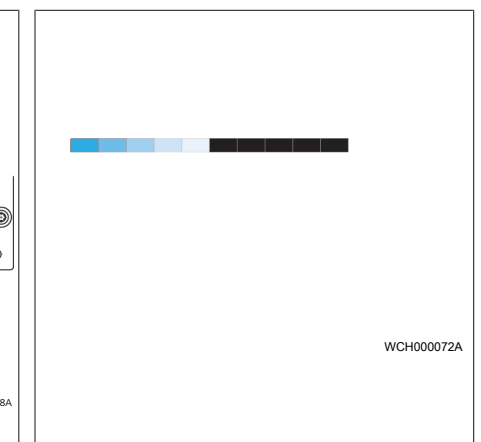
9



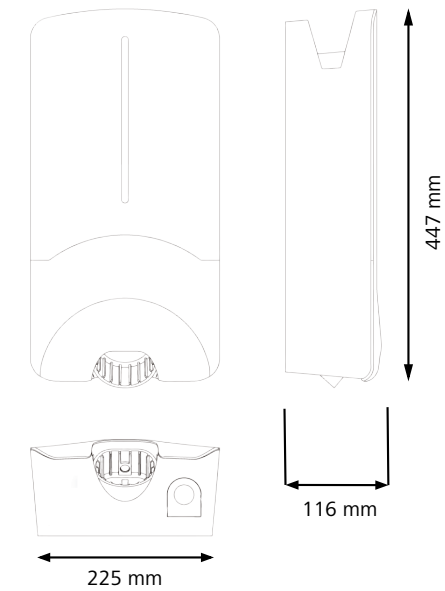
10



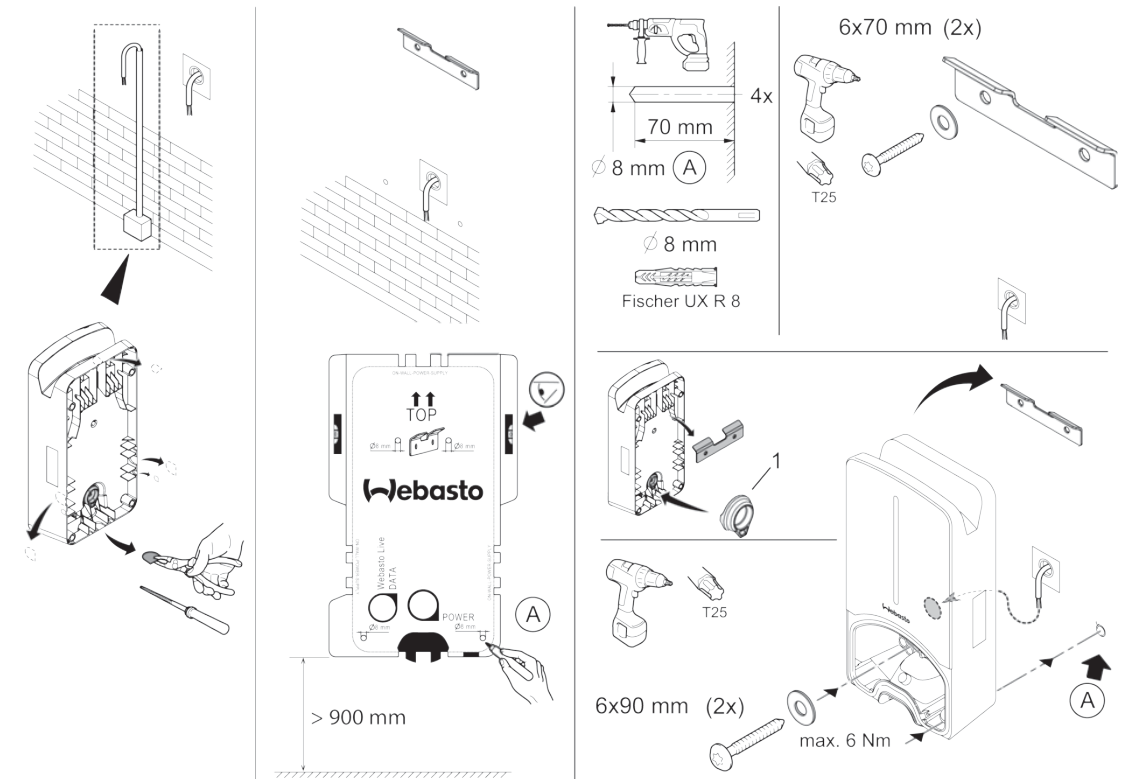
11



12



13



14

Webasto Pure

Version Pure II



EN Installation Instructions	11	FR Notice de montage	117	NO Monteringsanvisning	233
DE Einbauanweisung	13	HE הוראות התקנה	131	PL Instrukcja montażu	246
BG Ръководство за монтаж.....	26	HR Uputama za ugradnju	143	PT Instruções de instalação	259
CS Montážní pokyny	40	HU Beépítési utasítás.....	156	RO Instrucțiuni de instalare	272
DA Monteringsvejledning	53	IT Istruzioni di montaggio.....	168	SK Návod na montáž	285
EL Οδηγίες εγκατάστασης.....	65	IS Uppsetningarleiðbeiningar.....	181	SL Navodilo za vgradnjo	298
ES Instrucciones de montaje.....	79	LT Montavimo instrukcija.....	194	SV Monteringsanvisning	310
ET Paigaldusjuhend	92	LV Montāžas instrukciju	207	TR Montaj talimatı	322
FI Asennusohje	104	NL Montagehandleiding.....	220	UA Ръководство за монтаж.....	335





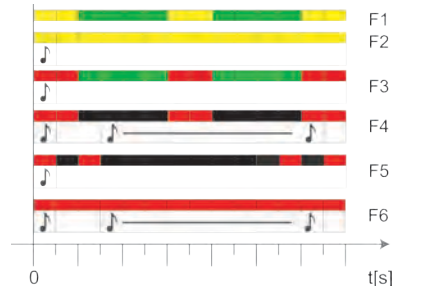
WEM000085

1



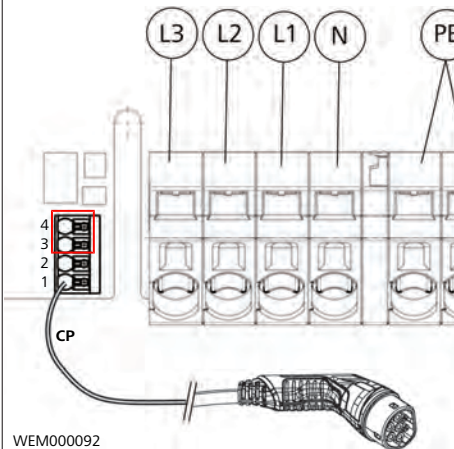
WCH000076A

3



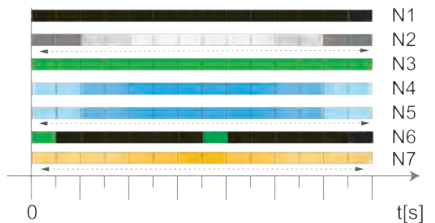
WCH000074A

5



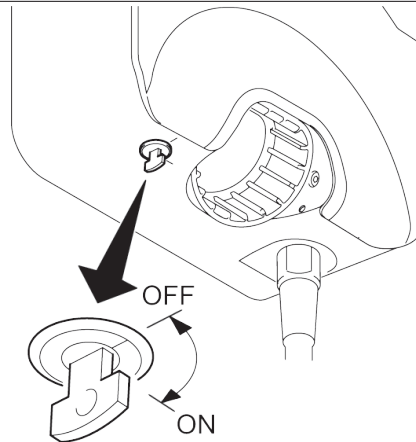
WEM000092

2



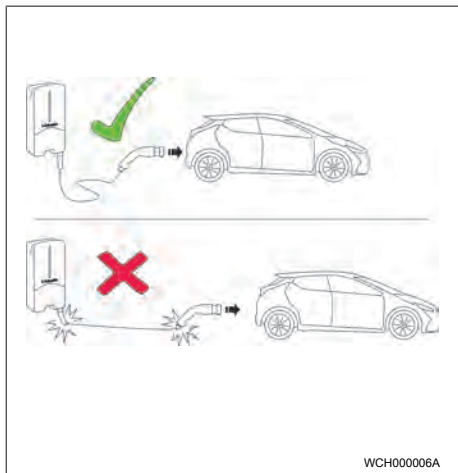
WCH000077A

4



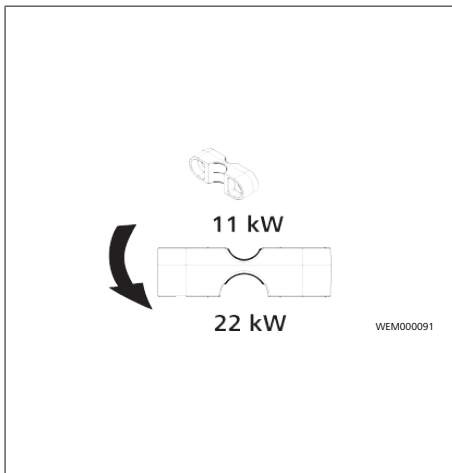
WEM000093

6



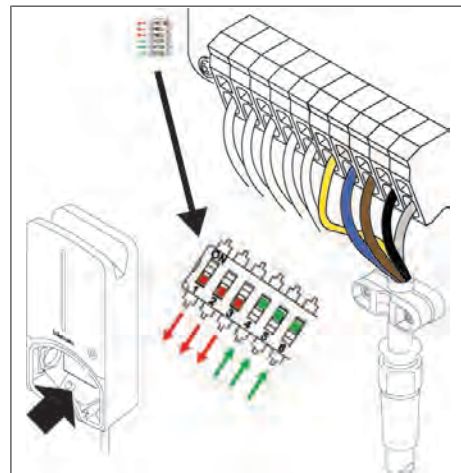
WCH00006A

7

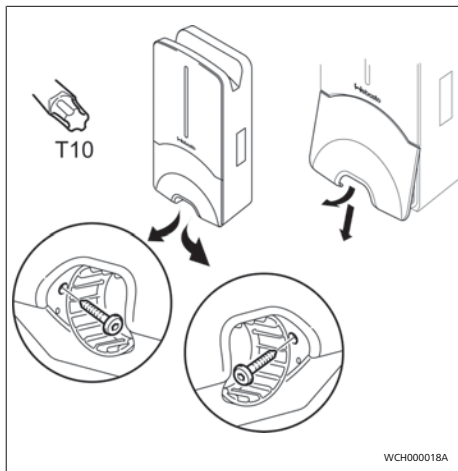


WEM000091

9

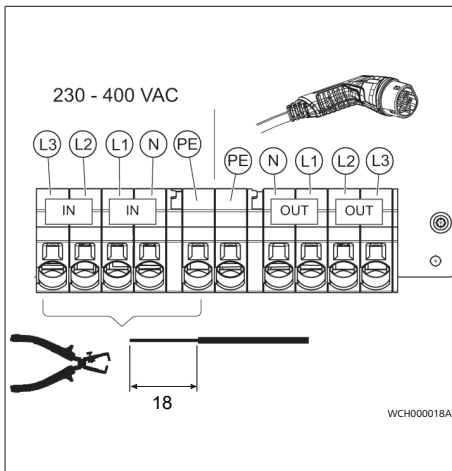


11



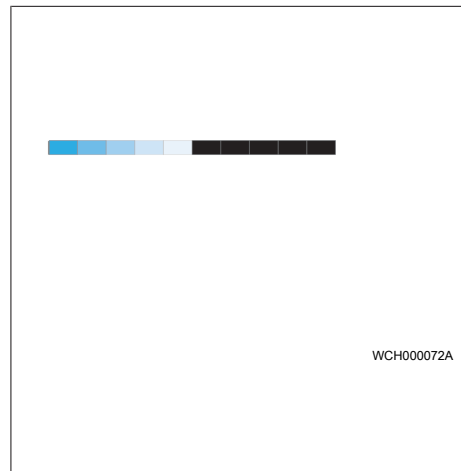
WCH000018A

8



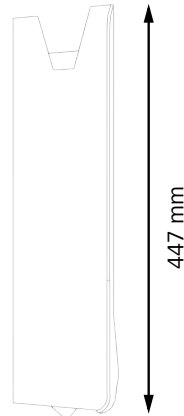
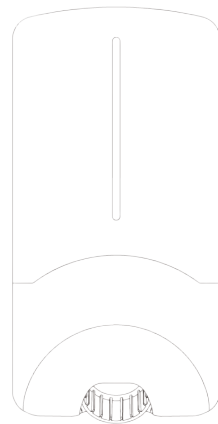
WCH000018A

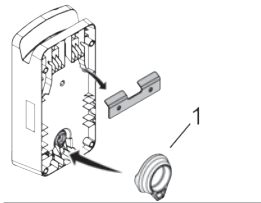
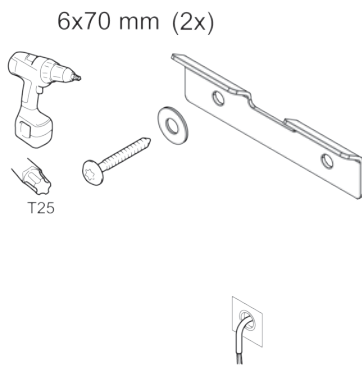
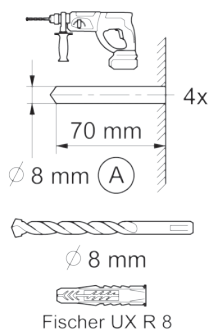
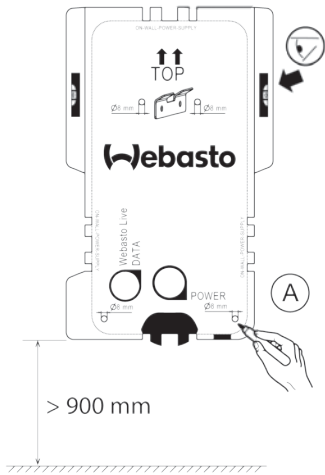
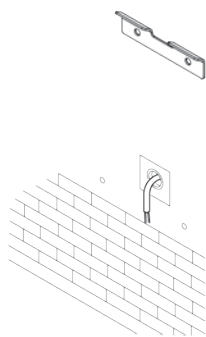
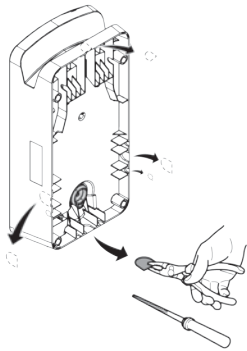
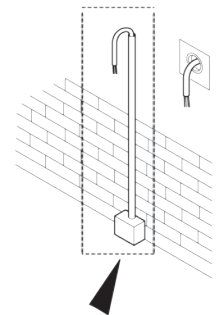
10



WCH000072A

12





WCH000073A

Dies ist die Originalanweisung. Die deutsche Sprache ist verbindlich.
Sollten Sprachen fehlen, können diese angefordert werden. Die Telefonnummer des jeweiligen Landes entnehmen Sie bitte dem Webasto Servicestellen-Faltblatt oder der Webseite Ihrer jeweiligen Webasto Landesvertretung.

Unsere Webasto Charging Hotline finden Sie unter www.webasto-charging.com

Webasto Thermo & Comfort SE
Postfach 1410
82199 Gilching
Germany

Company address:
Friedrichshafener Str. 9
82205 Gilching
Germany



5110757D

www.webasto.com

Table of Contents

1	General information.....	1	8.7	Initial start-up.....	7
1.1	Purpose of the document.....	1	9	Settings.....	8
1.2	Using this document.....	1	9.1	Dim LED indicator.....	8
1.3	Intended use.....	1	10	Decommissioning the product.....	8
1.4	Use of symbols and highlighting.....	1	11	Maintenance, cleaning, repair.....	8
1.5	Warranty and liability.....	1	11.1	Maintenance.....	8
2	Safety.....	1	11.2	Cleaning.....	8
2.1	General information.....	1	11.3	Repair.....	8
2.2	General safety information.....	1	12	To replace the charging cable.....	8
2.3	Safety information for installation.....	2	13	Disposal.....	8
2.4	Safety information for electrical connection.....	2	14	Declaration of conformity.....	8
2.5	Safety information for initial start-up.....	2	15	Assembly.....	9
3	Unit description.....	3	16	Technical data.....	10
3.1	Control cable (Control Pilot).....	3	17	Check list for the installation of the Webasto charging station.....	12
4	Operation.....	3			
4.1	overview.....	3			
4.2	LED indicators.....	3			
4.3	Key-operated switch.....	3			
4.4	Start charging.....	4			
4.5	Stop charging.....	4			
5	Transportation and storage.....	4			
6	Scope of delivery.....	4			
7	Required tools.....	4			
8	Installation and electrical connection.....	4			
8.1	Requirements installation space.....	5			
8.2	Criteria for the electrical connection.....	5			
8.3	Installation.....	5			
8.4	The electrical connection.....	6			
8.5	Active power increase.....	7			
8.6	DIP switch settings.....	7			

1 General information

1.1 Purpose of the document

These operating and installation instructions are part of the product and contain information for the user to ensure safe operation and for the electrician to carry out safe installation of the Webasto Pure charging station.

1.2 Using this document

- ▶ Carefully read the operating and installation instructions before installing and starting up the Webasto Pure.
- ▶ Keep these instructions ready to hand.
- ▶ Hand these instructions on to the following owner or user of the charging station.

NOTE

We would draw your attention to the fact that, as part of a professional installation, an installation log should be drawn up by the installer. We also request that you fill in our Check list for the installation of the Webasto charging station.

NOTE

Individuals with deficiency in their colour vision require support in the allocation of all fault indicators.

1.3 Intended use

The Webasto Pure charging station is designed for charging electric vehicles in accordance with IEC 61851-1, charge mode 3. In this charge mode, the charging station ensures:

- The voltage is not applied before the vehicle has been connected correctly.
- The maximum power is calibrated.

1.4 Use of symbols and highlighting

⚠ DANGER

This signal word denotes a hazard with a high degree of risk which, if not avoided, will lead to death or serious injury.

⚠ WARNING

This signal word denotes a hazard with a moderate degree of risk which, if not avoided, may lead to minor or moderate injury.

◀ NOTE

This signal word denotes a Special Technical Feature or (if not observed) potential damage to the product.

- ✓ Requirements for the following necessary action
- ▶ Necessary action

⚠ CAUTION

This signal word denotes a hazard with a low degree of risk which, if not avoided, will lead to minor or moderate injury.

1.5 Warranty and liability

Webasto shall not assume liability for defects or damage that are the result of the installation and operating instructions being disregarded. This liability exclusion particularly applies for:

- Improper use.
- Repairs carried out by an electrician not contracted by Webasto.
- Use of non-original spare parts.
- Conversion of the unit without permission from .
- Installation and commissioning by unqualified staff (not an electrician).
- Improper disposal after decommissioning.

2 Safety

2.1 General information

The charging station has been developed, produced, tested and documented according to the relevant safety regulations and environmental requirements. The device must only be used in a technically faultless condition. Have any malfunctions that adversely affect the safety of persons or of the device rectified immediately by an electrician in accordance with nationally applicable regulations.

◀ NOTE

It is possible that the signalling in the vehicle differs from that described here. Always read the operating instructions of the respective vehicle manufacturer and always observe these.

2.2 General safety information

- ⚠ – Hazardous voltages are present within the casing.
- The charging station does not have its own main ON/OFF switch. The protective devices installed in the power supply system are therefore also used to disconnect the power supply.
- Check charging station for visual damage before use. Do not use the charging station if damaged.
- Installation, electrical connection and initial operation of the charging station must only be carried out by an electrician.
- Do not remove the cover of the installation area whilst in operation.
- Do not remove markings, warning symbols and the type label from the charging station.
- The charging cable must only be replaced by an electrician in accordance with the installation instructions.
- It is strictly prohibited to connect other equipment/devices to the charging station.
- When not in use, store the charging cable in the designated holder and lock the charging coupling in the charging station. Loosely wind the charging cable around the charging station casing so that it does not touch the ground.
- Make sure that the charging cable and coupling cannot be driven over, trapped and are protected from any other hazards.
- Immediately notify Webasto Customer Service if the charging station, charging cable or the charging coupling are damaged. Do not continue using the charging station.
- Prevent the charging cable and coupling from coming in contact with external heat sources, water, dirt and chemicals.

- The Webasto Live charging station also meters the plug-in cycles of the charge coupling for service purposes and after 10,000 plug-in cycles, displays a note on the web interface that an electrician needs to inspect the plug contacts on the charge coupling for any signs of wear. If any signs of wear are discovered, the electrician must replace the affected charging cables with genuine Webasto spare parts.
- Do not attach extension cables or adapters to the charging cable.
- Remove the charging cable by pulling on the charging coupling only.
- Never clean the charging station with a high-pressure cleaner or similar device.
- Switch off the power supply before cleaning the charging sockets.
- The charging cable must not be subjected to any strain during use.
- Ensure only persons who have read these operating instructions have access to the charging station.

WARNING

- When not in use, store the charging cable in the designated holder and lock the charging coupling in the remote dock. Loosely wind the charging cable around the remote dock making sure the cable does not touch the floor.
- You must make sure that the charging cable and coupling cannot be driven over, trapped and are protected from all other hazards.

2.3 Safety information for installation



- You must comply with the locally applicable requirements regarding electrical installations, fire protection, safety regulations, and escape routes at the intended installation location.
- Only use the supplied installation material.
- When open, ESD (electrostatic discharge) precautions must be taken properly to avoid electrostatic discharge.

- When handling electrostatically sensitive boards, wear grounded antistatic wrist straps and properly observe ESD safety precautions. Wrist straps must only be used when mounting and connecting the loading unit. Wrist straps must never be worn on a live Webasto Pure.
- Electricians must be properly grounded during installation of the Webasto Pure.
- Do not install the Webasto Pure in an explosion sensitive area (Ex Zone).
- Install the Webasto Pure in such a way that the charging cable does not block any passageways.
- Do not install the Webasto Pure in areas subject to ammonia or air containing ammonia.
- Do not install the Webasto Pure in a location where falling objects may damage it.
- The Webasto Pure is suitable for use indoors as well as outdoors.
- Do not install the Webasto Pure in the vicinity of water jets, such as car-wash installations, high-pressure cleaners or garden hoses.
- Protect the Webasto Pure against damage caused by sub-zero temperatures, hail or similar. We would like to refer you to our IP protection class at this juncture (IP54).
- The Webasto Pure is suitable for use in areas without access restrictions.
- Protect the Webasto Pure from direct sunlight. The charging current may be reduced at high temperatures, or charging may be disabled completely. The operating temperature range is -30 °C to + 55°C.
- The installation location of the Webasto Pure should ensure that vehicles cannot inadvertently collide with it. Protective measures must be implemented if the possibility of damage cannot be ruled out.
- Do not put the Webasto Pure into operation if it has been damaged during installation; a replacement will be required.

2.4 Safety information for electrical connection



WARNING

- Comply with the nationally applicable requirements pertaining to electrical installations, fire protection, safety regulations and escape routes at the intended installation location. Observe the applicable national installation regulations.
- Each charging station must be protected with its own line circuit breaker and residual current circuit breaker. See Requirements at the installation location.
- Make sure that the electrical connections are de-energised before connecting the charging station to the power supply.
- Do not connect a vehicle during initial start-up of the charging station.
- Make sure that the correct supply cable is used for the power connection.
- Do not leave the charging station unattended with the cover open.
- Change DIP-switch settings only with the power off.
- Register with the power supply company as required.

2.5 Safety information for initial start-up



WARNING

- Initial start-up of the charging station must be carried out only by an electrician.
- Prior to initial start-up, the electrician must check that the charging station has been connected correctly.
- Before starting-up the charging station, check the charging cable, charging coupling and the charging station for visible damage. The charging

station must not be started up if it is damaged or if the charging cable/charging coupling is damaged.

3 Unit description

Fig. 1

These operating and installation instructions describe the Webasto Pure charging station. The exact unit description, corresponding to the material number which comprises a seven-digit number and one letter, is indicated on the type label of the charging station.

3.1 Control cable (Control Pilot)

Fig. 2

There also is a data line in the charging cable together with the power supply lines and is known as a CP (control pilot) line. This line (black-white) is inserted into the push-in terminal on the CP connection. This applies to installing the original charging cable and also to replacing the charging cable.

4 Operation

4.1 overview

Fig. 3

Legend

- | | |
|----------------------------|----------------------------------------------|
| 1 LED indicator | 4 Key-operated switch, accessible from below |
| 2 Charging cable holder | 5 Installation cover |
| 3 Charging coupling holder | |

4.2 LED indicators

4.2.1 LED operating indicator

Fig. 4


Operating indicator	Description
N1	LED not lit:

Operating indicator	Description
	Charging station is off.
N2	White chase light running up and down: Charging station is starting up.
N3	LED is green: Charging station is on standby.
N4	LED pulsing blue: Charging station being used; charging vehicle.
N5	Blue chase light running up and down: Charging coupling connected to the vehicle, charging interrupted.
N6	Green chase light running up and down: The charging station is in operation but locked with the key-operated switch.
N7	Orange chase light running up and down: Charging process interrupted by power supply company.

4.2.2 LED fault list

Fig. 5

Fault list	Description
F1	LED is green, yellow pulsing through: The charging station has become hot and charges the vehicle with reduced power. After a cool-down phase the charging station continues the normal charging cycle.
F2	LED is yellow and an acoustic signal sounds for 0.5 s: Overtemperature. After a cool-down phase the charging station continues the normal charging cycle.
F3	LED is green, red pulsing through, and an acoustic signal sounds for 0.5 s: There is a fault in the power connection to the charging station, phase monitoring is active, charging station charges with reduced power.

Fault list	Description
	▶ Checking of the phase sequence by an authorised electrician. Requirement: clockwise phase sequence.
F4	LED pulses red for 1 s at 2 s intervals and an acoustic signal sounds for 0.5 s. Then, after a pause of 1 s, the acoustic signal sounds for 5 s: There is a fault in the vehicle. ▶ Re-connect the vehicle
F5	LED pulses red for 0.5 s at 0.5 s and 3 s intervals. An acoustic signal sounds for 0.5 s: The supply voltage is outside the valid range of 180 V to 270 V. See details in chapter 8.3, "Installation" on page 5. ▶ Checking by an authorised electrician.
F6	LED is red and an acoustic signal sounds for 0.5 s. Then, after a pause of 1 s, the acoustic signal sounds for 5 s: There is a problem in the voltage or system monitoring.  Danger of fatal electric shock. Switch off and secure the power supply to the charging station. Only then unplug the cable from the vehicle. Contact the Webasto Charging Hotline. You can find this on our website at www.webasto-charging.com

4.3 Key-operated switch

Fig. 6

The key-operated switch is used for authorisation purposes and can be turned through 90°. Turn clockwise to unlock the charging station. Turn anticlockwise to lock the charging station.

← **NOTE**

The key can be removed in both positions. The locked charging station is not switched off, but is merely in locked mode (no charging possible).

4.4 Start charging

Fig. 7

← **NOTE**

Always take into account the vehicle requirements before charging a vehicle.

← **NOTE**

Park the vehicle for charging such as to avoid strain in the charging cable. See Fig. 7

Action	Description
▶ Connect the charging coupling to the vehicle.	Charging station performs system and connection tests.
	At the start of charging, the LED strip which was initially green starts to pulse blue. If the vehicle is not ready for charging (e.g. the battery is full), a blue chase light runs up and down.

4.5 Stop charging

The vehicle has stopped the charging cycle automatically:

Action	Description
▶ Unlock the car if necessary.	LED: Blue chase light running up and down. Vehicle is connected, not charging.
▶ Unplug the charging coupling from the vehicle.	
▶ Lock charging coupling in the holder of the charging station.	

If the vehicle does not automatically stop the charging cycle:

Action	Description
▶ Set key-operated switch to "Off" position.	Charging cycle is stopped. The LED changes to a green chase light running up and down. Operating status N6
Or	Charging cycle is stopped. The LED changes to a blue chase light running up and down. Operating status N5.
▶ Stop charging cycle at vehicle.	

5 Transportation and storage

Observe the ambient temperature for storage during transportation. See Technical data. Transport the charging station only when suitably packaged.

6 Scope of delivery

Scope of delivery	Amount
Charging station	1
Charging cable with charging coupling	1
Installation kit for wall mounting	
– Wall plug (8 x 50 mm, Fischer UX R 8)	4
– Screw (6 x 70, T25)	2
– Screw (6 x 90, T25)	2
– Washer (12 x 6.4 mm, DIN 125-A2)	4
– Screw (3 x 20 mm, T10) (2 replacement screws)	2+2
– Mounting bracket	1
– Bushing (1 as replacement part)	2
Installation kit for charging cable:	
– Spiral antikink protection	1
– Cable tie	1
– Strain relief clamp	1
– Screw (6.5 x 25 mm, T25) for fastening the strain relief clamp	2

Scope of delivery	Amount
Operating and installation instructions	1
Key	2

← **NOTE**

The Fischer universal wall plug UX R 8 supplied is a plastic wall plug made of high quality nylon. The universal wall plug splays out in solid building materials and catches in wooden and board materials for excellent retention.

7 Required tools

Tool description	Amount
Slot-head screwdriver 0.5x3.5 mm	1
Torx screwdriver Tx25	1
Torx screwdriver Tx10	1
Torque wrench (range covers 5-6 Nm, for Tx25)	1
Torque wrench (range covers 4-5 Nm, for open-ended spanner size 29)	1
Drilling machine with 8 mm drill	1
Hammer	1
Measuring tape	1
Spirit level	1
Wire stripping tool	1
Installation tester	1
EV simulator with rotary field display	1
Round file	1
Combination pliers	1

8 Installation and electrical connection

⚠ **DANGER**

Observe the safety information provided here chapter 2, "Safety" on page 1.

To access further documents use one of the following options:

- The Webasto Dealer Portal (<https://dealers.webasto.com>)
- The Webasto Service App
Go to <https://apps.apple.com/> or scan the following QR Code to download the app from the Apple App Store.
To download from the Google Play Store go to <https://play.google.com/> or scan the following QR Code.



To use the Webasto Service App and access online Webasto technical documentation, please scan the QR code or the barcode on your Webasto product box. Our operating instructions are also available on our website at www.webasto-charging.com/default/ documentation. All languages can be found in the download portal on our website.

NOTE

The Webasto Pure safety concept is based on a power supply system that is earthed at all times, which must always be ensured by an electrician during installation.

8.1 Requirements installation space

The following points must be taken into account when selecting the installation location for the Webasto Pure:

- The lower edge of the enclosed mounting template must be a minimum distance of 90 cm above the ground during installation. (See Fig. 14)
- If several charging stations are installed next to each other, a spacing of at least 200 mm must be maintained between each station.
- The mounting surface must be solid and strong.

- The mounting surface must be completely flat (max. 1 mm difference between the individual mounting points).
- The mounting surface must not contain any flammable substances.
- A cable run from the charging station to the vehicle as short as possible.
- No risk of driving over the charging cable.
- Possible electrical connections from infrastructure.
- Pavements and escape routes must not be obstructed.
- We recommend an installation location that is protected against direct sunlight for optimum and fault-free operation.
- The usual parked position of the vehicle, taking account of the position of the charging plug on the vehicle.
- Consideration of local building and fire protection regulations.

NOTE

The mounting distance between the bottom edge of the charging station and the floor must be at least 0.9 m.

8.2 Criteria for the electrical connection

The maximum charging current is factory set and is indicated on the type label of the charging station. The maximum charging current can be reduced to the value of the installed circuit breaker using DIP switches.

NOTE

The current value of the selected protective device must not fall below the current value specified on the type plate for the charging station or that set using the DIP switch. See chapter 8.6 DIP switch settings.

The installation requirements for the charging station should be checked by an electrician before starting connection works.

Comply with the nationally applicable regulations of the authorities and power supply companies, e.g. registration of installation of a charging station.

NOTE

In some countries, single-phase charging is limited to a defined current. Please observe the local connection requirements.

All protective devices specified must be designed such that every power supply pole of the charging station is disconnected in the case of a fault. When selecting the protective device, you must use the national installation regulations and standards.

8.2.1 Dimensioning of the Residual Current Circuit Breaker (RCCB)

The national installation regulations generally apply. Unless otherwise specified therein, each charging station must be protected by an appropriate residual current device (RCD type A) with a trip current of ≤ 30 mA.

8.2.2 Dimensioning of the circuit breaker

The circuit breaker must conform to IEC 60898. The let-through energy (I^2t) must not exceed a maximum 80,000 A²s.

Alternatively, a residual current circuit breaker combination (RCBO) according to EN 61009-1 can be used. The aforementioned parameters apply for this circuit breaker combination.

8.2.3 Mains isolation device

The charging station does not have its own main ON/OFF switch. The protective devices installed in the power supply system are therefore also used to disconnect the power supply.

8.3 Installation

See also chapter 15, "Assembly" on page 9. The supplied installation material is intended for mounting the charging station on a concrete wall or on an external stand. For installation on a stand, the mounting material is included in the scope of delivery of the stand.

- ✓ Scope of delivery is checked for completeness.

- ▶ Take into account the mounting position at the installation location. See Fig. 14.

NOTE

The central hole must be drilled!

- ▶ Remove the drill template at the perforation from the packaging.
- ▶ Mark the four positions of the drill holes at the installation location using the drill template. See Fig. 14.
- ▶ Drill 4 holes of Ø 8 mm in the marked positions.
- ▶ Position the bracket over the upper holes and mount using 2 wall plugs and 2 screws, 6 x 70 mm, T25.
- ▶ Remove the lower cover from the connection area of the charging station.

Fig. 8

- ▶ Remove the spiral antikink protection from the connection area of the charging station and place it with the other supplied material.
- ▶ For surface mounting, make a recess for routing the lead on the back of the charging station using the designated lateral predetermined breaking points (if necessary deburr the edge of the break using a round file).
- ▶ Insert the lead through the designated lead-through and fit the charging station on the previously mounted bracket.
- ▶ Mount the charging station using 2 screws, 6 x 90 mm, T25 using the mounting holes in the lower connection area. Do not exceed the max. torque of 6 Nm.

8.3.1 Connecting the charging cable

- ▶ Push the spiral antikink protection with the threadless opening forward over the supplied charging cable.
- ▶ Guide the charging cables through the previously pre-assembled sealing clip.

NOTE

Ensure correct fit of the previously pre-assembled rubber seals in the sealing clip.

- ▶ Push the charging cable at least 10 mm beyond the upper edge of the clamping area of the strain relief clamp.

- ▶ Turn the antikink protection spiral several turns onto the sealing clip.

NOTE

Do not tighten yet.

Fig. 9

- ▶ Screw in the supplied strain relief clamp in the correct position on the charging cable.

NOTE

The strain relief clamp has two position options for charging cable versions 11 kW and 22 kW. Ensure that the "11 kW installed" label for an 11 kW charging cable faces downward and is not visible.

- ▶ Fit the strain relief clamp in the correct mounting position using the supplied self-tapping Torx screws (6.5 x 25 mm) and tighten to 5.5 Nm. (Attention: Do not overtighten screws).
- ▶ The strain relief clamp must be flush when securely screwed in.

NOTE

Perform a tension test on the charging cable to make sure that the cable cannot move.

- ▶ Screw the antikink protection spiral onto the sealing clip with a torque of 4 Nm.
- ▶ Using the slot-head screwdriver (3.5 mm), connect the individual cable ends according to the specification in the illustration on the right terminal block with the "out" label.
- ▶ To do this, insert the screwdriver in the designated upper opening of the spring relief for the terminal block and open the clamping spring.
- ▶ Now insert the individual wire into the designated connection opening of the terminal block (lower opening).

Charging cable Description

Blue	N
Brown	L1
Black	L2
Grey	L3
Yellow-green	PE

Charging cable Description

Black-white	Control cable (CP)
-------------	--------------------

- ▶ Then pull the screwdriver out again and perform a tension test to make sure that the individual wires are clamped properly and fully.
- ▶ Connect the black/white control cable (CP) to the terminal (contact A). See Fig. 2.

NOTE

Push the white spring contact of the connection on the right down while inserting the control cable fully.

- ▶ Perform a tension test to make sure that the cable is clamped properly and fully.

8.4 The electrical connection

- ▶ Check and make sure that the lead is tension-free and measures have been taken to secure against being switched on.
- ▶ Check and comply with all the requirements necessary for the connection and mentioned previously in these instructions.
- ▶ Take the cable gland grommets from the supplied material.
- ▶ Slide the cable bushing over the lead.

NOTE

Ensure that the insertion aid for the grommet is on the back of the charging station when in the final installed state, however, do not position it in the housing lead-through yet.

- ▶ Remove the sheathing of the lead.
- ▶ If a rigid lead is used, bend the individual wires paying attention to the minimum bend radiuses so that it is possible to connect them to the terminals without significant mechanical stress.
- ▶ Remove the insulation from the individual wires as per the illustration. (Note: Avoid damage to the copper braid).

Fig. 10

- ▶ Using the slot-head screwdriver (3.5 mm), connect the individual cable ends according to the specification in the illustration on the left terminal block with the "Power In" label.

NOTE

Make sure to connect them using the correct connection sequence for a right rotating field.

- ▶ To do this, insert the screwdriver in the designated upper opening of the spring relief for the terminal block and open the clamping spring.
- ▶ Now insert the individual wire into the designated connection opening of the terminal block (lower opening).
- ▶ Then remove the screwdriver again and perform a tension test to ensure that the individual wires are clamped properly and fully and no exposed copper areas are visible.

NOTE

If multiple charging stations are connected to a common main power supply point, there is a risk of overload.

▶ A phase rotation must be provided and adapted to the connection configuration of the charging station. See online configuration manual: <https://webasto-charging.com/documentation>.

- ▶ Insert the data line into the designated connection in the connection area. See chapter 3.1, "Control cable (Control Pilot)" on page 3 and Fig. 2
- ▶ Remove any soiling such as insulation trimmings out of the connection area.
- ▶ Check again for firm attachment of all wires in the corresponding terminal.
- ▶ Next position the cable bushing in the housing lead-through.

NOTE

Make sure there are no air gaps between the housing and the cable bushing.

8.4.1 The electrical connection in split-phase systems

Terminal configuration:

Supply lead	Terminal block
L1	L1
L2	Neutral

DIP switch configuration: D6 = 0

NOTE

This terminal configuration does not define the unbalance load limit.

8.5 Active power increase

See Fig. 2

The active power increase as per the rules of VDE-AR-N 4100 should be connected as follows.

The two cables from the radio control receiver should be inserted into this connector (position 3 & 4) – the allocation is irrelevant (max. cable cross-section 1.5 mm²).

8.6 DIP switch settings

⚠ DANGER**High voltages.**

- ▶ Danger of fatal electric shock.

▶ Ensure safe isolation from the power supply. DIP-switches configure the current setting of the charging station.

Fig. 11

DIP switch up/ON = 1

DIP switch down/OFF = 0

DIP-switch factory setting: 000111

NOTE

Changes to the DIP switch settings become active after re-starting the charging station.

The DIP switches should be programmed in such a way that the output power illustrated below for the single- and three-phase charging operation can be set to the desired current (D1-D6).

D1	D2	D3	[A]	Description
0	0	0	8	Factory settings
0	0	1	10	
0	1	0	13	
0	1	1	16	
1	0	0	20	
1	0	1	25	

D1	D2	D3	[A]	Description
1	1	0	32	
1	1	1	0	Demo mode: charging not possible

D4 0= no unbalance load limit for single-phase charging, 1= unbalance load limit at 16A and D1-D3 > 20A (for CH and AT).

D5 0= no unbalance load limit for single-phase charging, 1= unbalance load limit at 20A and D1-D3 > 25A (for D).

D6 1= TN/TT system, 0= IT system (only 1-phase connection possible). See chapter 8.4.1, "The electrical connection in split-phase systems" on page 7

8.7 Initial start-up

8.7.1 Safety check

Document the results of the checks and measurements carried out during initial start-up corresponding to the applicable installation requirements and standards. The local regulations relating to operation, installation and environmental protection also apply.

8.7.2 Start-up procedure

- ▶ Remove material residues from the connection area.
- ▶ Check that every screw is correctly tightened and every clamp is correctly engaged.
- ▶ Fit the lower cover.
- ▶ Secure the bottom cover with the mounting screws; carefully tighten the mounting screws to the stop. See Fig. 8.
- ▶ Switch on power supply.
 - Start sequence is activated (duration up to 60 seconds).
 - White chase light running up and down. See Fig. 4 operating status N2.

- ▶ If necessary, unlock charging station with key-operated switch.
- ▶ Perform initial operation check and record measured values in test log. An EV simulator is used for the measurement at the charging coupling.
- ▶ Simulate and test the individual operating and protection functions with the EV simulator.
- ▶ Connect the charging cable to the vehicle.
 - The LED changes from green to pulsing blue.

9 Settings

NOTE

It is necessary to complete the following procedures within a certain time, therefore read through all the steps before starting the procedure.

9.1 Dim LED indicator

Fig. 12

See also Key-operated switch.

- ✓ Charging station switched on.
 - ✓ LED indicator is green.
 - ✓ Key-operated switch set to ON.
 - ✓ No vehicle connected.
 - ▶ Set key-operated switch from ON to OFF, green chase light runs from bottom to top, wait until it reaches the bottom again.
 - ▶ Set key-operated switch from OFF to ON (switch to ON within 3 seconds)
 - Dimming mode is unlocked
- The LED indicator changes to blue and dims in several stages from maximum to minimum, in 3 second intervals. After reaching the lowest dim level, the LED indicator switches back to maximum. This cycle through the brightness stages is repeated five times.
- ▶ Set key-operated switch from ON to OFF.

- ✓ Dim level is selected.

NOTE

The LED is set to max. brightness at the factory.

NOTE

The brightness of the error colour shades cannot be changed.

10 Decommissioning the product

A decommissioning shall be carried out only by an electrician.

- ▶ Disconnect the power supply.
- ▶ Electrically disconnect the charging station.
- ▶ Disposal: see chapter 13, "Disposal" on page 8.

11 Maintenance, cleaning, repair

11.1 Maintenance

Maintenance must only be carried out by an electrician and in accordance with local requirements.

11.2 Cleaning

DANGER

High voltages.

Danger of fatal electric shock. Do not clean the charging station with a high-pressure cleaner or similar device.

- ▶ Clean the installation only with a dry cloth. Do not use aggressive cleaning agents, wax or solvents.

11.3 Repair

Unauthorised repair of the charging station is not permitted.

Webasto reserves the exclusive right to perform repairs to the charging station. It is only permitted for repairs to be carried out by an electrician using original spare parts sold by Webasto.

12 To replace the charging cable

DANGER

Danger of fatal electric shock.

- ▶ Switch off and secure the power supply to the charging station.

NOTE


Only use genuine Webasto parts.

NOTE

The charging cable may be replaced a maximum of four times during the service lifetime of the Webasto Pure.

NOTE

Refer to the Webasto online shop for part numbers: www.webasto-charging.com

-  Follow the installation instructions provided with the repair kit when replacing the charging cable.

13 Disposal



The symbol of the crossed-out waste bin indicates that this electrical/electronic device must not be disposed of in household waste at the end of its service life. Dispose of the device free of charge at a local collection point for electrical/electronic devices. Addressed can be obtained from your city or local authority. Separate collection of electrical and electronic devices enables re-use, material recycling or other forms of re-utilisation of waste equipment while also avoiding the negative effects of hazardous substances which may be contained in the devices on the environment and for human health.

- ▶ Dispose of packaging in corresponding recycling container in accordance with national regulations.

14 Declaration of conformity

The Webasto Pure has been developed, produced, tested and supplied in accordance with the applicable legal regulations of the specified sales regions.

The complete text of the EU-declaration of conformity is available on the download area of <http://webasto-charging.com/>.

15 Assembly

Fig. 13

Fig. 14

16 Technical data

Description	Data
Mains voltage [V]	230 / 400 AC
Rated current [A]	8A, 10A, 13A, 16A, 20A, 25A, 32A (single-phase, 3-phase), split phase (L1+L2, without N), max. 16A possible with 11 kW charging station
Grid frequency [Hz]	50
Network types	TT / TN (single- and 3-phase) / IT (1-phase)
EMC class	Emitted interference: class B (residential, business, commercial areas) Immunity: industrial areas
Overvoltage category	III as per EN 60664
Protection class	I
IP-protection class	IP54
Protection against mechanical impact	IK08
Protective devices	Earth leakage circuit breaker RCD of type A & circuit breaker. See chapter 8 Installation and electrical connection.
Fixation type	Wall and base mounting (permanently connected)
Cable feed	Mounted on-wall or in-wall
Power supply conductor cross section	Depending on the cable and type of installation, the recommended minimum cable cross-section for a standard installation is: 6 mm ² (for 16 A) 10 mm ² (for 32 A)
Charging cable with charging coupling	Type 2 according to EN 62196-1 and EN 62196-2
Mains connection terminal	Connection cable: – rigid (min.-max.) 2.5-10 mm ² – flexible (min.-max.) 2.5-10 mm ² – flexible (min.-max.) with wire end ferrule 2.5-10 mm ²
Output voltage [V]	230 / 400 AC
Max. charging power [kW]	11 kW or 22 kW (depending on factory configuration)
Ambient temperature [°C]	-30 to +55 (without direct solar radiation)
Storage temperature range [°C]	-30 to +80
Display	LED element
Lock	Key-operated switch set to start charging
Altitude [m]	max. 3000 (above sea level)
Permissible relative humidity [%]	5 up to 95; non-condensing
Weight [kg]	11 kW 4.5 m: 4.6 kg 7 m: 5.3 kg

Description	Data
	22 kW 4.5 m; 5.7 kg 7 m: 6.8 kg
Dimensions [mm]	See figures in Assembly

17 Check list for the installation of the Webasto charging station

Charging station	Webasto Pure	
Charging power	11 kW <input type="checkbox"/>	22 kW <input type="checkbox"/>
Serial number		
Material number		
General :		Applicable/ completed
Installation, electrical connection and initial operation of the charging station must be carried out by an electrician.		<input type="checkbox"/>
Local conditions:		
The charging station has not been installed in an explosion sensitive area (EXzone).		<input type="checkbox"/>
The charging station has been installed in a location where falling objects cannot damage the charging station.		<input type="checkbox"/>
The charging station is installed in an area protected from direct sunlight, as recommended.		<input type="checkbox"/>
The location of the charging station should be selected such that vehicles cannot inadvertently collide with it.		<input type="checkbox"/>
The legal requirements for electrical installations, fire protection, safety regulations and escape routes have been met.		<input type="checkbox"/>
The charging cable and coupling has been protected against coming into contact with external heat sources, water, dirt and chemicals.		<input type="checkbox"/>
The charging cable and coupling has been protected against being driven over, trapped or any other mechanical hazards.		<input type="checkbox"/>
The customer/user was informed how the Webasto Pure voltage is switched off with the installation-side protective devices.		<input type="checkbox"/>
Charging station requirements:		
The cable bushing for the mains lead and signal cable has been installed during installation.		<input type="checkbox"/>
The kink protection for the charging cable has been screwed onto the charging station and the rubber seal has been fitted correctly into the kink protection.		<input type="checkbox"/>
The appropriate charging cable (11 kW or 22 kW) has been connected to the charging station (as per type label) during installation. The strain relief clamp that ensures the charging cable has strain relief has been fitted. The specified torques have been observed. The charging cable has been connected as per the instructions.		<input type="checkbox"/>
Tools and installation remnants have been removed from the charging station before closing the cover.		<input type="checkbox"/>
The locally applicable test logs should be drawn up during commissioning and a copy should be given to the customer.		<input type="checkbox"/>
Customer/client:		
Place:	Signature:	
Date:		
Electrician/contractor:		
Place:	Signature:	
Date:		

Sisällysluettelo

1	Yleistä.....	105			
1.1	Asiakirjan tarkoitus.....	105			
1.2	Tämän asiakirjan käsittely.....	105			
1.3	Tarkoituksenmukainen käyttö.....	105			
1.4	Symbolien ja korostusten käyttö.....	105			
1.5	Takuu ja vastuuvollisuus.....	105			
2	Turvallisuus.....	105			
2.1	Yleistä.....	105			
2.2	Yleiset turvallisuusohjeet.....	105			
2.3	Turvallisuusohjeet asennusta varten.....	106			
2.4	Sähkölitaintää koskevat turvallisuusohjeet.....	106			
2.5	Käyttöönottoa koskevat turvallisuusohjeet.....	106			
3	Laitteen kuvaus.....	107			
3.1	Ohjausjohto (Control Pilot).....	107			
4	Käyttö.....	107			
4.1	Yleiskatsaus.....	107			
4.2	LED-näytöt.....	107			
4.3	Avainkatkaisin.....	108			
4.4	Latauksen aloittaminen.....	108			
4.5	Latauksen päättäminen.....	108			
5	Kuljetus ja varastointi.....	108			
6	Toimitussisältö.....	108			
7	Vaaditut työkalut.....	108			
8	Asennus ja sähköliitäntä.....	109			
8.1	Asennusaluetta koskevat vaatimukset.....	109			
8.2	Sähkölitännän kriteerit.....	109			
8.3	Asentaminen.....	109			
8.4	Sähkölitaintä.....	110			
8.5	Vaikutusteho-ohjaus.....	111			
8.6	DIP-kytkimen asetus.....	111			
			8.7	Ensikäyttöönotto.....	111
			9	Asetukset.....	112
			9.1	LED-näytön himmentäminen.....	112
			10	Tuotteen poistaminen käytöstä.....	112
			11	Huolto, puhdistus ja korjaus.....	112
			11.1	Huolto.....	112
			11.2	Puhdistus.....	112
			11.3	Korjaus.....	112
			12	Latausjohdon vaihtaminen.....	112
			13	Hävittäminen.....	112
			14	Vaativuuden mukaisuusvakuutus.....	112
			15	Asennus.....	113
			16	Tekniset tiedot.....	114
			17	Tarkastusluettelo Webasto-latausaseman asennukseen....	116

1 Yleistä

1.1 Asiakirjan tarkoitus

Tämä käyttö- ja asennusohje on osa tuotetta ja sisältää käyttäjälle suunnattuja tietoja tuotteen turvallisuudesta käytöstä sekä sähköasentajille suunnattuja tietoja Webasto Pure-latausaseman turvallisuudesta asentamisesta.

1.2 Tämän asiakirjan käsittely

- ▶ Lue käyttö- ja asennusohje ennen Webasto Pure:n asennusta ja käyttöönottoa.
- ▶ Säilytä käyttöohje käden ulottuvilla.
- ▶ Anna ohje latausaseman seuraavalle omistajalle tai käyttäjälle.

OHJE

Haluamme huomauttaa, että asianmukaista asennusta varten asentajan on laadittava asennuspöytäkirja. Lisäksi pyydämme sinua täyttämään lomakkeen Tarkastusluettelo Webasto-latausaseman asennukseen.

OHJE

Henkilöt, joilla on puutteellinen värinäkö, tarvitsevat apua virhenäyttöjen järjestämisessä.

1.3 Tarkoituksenmukainen käyttö

Webasto Pure-latausasema on tarkoitettu sähkö- ja hybridiajoneuvojen lataamiseen standardin IEC 61851-1 mukaan, lataustila 3. Tässä lataustilassa seuraavat seikat on varmistettu:

- Jännite kytketään päälle vasta sitten, kun ajoneuvo on liitetty oikein.
- Enimmäisvirtavoimakkuudet tasataan.

1.4 Symbolien ja korostusten käyttö

VAARA

Tämä merkintä kuvaa riskiesteeltään suurta vaaraa, joka saattaa johtaa ohjeen laiminlyömisestä seurauksena kuolemaan tai vakavaan vammaan.

VAROITUS

Tämä merkintä kuvaa riskiesteeltään keskiuurtavaa vaaraa, joka saattaa ohjeen laiminlyönnin seurauksena johtaa lievään tai keskiuurtavaan vammaan.

OHJE

Ohje Tämä merkintä kuvaa teknistä erikoispiirrettä (jos ohjetta laiminlyödään) tai mahdollista tuotevauriota.

- ✓ Seuraavan toimintaohjeen edellytys
- ▶ Toimintaohje

HUOMIO

Tämä merkintä kuvaa riskiesteeltään pientä vaaraa, joka saattaa ohjeen laiminlyönnin seurauksena johtaa lievään tai keskiuurtavaan vammaan.

1.5 Takuu ja vastuuvollisuus

Webasto ei ole vastuussa puutteista ja vaurioista, jotka johtuvat asennus- ja käyttöohjeiden sekä niiden sisältämien ohjeiden noudattamatta jättämisestä. Tämä vastuuvollisuuden päätyminen koskee etenkin seuraavia:

- epäasianmukainen käyttö
- muiden kuin Webaston valtuuttamien sähköasentajien suorittamat korjaukset
- muiden kuin aitojen varaosien käyttö.
- ilman Webaston hyväksyntää suoritettujen laitteen muutostyöt.
- muun kuin pätevän henkilökunnan (muu kuin sähköasentaja) suorittama asennus ja käyttöönotto.
- epäasianmukainen hävittäminen käytöstä poiston jälkeen

2 Turvallisuus

2.1 Yleistä

Latausasema on kehitetty, valmistettu, tarkastettu ja dokumentoitu voimassa olevien, olennaisten turvallisuusmääräysten ja ympäristönsuojelumääräysten mukaisesti. Laitetta saa käyttää vain sen ollessa teknisesti moitteettomassa kunnossa.

Häiriöt, jotka heikentävät henkilöiden tai laitteen turvallisuutta, on jätettävä välittömästi sähköasentajan korjattaviksi kansallisten, voimassa olevien säädösten mukaisesti.

OHJE

Saattaa olla, että ajoneuvossa olevat symbolit ja merkit poikkeavat tässä kuvatuista. Tämän vuoksi on aina luettava kulloisenkin ajoneuvonvalmistajan laatimat käyttöoppaat ja noudatettava niissä annettuja ohjeita.

2.2 Yleiset turvallisuusohjeet

- ▶ Vaarallisen korkea jännite sisäosissa.
- Latausasemassa ei ole omaa päävirtakatkaisijaa. Verkkoon asennetut suojalaitteet toimivat myös verkkokatkaisijoina.
- Tarkista latausasema ennen sen käyttöä silmämääräisesti vaurioiden varalta. Jos havaitset vaurioita, älä käytä latausasemaa.
- Latausaseman asennuksen, sähköliittännän ja käyttöönoton saavat suorittaa vain sähköasentajat.
- Älä poista asennusalueen suojusta käytön aikana.
- Älä irrota merkintöjä, varoitussymboleita ja tyypikkilpeä latausasemasta.
- Vain sähköasentajat saavat vaihtaa latausjohdon ohjeiden mukaisesti.
- Muiden laitteiden liittäminen latausasemaan on ehdottomasti kiellettyä.
- Kun latausjohtoa ei käytetä, se on säilytettävä sitä varten olevassa pidikkeessä, ja latauskytkin latausasemassa on lukittava. Aseta latausjohto väljästi kotelon ympärille niin, ettei se kosketa lattiaa.
- Varmista, että latausjohto ja -pistoke on suojattu niiden yli ajamiselta, puristumiselta ja muilta mekaanisilta vaaroilta.
- Jos latausasema, -johto tai -pistoke on vaurioitunut, ilmoita asiasta välittömästi huoltoon. Älä jatka latausaseman käyttöä.
- Latausjohto ja -pistoke on suojattava äärimmäsiltä lämmönlähteiltä, vedeltä, lialta ja kemikaaleilta.

- Webasto Live -latausasema laskee huoltotarkoituksia varten latausliittimen liitäntäkerrat ja ilmoittaa verkkoliittymän kautta 10 000 liitäntäkerran jälkeen, että latausliittimen pistokekoskettimien mahdollinen kuluminen on jätettävä sähköasentajan tarkastettavaksi. Jos tarkastuksessa todetaan kulumista, sähköalan ammattilaisen on korvattava latausjohto uudella, alkuperäisellä Webasto-varaosalla.
- Älä pidennä latausjohtoa jatkojohtoilla tai sovittimilla liittääksesi sen ajoneuvoon.
- Irrota latausjohto vain vetämällä latausliittimestä.
- Älä koskaan pese latausasemaa painepesurilla tai muulla vastaavalla laitteella.
- Puhdistaaksesi latauspistokkeen sammuta sähköjännitteen syöttö.
- Latausjohto ei saa altistua käytön aikana veterasitukselle.
- Varmista, että vain sellaiset henkilöt pääsevät käsiksi latausasemaan, jotka ovat lukeneet aseman käyttöohjeen.

VAROITUS

- Kun latauskaapelia ei käytetä, se on laitettava sille tarkoitettuun pidikkeeseen ja latausliitin etätelakassa on lukittava. Kierrä latauskaapeli löysästi etätelakan ympärille varmistaen, ettei se kosketa maata.
- Varmista, ettei latauskaapelin ja liittimen yli voida ajaa, ettei siihen voi kompastua ja ettei se aiheuta muita vaaratilanteita.

2.3 Turvallisuusohjeet asennusta varten



- Huomioi paikalliset, lakisääteiset vaatimukset suunnitellun asennuspaikan sähköasennuksia, tulipalosuojausta, turvallisuusmääräyksiä ja pelastusteitä koskien.
- Käytä vain mukana toimitettuja asennusmateriaaleja.
- Laitteen ollessa auki on ryhdyttävä asianmukaisiin ESD-suojatoimenpiteisiin staattisen sähköpurkauksen välttämiseksi.

- Käytä sähköstaattisesti riskialttiita piirilevyjä käsitellessäsi maadoitettuja, antistaattisia rannekeita ja noudata voimassa olevia ESD-suojatoimenpiteitä. Rannekeita saa käyttää vain latausyksikön asennuksen ja liittämisen aikana. Rannekeita ei koskaan saa käyttää jännitettä johtavan Webasto Puren käsittelyn aikana.
- Sähköasentajan on Webasto Puren asennuksen yhteydessä oltava asianmukaisesti maadoitettu.
- Älä asenna Webasto Puraa räjähdyksivaaralliselle alueelle (Ex-alue).
- Asenna Webasto Pure niin, ettei latausjohto tuki mitään läpikulkukohtaa tai estä pääsyä.
- Älä asenna Webasto Puraa ympäristöihin, jotka sisältävät ammoniakkaa tai ammoniakkipitoista ilmaa.
- Älä asenna Webasto Pura paikkaan, jossa putoavat esineet saattavat vaurioittaa sitä.
- Webasto Pure on tarkoitettu käytettäväksi sekä sisä- että ulkotiloissa.
- Älä asenna Webasto Pura vedensuihutuslaitteistojen, kuten esim. autonpesulaitteistojen, painepesureiden tai puutarhaletkujen, läheisyyteen.
- Suojaa Webasto Pure pakkasen, rakeiden tai vastaavien aiheuttamilta vaurioilta. Haluamme muistuttaa, että IP-kotelointiluokka on IP54.
- Webasto Pure on tarkoitettu käytettäväksi alueilla, joille pääsyä ei ole rajoitettu.
- Suojaa Webasto Pure suoralta auringonpaisteelta. Korkeat lämpötilat saattavat heikentää latausvirtaa tai jopa keskeyttää koko latauksen. Käyttölämpötila on -30 °C ... +55 °C.
- Webasto Puren asennuspaikka on valittava niin, ettei sitä päin voida ajaa ajoneuvoilla. Jos vaurioiden syntymistä ei voida pois sulkea, on ryhdyttävä varotoimenpiteisiin.
- Älä ota Webasto Pura käyttöön, jos se on vaurioitunut asennuksen aikana; tällöin laite on vaihdettava.

2.4 Sähköliitäntää koskevat turvallisuusohjeet



VAROITUS

- Kansalliset, lakisääteiset vaatimukset suunnitellun asennuspaikan sähköasennuksia, tulipalosuojausta, turvallisuusmääräyksiä ja pelastusteitä koskien on otettava huomioon. Noudata kulloinkin voimassa olevia, kansallisia asennusmääräyksiä.
- Jokainen latausasema on suojattava omalla, liitäntäasennuksessa olevalla vikavirtasuojakytkimellä ja johtosuojakytkimellä. Katso Asennuspaikkaa koskevat vaatimukset.
- Varmista ennen latausaseman sähköliitäntää, ettei sähköliitäntöissä ole jännitettä.
- Älä liitä latausasemaa vielä ajoneuvoon ensimmäisen käyttöönoton yhteydessä.
- Varmista, että sähköverkko liitäntään käytetään oikeaa liitäntäjohtoa.
- Älä jätä latausasemaa valvomatta asennusjoukosen ollessa auki.
- Muuta DIP-kytkimen asetusta vain laitteen ollessa sammutettuna.
- Huomioi mahdolliset ilmoitukset verkkovirtaa käyttävien laitteiden kohdalla.

2.5 Käyttöönottoa koskevat turvallisuusohjeet



VAROITUS

- Ainoastaan sähköasentaja saa ottaa latausaseman käyttöön.
- Sähköasentajan on tarkistettava latausaseman oikeanlainen liitäntä ennen käyttöönottoa.
- Ennen latausaseman käyttöönottoa latausjohto, -pistoke ja latausasema itsessään on tarkistettava silmämääräisesti mahdollisten vaurioiden ja vioitteiden kohtien varalta. Vaurioituneen

latausaseman käyttöönotto tai aseman käyttöönotto latausjohdon/-pistokkeen ollessa vaurioitunut, on kiellettyä.

3 Laitteen kuvaus

Kuva 1

Tässä käyttö- ja asennusohjeessa kuvattu latausasema on Webasto Pure-versio. Tarkka laitekuvaus, joka vastaa seitsemästä numerosta ja yhdestä kirjaimesta muodostuvaa materiaalinumeroa, on latausaseman tyyppikilvessä.

3.1 Ohjausjohto (Control Pilot)

Kuva 2

Latausjohto sisältää energiajohtojen lisäksi datajohdon, jota kutsutaan nimellä CP-johto (Control Pilot). Tämä johto (musta – valkoinen) liitetään CP-liitännän push-in-liittimeen A. Tämä koskee alkuperäisen latausjohdon asennusta samoin kuin latausjohdon vaihtamista.

4 Käyttö

4.1 Yleiskatsaus

Kuva 3

Selitys

- | | |
|--------------------------|----------------------------|
| 1 LED-näyttö | 4 Lukko, pääsy alapuolelta |
| 2 Pidike latausjohdolle | 5 Asennusruuvit |
| 3 Latausliittimen pidike | |

4.2 LED-näytöt

4.2.1 Käyttötavan LED-näyttö

Kuva 4


Laitteen tilan näyttö	Kuvaus
N1	LED-valo ei pala:

Laitteen tilan näyttö	Kuvaus
	latausasema on pois päältä.
N2	Valkoinen juokseva valo kulkee ylös/alas: latausasema käynnistyy.
N3	LED palaa jatkuvasti vihreänä: latausasema on valmiutilassa.
N4	LED sykkii sinisenä: Latausasema on käytössä, ajoneuvoa ladataan.
N5	Sininen juokseva valo kulkee ylös/alas: latausliitin liitetty ajoneuvoon, lataus keskeytetty.
N6	Vihreä juokseva valo kulkee ylös/alas: latausasema on käytössä mutta lukittu avaimella.
N7	Oranssi juokseva valo kulkee ylös/alas: verkotarjoaja on keskeyttänyt latauksen.

4.2.2 LED-virhenäyttö

Kuva 5

Virhenäyttö	Kuvaus
F1	LED palaa vihreänä, keltainen sykkii: Latausasema on tavallista kuumempi ja ajoneuvoa ladataan vähennetyllä teholla. Jäähdytysvaiheen jälkeen latausasema jatkaa normaalia latausta.
F2	LED palaa jatkuvasti keltaisena ja 0,5 sekunnin ajan kuuluu äänimerkki: liian korkea lämpötila. Jäähdytysvaiheen jälkeen latausasema jatkaa normaalia latausta.
F3	LED palaa vihreänä, punainen sykkii ja kuuluu äänimerkki 0,5 sekunnin ajan: Latausaseman liitännässä on asennusvirhe, vaihevalvonta on aktivoitu, latausasema lataa vähennetyllä teholla.

Virhenäyttö	Kuvaus
	► Sähköasentajan on tarkistettava kiertokenttä. Edellytyksenä on kierto myötöpäivään.
F4	LED sykkii 2 sekunnin jaksoissa 1 sekunnin punaisena ja 0,5 sekunnin ajan kuuluu äänimerkki. Tämän jälkeen on 1 sekunnin tauko ja sitten 5 sekunnin äänimerkki: Ajoneuvon puolella on virhe. ► Liitä ajoneuvo vielä kerran uudelleen
F5	LED sykkii 0,5 sekunnin ja 3 sekunnin jaksoissa 0,5 sekuntia punaisena. Kuuluu äänimerkki 0,5 sekunnin ajan: syöttöjännite on kelpaavan alueen, 180 V ... 270 V, ulkopuolella. Katso tarkat tiedot Luku 8.3, "Asentaminen" sivulla 109 ► Jätä sähköasentajan tarkastettavaksi.
F6	LED palaa jatkuvasti punaisena ja 0,5 sekunnin ajan kuuluu äänimerkki. Tämän jälkeen on 1 sekunnin tauko ja sitten 5 sekunnin äänimerkki: Jännitteen tai järjestelmän valvonnassa on ongelmia.  Tappavan sähköiskun vaara. Sammuta sähkövirran syöttö latausasemaan ja varmista, ettei sitä voida kytkeä uudelleen päälle. Latausjohdon saa irrottaa ajoneuvosta vasta tämän jälkeen. Ota yhteyttä Webasto Charging Hotline -numeroon. Tämä on nähtävissä Internet-osoitteesta www.webasto.com

FI

4.3 Avainkatkaisin

Kuva 6

Avainkatkaisinta käytetään valtuutukseen, ja sitä voidaan kääntää 90 astetta. Avataksesi latausaseman lukituksen käännä katkaisinta myötäpäivään. Lukitaksesi latausaseman käännä katkaisinta vastapäivään.

OHJE

Avain voidaan irrottaa molemmissa asennoissa. Lukittu latausasema ei ole sammutettu vaan sen käyttö on sillä hetkellä estetty (lataus ei ole mahdollista).

FI

4.4 Latauksen aloittaminen

Kuva 7

OHJE

Huomioi aina ajoneuvoa koskevat vaatimukset ennen ajoneuvon lataamisen aloittamista.

OHJE

Ajoneuvo on pysäköitävä latausaseman viereen niin, ettei latausjohto kiristy. Katso Kuva 7

Toimenpide	Kuvaus
▶ Liitä latausliitin ajoneuvon.	Latausasema suorittaa järjestelmä- ja yhteystestin. Alussa vihreänä palava LED-lista alkaa latauksen käynnistyttyä sykkiä sinisenä. Jos ajoneuvo ei ole valmis lataukseen (esim. akku täynnä), valo muuttuu juoksevaksi.

4.5 Latauksen päättäminen Ajoneuvo on päättänyt latausjakson automaattisesti:

Toimenpide	Kuvaus
▶ Avaa tarvittaessa ajoneuvon keskuskukitus.	LED: sininen juokseva valo.
▶ Irrota latausliitin ajoneuvosta.	Ajoneuvo on liitetty mutta sitä ei ladata.

Toimenpide	Kuvaus
▶ Lukitse latausliitin latausaseman pidikkeeseen.	

Jos ajoneuvo ei päättää latausta automaattisesti:

Toimenpide	Kuvaus
▶ Siirrä avainkatkaisin asentoon "Off".	Lataus keskeytetään. LED muuttuu juoksevaksi vihreäksi valoksi. Käyttötila N6
Tai	Lataus keskeytetään. LED muuttuu juoksevaksi siniseksi valoksi. Käyttötila N5.
▶ Päättää lataus ajoneuvosta.	

5 Kuljetus ja varastointi

Huomioi kuljetuksen yhteydessä varastointilämpötila. Katso Tekniset tiedot.

Kuljetuksessa on käytettävä tähän soveltuvaa pakkausta.

6 Toimitussisältö

Toimitussisältö	Kappale määrä
Latausasema	1
Latausjohto ja latausliitin	1
Asennussarja seinäkiinnitystä varten:	
– Tulppa (8 x 50 mm, Fischer UX R 8)	4
– Ruuvi (6 x 70, T25)	2
– Ruuvi (6 x 90, T25)	2
– Aluslevy (12 x 6,4 mm, DIN 125-A2)	4
– Ruuvi (3 x 20 mm, T10) (2 vararuuvia)	2+2
– Seinäkiinnityspidike	1
– Johtoholkki, (1 kpl varaosana)	2
Latausjohdon asennussarja:	
– Kierteinen taittumissuoja	1

Toimitussisältö	Kappale määrä
– Nippuside	1
– Vedonpoistoliitin	1
– Ruuvi (6,5 x 25 mm, T25) vedonpoistoliittimen kiinnittämiseen	2
Käyttö- ja asennusohje	1
Avain	2

OHJE

Mukana toimitettu Fischer-yleisvaarna UX R 8 on laadukkaasta nailonista valmistettu muovivaarna. Yleisvaarna levittäytyy täysrakennusmateriaaliin ja yhdistää onnto- ja levy materiaalin maksimaalista pitoa varten.

7 Vaaditut työkalut

Työkalujen kuvaus	Kappale määrä
Tasapäinen ruuvimeisseli 0,5x3,5 mm	1
Torx-ruuvimeisseli Tx25	1
Torx-ruuvimeisseli Tx10	1
Momenttiavain (alue 5-6 Nm, koolle Tx25)	1
Momenttiavain (alue 4-5 Nm, jakoavaimelle SW29)	1
Porakone ja poranterä 8 mm	1
Vasara	1
Mittanauha	1
Vesivaaka	1
Kuorintatyökalu	1
Asennusmittalaite	1
EV-simulaattori, jossa kiertokentän näyttö	1
Pyöröviila	1
Yhdistelmäpihdit	1

8 Asennus ja sähköliitäntä

⚠ VAARA

Noudata kohdassa Luku 2, "Turvallisuus" sivulla 105 annettuja turvallisuusohjeita.

Lisäasiakirjoihin pääset käsiksi seuraavilla tavoilla:

- The Webasto Dealer Portal (<https://dealers.webasto.com>)
- The Webasto Service App
Ladatakseksi sovelluksen Apple App Storesta siirty sivulle <https://apps.apple.com/> tai skannaa seuraava QR-koodi.
Ladatakseksi sovelluksen Google Play Storesta siirty sivulle <https://play.google.com/> tai skannaa seuraava QR-koodi.



Päästäksesi Webaston Service App -sovellukseen ja Webaston teknisiin online-asiakirjoihin skannaa QR-koodi tai viivakoodi Webasto-tuotepakkauksesta.

Käyttöohjeemme ovat saatavilla myös verkkosivustollamme osoitteessa www.webasto-charging.com/default/documentation. Kaikki kielet löytyvät verkkosivustomme latausportaalista.

OHJE

Webasto Pure-turvakonsepti perustuu maadoitettuun verkkoon, joka on aina oltava saatavilla valtuutetun sähköasentajan suorittaessa asennusta.

8.1 Asennusalueetta koskevat vaatimukset

Valittaessa Webasto Pure:n asennuspaikkaa on huomioitava seuraavat seikat:

- Asennuksen yhteydessä mukana toimitetun asennusmallineen alareunan ja lattian välinen vähimmäisetäisyys 90 cm on huomioitava. (Katso Kuva 14).

- Jos vierekkäin asennetaan useampia latausasemia, yksittäisten asemien välisen etäisyyden toisistaan on oltava vähintään 200 mm.
- Asennuspinnan on oltava massiivinen ja vakaa.
- Asennuspinnan on oltava täysin tasainen (enint. 1 mm:n ero yksittäisten kiinnityspisteiden välillä).
- Asennuspinta ei saa sisältää helposti syttyviä aineita.
- Mahdollisimman lyhyt johdon kulkureitti latausasemasta ajoneuvon.
- Ei riskiä, että latausjohdon yli voidaan ajaa.
- Mahdolliset infrastruktuurin sähköliitännät.
- Kävely- ja pelastusteitä ei saa tukkia.
- Optimaalista ja häiriötöntä käyttöä varten suosittelemme, ettei asennuspaikka ole suorassa auringonpaisteessa.
- Ajoneuvon pysäköintisijainnissa on huomioitava ajoneuvon latauspisteen sijainti.
- Paikallisten rakennus- ja palosuojamääräysten huomioiminen.

OHJE

Asennusetäisyyden latausaseman alareunan ja lattian välillä on oltava vähintään 0,9 metriä.

8.2 Sähköliitäntän kriteerit

Tehtaalla asetettu enimmäislatausvirta on ilmoitettu latausaseman tyyppikilvessä. DIP-kytkimellä suurin latausvirta voidaan mukauttaa asennetun sulakkeen arvoon.

OHJE

Valittujen suojalaitteiden virta-arvot eivät missään tapauksessa saa alittaa latausaseman tyyppikilvessä ilmoitettua tai DIP-kytkimellä asetettua virta-arvoa. Katso luku 8.6 DIP-kytkimen asetus.

Ennen liitännätöiden aloittamista sähköasentajan on tarkastettava latausaseman asennuksen edellytykset. Käyttömaasta riippuen on huomioitava viranomaisten ja sähköverkkojärjestäjien määräykset, esim. latausaseman asennuksen ilmoitusvelvollisuus.

OHJE

Joissakin maissa 1-vaiheinen lataus on rajoitettu määritettyyn virran voimakkuuteen. Huomioi paikalliset liitäntäedellytykset.

Seuraavien mainittujen suojalaitteiden on oltava sellaisia, että latausasema voidaan virhetilanteessa irtikytkä täysin. Valittaessa suojalaitteita on sovellettava kansallisia asennusmääräyksiä ja -standardeja.

8.2.1 Vikavirtasuojakytkinten mitat

Pääsääntöisesti voimassa ovat kansalliset asennusmääräykset. Jos näissä ei toisin määrätä, jokainen latausasema on suojattava soveltuvalta vikavirtasuojalaitteella (RCD, tyyppi A), jonka laukaisuvirta on ≤ 30 mA.

8.2.2 Johdinsuojakytkimen mitat

Johdinsuojakytkimen (MCB) on vastattava standardia EN 60898. Läpikäyttöenergia (I^2t) ei saa ylittää arvoa 80 000 A²s.

Vaihtoehtoisesti voidaan käyttää vikavirta- ja johdinsuojakytkimen yhdistelmää (RCBO) standardin EN 61009-1 mukaan. Tätä suojakytkinyhdistelmää koskevat aikaisemmin mainitut nimelliskoot.

8.2.3 Päävirtakatkaisija

Latausasemassa ei ole omaa päävirtakatkaisijaa. Verkkoon asennetut suojalaitteet toimivat näin ollen myös verkkokatkaisijoina.

8.3 Asentaminen

Katso myös Luku 15, "Asennus" sivulla 113. Mukana toimitettu asennusmateriaali on tarkoitettu latausaseman asentamiseksi muuraukseen tai betoniseinään. Telineeseen asennusta varten tarvittava asennusmateriaali toimitetaan kunkin telineen mukana.

✓ Toimituksen sisällön täydellisyys on tarkastettava.

- ▶ Huomioi asennusasetto asennuspaikassa. Katso Kuva 14.

OHJE

Keskireikä on porattava!

- ▶ Irrota porausmallineet pakkauksesta.
- ▶ Merkitse porausmallineen avulla asennuspaikan neljä porattavaa kohtaa. Katso Kuva 14.
- ▶ Poraa 4 halkaisijaltaan 8 mm:n reikää merkittyihin kohtiin.
- ▶ Aseta pidike 2 vaarnan ja 2 ruuvin, 6 x 70mm, T25 avulla ylempien reikien kautta paikoilleen ja kiinnitä.
- ▶ Poista alempi suojuus latausaseman liitäntäalueelta.

Kuva 8

- ▶ Poista spiraalitaiteusuoja latausaseman liitäntäalueelta ja laita se muiden mukana toimitettujen materiaalien luo.
- ▶ Pinta-asennuksen kohdalla muodosta syvennys syöttöjohdon asennusta varten latausaseman takapuolelle tätä varten tarkoitettujen murtumispisteiden kautta (tarvittaessa hio murtuneet reunat pyöröviilan avulla).
- ▶ Vie syöttöjohto sitä varten tarkoitetun aukon kautta ja aseta latausasema jo asennettuun pidikkeeseen.
- ▶ Asenna latausasema 2 ruuvilla, 6 x 90 mm, T25, kiinnitysreikien kautta alemmalle liitäntäalueelle. Enimmäiskiristysmomenttia 6 Nm ei saa ylittää.

8.3.1 Latausjohdon liittäminen

- ▶ Työnnä spiraalitaiteusuoja kiertetön aukko edellä mukana toimitetun latausjohdon ympärille.
- ▶ Vie latausjohto aikaisemmin esiasennetun tiivistekiristimen läpi.

OHJE

Huomioi esiasennetun tiivistekumin oikea asento tiivistekiristimessä.

- ▶ Työnnä latausjohto ulos väh. 10 mm vedonpoistojohdon kiristysalueen yläreunan yli.
- ▶ Käännä taiteusuojaspiraalia muutaman kierroksen verran tiivistekiristimessä.

OHJE

Älä vielä kierrä kokonaan kiinni.

Kuva 9

- ▶ Ruuvaa mukana toimitettu vedonpoistojohto oikeaan asentoon latausjohtoon.

OHJE

Vedonpoistojohdossa on kaksi mahdollista asentoa latausjohtoversioille 11 kW ja 22 kW. Varmista, että merkintä "11 kW installed" 11 kW:n latausjohdon kohdalla osoittaa alaspäin eikä ole näkyvässä.

- ▶ Asenna vedonpoistojohto oikeaan asennusasentoon mukana toimitetulla, itse kierteen poraavilla torx-ruuveilla (6,5 x 25 mm) ja kiristä 5,5 Nm:n kiristysmomentilla. (Huomautus: älä ylikiristä ruuveja.)
- ▶ Vedonpoistojohdon on oltava vaaka-asennossa kiinni ruuvattuna.

OHJE

Suorita latausjohdon vetotarkastus varmistuaksesi, ettei latausjohto enää liiku.

- ▶ Ruuvaa nyt taiteusuojaspiraali 4 Nm:n tiukkuuteen tiivistekiristimeen.
- ▶ Liitä talttapäistä ruuvimeisseliä (3,5 mm) apunasi käyttäen yksittäiset johdonpäät kuvassa annettujen tietojen mukaan oikeanpuoleiseen riviliittimeen, jossa on merkintä "OUT".
- ▶ Pistä tätä varten ruuvimeisseliä sitä varten tarkoitettuun riviliittimen jousivoiman vapauttajan yläaukkoon ja avaa pitojousi.
- ▶ Laita nyt yksittäiset johdot niitä varten tarkoitettuihin riviliittimen liitäntäaukkoihin (ala-aukot).

Latausjohto	Kuvaus
Sininen	N
Ruskea	L1
Musta	L2
Harmaa	L3
Keltavihreä	PE
Mustavalkoinen	Ohjausjohto (CP)

- ▶ Vedä tämän jälkeen ruuvimeisseli jälleen ulos ja varmista vetotarkastuksen avulla, että yksittäiset johdot ovat kunnolla oikeilla paikoillaan.
- ▶ Liitä mustavalkoinen ohjausjohto (CP) liittimeen (alín kosketin A). Katso Kuva 2.

OHJE

- ▶ Paina valkoinen jousikosketin liittännän oikealla puolella alaspäin samalla kun viet ohjausjohdon kokonaan sisään.
- ▶ Varmista vetotarkastuksen avulla, että johto on oikein paikoillaan ja kunnolla kiinnitetty.

8.4 Sähköliitäntä

- ▶ Tarkasta ja varmista, että syöttöjohto on jännitteetön ja ryhdy soveltuviin toimenpiteisiin jännitteen uudelleen päälle kytkemisen estämiseksi.
- ▶ Tarkasta, että kaikkia liitäntää koskevia ja tässä oppaassa aiemmin mainittuja määräyksiä noudatetaan.
- ▶ Ota mukana toimitetun materiaalin joukosta johdon läpivientiholkit.
- ▶ Työnnä johdon läpivientiholkit syöttöjohdon yli.

OHJE

- ▶ Varmista, että holkin sisäänventiivustin on asennetussa loppupitilässä latausaseman takapuolella mutta älä kuitenkaan vielä laita sitä kotelon aukkoon.
- ▶ Poista syöttöjohdon vaippa.
- ▶ Jos käytetään jäykkää syöttöjohtoa, taita yksittäiset johdot vähimmäistaiteusasteet huomioiden niin, että liitäntään ei kohdistu suurta mekaanista kuormitusta.
- ▶ Poista yksittäisten johtojen eristys kuvaesityksen mukaan. (Ohje: vältä kuparijohtimen vaurioita).

Kuva 10

- ▶ Liitä talttapäistä ruuvimeisseliä (3,5 mm) apunasi käyttäen yksittäiset johdonpäät kuvassa annettujen tietojen mukaan vasemmanpuoleiseen riviliittimeen, jossa on merkintä "Power In".

OHJE

Huomioi liittännän yhteydessä oikeanpuoleisen kääntökentän oikea liitäntäjärjestys.

- Pistä tätä varten ruuvimeisseli sitä varten tarkoitettuun riviliittimen jousivoiman vapauttajan yläaukkoon ja avaa pitojousi.
- Laita nyt yksittäiset johdot niitä varten tarkoitettuihin riviliittimen liitäntäaukkoihin (ala-aukot).
- Vedä tämän jälkeen ruuvimeisseli jälleen ulos ja varmista vetotarkastuksen avulla, että yksittäiset johdot ovat kunnolla oikeilla paikoillaan eikä näkyvissä ole avoimia kuparijohtimia.

OHJE

Jos yhteiseen pääenergiansyöttöpisteeseen on liitetty useampia latausasemia: ylikuormituksen riski.

► Vaiherotaatio on mahdollistettava ja mukautettava latausaseman liitäntäkokoontaan. Katso online-kokoontapano-ohje: <https://webasto-charging.com/documentation>.

- Liitä datajohto tätä varten tarkoitettuun liitäntään liitäntäalueella. Katso Luku 3.1, "Ohjausjohto (Control Pilot)" sivulla 107 ja Kuva 2
- Puhdista liitäntäalueelta mahdolliset epäpuhtaudet, kuten eristysjänteet.
- Tarkasta uudelleen, että kaikki johdot ovat kunnolla liitettynä vastaaviin liittimiin.
- Laita nyt johdon läpivientiholki kotolon läpivientiin.

OHJE

Varmista, ettei kotolon ja johdon läpivientiholkin välille kerääntynyt ilmaa.

8.4.1 Sähköliitäntä jaetussa verkossa (jaettu vaihe)

Liitäntäkokoontapano:

Verkkajohto	Liitinlohko
L1	L1
L2	Neutraali

DIP-kytkimen kokoontapano: D6 = 0

OHJE

Tällä liitäntäkokoontapanolla ei ole määritetty epätasaisen kuorman rajoitusta.

8.5 Vaikutusteho-ohjaus

Katso Kuva 2

Vaikutusteho-ohjaus VDE AR-4100:n mukaisen direktiivin mukaan pitäisi liittää seuraavasti. Molemmat johdot etäohjainvastaanottimesta – järjestyksellä ei tässä kohtaa ole merkitystä – pitäisi viedä tähän pistokkeeseen (kohdat 3 & 4) (johdon enimmäishalkaisija 1,5 mm²).

8.6 DIP-kytkimen asetus

VAARA

Korkeita jännitteitä.

► Tappavan sähköiskun vaara.

► Varmista jännitteettömyys.

Latausaseman virta-asetukset konfiguroidaan DIP-kytkimillä.

Kuva 11

DIP-kytkin ylhäällä/ON = 1

DIP-kytkin alhaalla/OFF = 0

DIP-kytkimen tehdasasetus: 000111

OHJE

DIP-kytkimen asetuksiin tehdyt muutokset tulevat voimaan vasta latausaseman uuden käynnistyksen jälkeen.

DIP-kytkimet on ohjelmoitava niin, että seuraavaksi esitetty lähtöteho 1- ja 3-vaiheiselle latauskäytölle voidaan asettaa haluttuun virran voimakkuuteen (D1 - D6).

D1	D2	D3	[A]	Kuvaus
0	0	0	8	Tila toimituksen hetkellä
0	0	1	10	
0	1	0	13	
0	1	1	16	
1	0	0	20	
1	0	1	25	
1	1	0	32	

D1	D2	D3	[A]	Kuvaus
1	1	1	0	Esittelytila: lataus ei mahdollista

D4 0= ei epätasaisen kuorman rajoitusta 1-vaiheisessa latauksessa, 1= epätasaisen kuorman rajoitus 16 A:han ja D1-D3 > 20 A (CH ja AT).

D5 0= ei epätasaisen kuorman rajoitusta 1-vaiheisessa latauksessa, 1= epätasaisen kuorman rajoitus 20 A:han ja D1-D3 > 25 A (DE).

D6 1= TN/TT-verkko, 0= IT-verkko (vain 1-vaiheinen verkkoliitäntä mahdollinen). Katso Luku 8.4.1, "Sähköliitäntä jaetussa verkossa (jaettu vaihe)" sivulla 111

FI

8.7 Ensikäyttöönotto

8.7.1 Turvatarkistus

Dokumentoi ensikäyttöönotton testi- ja mittaustulokset voimassa olevien asennusmääräysten ja normien mukaisesti.

Voimassa ovat paikalliset, käyttöä, asennusta ja ympäristöä koskevat määräykset.

8.7.2 Käyttöönotto

- Irrota materiaali jäänteet liitäntäalueelta.
- Tarkista ennen käynnistystä kaikkien ruuviliitosten ja liitinliitosten tiukkuus.
- Asenna alasuojus.
- Kiinnitä alempi suojuus asennusruuveilla; kiristä asennusruuvit varovasti vasteeseen saakka. Katso Kuva 8.
- Kytke verkkojännite päälle.
 - Käynnistyssekvenssi aktivoituu (kestää enint. 60 sekuntia).
 - Valkoinen juokseva valo kulkee ylös/alas. Katso Kuva 4 käyttötila N2.
- Vapauta tarvittaessa latausasema avainkatkaisimella.

- ▶ Suorita ensikäyttöönnoton tarkistus ja huomioi testiprotokollan mittausarvot. Mittauspisteenä on latauskytkin ja mittausapuvälineenä EV-simulaattori.
- ▶ Simuloi EV-simulaattorilla yksittäiset käyttö- ja suojatoiminnot ja testaa ne.
- ▶ Liitä latausjohto ajoneuvoon.
 - LED-valo muuttuu vihreästä sykkiväksi siniseksi.

9 Asetukset

OHJE

Seuraavissa kuvauksissa annetuilla aika-arvoilla on tärkeä merkitys. Lue siksi kaikki vaiheet ennen aloittamista.

9.1 LED-näytön himmentäminen

Kuva 12

Katso myös Avainkatkaisin.

- ✓ Latausasema käynnistyy.
 - ✓ LED-näyttö palaa jatkuvasti vihreänä.
 - ✓ Avainkatkaisin ON-asennossa.
 - ✓ Ajoneuvoa ei ole liitetty.
 - ▶ Siirrä avainkatkaisin asennosta ON asentoon OFF, vihreä juokseva valo alkaa kulkunsa alhaalta, odota, kunnes valo on jälleen palannut alas.
 - ▶ Käännä avainkatkaisin asennosta OFF asentoon ON (enint. 3 sekunnin sisällä asentoon ON)
 - Himmennystila avautuu
- LED muuttuu siniseksi ja himmenee useammassa vaiheessa 3 sekunnin aikana kirkkaimmasta himmeimmäksi. Alhaisimman kirkkaustason jälkeen LED hypää jälleen kirkkaimpaan asetukseen. Kirkkausasetukset käydään läpi viisi kertaa.

- ▶ Siirrä avainkatkaisin asennosta ON asentoon OFF

- ✓ Himmennystaso valitaan.

OHJE

Toimitushetkellä LED on asetettu enimmäiskirkkauteen.

OHJE

Virhevärisävyyden kirkkautta ei voida muuttaa.

10 Tuotteen poistaminen käytöstä

Vain sähköasentaja saa suorittaa tuotteen poistamisen käytöstä.

- ▶ Irtikytketty verkkovirransyöttö.
- ▶ Latausaseman sähköosien purkaminen.
- ▶ Hävittäminen: katso Luku 13, "Hävittäminen" sivulla 112.

11 Huolto, puhdistus ja korjaus

11.1 Huolto

Vain sähköasentaja saa suorittaa huollon paikallisten määräysten mukaisesti.

11.2 Puhdistus

VAARA

Korkeita jännitteitä.

- Tappavan sähköiskun vaara. Latausasemaa ei saa pestä painepesurilla tai muulla vastaavalla laitteella.
- ▶ Pyyhi laite vain kuivalla liinalla. Älä käytä voimakkaita puhdistusaineita, vahaa tai liuotainaineita.

11.3 Korjaus

Omaavalliset latausaseman korjaustyöt ovat kiellettyjä. Webasto Thermo & Comfort SE pidättää oikeuden ainoana tahona latausaseman korjaustöiden suorittamiseen. Ainoa sallittu korjaus on sähköasentajan suorittama korjaus Webaston tarjoamia alkuperäisiä varaosia käyttäen.

12 Latausjohdon vaihtaminen

VAARA

- Tappavan sähköiskun vaara.
 - ▶ Sammuta sähkövirran syöttö latausasemaan ja varmista, ettei sitä voida kytkeä uudelleen päälle.

OHJE

Ainoastaan aitojen Webasto-osien käyttö on sallittua.

OHJE

Webasto Puren käyttöä aikana latausjohdon saa vaihtaa korkeintaan neljä kertaa.

OHJE

Osanumerot on nähtävissä Webasto Online Shopissa: www.webasto-charging.com

Latausjohtoa vaihdettaessa on noudatettava korjaussarjan mukana toimitettua asennusohjetta.

13 Hävittäminen



Jäteastia, jonka päällä on rasti, tarkoittaa, että sähkö- ja elektroniikkalaitteita ei saa niiden käyttöänsä päätyttyä hävittää kotitalousjätteen mukana. Lähelläsi on maksuttomia keräyspisteitä, joihin voit jättää vanhat sähkö- ja elektroniikkalaitteesi. Keräyspisteiden osoitteet on saatavissa kaupunkisi tai kuntasi viranomaisilta. Sähkö- ja elektroniikkalaitteiden erillinen keräys mahdollistaa vanhojen laitteiden uudelleenkäytön, materiaalien kierrätyksen tai muunlaisen kierrätyksen sekä ehkäisee hävittämisen kielteisiä vaikutuksia, koska laitteiden mahdollisesti sisältämät vaaralliset aineet eivät pääse ympäristöön eivätkä voi aiheuttaa riskiä henkilöiden terveydelle.

- ▶ Hävitä pakkaus voimassa olevien kansallisten määräysten mukaan kierrätyspisteissä.

14 Vaatimustenmukaisuusvakuutus

Webasto Pure on kehitetty, tuotettu, tarkastettu ja toimitettu käyttöpaikassa voimassa olevien, määriteltyjen lakisäädösten mukaan.

Täydellinen EU-vaatimustenmukaisuusvakuutus on ladattavissa latausalueelta <https://webasto-charging.com/>.

15 Asennus

Kuva 13

Kuva 14

FI

16 Tekniset tiedot

Kuvaus	Tiedot
Verkköjännite [V]	230 / 400 AC
Nimellisvirta [A]	8A, 10A, 13A, 16A, 20A, 25A, 32A (1-vaiheinen, 3-vaiheinen), jakovaihe (L1+L2, ilman N:ää), arvossa 11 kW mahdollisia ovat versiot enint. 16A
Verkkotaajuus [Hz]	50
Verkko muodot	TT / TN (1- ja 3-vaiheinen) / IT (1-vaiheinen)
EMC-luokka	Häiriöiden lähetys: luokka B (asuin-, liike- kauppa-alueet) Häiriönsieto: teollisuusalueet
Ylijänniteluokka	III standardin EN 60664 mukaan
Suojaustaso	I
IP-kotelointiluokka	IP54
Suoja mekaanisia iskuja vastaan	IK08
Suojalaitteet	Tyypin A RCD-vikavirtasuojakytkin & johdonsuojakytkin. Katso luku 8 Asennus ja sähköliitäntä.
Kiinnitystapa	Seinä- ja telineasennus (kiinteä asennus)
Johdon läpivienvi	Itsenäisesti asennettu tai sisäänrakennettu
Liitännän halkaisija	Vakioasennuksen suositeltu vähimmäishalkaisija - johdosta ja asennustavasta riippuen: 6 mm ² (virralle 16 A) 10 mm ² (virralle 32 A)
Latausjohto ja latausliitin	Tyyppi 2 standardien EN 62196-1 ja EN 62196-2 mukaan
Verkkoliitin	Liitäntäjohto: – jäykkä (min.-maks.) 2,5 - 10 mm ² – joustava (min.-maks.) 2,5 - 10 mm ² – joustava (min.-maks.) johtimen päätyholkin kanssa: 2,5 - 10 mm ²
Lähtöjännite [V]	230 / 400 AC
Suurin latausteho [kW]	11 kW tai 22 kW (tehdaskonfiguroinnista riippuen)
Ympäristön lämpötila [°C]	-30 ... +55 (suojattuna suoralta auringonpaisteelta)
Varastointilämpötila [°C]	-30 ... +80
Näyttö	LED-elementti
Lukitus	Avainkattokaisiin latauksen aktivointiin
Korkeus [m]	Enint. 3000 m merenpinnan yläpuolella
Sallittu suhteellinen ilmankosteus [%]	5 ... 95, ei kondensoituvia
Paino [kg]	11 kW 4,5 m: 4,6 kg 7 m: 5,3 kg

FI

Kuvaus	Tiedot
	22 kW 4,5 m; 5,7 kg 7 m: 6,8 kg
Mitat [mm]	Katso kuvat kohdassa Asennus

FI

17 Tarkastusluettelo Webasto-latausaseman asennukseen

Latausasema	Webasto Pure	
Latausteho	11 kW <input type="checkbox"/>	22 kW <input type="checkbox"/>
Sarjanumero		
Materiaalinumero		
Yleistä:		koskee/ suor.
Latausaseman asennuksen, sähköliitännän ja käyttöönoton saa suorittaa vain sähköasentaja.		<input type="checkbox"/>
Käyttöpaikan olosuhteet:		
Latausasemaa ei ole asennettu räjähdysalttiiseen ympäristöön.		<input type="checkbox"/>
Latausasema on asennettu sellaiseen paikkaan, jossa putoavat esineet eivät pääse vaurioittamaan sitä.		<input type="checkbox"/>
Suosittelemme latausaseman asentamista auringonpaisteelta suojattuun paikkaan.		<input type="checkbox"/>
Latausaseman käyttöpaikka on valittu niin, että voidaan välttää ajoneuvojen asemaan törmäykset ja näin aseman vaurioituminen.		<input type="checkbox"/>
Lakisääteiset vaatimukset sähköasennuksia, tulipalosuojasta, turvallisuusmääräyksiä ja pelastusteitä koskien on otettu huomioon.		<input type="checkbox"/>
Latausjohto ja -pistoke on suojattu äärimmäisiltä lämmönlähteiltä, vedetä, lialta ja kemikaaleilta.		<input type="checkbox"/>
Latausjohto ja -pistoke on suojattu niiden yli ajamiselta, puristumiselta ja muilta mekaanisilta vaaroilta.		<input type="checkbox"/>
Asiakkaalle/käyttäjälle on selitetty, kuinka Webasto Pure kytketään jännitteettömäksi asennuspaikan suojalaitteiden avulla.		<input type="checkbox"/>
Latausasemaa koskevat vaatimukset:		
Asennuksen yhteydessä kiinnitetään johtoholkki verkkokaapelille ja signaaliakaapelille.		<input type="checkbox"/>
Latausjohdon taittumissuoja on ruuvattu latausasemaan ja taittumissuojan tiivistekumi on oikein paikoillaan.		<input type="checkbox"/>
Asennuksen aikana latausasemaan on liitetty oikea latausjohto (11 kW tai 22 kW) (tyyppikilven mukaan). Latausjohdon vedonpoiston varmistamiseksi on asennettu vedonpoistoliiitin. Ilmoitettuja kiristysmomenteja on noudatettu. Latausjohto on liitetty ohjeiden mukaisesti.		<input type="checkbox"/>
Ennen suojuksen sulkemista työkalut ja asennusjäänteet on poistettu latausasemasta.		<input type="checkbox"/>
Käyttöönoton yhteydessä on laadittava paikallisesti voimassa oleva testiprotokolla, jonka kopio luovutetaan asiakkaalle.		<input type="checkbox"/>
Asiakas/toimeksiantaja:		
Paikka:	Allekirjoitus:	
Päiväys:		
Sähköasentaja/urakoitsija:		
Paikka:	Allekirjoitus:	
Päiväys:		

FI

Innehållsförteckning

1	Allmänt.....	311			
1.1	Målet med detta dokument.....	311	8.7	Första användning.....	317
1.2	Hur du använder detta dokument.....	311	9	Inställningar.....	318
1.3	Ändamålsenlig användning.....	311	9.1	Dimma LED-indikeringen.....	318
1.4	Användning av symboler och markerad text.....	311	10	Ta produkten ur drift.....	318
1.5	Garanti och ansvar.....	311	11	Underhåll, rengöring och reparation.....	318
2	Säkerhet.....	311	11.1	Underhåll.....	318
2.1	Allmänt.....	311	11.2	Rengöring.....	318
2.2	Allmänna säkerhetsanvisningar.....	311	11.3	Reparation.....	318
2.3	Säkerhetsanvisningar för installationen.....	312	12	Byte av laddningskabel.....	318
2.4	Säkerhetsanvisningar för elanslutningen.....	312	13	Avfallshantering.....	318
2.5	Säkerhetsanvisningar för idrifttagningen.....	312	14	Försäkran om överensstämmelse.....	318
3	Beskrivning av utrustningen.....	313	15	Montering.....	318
3.1	Styrkabel (Control Pilot).....	313	16	Tekniska data.....	319
4	Användning.....	313	17	Checklista för installation av Webastos laddbox.....	321
4.1	Översikt.....	313			
4.2	LED-indikeringar.....	313			
4.3	Låsnyckelbrytare.....	313			
4.4	Börja ladda.....	314			
4.5	Avsluta laddning.....	314			
5	Transport och lagring.....	314			
6	Leveransens innehåll.....	314			
7	Nödvändiga verktyg.....	314			
8	Installation och elanslutning.....	314			
8.1	Krav på installationsområdet.....	315			
8.2	Kriterier för elanslutningen.....	315			
8.3	Installation.....	315			
8.4	Elanslutningen.....	316			
8.5	Styrning av aktiv effekt.....	317			
8.6	Inställning av DIP-brytaren.....	317			

1 Allmänt

1.1 Målet med detta dokument

Den här bruks- och installationsanvisningen är en del av produkten och här hittar man information för användaren om säker användning och för behöriga elektriker om säker installation av Webasto Pure laddboxen.

1.2 Hur du använder detta dokument

- ▶ Läs igenom bruks- och installationsanvisningen innan du installerar eller tar Webasto Pure i drift.
- ▶ Förvara denna bruksanvisning så att du alltid har den till hands.
- ▶ Lämna vidare bruksanvisningen om laddboxen byter ägare eller användare.

HÄNVISNING

Vi hänvisar till att installatören ska skapa ett installationsprotokoll för en sakkunnig installation. Dessutom ber vi dig att fylla i vårt Checklista för installation av Webastos laddbox.

HÄNVISNING

Personer med defekt färgseende behöver hjälp vid identifiering av alla felindikeringar.

1.3 Ändamålsenlig användning

Webasto Pure-laddboxen är avsedd för laddning av el- och hybridbilar enligt IEC 61851-1, laddningsläge 3. I detta laddningsläge garanterar laddboxen följande:

- spänningen inte slås på förrän fordonet är korrekt anslutet.
- strömstyrkan har jämnats ut.

1.4 Användning av symboler och markerad text

FARA

Signalordet betecknar en fara med hög risk, som om den inte förhindras leder till dödsfall eller allvarliga personskador.

VARNING

Signalordet betecknar en fara med medelhög risk, som om den inte förhindras kan orsaka lindriga eller mätliga personskador.

HÄNVISNING

Signalordet betecknar en särskild teknisk egenskap eller (om den inte beaktas) en möjlig skada på produkten.

- ✓ Förutsättning för följande åtgärd
- ▶ Åtgärd

VAR FÖRSIKTIG

Signalordet betecknar en fara på låg risknivå, som, såvida den inte förhindras, kan orsaka lindriga eller mätliga kroppsskador.

1.5 Garanti och ansvar

Webasto tar inget ansvar för brister och skador som uppstått på grund av att monterings- och bruksanvisningar inte har beaktats. I synnerhet kan man inte göra anspråk på garantin vid:

- Osakkunnig användning
- Reparationer som har utförts av en behörig elektriker och inte anlitats av Webasto
- Användning av andra delar än originaldelar.
- Ombyggnad av enheten utan överenskommelse med Webasto
- Installation och idrifttagning av obehörig personal (icke certifierade elektriker).
- Felaktigt genomförd kassering efter urdrifttagning

2 Säkerhet

2.1 Allmänt

Laddboxen har utveckats, tillverkats, provats och dokumenterats enligt tillämpliga säkerhetsbestämmelser och miljöföreskrifter. Använd endast utrustningen när den är i felfritt skick.

En elektriker måste genast åtgärda fel som har negativ inverkan på personers eller utrustningens säkerhet enligt nationella gällande bestämmelser.

HÄNVISNING

Det kan hända att varningssymbolerna i fordonet skiljer sig från vad som beskrivs i den här anvisningen. Därför måste alltid respektive fordonstillverkarens bruksanvisning läsas och alltid följas.

2.2 Allmänna säkerhetsanvisningar



- Farliga höga invändiga spänningar.
- Laddboxen har ingen egen strömbrytare. De skyddsanordningar som har installerats på nätsidan används följaktligen även för att bryta nätförsörjningen.
- Kontrollera före användningen att laddboxen inte har några visuella skador. Använd inte laddboxen om den uppvisar skador.
- Installationen, elanslutningen och driftsättningen av laddboxen får endast utföras av en certifierad elektriker.
- Ta inte bort skyddet över installationsområdet under drift.
- Ta inte bort märkningar, varningssymboler eller fabrikskylten från laddboxen.
- Det är endast tillåtet för en elektriker att enligt anvisning byta ut laddningskabeln.
- Det är totalt förbjudet att ansluta andra enheter till laddboxen.
- När man inte använder laddningskabeln ska man förvara den i den avsedda hållaren och låsa fast laddningskopplingen i laddboxen. Vira laddningskabeln löst kring huset så att den inte kommer i kontakt med underlaget.
- Kontrollera att laddningskabeln och laddningskopplingen är skyddade så att de inte körs över, kläms fast eller utsätts för några andra mekaniska risker.
- Kontakta genast service om laddboxen, laddningskabeln eller laddningskopplingen skulle vara skadad. Fortsätt inte att använda laddboxen.
- Skydda laddningskabeln och laddningskopplingen så att ingendera kommer i kontakt med externa värmekällor, vatten, smuts eller kemikalier.

- I servicesyfte beräknar laddboxen Webasto Live laddningskopplingens anslutningscykler, och genererar efter 10 000 anslutningscykler ett meddelande i webbkontrollpanelen om att en certifierad elektriker bör kontrollera att laddningskopplingens stickkontakter inte är slitna. Vid förekomst av slitage måste den berörda laddningskabeln bytas ut mot Webastos originalreservdelar av en certifierad elektriker.
- Förläng inte laddningskabeln med hjälp av en förlängningskabel eller adapter för att ansluta till fordonet.
- Dra endast ut laddningskabeln i laddningskopplingen.
- Rengör aldrig laddboxen med en högtryckstvätt eller någon liknande maskin.
- Bryt den elektriska spänningsförsörjningen för att rengöra laddningsstickpropparna.
- Vid användningen får inte laddningskabeln vara utsatt för någon dragbelastning.
- Säkerställ att de personer som har åtkomst till laddboxen har läst den här bruksanvisningen.

VARNING

- Förvara laddkabeln i avsedd hållare och lås laddningskopplaren i anslutningsdockan. Vira laddkabeln löst runt anslutningsdockan och se till att kabeln inte vidrör golvet.
- Du måste förvissa dig om att laddkabeln och laddningskopplaren inte kan köras över eller snärjas in och att de är skyddade mot alla andra faror.

2.3 Säkerhetsanvisningar för installationen



- Beakta lokala rättsliga krav på elinstallationer, brandskydd, säkerhetsbestämmelser och nödutgångar vid den avsedda installationsplatsen.
- Använd endast det medföljande monteringsmaterialet.
- Vidta fackmannamässiga åtgärder för ESD-skydd för att förhindra elektrostatiska urladdningar när enheten är öppenad.

- Vid hantering av kretskort som kan orsaka elektrostatiska urladdningar skall antistatiska armband användas och fackmannamässiga åtgärder för ESD-skydd ska vidtas. Armbanden får endast bäras för montering och anslutning av laddningsenheten. Armbanden får aldrig bäras vid hantering av spänningsförande Webasto Pure.
- Vid installation av Webasto Pure måste elektrikern vara fackmannamässigt jordad.
- Webasto Pure får inte installeras i ett explosionsfarligt område (EX-zon).
- Webasto Pure ska installeras så att laddningskabeln inte blockerar eller utgör hinder i en passage.
- Installera inte Webasto Pure i omgivningar där det finns ammoniak eller luft som är uppblandad med ammoniak.
- Installera inte Webasto Pure på en plats där den kan skadas på grund av nedfallande föremål.
- Webasto Pure är avsedd för både inomhus- och utomhusbruk.
- Installera inte Webasto Pure i närheten av vattenspridningssystem, t.ex. biltvättar, högtryckstvättar eller trädgårdsslangar.
- Skydda Webasto Pure för skador genom frost, hagel eller liknande. Vi hänvisar här till vår IP-kapslingsklass (IP54).
- Webasto Pure är avsedd för områden utan begränsad åtkomst.
- Skydda denna Webasto Pure mot direkt solstrålning. Vid höga temperaturer kan det hända att laddningsströmmen reduceras eller att laddningen avbryts. Drifttemperaturen är -30 °C till +55 °C.
- Installationsplatsen för Webasto Pure ska väljas så att en oavsiktlig kollision med fordon kan uteslutas. Om det inte är möjligt att utesluta skador måste man vidta säkerhetsåtgärder.
- Ta inte Webasto Pure i drift om den har skadats under installationen; då måste enheten bytas ut.

2.4 Säkerhetsanvisningar för elanslutningen



VARNING

- Beakta nationella krav på elinstallationer, brandskydd, säkerhetsbestämmelser och nödutgångar vid den avsedda installationsplatsen. Beakta de olika tillämpliga nationella installationsföreskrifterna.
- Laddboxar måste alltid skyddas med en egen dvärgbrytare och jordfelsbrytare i anslutningsinstallationen. Se krav på installationsplatsen.
- Innan man kopplar in el till laddboxen ska man kontrollera att elanslutningarna är spänningsfria.
- Anslut inte något fordon till laddboxen under uppstartningstiden på laddboxen.
- Kontrollera att det används rätt anslutningskabel för den elektriska nätanlutningen.
- Lämna inte laddboxen obevakad med öppen installationskåpa.
- Ändra endast DIP-brytarens inställning när utrustningen är avstängd.
- Beakta eventuella meddelanden från elnätoperatören.

2.5 Säkerhetsanvisningar för idrifttagningen



VARNING

- Laddboxen får endast tas i drift av en elektriker.
- Före driftsättningen måste den certifierade elektrikern kontrollera att laddboxen är korrekt ansluten.
- Kontrollera om laddningskabeln, laddningskopplingen eller laddboxen uppvisar platser med visuella skador eller skador första uppstarten av laddboxen. Det är inte tillåtet att ta en skadad laddbox eller en laddbox med en skadad laddningskabel/laddningskoppling i drift.

3 Beskrivning av utrustningen

Bild 1

Den laddbox som beskrivs i den här bruks- och installationsanvisningen är en Webasto Pure. Den exakta beskrivningen för utrustningen enligt materialnumret, som består av ett sju-siffrigt nummer och en bokstav, hittar man på laddboxens fabriksskylt.

3.1 Styrkabel (Control Pilot)

Bild 2

I laddningskabeln finns det, förutom elkablarna även en datakabel med som benämns CP (Control Pilot)-kabel. Den här kabeln (svart – vit) sätts in i push-in-plinten vid anslutningen CP. Detta gäller vid montering av original-laddningskabeln samt vid byte av laddningskabeln.

4 Användning

4.1 Översikt

Bild 3

Förklaring

- | | |
|------------------------------|------------------------------------------------------|
| 1 LED-indikering | 4 Låsnyckelbrytare, går att komma åt från undersidan |
| 2 Hållare för laddningskabel | 5 Installationsskydd |
| 3 Laddkopplingens fäste | |

4.2 LED-indikeringar

4.2.1 LED-driftsindikering

Bild 4


Driftsindikering	Beskrivning
N1	Lysdioden lyser inte: Laddboxen är frånslagen.
N2	Vitt löpljus åker upp/ner: Laddboxen startar.

Driftsindikering	Beskrivning
N3	LED lyser konstant grönt: Laddboxen är i standby.
N4	LED pulserar blått: Laddboxen används, fordonet laddas.
N5	Blått löpljus åker upp/ner: Laddboxen är ansluten på fordonet, laddningen har avbrutits.
N6	Grönt löpljus åker upp/ner: Laddboxen används men är låst via låsnyckelbrytaren.
N7	Orangefärgat löpljus åker upp/ner: Laddningen avbruten av nätoperatören.

4.2.2 LED-felindikering

Bild 5

Felindikering	Beskrivning
F1	LED lyser grönt, gult ljus pulserar: Laddboxen är mycket varm och laddar fordonet med reducerad effekt. Efter en avslagningsfas börjar laddboxen att ladda som vanligt igen.
F2	Lysdioden lyser genomgående gult och det hörs en ljudsignal under 0,5 sek: Övertemperatur. Efter en avslagningsfas börjar laddboxen att ladda som vanligt igen.
F3	Lysdioden lyser grönt, rött ljus pulserar och det hörs en ljudsignal i 0,5 sek: Det har uppstått ett kontaktfel i laddboxen, fasövervakningen är på, laddboxen laddar med reducerad effekt. ► Fasföljds kontroll av en certifierad elektriker. Förutsättning höger fasföljd.

Felindikering	Beskrivning
F4	Lysdioden pulserar rött en gång varannan sek under en sek och det hörs en ljudsignal under 0,5 sek. Därefter med paus i en sekund och en ljudsignal under 5 sek: Det har uppstått ett fel med fordonet. ► Anslut fordonet igen
F5	LED pulserar rött under 0,5 sek med 0,5 sekunders och 3 sekunders mellanrum: Det hörs en ljudsignal i 0,5 sek: försörjningsspänningen är utanför det giltiga området på 180 V till 270 V. Se detaljer i kapitel 8.3, "Installation" på sidan 315 ► Kontroll av en certifierad elektriker.
F6	LED lyser genomgående rött och det hörs en ljudsignal under 0,5 sek. Därefter med paus på 1 sek och en ljudsignal under 5 sek: Det är problem med spänningsövervakningen eller systemövervakningen.  Fara för dödlig elektrisk chock. Bryt den elektriska strömförsörjningen till laddboxen i installationen och säkerställ att den inte kan gå på av misstag. Dra först därefter bort laddningskabeln från fordonet. Ring Webasto Charging Hotline. Du hittar denna på vår internetsida www.webasto-charging.com .

4.3 Låsnyckelbrytare

Bild 6

Touch-Control-brytaren används för auktorisation och kan vridas 90°. Vrid medurs för att låsa upp laddboxen. Vrid moturs för att låsa laddboxen.

☞ HÄNVISNING

Det är möjligt att dra ut nyckeln i både lägena. Den spärrade laddboxen är inte frånkopplad, utan befinner sig bara i spärrat läge (ingen laddning möjlig).

4.4 Börja ladda

Bild 7

☛ HÄNVISNING

Ta alltid hänsyn till fordonskraven innan du börjar ladda ett fordon.

☛ HÄNVISNING

Parkera fordonet mot laddboxen så att laddningskabeln inte är spänd. Se Bild 7

Åtgärd	Beskrivning
► Anslut laddningskopplingen till fordonet.	Laddboxen genomför system- och anslutningstest. LED-listen som först lyser grönt börjar pulsera blått när laddningen startas. Om fordonet inte är klart för laddning (t.ex. eftersom batteriet är fullt), visas ett blått löpljus.

4.5 Avsluta laddning

Fordonet har avslutat laddningscykeln automatiskt:

Åtgärd	Beskrivning
► Läs upp fordonet vid behov.	LED: Blått löpljus. Fordonet är anslutet, laddar inte.
► Dra bort laddningskopplingen från fordonet.	
► Lås fast laddningskopplingen i laddboxens hållare.	

Om fordonet inte avslutar laddningen automatiskt:

Åtgärd	Beskrivning
► Ställ låsnyckelbrytaren i läget "Off".	Laddningscykeln avbryts. LED växlar till grönt löpljus. Driftstatus N6

Åtgärd	Beskrivning
☛ Eller	Laddningscykeln avbryts. LED växlar till blått löpljus. Driftstatus N5.

5 Transport och lagring

Observera temperaturområdet för lagring vid transporten. Se Tekniska data.
Genomför endast transporter i lämpliga förpackningar.

6 Leveransens innehåll

Leveransens innehåll	Mängd
Laddbox	1
Laddningskabel och laddningskoppling	1
Installationssats för väggfästet:	
– Vägglugg (8 x 50 mm, Fischer UX R 8)	4
– Skruv (6 x 70, T25)	2
– Skruv (6 x 90, T25)	2
– Bricka (12 x 6,4 mm, DIN 125-A2)	4
– Skruv (3 x 20 mm, T10) (2 reservskruvar)	2+2
– Vägghållare	1
– Kabelskyddsring (1 st som reservdel)	2
Installationssats för laddningskabel:	
– SpiralfORMAT skydd mot kabelknutar	1
– Buntband	1
– Dragavlastningsklämma	1
– Skruv (6,5 x 25 mm, T25) för att fästa dragavlastningsklämman	2
Bruks- och installationsanvisning	1
Nyckel	2

☛ HÄNVISNING

Den medföljande Fischer universalplugg UX R 8 är en plastplugg i högkvalitativ nylon. Universalpluggen spretar ut i massivt byggmaterial och bockas i ihåliga och platta byggmaterial för maximal hållkraft.

7 Nödvändiga verktyg

Beskrivning av verktyg	Mängd
Skruvmejsel 0,5 x 3,5 mm	1
Torxmejsel T x 25	1
Torxmejsel T x 10	1
Momentnyckel (området innefattar 5–6 Nm, för T x 25)	1
Momentnyckel (området innefattar 4–5 Nm, för skruvnyckel NV 29)	1
Borrmaskin med borrar 8 mm	1
Hammare	1
Måttband	1
Vattenpass	1
Avisoleringsverktyg	1
Mätverktyg för installationer	1
EV-simulator med visning av fasföljd	1
Rundfil	1
Kombinationstång	1

8 Installation och elanslutning

⚠ FARA

Beakta säkerhetsanvisningarna som det refereras till under kapitel 2, "Säkerhet" på sidan 311.

För åtkomst till vidare dokument, se följande alternativ:

- The Webasto Dealer Portal (<https://dealers.webasto.com>)
- The Webasto Service App
För att ladda ner applikationen från Apple App Store herunterzuladen, gå till <https://apps.apple.com/> eller skanna följande QR-kod.

För att ladda ner applikationen från Google Play Store, gå till <https://play.google.com/> eller skanna följande QR-kod.



För åtkomst till Webasto Service App och den tekniska online-dokumentationen från Webasto skannar du QR-koden eller streckkoden på din Webasto-produktförpackning. Vår bruksanvisning finns också på vår webbplats www.webasto-charging.com/default/documentation. Alla språk finns i nedladdningsportalen på vår webbplats.

HÄNVISNING

Säkerhetskonceptet Webasto Pure bygger på ett jordat nätverk som alltid måste installeras av en certifierad elektriker.

8.1 Krav på installationsområdet

De nedanstående punkterna måste beaktas vid val av installationsplats Webasto Pure:

- Vid installationen måste det finnas ett minsta avstånd på 90 cm mellan den medföljande monteringsmallens underkant och underlaget. (se Bild 14)
- När man behöver montera flera laddboxar bredvid varandra måste avståndet mellan de olika boxarna vara minst 200 mm.
- Monteringsunderlaget måste vara massivt och stabilt.
- Monteringsytan måste vara helt plan (max. 1 mm skillnad mellan de olika monteringspunkterna).
- Det får inte finnas något lättantändligt material i monteringsunderlaget.
- Kabeln mellan laddboxen och fordonet ska dras så att den blir så kort som möjligt.
- Ingen risk att laddningskabeln blir överkörd.
- Möjliga elanslutningar från infrastruktur.
- Utrymningsvägarna är inte blockerade.

- Vi rekommenderar en installationsplats som skyddar mot direkt solljus och regn för optimal och felfri drift.
- Fordonets vanliga parkeringsplats med hänsynstagande till fordonets laddningskontakt.
- Beaktande av lokala bygg- och brandskyddsföreskrifter.

HÄNVISNING

Monteringsavståndet mellan laddboxens nedersta kant och underlaget måste vara minst 0,9 m.

8.2 Kriterier för elanslutningen

Den maximala laddström som har parameterats i fabriken är angiven på laddboxens fabriksskylt. Med hjälp av DIP-brytare är det möjligt att anpassa den maximala laddningsströmmen till den inbyggda jordfelsbrytarens värde.

HÄNVISNING

De valda skyddsanordningarnas strömvärden får under inga omständigheter underskrida det värde som anges på laddboxens fabriksskylt eller som är inställt med DIP-brytaren.

Se kapitel 8.6 Inställning av DIP-brytaren.

Innan man påbörjar anslutningsarbetet ska man låta en certifierad elektriker kontrollera att man har de rätta förutsättningarna för installationen av laddboxen. Beroende på land ska man beakta gällande bestämmelser som har utfärdats av myndigheter och elnätsoperatörer, t.ex. anmälningsplikt för installation av en laddbox.

HÄNVISNING

I vissa länder är 1-fas laddning begränsat till en definierad strömstyrka. Beakta de lokala anslutningsvillkoren.

Gemensamt för de skyddsanordningar som beskrivs nedan är att de måste vara utformade på så sätt att laddboxens samtliga poler bortkopplas från elnätet vid fel. När man väljer skyddsanordningar ska man tillämpa de nationella installationsföreskrifterna och standarderna.

8.2.1 Jordfelsbrytarens dimensionering

Som huvudregel gäller de nationella installationsföreskrifterna. Om inget annat har fastställts, måste alla laddboxar skyddas med en lämplig jordfelsbrytare (RCD typ A) med en startström på ≤ 30 mA.

8.2.2 Dvärgbrytarens dimensionering

Dvärgbrytaren (MCB) måste uppfylla kraven för EN 60898. I²t-energin får inte överskrida 80 000 A²s. Som alternativ kan man även använda en kombination av jordfelsbrytare och dvärgbrytare (RCBO) enligt EN 61009-1. För denna jordfelsbrytarkombination gäller även de ovanstående parametrarna.

8.2.3 Frånkopplingsanordning

Laddboxen har ingen egen strömbrytare. De skyddsanordningar som har installerats på nätsidan används följaktligen även för bryta nätförsörjningen.

8.3 Installation

Se även kapitel 15, "Montering" på sidan 318. Det medföljande monteringsmaterialet är avsett att användas för installation av laddboxen i ett murverk eller en betongvägg. För installation på stativet ska man använda det monteringsmaterial som medföljer stativet.

- ✓ Det har kontrollerats att leveransen är fullständig.
- ▶ Beakta monteringspositionen på installationsplatsen. Se Bild 14.

HÄNVISNING

Hålet i mitten ska borras!

- ▶ Ta loss bormallen vid perforeringen ur förpackningen.
- ▶ Märk de fyra positionerna för borrhålen på installationsplatsen med hjälp av bormallen. Se Bild 14.
- ▶ Borra 4 borrhål med $\varnothing 8$ mm i de märkta positionerna.
- ▶ Positionera och montera hållare med 2 dyblar och 2 skruvar, 6 x 70 mm, T25 ovanför de övre borrhålens position.

- ▶ Ta av den nedre kåpan från laddboxens anslutningsområde.

Bild 8

- ▶ Ta bort det spiralformade böjningsskyddet från laddboxens anslutningsområde och lägg undan det tillsammans med det övriga medföljande materialet.
- ▶ Om man drar till-ledningen ovanpå underlaget, ska man skapa en ursparning så att man kan dra till-ledningen på laddboxens baksida över de möjliga brytpunkterna på sidan (grada ev. brottkanter med hjälp av en rundfil).
- ▶ Stick in till-ledningen genom den avsedda genomföringen och placera laddboxen på den färdigmonterade hållaren.
- ▶ Montera laddboxen med 2 skruvar, 6 x 90 mm, T25 över fästhålen i det undre anslutningsområdet. Max. vridmoment får inte överskrida 6 Nm.

8.3.1 Anslutning laddningskabel

- ▶ Skjut fram det spiralformade böjningsskyddet med den ögängade öppningen över den medföljande laddningskabeln.
- ▶ Led laddningskabeln genom den förmonterade tätningsklämman.

☞ HÄNVISNING

Kontrollera att det förmonterade tätningsgummit sitter korrekt i tätningsklämman.

- ▶ Skjut ut laddningskabeln minst 10 mm över överkanten på dragavlastningsklämmans klämmområde.
- ▶ Vrid det spiralformade böjningsskyddet några varv på tätningsklämman.

☞ HÄNVISNING

Vrid inte fast än.

Bild 9

- ▶ Skruva på den medföljande dragavlastningsklämman i korrekt läge på laddningskabeln.

☞ HÄNVISNING

För laddningskabelvarianterna 11 kW och 22 kW har dragavlastningsklämman två positionsalternativ. Kontrollera att texten "11 kW installed" visar nedåt och inte är synlig vid en 11 kW-laddningskabel.

- ▶ Montera dragavlastningsklämman i korrekt monteringsläge med de medföljande självgående torxskruvarna (6,5 x 25 mm) och dra åt med 5,5 Nm. (Observera: skruva inte åt skruvarna för hårt).

- ▶ Dragavlastningsklämman måste ligga plant i festskruvat skick.

☞ HÄNVISNING

Genomför ett dragtest med laddningskabeln för att kontrollera att laddningskabeln inte rör sig längre.

- ▶ Skruva nu fast det spiralformade böjningsskyddet med 4 Nm på tätningsklämman.
- ▶ Anslut de olika kabeländarna enligt bildanvisningen på det högra terminalblocket med texten "OUT" med hjälp av spårskruvmejseln (3,5 mm).
- ▶ Tryck även in skruvmejseln i fjäderavlastningens avsedda övre öppning på terminalblocket och öppna klämfjädersn.
- ▶ Stick nu in kabeln i terminalblockets avsedda anslutningsöppning (nedre öppningen).

Laddningskabel Beskrivning

Blå	N
Brun	L1
Svart	L2
Grå	L3
Gulgrön	PE
Svartvit	Styrkabel (CP)

- ▶ Ta sedan ut skruvmejseln igen och kontrollera med hjälp av ett dragtest att de enskilda kablarna är korrekt och fullständigt anslutna.
- ▶ Anslut den svartvita styrkabeln (CP) på klämman (nedersta kontakten A). Se Bild 2.

☞ HÄNVISNING

Tryck ned den vita fjäderkontakten till höger om anslutningen och led in hela styrkabeln.

- ▶ Kontrollera med hjälp av ett dragtest att kabeln är korrekt och fullständigt ansluten.

8.4 Elanslutningen

- ▶ Kontrollera och försäkra dig om att till-ledningen är spänningsfri och vidta åtgärder så att det inte sker någon ofrivillig omstart.
 - ▶ Kontrollera och uppfyll alla krav på anslutningen och de krav som redan har beskrivits i den här anvisningen.
 - ▶ Ta fram kabelskyddsringarna från det medföljande materialet.
 - ▶ För kabelskyddsringen över till-ledningen.
- ☞ HÄNVISNING
- Kontrollera att skyddsringens införningshjälp är i installerat ändläge på laddboxens baksida, men vänta med att placera den i husets genomföring.
- ▶ Ta bort till-ledningens skyddshölje.
 - ▶ Om man använder en styv till-ledning ska man böja på de olika kablarna och samtidigt ta hänsyn till de minsta böjningsradierna så att det är möjligt att ansluta på klämmorna utan kraftfull mekanisk belastning.
 - ▶ Ta bort de enskilda kablarnas isolering enligt bilden. (Hänvisning: Kontrollera att koppartråden inte skadas).

Bild 10

- ▶ Anslut de olika kabeländarna enligt bildanvisningen på det vänstra terminalblocket med texten "Power In" med hjälp av spårskruvmejseln (3,5 mm).

☞ HÄNVISNING

Kontrollera vid anslutningen att anslutningarna genomförs i korrekt ordning och höger fasföljd.

- ▶ Tryck även in skruvmejseln i fjäderavlastningens avsedda övre öppning på terminalblocket och öppna klämfjädersn.
- ▶ Stick nu in kabeln i terminalblockets avsedda anslutningsöppning (nedre öppningen).
- ▶ Vrid sedan samtidigt ut skruvmejseln igen och kontrollera med hjälp av dragkontrollen att de olika kablarna är korrekt och fullständigt anslutna och att det inte syns öppna platser med koppar.

HÄNVISNING

Vid flera laddboxar till en gemensam huvudförsörjningskälla: Risk för överbelastning.

- ▶ En eventuell förskjutning av faserna måste förutses och anpassas i laddboxens anslutningskonfiguration. Se den webbaserade konfigurationsanvisningen: <https://webasto-charging.com/documentation>.
- ▶ Stick in datakabeln i den avsedda anslutningen i anslutningsområdet. Se kapitel 3.1, "Styrkabel (Control Pilot)" på sidan 313 och Bild 2
- ▶ Ta bort eventuella föroreningar som rester från isoleringen från anslutningsområdet.
- ▶ Kontrollera en gång till att alla kablar är korrekt fastsatta i respektive klämma.
- ▶ Positionera nu kabelskyddsringen i husets genomföring.

HÄNVISNING

Se till att ingen luftspalt uppstår mellan huset och kabelskyddsringen.

8.4.1 Elanslutning i delat nät (splitfas)

Anslutningens konfiguration:

Nätledning	Klämblock
L1	L1
L2	Neutral

DIP-brytare konfiguration: D6 = 0

HÄNVISNING

Med denna konfiguration är ingen snedlastbegränsning definierad.

8.5 Styrning av aktiv effekt

Se Bild 2

Styrningen av aktiv effekt enligt direktiv VDE AR-4100 ska anslutas på följande sätt.

De båda kablarna från radiostyrningens mottagare – beläggningen spelar här ingen roll – ska infogas i denna kontakt (position 3 & 4) (max. kabeltvärsnitt 1,5 mm²).

8.6 Inställning av DIP-brytaren

⚠ FARA

Höga spänningar.

- ▶ Fara för dödlig elektrisk chock.
- ▶ Fastställ spänningsfritt tillstånd.

Laddboxens strömställningar konfigureras med hjälp av DIP-brytare.

Bild 11

DIP-brytare uppe/ON = 1

DIP-brytare nere/OFF = 0

DIP-brytare fabriksinställning: 000111

HÄNVISNING

Om man har ändrat DIP-brytarinställningarna börjar ändringarna inte att gälla förrän man har startat om laddboxen.

Härvid ska DIP-brytarna programmeras så att nedan visad utgångseffekt för 1- och 3-fas laddningsdrift kan ställas in med önskad strömstyrkor (D1-D6).

D1	D2	D3	[A]	Beskrivning
0	0	0	8	Leverandsskick
0	0	1	10	
0	1	0	13	
0	1	1	16	
1	0	0	20	
1	0	1	25	
1	1	0	32	
1	1	1	0	Demo-läge: laddning ej möjligt

D4 0= ingen snedlastbegränsning vid 1-fas laddning, 1= snedlastbegränsning till 16A och D1-D3 > 20A (för CH och AT).

D5 0= ingen snedlastbegränsning vid 1-fas laddning, 1= snedlastbegränsning till 20A och D1-D3 > 25A (för D).

D6 1= TN/TT-nät, 0= IT-nät (endast 1-fas nätanslutning möjlig). Se kapitel 8.4.1, "Elanslutning i delat nät (splitfas)" på sidan 317

8.7 Första användning

8.7.1 Säkerhetskontroll

Dokumentera resultaten från mätningar och kontroller vid den första användningen enligt gällande installationsbestämmelser och standarder. Lokala bestämmelser om drift, installation och miljön gäller.

8.7.2 Start

- ▶ Ta bort materialrester från anslutningsområdet.
- ▶ Kontrollera att alla skruv- och klämkopplingar sitter fast före start.
- ▶ Montera den nedre kåpan.
- ▶ Fäst det nedre skyddet med monteringskruvarna; dra försiktigt åt monteringskruvarna tills det tar stopp. Se Bild 8.
- ▶ Koppla in nätspänningen.
 - Startsekvens aktiveras (varar upp till 60 sekunder).
 - Vitt löpljus åker upp/ner. Se Bild 4 driftstatus N2.
- ▶ Lås upp laddboxen med hjälp av låsnyckelbrytaren vid behov.
- ▶ Genomför kontroll vid idrifttagning och anteckna mätvärdena i besiktningssprotokollet. Laddningskopplingen fungerar som mätpunkt och en EV-simulator som mätverktyg.
- ▶ Simulera och testa de olika drifts- och skyddsfunktionerna med EV-simulatorn.
- ▶ Anslut laddningskabeln till ett fordon.
 - LED växlar från grönt till pulserande blått.

9 Inställningar

HÄNVISNING

För de nedanstående beskrivningarna är timingen av betydelse. Gå därför igenom alla steg innan du påbörjar arbetet.

9.1 Dimma LED-indikeringen

Bild 12

Se även Låsnyckelbrytare.

- ✓ Laddboxen är startad.
- ✓ LED-indikeringen lyser konstant grönt.
- ✓ Låsnyckelbrytare på ON.
- ✓ Inget kopplat fordon.
- ▶ Ställ in låsnyckelbrytaren från ON till OFF, grönt löpljus startar nere, vänta till löpljuset kommer ner igen.
- ▶ Ställ in låsnyckelbrytaren från OFF till ON (inom 3 sekunder på ON)
 - Dimningsläget öppnas

LED-indikeringen växlar till färgen blå och dimmar i flera steg i ett intervall på 3 sekunder från max. till min. När den lägsta dimningsnivån har uppnåtts hoppar LED-indikeringen tillbaka till max. Genomgången av ljusstyrkorna sker fem gånger.

- ▶ Ställ in låsnyckelbrytaren från ON till OFF

✓ Nu väljs dimningsnivån.

HÄNVISNING

Vid leveransen är LEDn inställd till max. ljusstyrka.

HÄNVISNING

Ljusstyrkan för felfärgnyanserna kan inte ändras.

10 Ta produkten ur drift

Produkten får endast tas ur drift med hjälp av en certifierad elektriker.

- ▶ Bryt nätförsörjningen.
- ▶ Elektrisk demontering av laddboxen.
- ▶ För avfallshantering, se kapitel 13, "Avfallshantering" på sidan 318.

11 Underhåll, rengöring och reparation

11.1 Underhåll

Underhåll får endast utföras av en certifierad elektriker och enligt lokala bestämmelser.

11.2 Rengöring

⚠ FARA

Höga spänningar.

Fara för dödlig elektrisk chock. Laddboxen får inte rengöras med en högtryckstvätt eller någon liknande anordning.

- ▶ Torka bara torrt anläggningen med en trasa. Använd inte aggressiva rengöringsmedel, vax eller lösningsmedel.

11.3 Reparation

Det är förbjudet att reparera produkten på eget bevåg. Webasto förbehåller sig rätten att genomföra reparationer på laddboxen. Den enda tillåtna reparationen är möjlig genom en certifierad elektriker med original reservdelar från Webasto.

12 Byte av laddningskabeln

⚠ FARA

Fara för dödlig elektrisk chock.

- ▶ Bryt den elektriska strömförsörjningen till laddboxen i installationen och säkerställ att den inte kan gå på av misstag.

HÄNVISNING

Använd uteslutande Webastos originaldelar.

HÄNVISNING

Så länge man använder Webasto Pure får man maximalt byta ut laddningskabeln fyra gånger.

HÄNVISNING

Artikelnumren hittar man i Webastos webbutik: www.webasto-charging.com

Om man byter ut laddningskabeln ska man beakta installationsanvisningen som medföljer reparationssetsen.

13 Avfallshantering



Med den överstrukna sophink-symbolen menas att den elektroniska eller elektriska utrustningen inte får kasseras bland hushållsavfall när den är uttjänt. Den här typen av utrustningar måste återlämnas till lokala kostnadsfria uppsamlingscentraler. Adresser till uppsamlingscentraler hittar man hos de lokala myndigheterna. Med en separat insamling av elektrisk och elektronisk utrustning kan man använda sig av återvinning, materialåtervinning och andra former av återvinning av uttjänta produkter samtidigt som man förebygger negativa konsekvenser för miljön och människors hälsa när man kasserar utrustningar som kan innehålla farliga ämnen.

- ▶ Förpackningar ska kasseras i lämpliga återvinningsbehållare enligt nationella bestämmelser.

14 Försäkran om överensstämmelse

Webasto Pure har utvecklats, producerats, kontrollerats och levererats enligt gällande rättsföreskrifter i fastlagda försäljningsregioner.

Från nedladdningsområdet <https://webasto-charging.com> kan man hämta hela CE-försäkran om överensstämmelse.

15 Montering

Bild 13

Bild 14

16 Tekniska data

Beskrivning	Data
Nätspänning [V]	230/400 AC
Märkström [A]	8A, 10A, 13A, 16A, 20A, 25A, 32A (1-fas, 3-fas), splitfas (L1+L2, utan N), vid 11 kW varianten max. 16A möjligt
Nätfrekvens [Hz]	50
Typer av nät	TT / TN (1- och 3-fas) / IT (1-fas)
EMC-klass	Strålning: Klass B (bostads-, affärs-, näringslivsområdet) Immunitet: Industriell användning
Överspanningskategori	III enligt EN 60664
Skyddsklass	I
IP-kapslingsklass	IP54
Skydd mot mekanisk stöt	IK08
Skyddsanordningar	Jordfelsbrytare RCD av typ A & dvärgbrytare. Se kapitel 8 Installation och elanslutning.
Fästmetod	Montering i vägg och stativ (fixerad anslutning)
Anläggningsarbeten	Montering på eller i väggen
Anslutningsarea	Den rekommenderade minsta arean för en standardinstallation ligger på - beroende på kabel och installationsätt: 6 mm ² (för 16 A) 10 mm ² (för 32 A)
Laddningskabel med laddningskoppling	Typ 2 enligt EN 62196-1 och EN 62196-2
Nätanslutningsklämma	Anslutningskabel: – stel (min.-max.) 2,5-10 mm ² – flexibel (min.-max.) 2,5-10 mm ² – flexibel (min.-max.) med ledarändhylsa: 2,5-10 mm ²
Utspänning [V]	230/400 AC
Max. laddningseffekt [kW]	11 eller 22 (beroende på fabrikskonfiguration)
Omgivningstemperatur [°C]	-30 till +55 (utan direkt solsenken)
Lagertemperaturområde [°C]	-30 till +80
Indikering	LED-del
Spärr	Låsnyckelbrytare för aktivering av laddning
Höjdläge [m]	max. 3000 (över havet)
Tillåten relativ luftfuktighet [%]	5 till 95; icke kondenserande
Vikt [kg]	11 kW 4,5 m: 4,6 kg 7 m: 5.3 kg

Beskrivning	Data
	22 kW 4,5 m; 5,7 kg 7 m: 6.8 kg
Mått [mm]	Se bilderna i Montering

17 Checklista för installation av Webasto laddbox

Laddbox	Webasto Pure	
Laddningseffekt	11 kW <input type="checkbox"/>	22 kW <input type="checkbox"/>
Serienummer		
Materialnummer		
Allmänt:		
Installationen, elanslutningen och idrifttagningen av laddboxen har utförts av en certifierad elektriker med lämplig behörighet.		tillämpligt/ klart <input type="checkbox"/>
Lokala förutsättningar:		
Laddboxen är inte installerad i en explosiv omgivning.		<input type="checkbox"/>
Laddboxen är installerad på en plats där den inte kan skadas på grund av nedfallande föremål.		<input type="checkbox"/>
Laddboxen är enligt rekommendation installerad i ett solskyddat område.		<input type="checkbox"/>
Monteringsplatsen för laddboxen har valts så att den inte kan skadas på grund av att fordon kan köra in i den oavsiktligt.		<input type="checkbox"/>
Lokala rättsliga krav på elinstallationer, brandskydd, säkerhetsbestämmelser och nödutgångar har beaktats.		<input type="checkbox"/>
Laddningskabeln och laddningskopplingen är skyddade mot kontakt med externa värmekällor, vatten, smuts och kemikalier.		<input type="checkbox"/>
Laddningskabeln och laddningskopplingen är skyddade så att de inte körs över, kläms fast eller utsätts för några andra mekaniska risker.		<input type="checkbox"/>
Kunden/användaren har fått information om hur man kopplar om Webasto Pure med skyddsanordningarna på installationssidan till spänningsfritt tillstånd.		<input type="checkbox"/>
Krav på laddboxen:		
Vid installationen är kabelskyddsringen för nätanslutningskabeln och signalkabeln monterad.		<input type="checkbox"/>
Laddningskabelns knäckskydd är fastskruvat på laddboxen och tätningsgummit är korrekt insatt i knäckskyddet.		<input type="checkbox"/>
Vid installationen har den korrekta laddningskabeln (11 kW eller 22 kW) till laddboxen (enligt fabrikksskylten) anslutits. Avlastningsklämman för att säkerställa laddningskabelns dragavlastning är monterad. De angivna åtdragningsmomenten har beaktats. Laddningskabeln är ansluten enligt anvisningen.		<input type="checkbox"/>
Verktyg och installationsrester från laddboxen har tagits bort innan skyddet stängs.		<input type="checkbox"/>
Vid idrifttagningen ska lokalt gällande provningsprotokoll skapas och en kopia ska ges till kunden.		<input type="checkbox"/>
Kund/uppdragsgivare:		
Ort:	Underskrift:	
Datum:		
Elektriker/uppdragstagare:		
Ort:	Underskrift:	
Datum:		

These are the original instructions. The German language is binding. You can request your language if it is missing. The telephone number of each country can be found in the Webasto service centre leaflet or the website of the respective Webasto representative of your country.

Dies ist die Originalanweisung. Die deutsche Sprache ist verbindlich. Sollten Sprachen fehlen, können diese angefordert werden. Die Telefonnummer des jeweiligen Landes entnehmen Sie bitte dem Webasto Servicestellen-Faltblatt oder der Webseite Ihrer jeweiligen Webasto Landesvertretung.

Това е оригиналната инструкция. Немският език е задължителен. Ако липсват езици, те могат да бъдат поискани. Телефонният номер за съответната държава ще намерите в брошурата за сервизите или на Интернет страницата на представителството.

Toto jsou Originální pokyny. Německý jazyk je závazný. Pokud by chyběly určité jazykové verze, je možné si je vyžádat. Telefonní číslo příslušné země je uvedeno na prospektu servisních středisek Webasto nebo na webových stránkách Vaší příslušné zemské pobočky Webasto.

Dette er den originale vejledning. Det tyske sprog er gældende. Hvis der mangler sprog, kan de rekvireres hos Webasto. Du kan finde telefonnummeret på Webasto Danmark i Webastos kontaktoversigt eller på Webastos danske hjemmeside.

Αυτό είναι το πρωτότυπο εγχειρίδιο οδηγιών. Η γερμανική γλώσσα είναι δεσμευτική. Εάν λείπουν γλώσσες, μπορείτε να τις ζητήσετε. Ο αριθμός τηλεφώνου της εκάστοτε χώρας παρέχεται στο φυλλάδιο σημείων σέρβις Webasto ή στην ιστοσελίδα της εκάστοτε αντιπροσωπείας Webasto της χώρας σας.

Estas son las instrucciones originales. Se considera vinculante el texto en alemán. Se pueden solicitar otros idiomas, en caso de que falte alguno. Puede encontrar el número de teléfono del país correspondiente en el folleto de centros de servicio de Webasto o en la página web del representante de Webasto en su país.

Tegu on originaaljuhendiga. Saksakeelne versioon on siduv. Kui keeleversioonid puuduvad, saab neid tellida. Vastava riigi telefoninumbri leiab Webasto hoolduspunktide brošüürist või teie riigi Webasto esinduse koduleheküljelt.

Tämä on alkuperäinen käyttöohje. Saksankielinen versio on sitova. Mahdollisesti puuttuvat kieliversiot ovat tilattavissa. Kunkin maan puhelinnumero löytyy Webasto huoltopiste-esitteestä tai kyseisen maan Webasto edustajan internetsivuilta.

Il s'agit de la notice d'utilisation originale. C'est la langue allemande qui fait foi. Si des langues devaient manquer, il est possible de les demander. Pour trouver le numéro de téléphone du pays concerné, veuillez consulter le dépliant des points-service Webasto ou la page web de la représentation Webasto de votre pays.

או הן ההנחיות המקוריות. העותק בשפה הגרמנית הוא המחייב משפטי. אם חסרות שפות, יתן לבקש את הוספתן. מספרי הטלפון במדינה הרלוונטית מופיעים בעלון נקודות השירות של Webasto במקומי Webasto או באתר האינטרנט של מפיץ Webasto.

Ovo su originalne upute. Verzija na njemačkom jeziku je obvezujuća. Ako jezici nedostaju, možete ih zatražiti. Telefonski broj dotične zemlje pronaći ćete na letku servisa Webasto ili mrežnoj stranici predstavnika poduzeća Webasto u vašoj zemlji.

Ez az eredeti utasítás. A német nyelv kötelező. Ha nyelvek hiányoznak, azokat meg lehet kérni. Az adott ország telefonszámát kérjük, a Webasto ügyfélszolgálati központjának szórólapjából, illetve a Webasto országos képviselőtének honlapjáról kikeresni.

Queste sono le istruzioni originali. La lingua tedesca è vincolante. Nel caso in cui mancassero alcune lingue, è possibile richiederle. Il numero di telefono di ciascun paese è riportato nell'opuscolo dei centri di assistenza Webasto o nel sito web della rispettiva filiale Webasto nei diversi paesi.

Þetta er frumútgáfa leiðbeininganna. Þýska útgáfan er bindandi. Ef tungumál vantar er hægt að panta þau. Símanúmer viðkomandi lands er að finna í bæklingnum með upplýsingum um þjónustuaðila Webasto eða á vefsíðu umboðsaðila Webasto í viðkomandi landi.

Tai yra originali instrukcija. Vokiečių kalba privaloma. Jei kai kurių kalbų nebūtų, jų galima paprašyti „Webasto“. Atitinkamos šalies telefono numerį rasite „Webasto“ techninės priežiūros skyrių lape arba savo šalies atitinkamos „Webasto“ atstovybės internetiniame puslapyje.

Štai ir originali lietuvių instrukcija. Vėcu valoda ir saistoša. Ja kada no valodām trūkst, varat to pieprasit. Attiecīgās valsts tālruna numuru meklējiet Webasto servisu lapā vai savas Webasto valsts pārstāvniecības vietnē.

Dit is de originele handleiding. De Duitse taal is bindend. Als talen ontbreken, kunnen deze worden aangevraagd. Het telefoonnummer van het betreffende land kunt u vinden op het Webasto Servicepuntenoverzicht of de website van de Webastovestiging in uw land.

Dette er den originale håndboken. Det tyske språket er bindende. Språk som mangler, kan bestilles. Du finner telefonnummeret til de nasjonale Webasto servicekontorene i folderen eller på nettsiden til ditt lands agentur.

To jest instrukcja oryginalna. Wiążący jest język niemiecki. W razie braku potrzebnych wersji językowych możliwe jest ich zamówienie. Numer telefonu dla odpowiedniego kraju jest podany w składanej ulotce zawierającej wykaz punktów serwisowych Webasto, albo na stronie internetowej przedstawicielstwa Webasto w tym kraju.

Esta é a instrução original. A versão vinculativa esta em alemão. Pode solicitar algum idioma em caso de necessidade. Para o número de telefone do respectivo país consulte o flyer de Serviço da Webasto ou a página web do distribuidor da Webasto no seu país.

Acestea sunt instrucțiuni originale. Limba germană este obligatorie. Dacă lipsesc limbi, acestea pot fi solicitate. Numerele de telefon valabile pentru diferitele țări se găsesc în broșurile Webasto ale centrelor de Relații Clienți, sau pe paginile naționale ale reprezentanțelor Webasto.

Toto je originálny návod. Nemecký jazyk je záväzný. Ak by niektorý z jazykov chýbal, môžete si ho vyžiadať. Telefónne číslo príslušnej krajiny si prosím vyhľadajte v letáku servisných stredísk Webasto alebo na webovej stránke príslušného zastúpenia Webasto vo vašej krajine.

To je originalno navodilo. Nemški jezik je obvezujoč. Če kakšen jezik manjka, ga lahko dobite na zahtevo. Telefonsko številko za posamezno državo najdete v zgibanki s servisnimi mesti Webasto ali v spletnem mestu lokalnega zastopstva Webasto

Detta är originalbruksanvisningen. Det tyska språket har företräde. Om språk saknas kan dessa begäras. Telefonnumren i respektive land hittar du på Webasto serviceverkstads informationsblad eller på webbplatsen för respektive lands Webasto representant.

Bu orijinal kılavuzun kendisidir. Bağlayıcı dil Almancadır. Eksik olan diller Webasto'dan talep edilebilir. İlgili eyaletin telefon numaralarını Webasto Servis Broşüründen ya da Webasto Eyalet Temsilciliği web sitesinden öğrenebilirsiniz.

Това е оригиналната инструкция. Немският език е задължителен. Ако липсват езици, те могат да бъдат поискани. Телефонният номер за съответната държава ще намерите в брошурата за сервизите или на Интернет страницата на представителството.

