

WP-ML Magnetic Latch remote battery switch

500 Amps Remote Operated bi-stable battery switch with manual bypass function, allows high current switching under load.



Datasheet



No compromise in safety and reliability, Around the battery

When leaving the marina and heading for the ocean, you are getting fully dependent on your boat electrical system. With WhisperPower, you are secured electricity is guided into the appropriate conduits which prevents dangerous situations. The WhisperPower DC distribution program offers high quality components ensuring a safe and enjoyable trip.

When setting up the battery banks of your 12 or 24V system, the required capacity and choice of battery type are not the only important elements. Vital components around the battery are at least

as important. WhisperPower provides you with all the necessary high quality components to perfectly round off your installation. WhisperPower offers a complete program of manual and remote operated battery switches.

Manual operated WP-Compact series or WP-Heavy Duty series, manual ON/OFF switches to connect/disconnect DC consumers and/or battery bank. Remote operated – WP-ML Bi-stable low current draw remote battery switch/magnetic latch, for remote ON and off switching of the DC consumers and/or battery bank.

- 500 amp continue rating
- bi-stable or Auto Magnetic Latching draws n oor verry little current in the ON or Off states
- Manual override knob provides and added level of safety allowing control with or without power and offering Lock-off capability during maintenance
- Silver alloy contacts provide high reliability
- Multiple cable terminals by 22mm studs
- Ce marking, iso 8846
- SAEJ1171 external ignition protection requirements
- IP66 protected against powerful water jets



green energy solutions

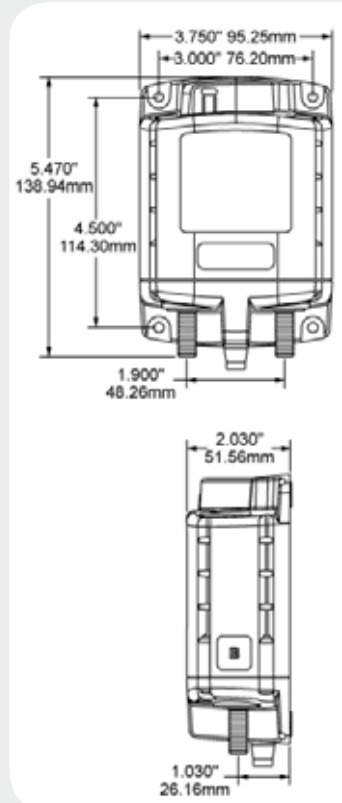




green energy solutions



Series	WP-ML-Serie Heavy Duty Remote Battery Switch	WP-ML-Serie Heavy Duty Remote Battery Switch	WP-ML- Automatic Charging Relays	WP-ML- Automatic Charging Relays
Article no.	50214731	50214732	50214735	50214736
Model type	12 VDC Remote Magnetic Latch Battery Switch	24 VDC Remote Magnetic Latch Battery Switch	12 VDC Magnetic Latch Charging relay, link batteries	24 VDC Magnetic Latch Charging relay, link batteries
Circuit type	ON-OFF... bi stable	ON-OFF... bi stable	Bi stable ACR	Bi stable ACR
Input				
Battery input	1	1	2	2
Switch Posistions	2	2	2	2
Manual override	Locked off/on	Locked off/on	Locked On/off	Locked On/off
I 10 Cranking rating 10 sec	2500A	2500A	2500A	2500A
I 60 Cranking rating 1 min	1100A	1100A	1100A	1100A
I 300 Cintermittent rating 5 min	700A	700A	700A	700A
I C continue rating	500A	500A	500A	500A
Vmno Voltage maxium Operation	32VDC	32VDC	32VDC	32VDC
Control Circuit Voltage	10.1..16.5VDC	20.2...32.9VDC	10.1..16.5VDC	20.2...32.9VDC
Operatiuon current continous	0 mA	0 mA	< 40mA	< 40mA
Operation current when changing	7 A	4 A	< 7 A	< 7 A
Remote Control switch when changing	100 mA	100 mA	100 mA	100 mA
Automatically combines battery banks when senses voltage levels are:			Above 13.5 for 30 sec. Above 13.0 for 90 sec.	Above 27.0 for 30 sec. Above 26.0 for 90 sec.
Automatically isolates battery banks when sensed voltage levels are:			Below 9.6V (undervoltage lockout) Below 12.35V for 10 sec. Below 12.75V for 30 sec. Above 16.2V (undervoltage lockout)	Below 19.2V (undervoltage lockout) Below 24.7V for 10 sec. Below 25.5V for 30 sec. Above 32.4V (undervoltage lockout)
General				
Ambient operation temperature	-20°C ... +40°C	-20°C ... +40°C	-20°C ... +40°C	-20°C ... +40°C
Storage temperature	-25°C ... +85°C	-25°C ... +85°C	-25°C ... +85°C	-25°C ... +85°C
Operating humidity	95%, non condens	95%, non condens	95%, non condens	95%, non condens
Live current switching	100.000 cyles	100.000 cyles	100.000 cyles	100.000 cyles
Mechanical				
Connections terminal stud	M10 (3/8"-.16)	M10 (3/8"-.16)	M10 (3/8"-.16)	M10 (3/8"-.16)
Connections stud lenght	23 mm	23 mm	23 mm	23 mm
Maximum terminal Stud Torque	15.5 NM (140 in-lb)	15.5 NM (140 in-lb)	15.5 NM (140 in-lb)	15.5 NM (140 in-lb)
Terminal material	tin-plated copper	tin-plated copper	tin-plated copper	tin-plated copper
Enclouser width	95.25 mm	95.25 mm	95.25 mm	95.25 mm
Enclouser height	138.94 mm	138.94 mm	138.94 mm	138.94 mm
Enclouser depth	51.56 mm	51.56 mm	51.56 mm	51.56 mm
Weight	0.8 kg	0.8 kg	0.8 kg	0.8 kg
Drilling mounting centers	114.3mm * 76.20mm	114.3mm * 76.20mm	114.3mm * 76.20mm	114.3mm * 76.20mm
Mounting screws	4 mm	4 mm	4 mm	4 mm
Ingress Protection Class	IP66	IP66	IP66	IP66
Enclouser Colour	RAL9011 Graphite Black	RAL9011 Graphite Black	RAL9011 Graphite Black	RAL9011 Graphite Black
Calbe clearance	28.4 mm (1.12")	28.4 mm (1.12")	28.4 mm (1.12")	28.4 mm (1.12")
Ignition Protection	SA J1171	SA J1171	SA J1171	SA J1171
Markings	CE, Iso 8846	CE, Iso 8846	CE, Iso 8846	CE, Iso 8846



Remote WP-ML & WP-ACR



Remote WP-ML



Bijscrift bij dit beeld..

