



INSTALLATION MANUAL

M-SQ20 / 25

- 1500 RPM -

Marine diesel generating set 230/400V / 50Hz
Digital Diesel Control



Art.nr. 40200451

WHISPER POWER BV
Kelvinlaan 82
9207 JB Drachten
Netherlands
Tel.: +31-512-571550
Fax.: +31-512-571599
www.whisperpower.eu

V1. Oktober 2010

CONTENTS:

1	INSTALLATION	3
1.1	General	3
1.2	Location	3
1.3	Instructions for optimal sound and vibration insulation	3
1.3.1	Further recommendations	3
1.4	Ventilation	3
1.5	Connections	4
1.5.1	Fuel supply	5
1.5.2	Cooling	7
1.5.3	Exhaust system	10
1.5.4	Digital Diesel Control system (12 Volt)	13
1.5.5	AC power system (230 / 400 Volt)	15
2	INSTALLATION SPECIFICATIONS	17
2.1	General	17
2.2	Commission table	17
2.3	Installation specifications M-SQ20 / 25	18
2.4	Specifications of the accessories	18
2.5	Installation materials M-SQ20 / 25	19
3	DIAGRAMS & DRAWINGS	25
3.1	DC wiring diagram	25
3.2	Terminal modes M-SQ20 / 25 115V / 400V 50Hz	26
3.3	AC wiring diagram Tri-Phase with AVR 230V / 400V 50Hz (Star)	27
3.4	AC wiring diagram Single Phase with AVR (Double Delta)	28
3.5	WhisperPower remote panel	29
3.6	M-SQ20 / 25 dimensions and footprint	30

1 INSTALLATION

1.1 General

This manual applies to the M-SQ20 / 25 Marine Diesel Generating set controlled by Digital Diesel Control first launched in September 2005. For other models refer to other manuals available on our website: www.whisperpower.eu.

To ensure reliability and durability of the equipment, it is very important that the installation is carried out with the utmost care and attention. To avoid problems, such as temperature problems, noise levels, vibration, etc. the instructions set out in this manual must be followed and all installation work must be carried out professionally.

1.2 Location

Since WhisperPower generating sets have extremely compact dimensions, they can be installed in tight locations. Please consider that even almost maintenance-free machinery must still remain accessible.

When selecting the location area in which to mount the generating set, make sure there is sufficient room to carry out any maintenance work. The unit must be easily accessible on the service side and on the distribution side to have access to the V-belt

Please also note that in spite of the automatic oil pressure sensor it is still essential that the oil level is checked regularly.

1.3 Instructions for optimal sound and vibration insulation

Position the generating set as low as possible in the vessel. The generating set is already secured to the base frame by means of flexible engine mountings. The base frame can be mounted to the vessel's main structure on a second set of rubber mountings that is included in the delivery. Use the included mounting template to determine the mounting spots.

1.3.1 Further recommendations

WhisperPower generating sets are standard equipped with a sound cover. The canopy has been designed to give effective sound insulation. For optimum sound and vibration dampening, the following factors should be considered.

- 1 Most important is the structure on which the generator is placed to be stiff. See figure 1. Directly below the rubber mountings the structure should be supported vertically to the superstructure of the ship.
- 2 Avoid mounting the generating set in close proximity to thin walls or floors that may cause resonance.
- 3 Sound dampening is extremely poor if the generating set is mounted on a light weight flimsy surface such as plywood which will only amplify vibrations. If mounting on a thinner surface cannot be avoided, this should be at least be reinforced with stiffening struts or ribbing. If possible, holes should be drilled or cut through the surface to help reduce the resonance. Covering the surrounding walls and floors with a heavy coating plus foam will certainly improve the situation.
- 4 Never connect the base of the generating set directly to bulkheads or tanks.

1.4 Ventilation

The generating set normally draws air from the engine room. Engine rooms with natural ventilation must have vent openings of adequate size and location to enable the generating set to operate without overheating. To allow an ample supply of air within the temperature limits of the generating set an opening of at least a half square meter (0,5 m²) is required.

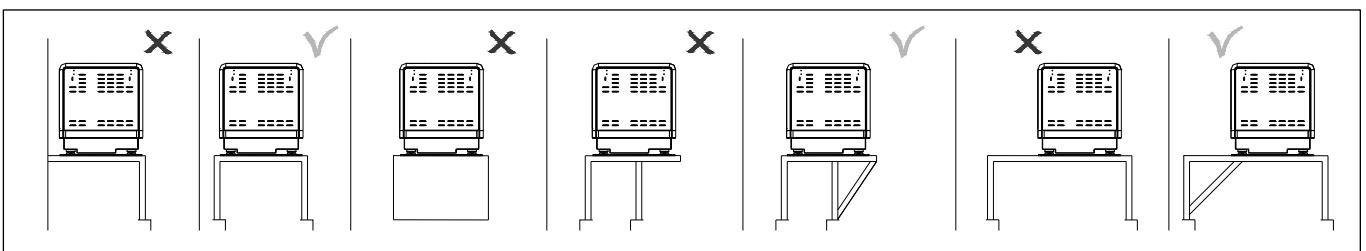


Figure 1: Mounting of the Whisper generating set. X = wrong, V = OK

A "sealed" engine compartment must have a good extraction ventilator to maintain reasonable engine room temperatures. High temperature of intake air reduces engine performance and increases engine coolant temperatures. Air temperatures above 40°C reduce the engine power by 2% for each 5°C of rise. To minimise these effects the engine room temperature must not be more than 15°C above the outside ambient air temperature.

Apply a combination of ventilators, blowers and air intake ducting to meet the temperature limit. The air inlet ducts should run to the bottom of the engine room to clear fumes from the bilge and to circulate fresh air. Air outlets should be at the top of the engine room to remove the hottest air. An engine room blower should be used as an extraction ventilator to remove air from the engine room.

In cases where it is impossible to meet the above mentioned temperature limit by using machine room ventilation, connections are to be made for an air inlet directly to the enclosure. With these connections the generating set can be directly connected to an air duct.

Air inlets should be louvered, where appropriate, to protect the engine room and to protect the generating set from water spray. As an extra precaution, the fitting of a cowl ventilator with a cover box located as high as possible, is recommended.

1.5 Connections

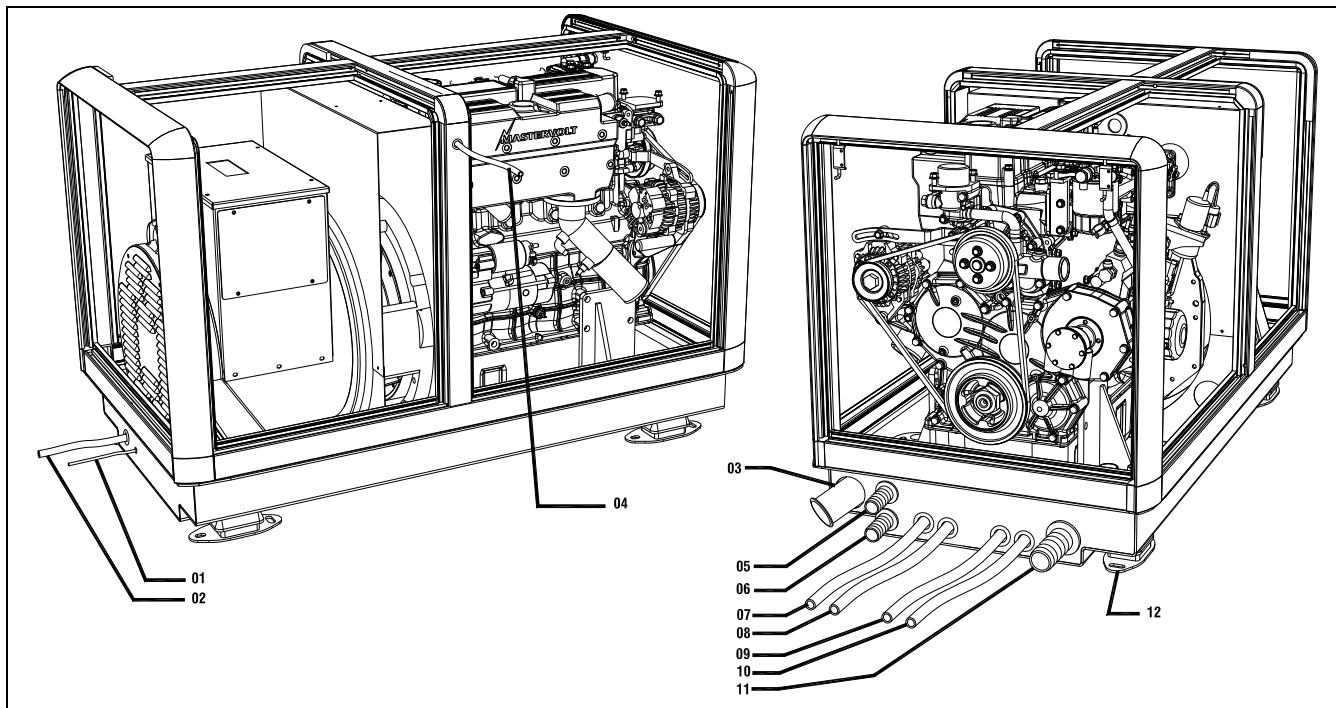
The generating set comes supplied with all supply lines and output cable (i.e. electric cables, cooling water connections, exhaust, fuel lines etc.) already connected to the engine and generator. The supply lines are fed through the capsule's base. The connections are marked as shown in fig. 2.

All electrical connections, cable types and sizes must comply with the appropriate national regulations. Supplied cables are rated for ambient temperatures up to 70°C. If the cables are required to meet higher temperature requirements, they must be run through conduits.



ATTENTION!

Before working (installation) on the system read the section safety instructions



01 Remote control	05 Bypass cooling water out Ø25.4mm	09 Fuel out Ø8mm
02 AC power output	06 Bypass cooling water in Ø25.4mm	10 Fuel in Ø8mm
03 Exhaust connection Ø63mm	07 Battery positive + 35mm ²	11 Raw water inlet
04 Expansion tank	08 Battery negative - 35mm ²	12 Rubber engine mounting

Fig. 2 Connections

1.5.1 Fuel supply

1 FUEL TANK

Fuel tanks should be made of appropriate material such as (stainless) steel or plastic. Steel tanks should not be galvanised or painted inside. Condensation can occur in metal tanks when temperature changes. Therefore, water accumulates at the bottom of the tank and provisions should be made for the drainage of this water.

The tank will need a filling connection, a return connection and an air ventilation connection which will require protection against water entry.

Some official regulations do not allow connection points at the base of the fuel tank; in this instance connections are to be made at the top of the tank with internal tubing down to a few cm above the bottom of the tank.

2 FUEL LIFT PUMP

The generating set itself is equipped with a fuel lift pump; therefore the tank can be installed at a lower level than the generating set. The maximum suction height is 1 m.

If the pump has to lift the fuel higher than one meter an external electrical fuel lift pump must be installed. The control board is already prepared to connect an extra fuel pump.

3 FUEL PIPES

When the tank is above the generating set we recommend ending the return line on the top of the tank.

When the return is on the top - in case of a leakage the return line cannot overflow because of siphoning. One will only need a fuel cock in the fuel supply line (see figure 3).

When the tank is below the generating set we recommend ending the return line on the bottom of the tank (A) below the inlet of the supply line (see figure 4)

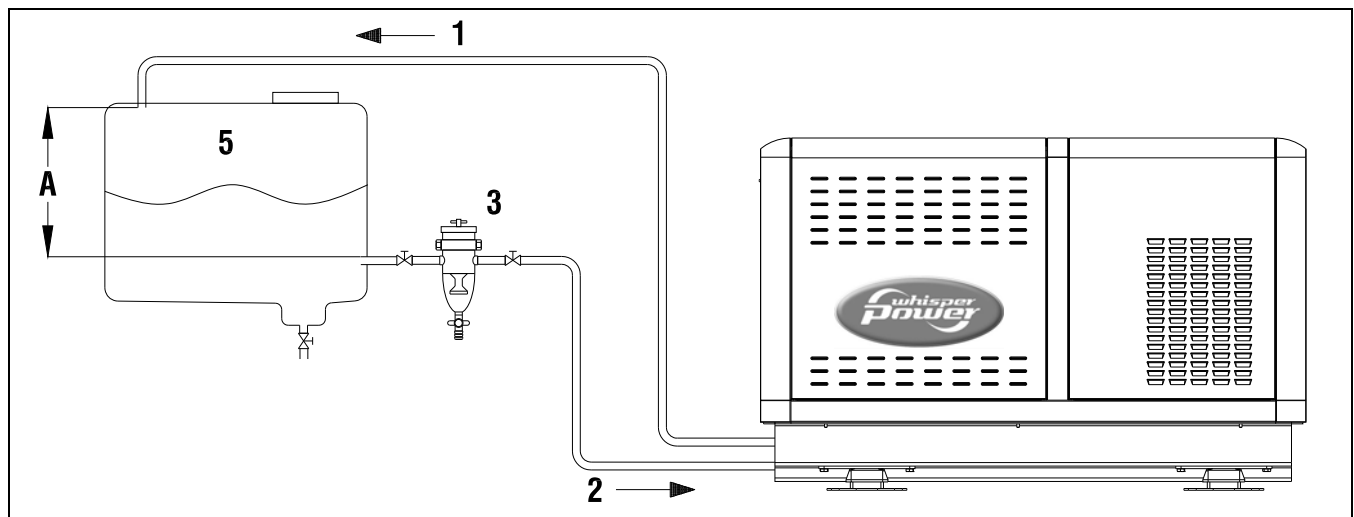


Fig. 3 Fuel supply

- 1 Fuel return
- 2 Fuel supply
- 3 Prefilter / Water separator (optional)
- 5 Fuel Tank

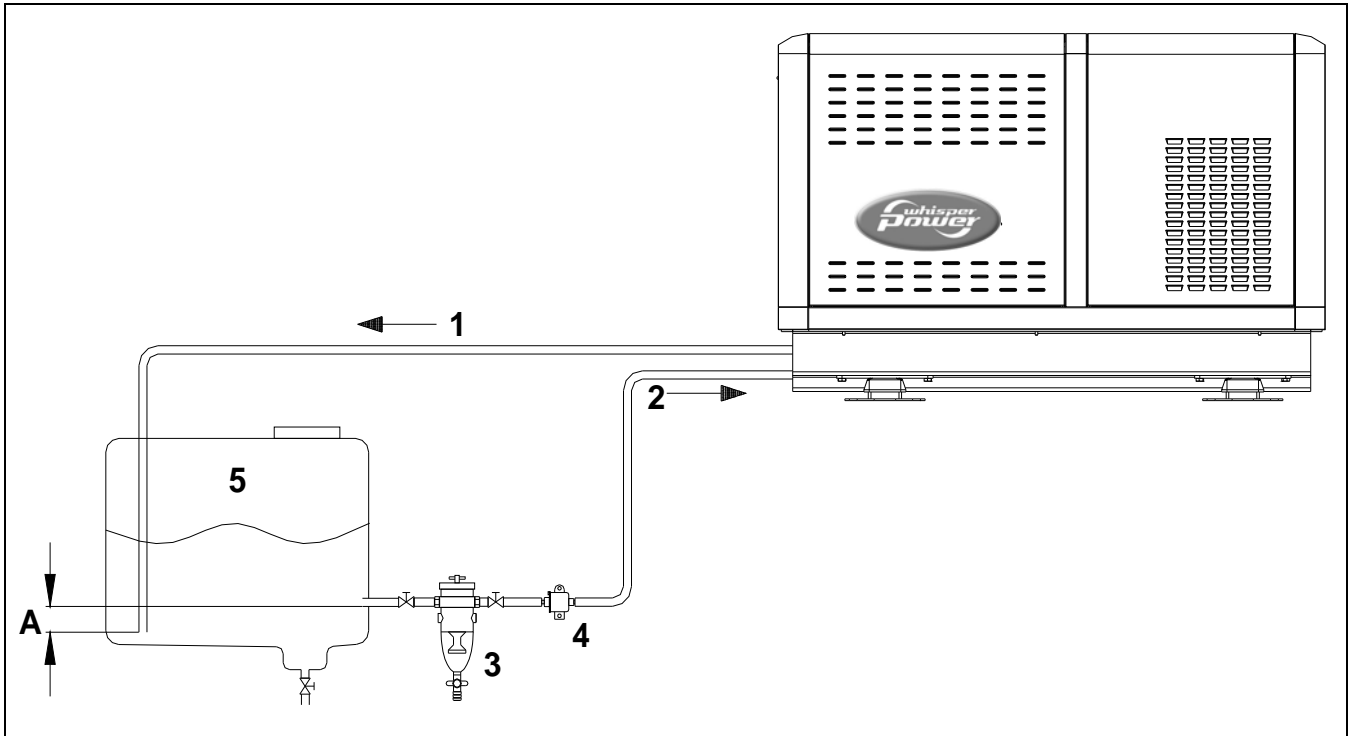


Fig. 4 Fuel supply

- 1 Fuel return
- 2 Fuel supply
- 3 Prefilter / Water separator (optional)
- 4 Extra fuel lift pump (optional)
- 5 Fuel tank

4 FUEL FILTERS

A fine fuel filter is installed which requires maintenance. WhisperPower advises to install an extra fuel filter/ water fuel separator near the fuel tank.

Before starting your generating set for the first time follow the fuel system bleeding procedure in the users manual.

Both supply and return fuel pipe lines should be appropriate material and 8 mm outer diameter tubing. The quality of the tubing of fuel pipes could be submitted to local regulations depending on the application of the vessel.

The fuel pipes can be plumbed to the flexible hoses which are on the generating set and have a connection to fit to 8 mm pipe. This fuel lines fulfils CE standards and are according to ISO 7840 A2. It is important to avoid bends in the pipes, as they could trap air bubbles. The return pipe should never be connected to the suction pipe or to other consumers of diesel fuel, such as the propulsion engine and heaters and return pipes

1.5.2 Cooling

Intercooling is based on a raw water pump, heat exchanger and water-injected exhaust. Cooling liquid in the internal cooling system is cooled in a heat exchanger by outboard water (raw water or seawater). After the raw water is warmed up in the heat exchanger it is dumped overboard by injecting it in the exhaust.

The generating set should have its own sea water (coolant water) inlet and should not be connected to any other engine systems. A properly installed cooling system is critical to keep engine temperatures within an acceptable range. Ensure that the installation complies with the following installation instructions.

1 THE INTERNAL COOLING SYSTEM

The internal cooling system should be filled with cooling liquid. (Refer to the users manual 2.5.12) When the engine becomes hot the liquid expands and the system is pressurised. After the pressure becomes too high the release valve in the filling cap on the manifold opens and the expanding liquid is pressed into the expansion tank that is in the delivery. Also the air in the system that is collected at the top of the manifold is released in this way. When the liquid cools down there will be under-pressure. Another valve opens and the liquid is sucked into the manifold again. This system works only when there is enough liquid initially. This has to be checked when commissioning the generator set. By filling up the expansion tank when necessary there will always be enough liquid in the system. The hose that is in the

delivery has to be connected to the connection on the side of the filling cap. This hose is made of heat resistant plastic and is not sensitive for kinks.

The hose goes through a hole in the canopy

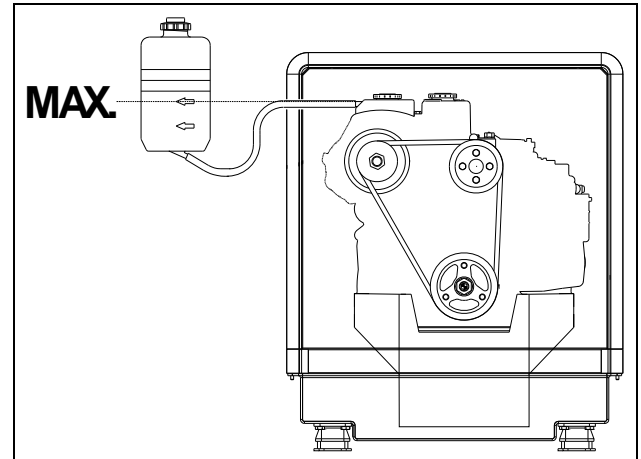


Fig. 5: Expansion tank placement

The tank has to be placed close to the generator. When it is mounted above the top of the manifold the liquid in the tank will be drained when the cap on the manifold is taken off. When keel cooling or radiator cooling is applied the system will not be pressurised. A cap without release valve should be applied. Refer to the special manual for these applications.

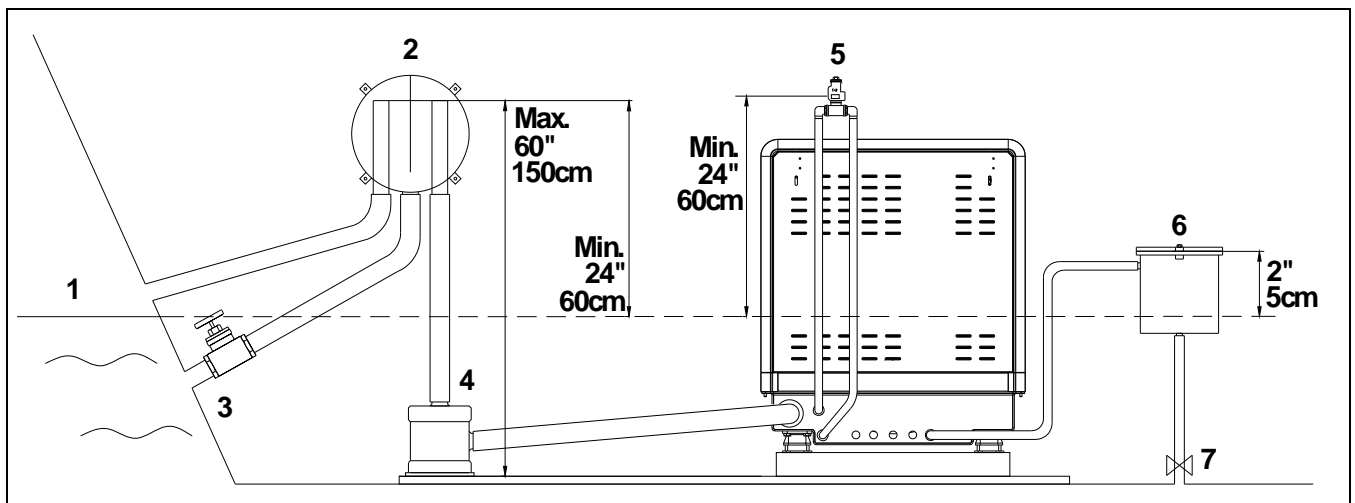


Fig. 6. Internal cooling system

- 1 Water level;
- 2 Water/exhaust separator;
- 3 Seacock;
- 4 Waterlock;
- 5 Air vent;
- 6 Water strainer;
- 7 Seacock.

2 RAW WATER SUPPLY

For raw water supply the following installation materials are required: -a skin fitting - a sea cock - a water strainer - hoses and clamps. In order to keep the suction resistance in the line at a minimum, the sea water intake system (i.e. sea cock, trough-hull fitting, inlet filter, etc.) must have an inner diameter of at least 25.4 mm diameter (1"). The suction hose should be kept as short as possible. Raw water plumbing should avoid bends as much as possible. Restriction of raw water flow, caused by kinked hoses, undersized pipes or connections, will reduce the engine cooling capability. This is the main cause for overheating of an engine.

After running the generating set for the first time, check the coolant flow rate using a stopwatch and by holding a pail of a known volume under the wet-exhaust outlet. The flow rate should be according to the data in the users manual

3 INSTALLATION OF THROUGH HULL FITTING

It is good practice for yachts to use a hull inlet fitting with an integrated strainer (water scoop). For propulsion engines in motorboats the water scoop is often mounted against the sailing direction to induce more water intake for cooling.



This should not be done in the case of a generating set! When sailing at higher speeds, water will be forced into the inlet and your generating set will overflow! (see figure 7).

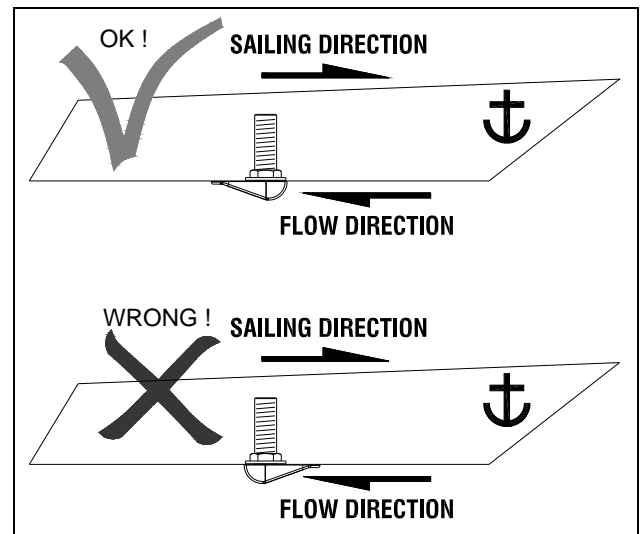


Fig. 7 Installing water intake

On motorboats and on sailing boats the water scoop for a generating set should be fitted with the opening faced backwards to prevent water being forced in during sailing.

4 WATER STRAINER

Use an appropriate water strainer with connections of 25.4 mm (1"). Install the water strainer in a well accessible position, 5 cm above the waterline (see fig. 6, ref. 6).

5 SIPHON BREAKER (AIR VENT)

When the point of water injection is below the waterline, then -when the engine is stopped -there is a risk that the cooling water may enter the engine as a result of siphoning. To avoid this happening, the generating set is designed to accommodate a siphon breaker (air vent). See figure 2. In the standard delivery the connections are bypassed. Hose of 25.4 mm (1") inner diameter should be used.

If the generating set cannot be mounted such that the bottom of the generating set is placed above the waterline, an air vent must be installed.

Extend the water hose of the by-pass 60 cm above waterline and install an air vent. Ideally, the air vent should be mounted above the yacht keel center line (i.e. to minimize the influence of swaying on the water intake). See figure 6, ref. 5.

Fast motorboats will lay deeper when sailing at large speed and can cause pressure on the waterinlet. This should be avoided to prevent flooding the engine.



If the air vent is clogged the water hoses will not be vented when the generating set has stopped and water can be forced into the engine. This leads to immediate engine problems and eventually severe damage!

DAMAGE CAUSED BY THE INGRESS OF WATER IN THE ENGINE IS NOT COVERED BY GUARANTEE

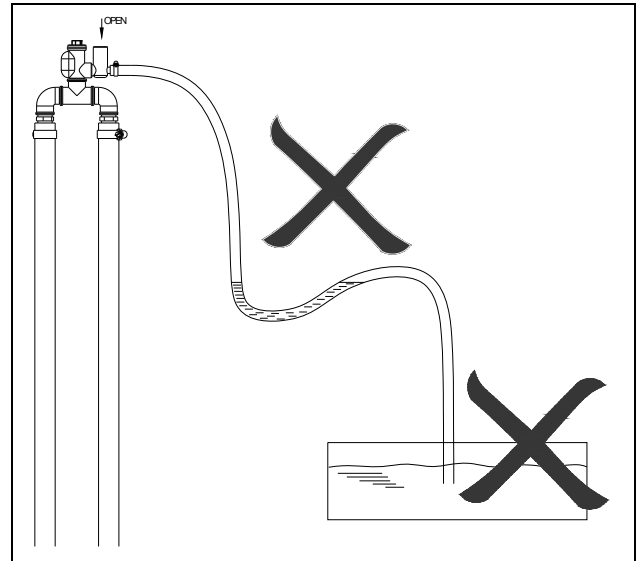


Fig 8: Wrong siphon breaker hose routing

On the valve is a little hose to drain a little water that could be spilled from the valve. See figure 8. This hose should go down and may not end under water, because it should ventilate air into the valve to break the siphoning.

Check the air vent at regular intervals. Open, clean and lubricate the valve as required.

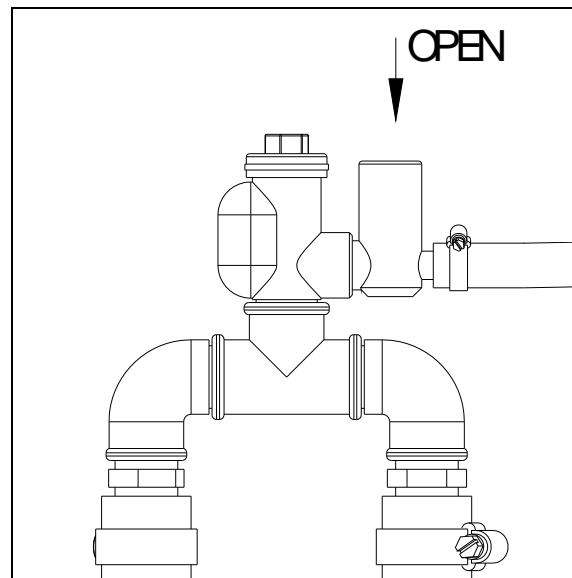


Fig. 9 WhisperPower siphon breaker

1.5.3 Exhaust system

Water is injected in the exhaust system of the generating set. In this way the cooling water that has passed the heat exchanger is mixed with the exhaust gases. Temperature and volume of the gases are thereby reduced considerably, so that a rubber exhaust hose can be used and the level of noise is reduced as well.

1 STANDARD EXHAUST SYSTEM INSTALLATION

The generating set exhaust system must remain completely independent and separate from the exhaust system of any other engine on board. A water lock prevents the generating set from being flooded by cooling water and should be installed as close to the generating set as possible. The lock must be large enough to hold the entire water volume held in the hose from the top of the goose neck to the water lock. The water lock must be installed at the lowest point of the exhaust system (ref. to

fig. 10, ref. 1). The exhaust hose must have an inner diameter of 63 mm (2½"). The exhaust system must be installed so that the back pressure inside the exhaust does not exceed 0.07 bar (1psi – 70 cm watercolumn) and total length from the generator to the top of the goose neck or or water/separator does not exceed 3m (10 ft.). (Refer to paragraph 5.4.3 of the users manual).

The exhaust hose descends from the capsule to the water lock. Then the hose rises via the "goose neck" to the through-hull exhaust outlet, situated minimum 50 mm above the water line (see fig. 10, ref 5.) The "goose neck" must be vertical and situated preferable along the ship's keel center line. If the generating set is mounted less than 600 mm (24") above the waterline, a "goose neck" must be installed to prevent the engine from overflowing. It is recommended to install an extra muffler close to the through-hull fitting.

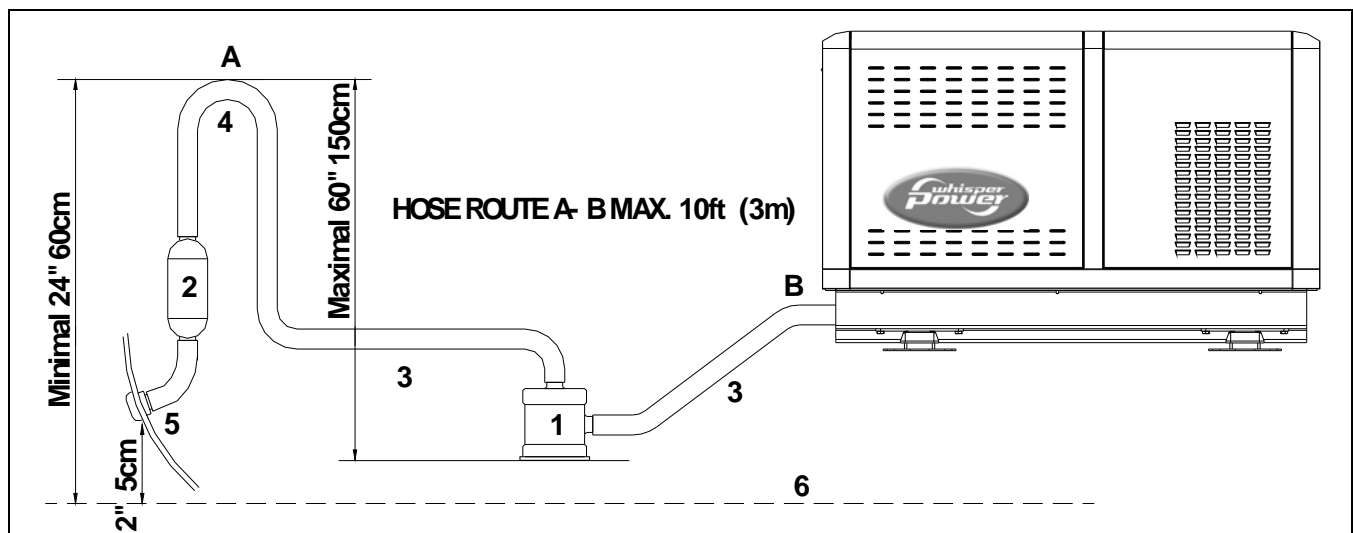


Fig. 10. Exhaust system

- 1 Exhaust water lock;
- 2 Exhaust outlet muffler;
- 3 Exhaust line Ø 63 mm (2½");
- 4 Goose neck
- 5 Through-hull exhaust outlet Ø 63 mm (2½");
- 6 Water level.

2 "SUPER SILENT" EXHAUST SYSTEM

In order to reduce the noise level of the generating set to a minimum, an option to reduce the exhaust noise further (especially exhaust water splashing) is an exhaust/water separator. The exhaust/water separator allows the cooling water to be ejected through a line (figure 11, ref. A) separate from the exhaust fumes and also functions as a goose neck to prevent water from flooding the engine. If the exhaust/water separator is mounted more than 60 cm above the water level an additional goose neck is not required.

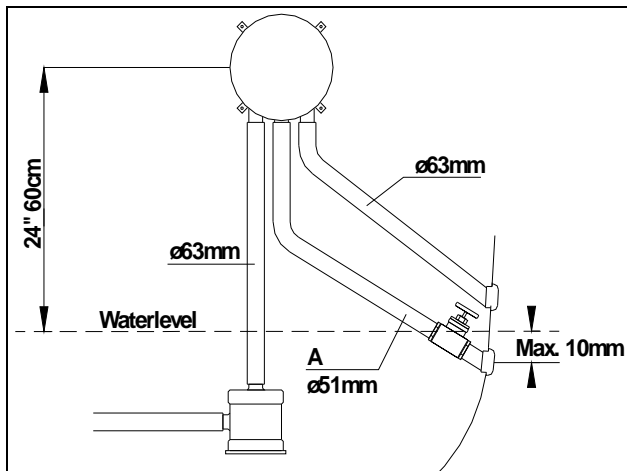


Fig. 11: Super silent exhaust system

If the through-hull exhaust outlet has to be mounted far from the generating set an exhaust/water separator must definitely be installed (Total length of the exhaust piping from generator to top of goose neck (water separator) is more than 3 m.) (ref. to fig. 12).

The sea water from the separator must then run down along the shortest possible path to the through-hull outlet. Only after the exhaust/water separator the exhaust hose may have a length of over 7,5 m (ref. to fig. 12)

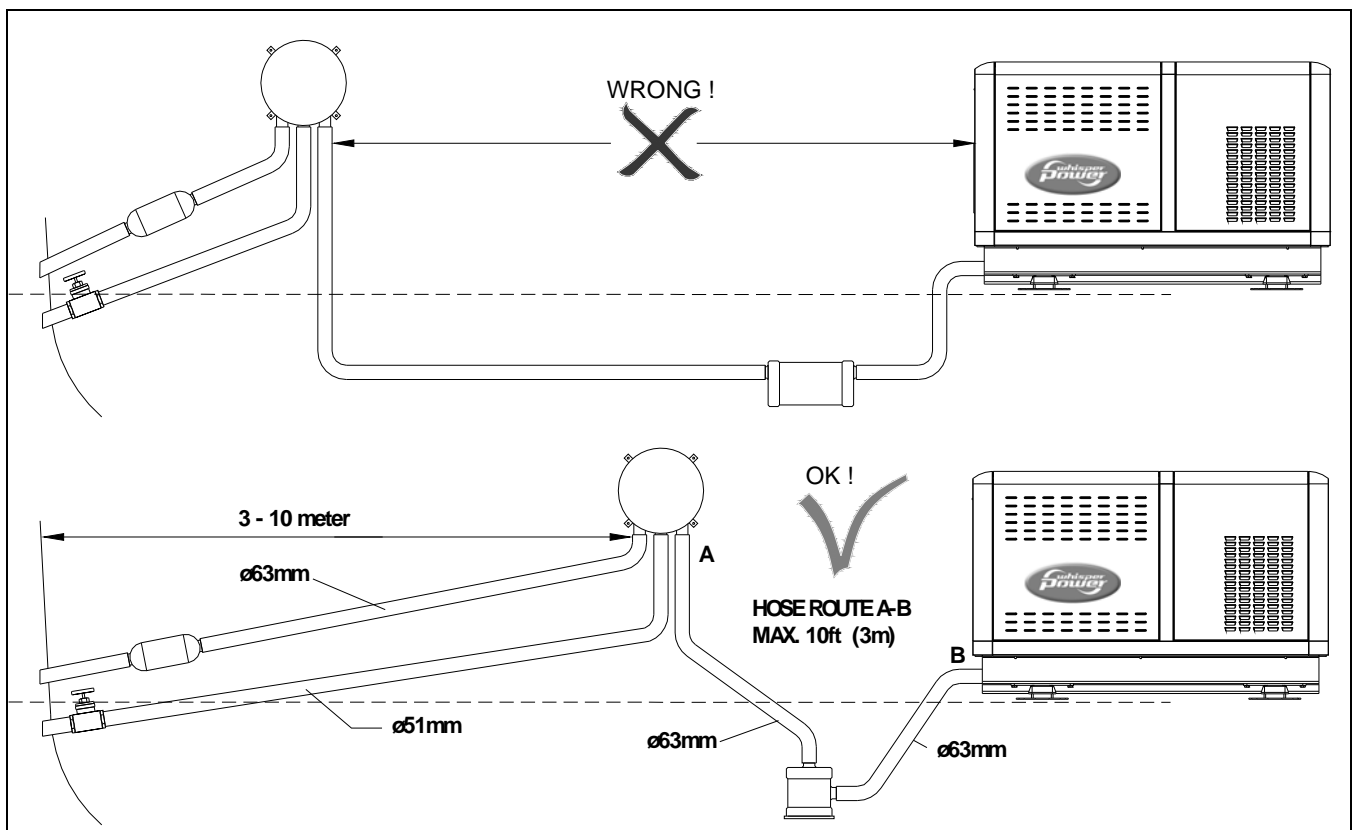


Fig. 12.

However water traps should be avoided as the fumes still contains water and this should not accumulate in bents (see fig 13). An additional outlet exhaust muffler close to the hull outlet will help further to reduce noise emission (figure 10, ref. 2)

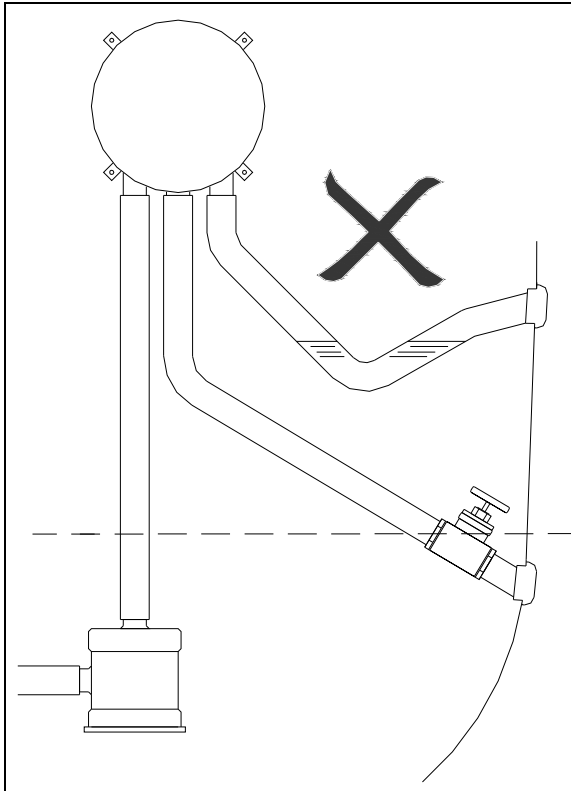


Fig. 13: Water trap in exhaust system

If the generating set and the exhaust system have been installed correctly, neighbouring boats will not be disturbed by generating set noise. With the "super silent" exhaust system, generating set noises are almost inaudible. For optimal noise reduction, the sea water outlet from the exhaust/water separator (centre outlet on the unit, see figure 11) should be installed below the water level to eliminate noisy splashing of the effluent sea water. The through-hull outlet for the exhaust fumes should not direct the fumes directly toward the water surface as this will cause excessive noise (see fig. 14).



Do not direct the outlet directly toward the water surface.

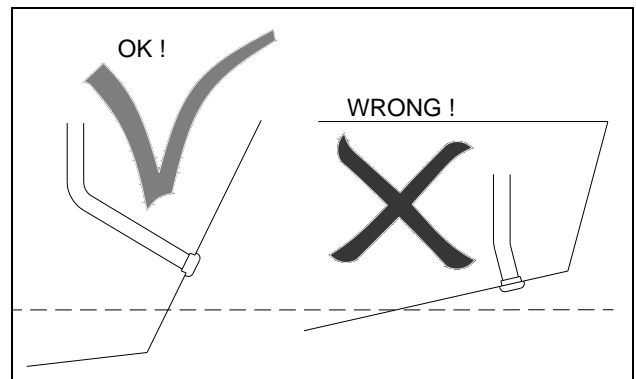


Fig. 14. Outlet direction

1.5.4 Digital Diesel Control system (12 Volt)

1 DIGITAL DIESEL CONTROL SYSTEM

The electrical control system is standard in 12 Volt with negative earth. Non- earth return is available as an option for aluminium vessels to prevent corrosion.

All electrical wiring has been prepared on the generating set to the control panel prior to despatch from the factory. The engine is controlled by a very advanced microprocessor based system: Digital Diesel Control.

The "black box" containing the microprocessor is located on top of the alternator. A local control panel is on the generating set.

Remote control

A remote control panel also containing a microprocessor is in the delivery. A 15 m intermediate 8-pole communication cable is in the standard supply too (refer to fig. 15). If necessary an optional longer (up to 30m / 100ft) intermediate cable can be connected if the standard length does not suit the required distance. When a longer distance than 30m / 100ft is required, consult the WhisperPower service department for advice.

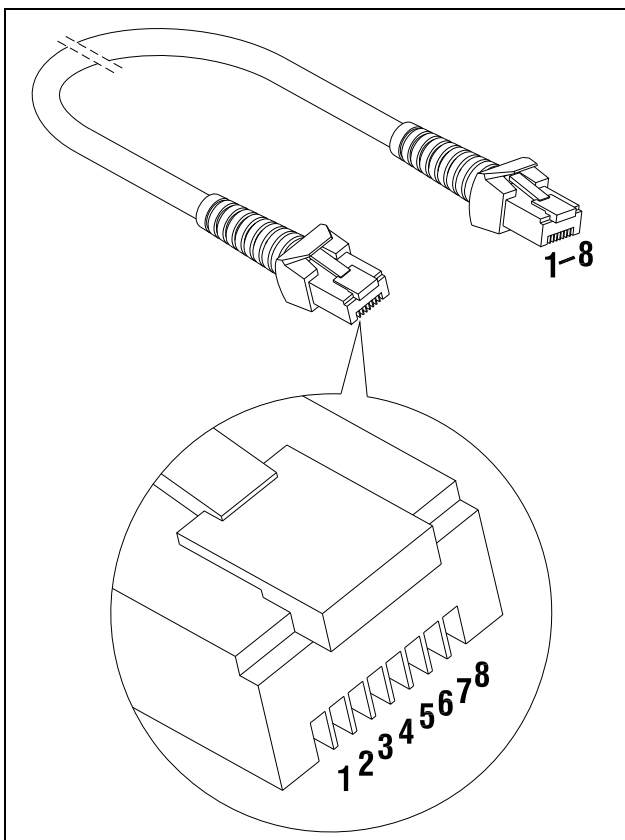


Fig. 15 Remote control cable

One can mount the control panel after drilling a hole in the dashboard using the plastic cover. Refer to the dimensional drawing in paragraph 3.5. The panel without the plastic cover fits the Mastervision modular panel system.

More remote control panels (slave panels) can be put in parallel by using the modular connectors on the back of the units. As a slave one can use the same panel offering all functions again. It is also possible to use an old or new type slave panel only to start and stop the generator. Old type remote panels and system panels can be connected by means of the green connector.

Pay attention to the colour codes as indicated in fig. 16 when fitting cable to the green connector. Some software versions in old system panels (supplied before may 2004) could conflict with the software in the DDC and an update of the software of the system panel could be necessary. When this is the case consult to the WhisperPower service department for advice.

When using the factory settings, installation is very simple: just plug the remote cable into the remote and the generator is ready to use. Refer to fig. 16.

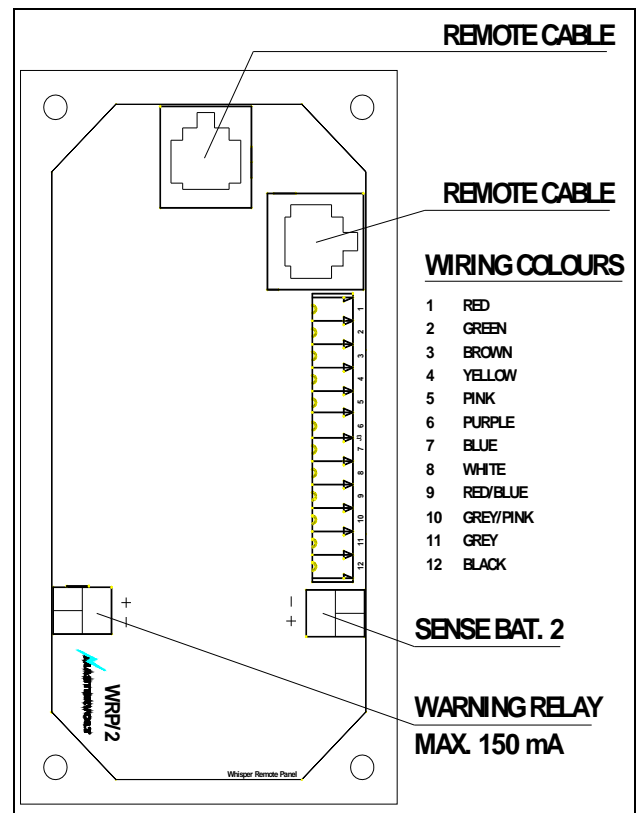


Fig. 16 Remote box terminals

Acoustic alarm or warning lamp

One can connect an external max.150 mA relay to generate an acoustic warning or applying a warning lamp etc. Be aware of polarity as some relays has a diode inside and should be connected plus to plus en minus to minus as indicated. Refer to fig. 16.

Connection for emergency stop / fire alarm switch

To connect an emergency stop button or to stop the generator automatically in case of a fire alarm, you can use the bypass connection between fastons J7 and J18 on the backside of the local control panel. See fig. 17. To do so, remove this bypass connection and then replace it by an emergency switch or a potential free fire alarm switch with normally closed contacts

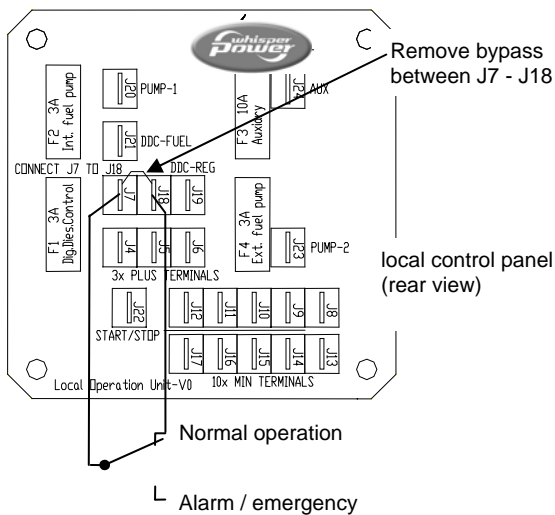


Fig. 17 Connection for emergency stop / fire alarm switch

Automatic start/stop



WhisperPower cannot be held responsible for damage caused by the unattended running generator using the auto-start/stop mode or interval mode.

Using the auto-start/stop (interval) mode the generator can start unexpectedly. When working on the electrical system, the 3 Amp fuse must be removed from the control panel and the battery plus cable must be removed from the battery.

The WhisperPower Digital Diesel Control system offers several options for automatic starting and stopping.

Access to this menu and other menus could be blocked. For blocking and setting up this options refer to the APPENDIX of the DDC users manual.

One of these options is to monitor a second battery (not being the starter battery) to start the generator automatically when the voltage of this battery drops below a certain setting.

Other names for this second battery are "auxiliary battery", "service battery", "users battery" or "consumers battery". We will refer to this battery as "the second battery" (BAT2). In some menus the starter battery could be indicated as "the first battery" (BAT1).

A sense wire to monitor the second battery should be connected (attention polarity!) to the connector on the back of the remote panel. Refer to fig. 16. The sense wires must be connected directly on the second battery before a main switch and be protected by a 3 Amps fuse.

(Monitoring the generator starter battery does not require an extra sense connection)

Settings

When one want to apply other settings than the factory settings refer to the DDC users manual, especially to the APPENDIX.

2 STARTER BATTERY

For starting, the WhisperPower requires a battery with a capacity of at least 120 Ah. The generating set can be connected with the main engine battery or have its own battery.

We strongly recommend the use of a separate battery for the generating set and to keep the wiring system for the propulsion engine and the domestic DC supply system completely separate and individually connected to separate batteries.

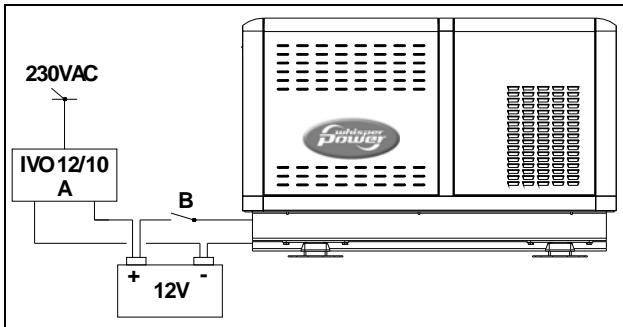


Fig. 18 Starter battery

However, the negative of all the batteries on the vessel should be interconnected (when on earth) to avoid difference in the voltage level of the earth on different places causing trouble to electronic devices which might be in the system.

The above recommendation is not valid for ships having the starter battery of the propulsion engine or other auxiliary equipment positive grounded. When this is the case an expert should be consulted.

A battery switch may be used to interrupt the positive connection.

The starter battery is charged by the alternator on the engine. An additional battery charger will help to keep the battery in good condition when the generating set is not used. A battery charger is not included in the standard supply. A high efficiency battery charging unit can be ordered from WhisperPower which is able to charge both the ship's main battery and the starter battery. Also a small charger can be used to charge the starter battery only, such as the IVO SMART 12/10. A battery switch and a charger are included in the battery installation kit, art. no. 50230226

3 OTHER RECOMMENDATIONS AND WARNINGS

The battery should be secured for seagoing conditions and the terminals should be insulated. For extra safety the battery can be enclosed in a wooden, plastic, fibreglas etc. (non metal) box. Even when the earth return system is applied a negative battery cable should be used and the vessel should not to be used as a conductor.

The battery cables are supplied in a standard length of 1.5 m, if longer cables are required a larger cross sectional area should be considered to compensate for voltage reduction.

When two batteries are used in series to provide a 24 Volt supply system, never take off 12 Volt (starting) power from one of these batteries. This will result in severe damage to the batteries within a short time.

Disconnect the battery leads if electrical welding is to be carried out, otherwise damage will be caused to the diodes of the alternator.



As explosive hydrogen gases are discharged during charging, the battery should be located in a well ventilated room. Ensure that the supplied battery cable connectors are properly fitted and never remove during or shortly after charging as sparking can occur, which may ignite the hydrogen gasses.

1.5.5 AC power system (230 / 400 Volt)



Before working (installation) on the system read the sections on safety in the users manual.

Be sure that all electrical installations (including all safety systems) comply with all required regulations of the local authorities. All electrical safety/shutdown and circuit breaking systems have to be installed onboard as the generating set itself cannot be equipped with such equipment for every possible variation.

The vessel's power supply system should be suitable and safe for the AC voltage which is applied and the power that will be generated. Special attention has to be paid on dividing the system in branches which are fused individually.

It is absolutely essential that each and every circuit in the on-board electrical system is properly installed by a qualified electrician.

The M-SQ20 / 25 can be connected as a single phase 230 Volt generator by an arrangement of the wiring in double DELTA. When the wires are arranged in STAR the output will be 230/400Volt.

Connected as a three phase 230/400 Volt generator, 3x 400 Volt is available between the phases. At the same time 230 Volt is available between every phase and neutral.

When applying 3 phases the installation should be laid out in such a way that there is a reasonable balance of load between the three phases.

To avoid problems with unbalanced loads one could apply a 400V 3 phase to 230 Volt single phase transformer.

1 FUSE

An input fuse (from the generating set to the system) should be installed to protect the installed electrical system.

For the Whispers the maximum single phase current at 230V is 108 Amps. Using three phases the fuses should be three times 36 Amps and mechanically connected. The fuses must be of the slow reacting type. For electrical motors connected to the system, a motor protection switch must be installed

2 GROUNDING

The AC alternator windings are not grounded.

The housing of the alternator and all other metal parts are grounded

To make a connection between "neutral" and "ground" is necessary as part of a specific insulation failure protection system.

Small pleasure craft in Europe (length up to 24 meter) is submitted to The Recreational Craft Directive 94/25/EC. The guidelines of this directive refer to (ISO 13297).

When the installation comply to this standard the "neutral" and "ground" should be connected on the generating set by connecting the blue (neutral) wire with the terminal on which the yellow/green wire is connected.

A Ground Fault Circuit Interrupter (GFCI) or similar device must be applied



WARNING

In all situations the transfer switches between shore, inverter and generator should switch all connections, the line(s) as well as neutral.

Be aware that insulation protection systems can be different for different applications and even within the ship there could be different standards for different spaces. We did refer to the Recreational Craft Directive that applies to pleasure craft up to 24 m of length. Sometimes one has to comply with other standards such as the rules of certification societies like Lloyds Register of Shipping or Veritas, regulations for the protection of personal, building legislation, etc. It is of the greatest importance to have expert advice on this issue.

For safety reasons connect the main ships ground to negative point of the generating set start battery. When a ungrounded DC system or positive grounded DC system is applied the battery negative should not be connected to the main ships ground.

3 CABLE

For the power cable we recommend the use of 3 wire single phase or 5 wire tri-phase oil resistant cable with a sufficient cross sectional area. One wire for earth is included. For long cables it is recommended to apply cables with a larger cross section (refer to ISO 13297 annex A)

4 TRANSFER SWITCH

A power source selector switch must be installed between the generating set and the ship's electrical supply system. This switch must ensure that all AC consumers can be switched off at once. This switch should also be installed to keep the generating set and shore (grid) power systems separate.

Transfer switches - to switch over from shore to ship or from generating set to inverter - should be well designed to switch over all wires including neutral (and not only phases or line) and there should be provisions with the aid of timers to prevent relays from clattering.

2 INSTALLATION SPECIFICATIONS

2.1 General

- 1 Install the generating set on the 4 anti vibration mounts. Use the template included in the shipment to drill the 8 mounting holes.

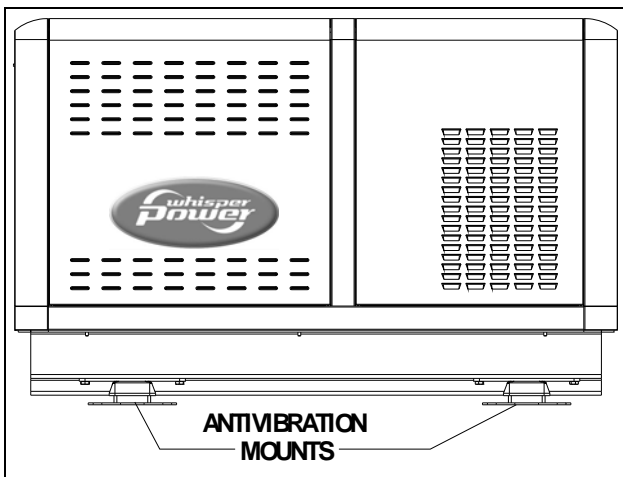


Fig. 19 Antivibration mounts

- 2 Connect the (sea) water inlet to the strainer.
- 3 Connect exhaust system.
- 4 Connect a siphon breaker or 'air vent' into the cooling circuit, if necessary.
- 5 Connect 'fuel supply line' to the water separator/ fuel filter.
- 6 Connect 'fuel return line' to the fuel tank.
- 7 Connect remote panel (just plug in).
- 8 Connect the AC cable from the AC box to the power source selector or MASTERSWITCH.
- 9 Connect plus and minus from the 12V starter battery to the battery cables.
- 10 Install a WhisperPower battery charger. (optional)

2.2 Commission table

- 1 Check if a siphon breaker (air vent) is necessary and has been installed
- 2 Open the seawater inlet valve and check all water connections. Check if the strainer is installed on or just above the seawater level.

- 3 Check if the exhaust system is properly installed. Check maximum length of exhaust hose, diameter of exhaust hose, position of the water lock, maximum lift. Also check the minimum required height of 60 cm above sea level of the exhaust loop (goose neck).
- 4 Open the seawater outlet valve and check all water connections.
- 5 Check the AC cables and the grounding.
- 6 Check if an AC breaker is installed before or after the power source selector. When there is only a circuit breaker, use it to disconnect the generating set from the grid.
- 7 Check all DC connections, check if the battery switch/ circuit breaker is closed.
- 8 Open the fuel valve. Check if there are no air leaks in the fuel supply line, and check if the lift of the fuel is less than 1 meter. Check if there is no air in the water fuel separator.
- 9 To bleed the fuel system use the manual pump by turning the cap loose and pumping as long as necessary to bleed the system
- 10 Check if the air intake in the canopy is not blocked.
- 11 Check the oil level and colour of the oil. Check the coolant level
- 12 Start the engine by pushing the start button
- 13 Check when the generating set is running, the delay of 5 to 10 seconds in the power source selector transfer.
- 14 Check voltage and frequency under 'no load' conditions.
- 15 Check voltage and frequency under 'full load' conditions.
- 16 Check if the battery charger of the generating set is working (max. 14.5 Volt).
- 17 Close the sound shield and check the noise level.
- 18 Stop the generating set and check the engine again for leakages of oil, fuel or water.

Installation checklist available on our website:
www.whisperpower.eu.

Commissioning form available on our website:
www.whisperpower.eu.

2.3 Installation specifications M-SQ20 / 25

TECHNICAL DATA

Dimensions incl. sound shield.	126 x 68 x 80 cm (L x W x H)
Dimensions w/o. sound shield.	115 x 60 x 75 cm (L x W x H)
Weight incl. sound shield	580 kg
Weight w/o. sound shield	480 kg
Max. operation angle	25°
Remote panel 15 m cable	Digital Diesel Control System
Battery capacity min.	120 Ah
Fuel consumption	1 – 6 l/hr, load dependent
Lift fuel pump	Mechanical driven; manually priming; lift 1m
Cooling	Indirect cooling
Cooling pump	WhisperPower self priming impeller pump, PTO driven, type M16
Minimum water supply	20-25 l/min
Alternator	synchronous brushless, maintenance free water cooled
Voltage regulation	AVR
Output power at power factor $\cos \phi = 1$	25kW, 230V or 230/400V 50Hz
Battery charger	alternator including regulator (50 Amps)

2.4 Specifications of the accessories

Water scoop	1" = 25,4 mm
Inlet valve	1" in / 25,4 mm out
Water strainer	25,4 mm in, 25,4 mm out
Air vent	25,4 mm
Inlet suction hose	25,4 mm
Fuel filter/water separator	30 micron
Fuel inlet and return	8 mm
Exhaust hose	Ø 63 mm inner
Water lock	Ø 63 mm
Water/gas separator	Ø 63 - 51 - 63 mm
Anti vibration mounts	Included, art. nr. 50230552

2.5 Installation materials M-SQ20 / 25

WATER INLET KIT 1" (25 mm)

no	qty	article no	description	dimensions
1	1	50230053	Intake strainer	1"
2	1	50230043	Lever operated ball valve FF	1"
3	1	50221010	Male hose connection	1"x25
4	4	50221503	Hose clamps	26-38 mm
5	3	50220050	Outboard cooling water hose	25x33 mm
6	2	50221008	Male hose connection	3/4x25
7	1	50230061	Nickel plated brass intake strainer	3/4
TOTAL		40230221	WATER INLET KIT 25 mm	

SYPHON BREAKER KIT 1" (25 mm)

no	qty	article no	description	dimensions
4	7	50221503	Hose clamps	26 - 38 mm
5	3	50220050	Outboard cooling water hose	25 x 33 mm
11	2	50221083	Bend male type with hose connection	3/4
12	1	50221043	TEE fittings	3/4
12	1	50221102	Straight reducer	3/4 x 1/2
13	1	50230001	Syphon breaker valve	1/2
11	2	50221008	Male hose connection	3/4 x 25
14	1	50221001	Male hose connection	3/8x13
15	1	50221521	Hose clamps	12-20 mm
16	1,5	50220055	Outboard cooling water hose	12x18,2 mm
TOTAL		40230222	SYPHON BREAKER KIT 25 mm	

EXHAUST KIT 63 mm

no	qty	article no	description	dimensions
22	5	50221542	Hose clamps HD	63-75 mm
23	3	50220036	Marine exhaust hose	63 mm
24	1	50230073	Waterlock	63 mm
25	1	50230036	Brass through hull fitting	2 ½ x 122
26	1	50221012	Male hose connector	2 ½ x 63
27	1	50221098	Brass straight coupling FF	2 ½
28	1	50221078	Brass elbow FF	2 ½
TOTAL		40232203	EXHAUST KIT 63 mm	

OPTIONAL INSTALLATION MATERIALS

no	qty	article no	description	dimensions
21A	1	50230087	Elbow 45° adapter exhaust hose	63 mm
22	2	50221542	Hose clamps HD	63-75 mm

**WATER SEPARATOR KIT 63 mm**

no	qty	article no	description	dimensions
21	2	50221541	Hose clamps HD	51-63 mm
22	2	50221542	Hose clamps HD	63-75 mm
23	2.5	50220036	Marine exhaust hose	63 mm
40	1.5	50220035	Marine exhaust hose	51 mm
31	1	50221020	Male hose connection	1 1/2 x 51
32	1	50230045	Lever operated ball valve FF	1 1/2
33	1	50230034	Brass through hull fitting	1 1/2x70
34	1	50230082	Water exhaust fumes seperator	63-51-63
TOTAL		40230224	WATER SEPARATOR KIT 63 mm	

FUEL KIT

no	qty	article no	description	dimensions
41	2	50221203	Straight coupling	8 mm
42	1	50230090	Fuel strainer/water seperator	M14x1,5 mm
43	2	50221618	Parallel male stud coupling	M14 - 8 mm
44	2	50221644	Reducing male nipple	M14-M16 60 gr.
45	2	50221615	Hose connection	8 mm
46	2	50221616	Nut coupling	M16x1,5 mm
47	1	50221252	Nipple hose pipe	8 mm
48	4	50221522	Hose clamps	10-16 mm
49	2	50221632	Gasket ring	14x20x1,5 mm
TOTAL		40230205	FUEL KIT	

OPTIONAL INSTALLATION MATERIALS

no	qty	article no	description	dimensions
50	1	50222020	copper fuel pipe	6x8 mm
51	1	50220063	fuel hose	8x16 mm

BATTERY INSTALLATION KIT 120 Ah

no	qty	article no	description	dimensions
51	1	64001200	Battery	120Ah
52	1	43011000	battery charger IVO SMART 12/10	
53	1	68060100	battery terminal +	M8
54	1	68060200	battery terminal -	M8
55	1	68456902	isolation cap	
56	1	68456914	isolation cap	
57	1	79009005	battery switch	250 Amp
58	4	6503003508	cable connectors	M8x35
TOTAL		40230226	BATTERY INSTALLATION KIT 120 Ah	

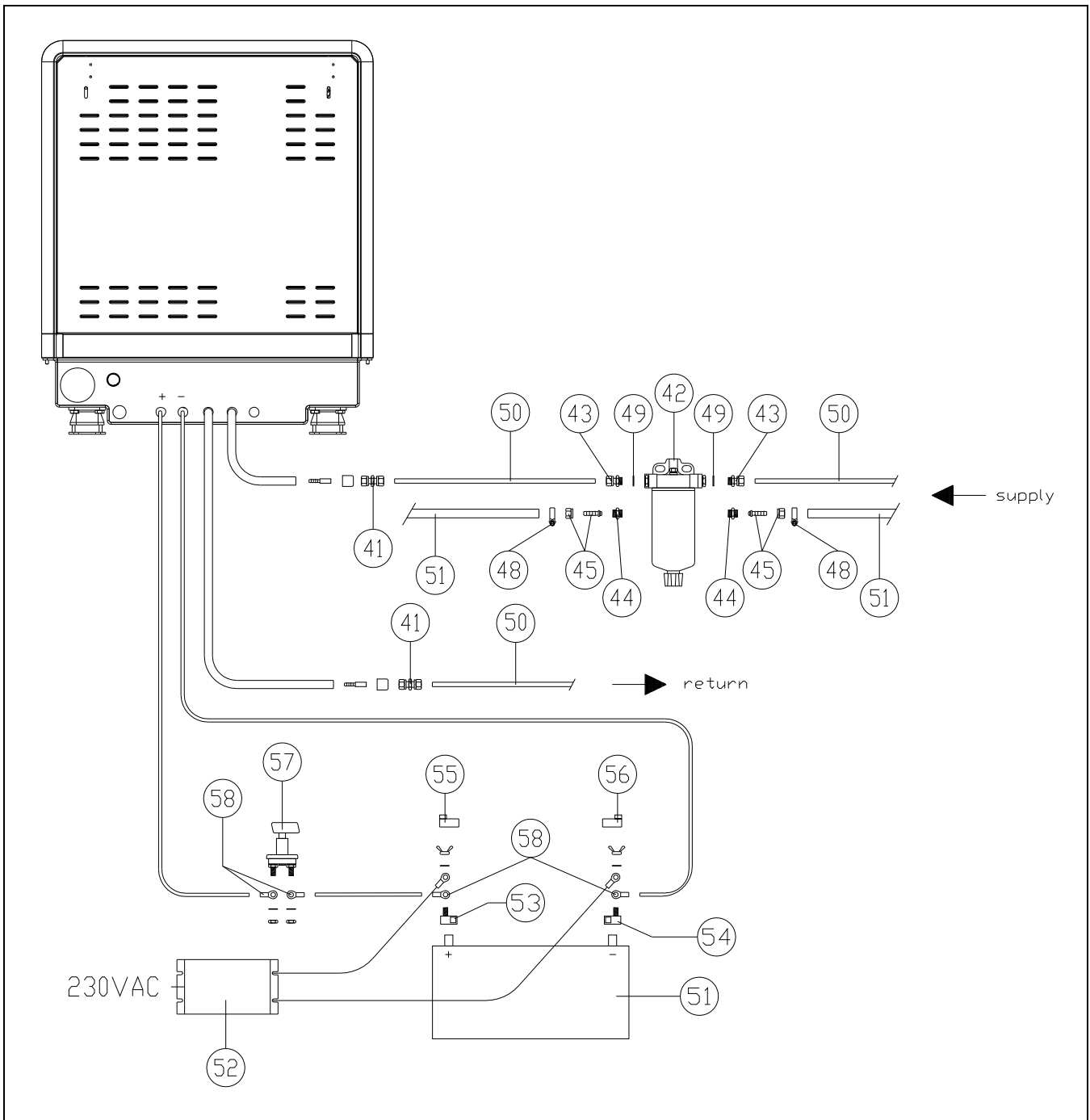


Fig. 20 Installation materials battery and fuel

Included are all fittings to fit copper pipes 8 mm outer diameter or rubber fuel hoses 8 mm inner diameter, or both

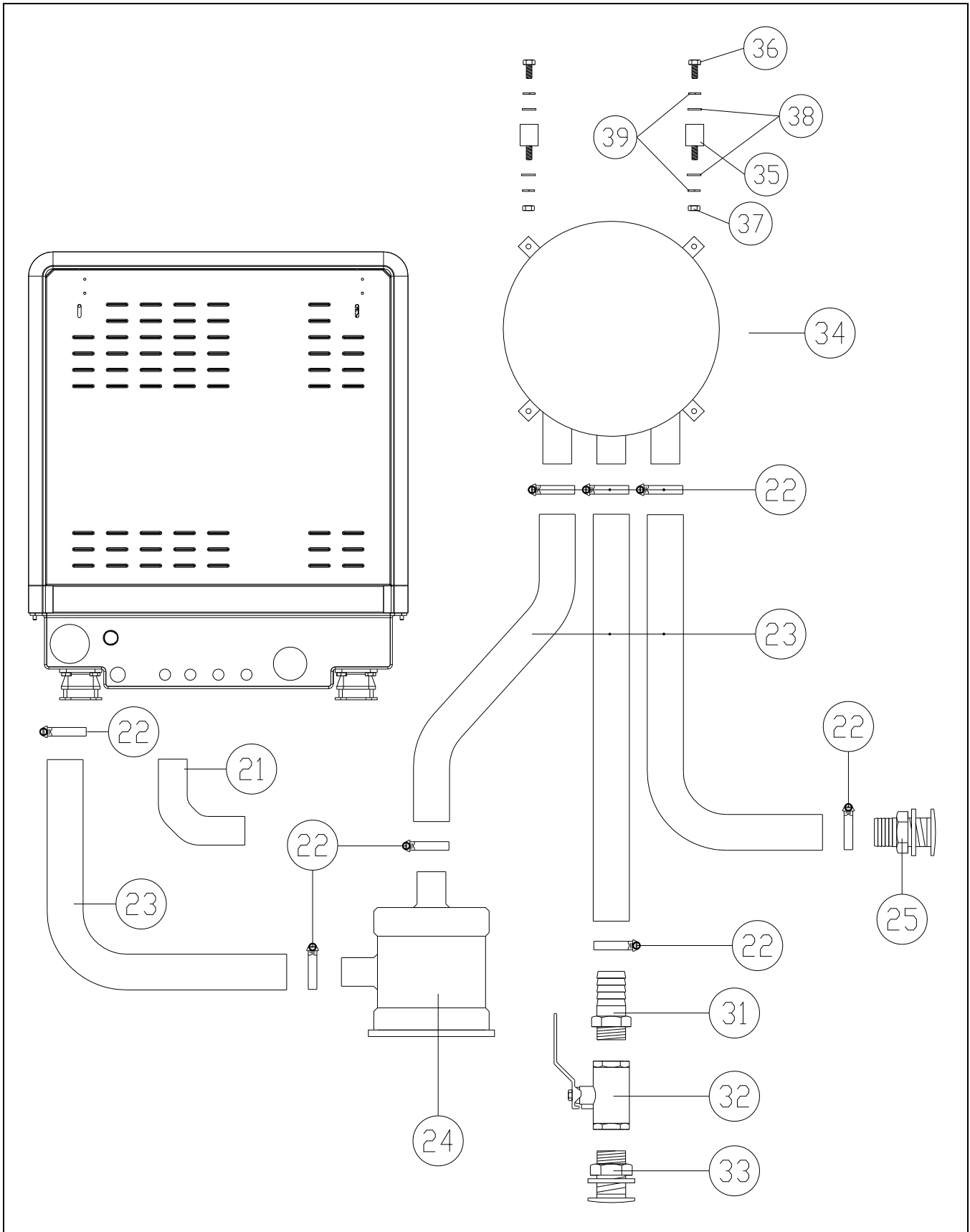


Fig. 21 Installation materials exhaust

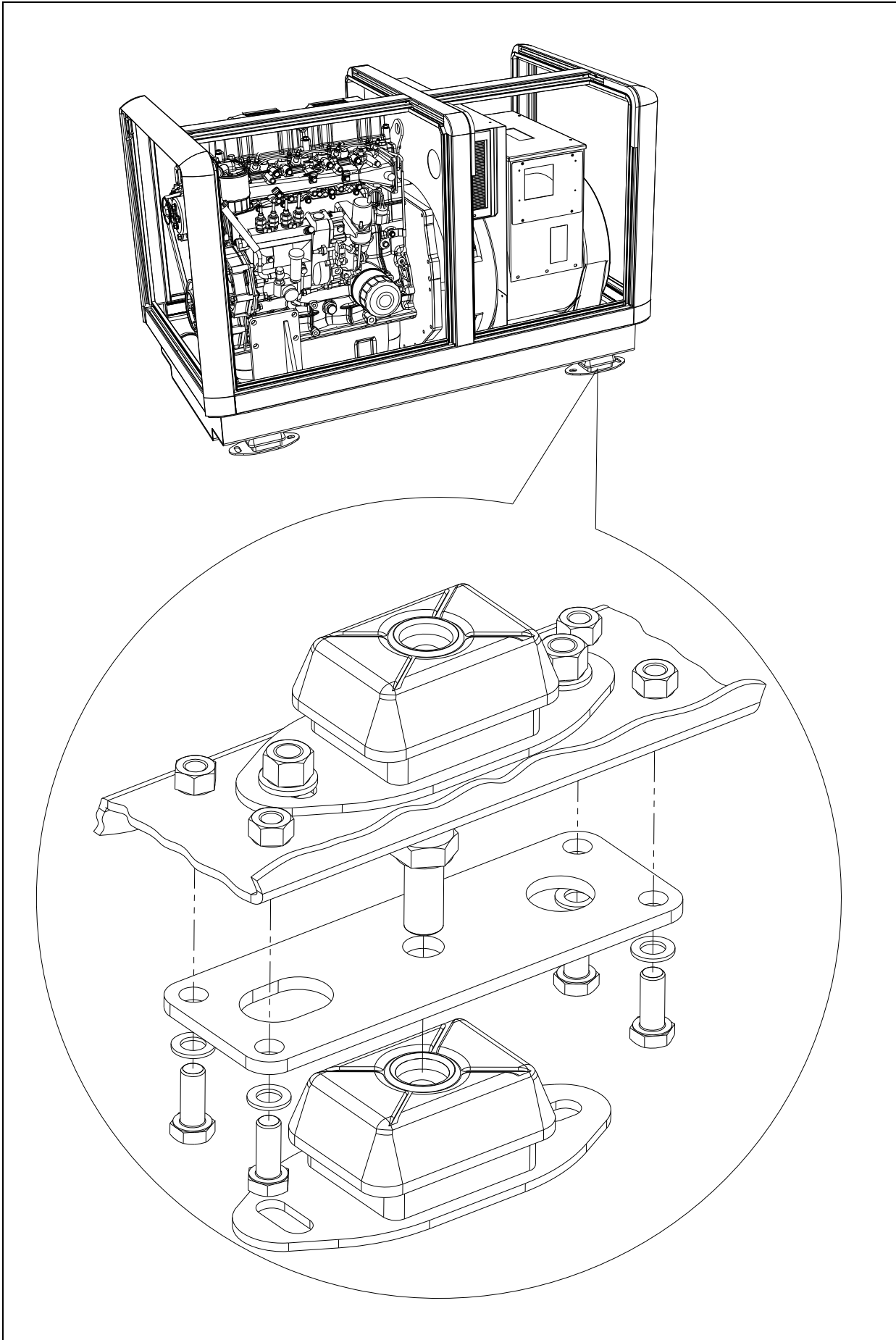


Fig. 22 Installation materials rubber mounting kit

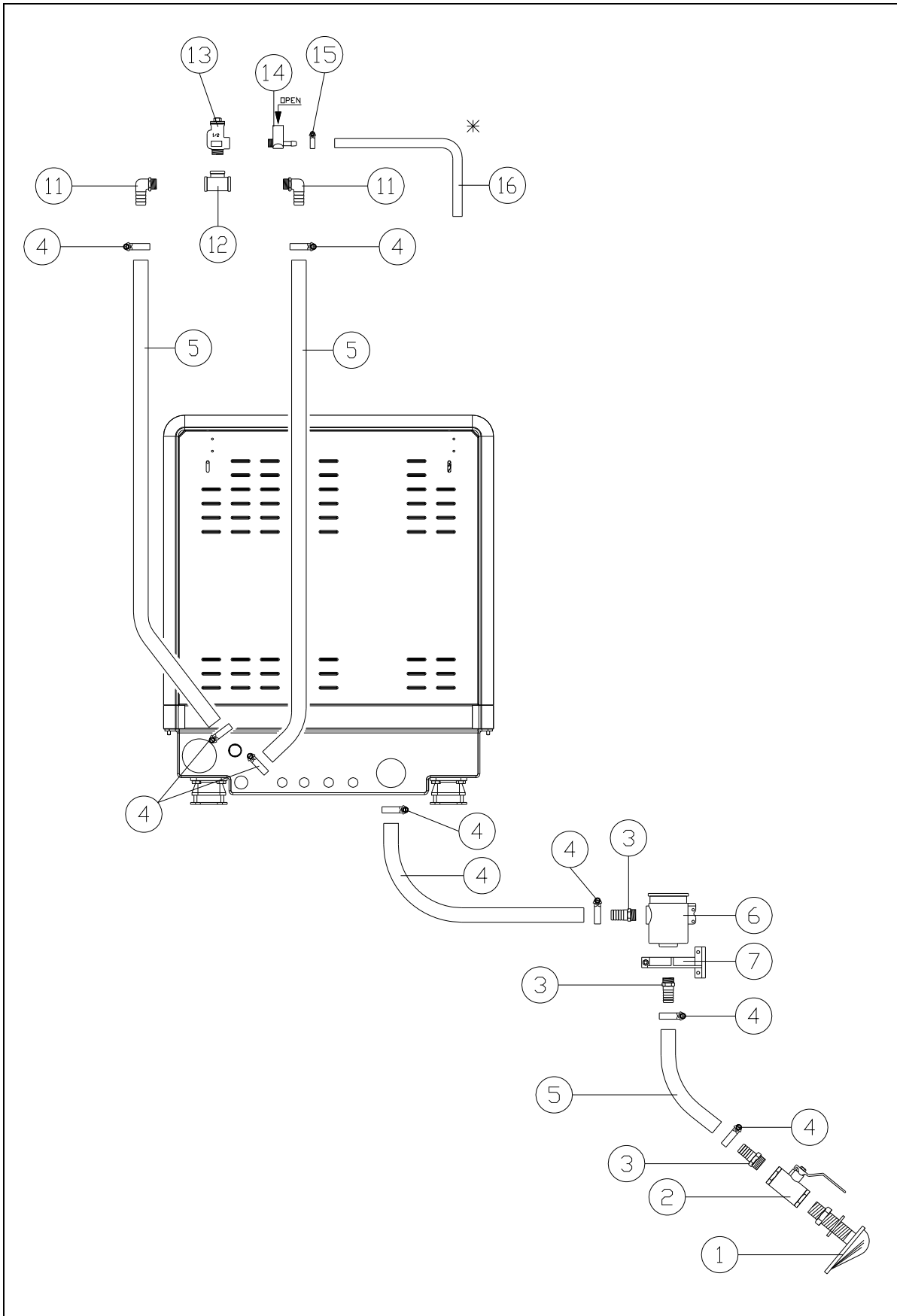


Fig. 23 Installation materials water inlet and air vent

* Hose drain should go downwards. Water must flow out freely. Refer to installation manual for proper installation air-vent kit. Faulty installation can cause serious problems

3 DIAGRAMS & DRAWINGS

3.1 DC wiring diagram

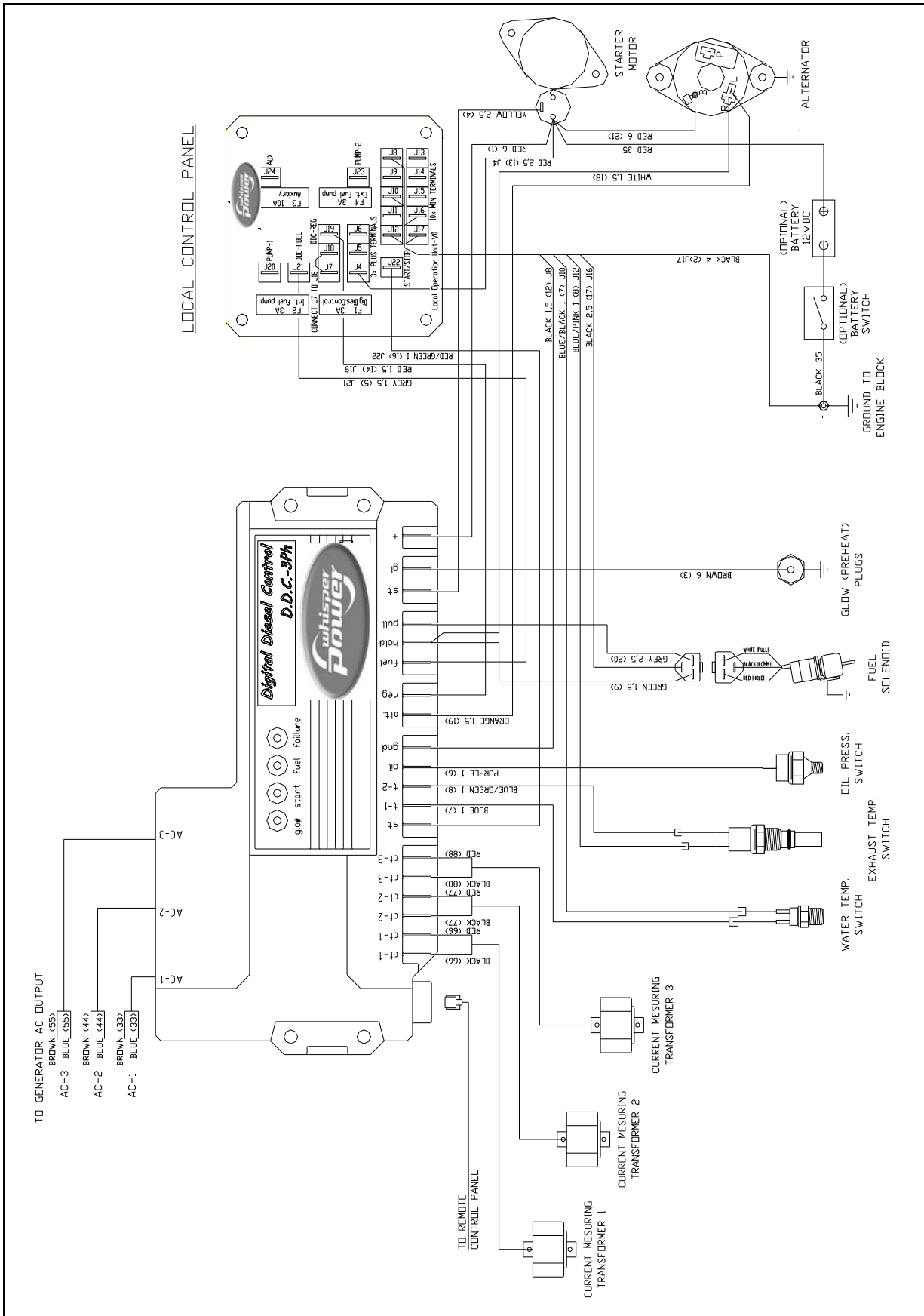


Fig. 24 DC wiring diagram M-SQ20 / 25

3.2 Terminal modes M-SQ20 / 25 115V / 400V 50Hz

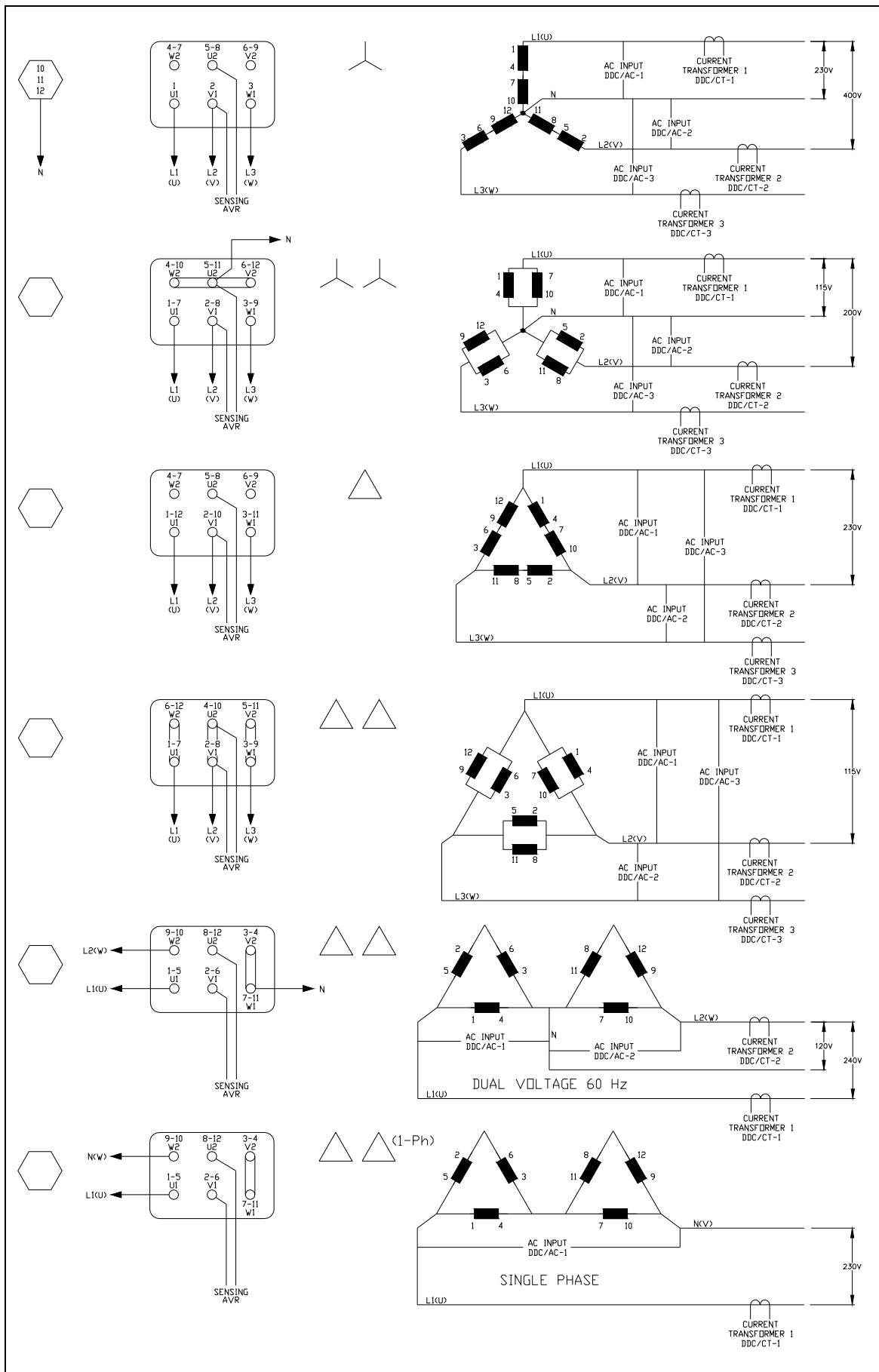


Fig 25 Terminal modes 25U 115V-400V 50Hz

3.3 AC wiring diagram Tri-Phase with AVR 230V / 400V 50Hz (Star)

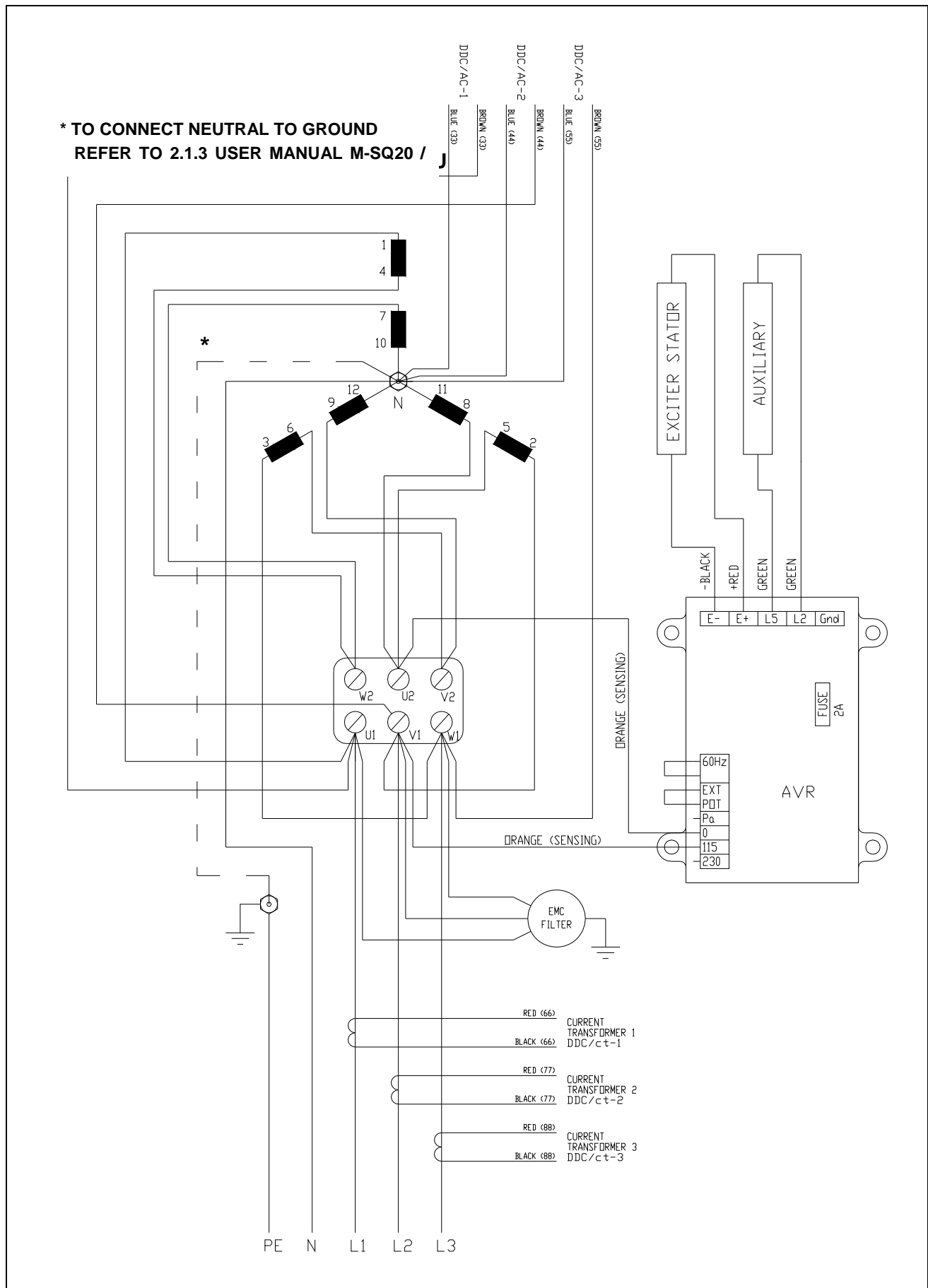


Fig 26: AC wiring diagram Tri-Phase with AVR 230V / 400V 50Hz (Star)

3.4 AC wiring diagram Single Phase with AVR (Double Delta)

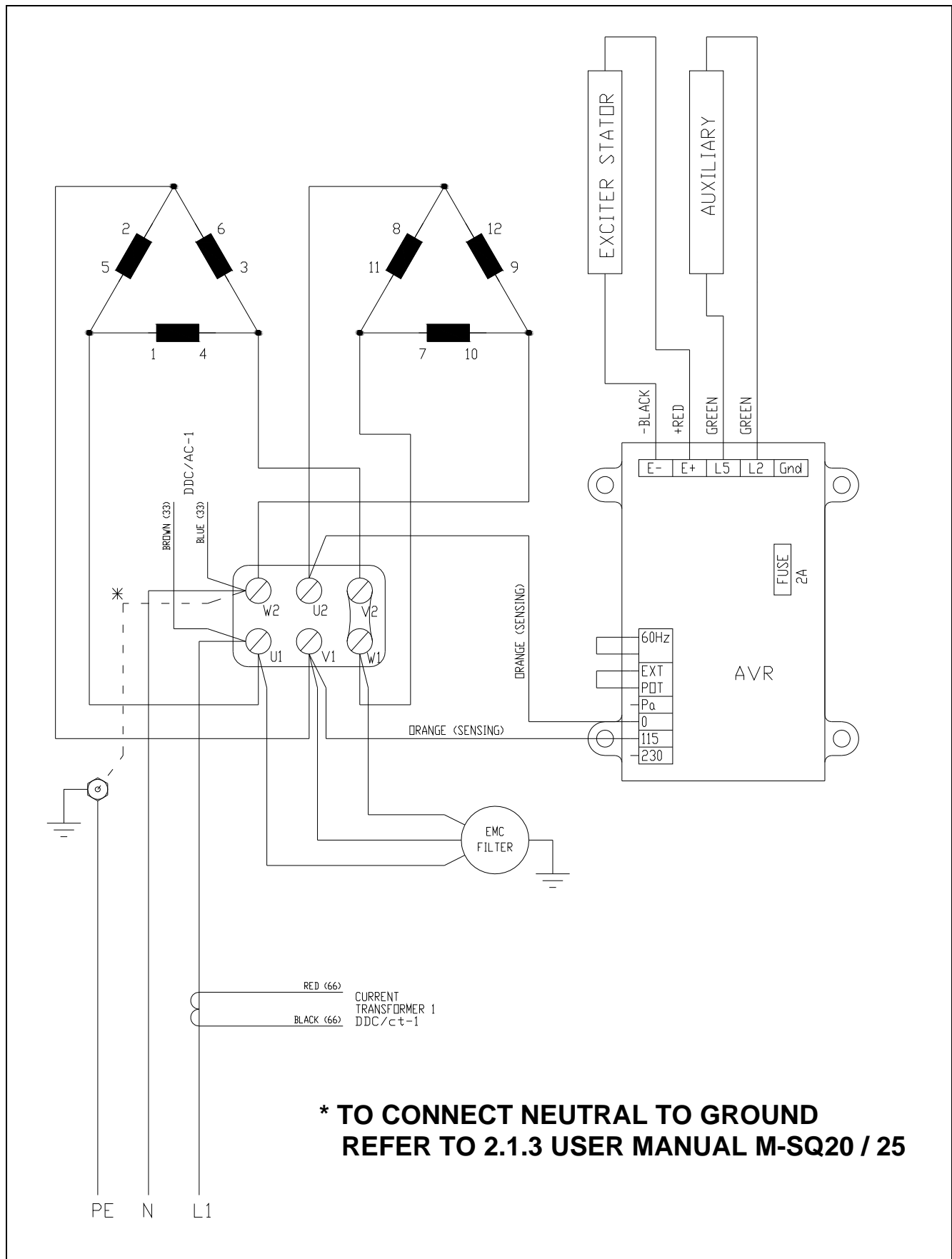


Fig 27: AC wiring diagram Single Phase with AVR (Double Delta)

3.5 WhisperPower remote panel

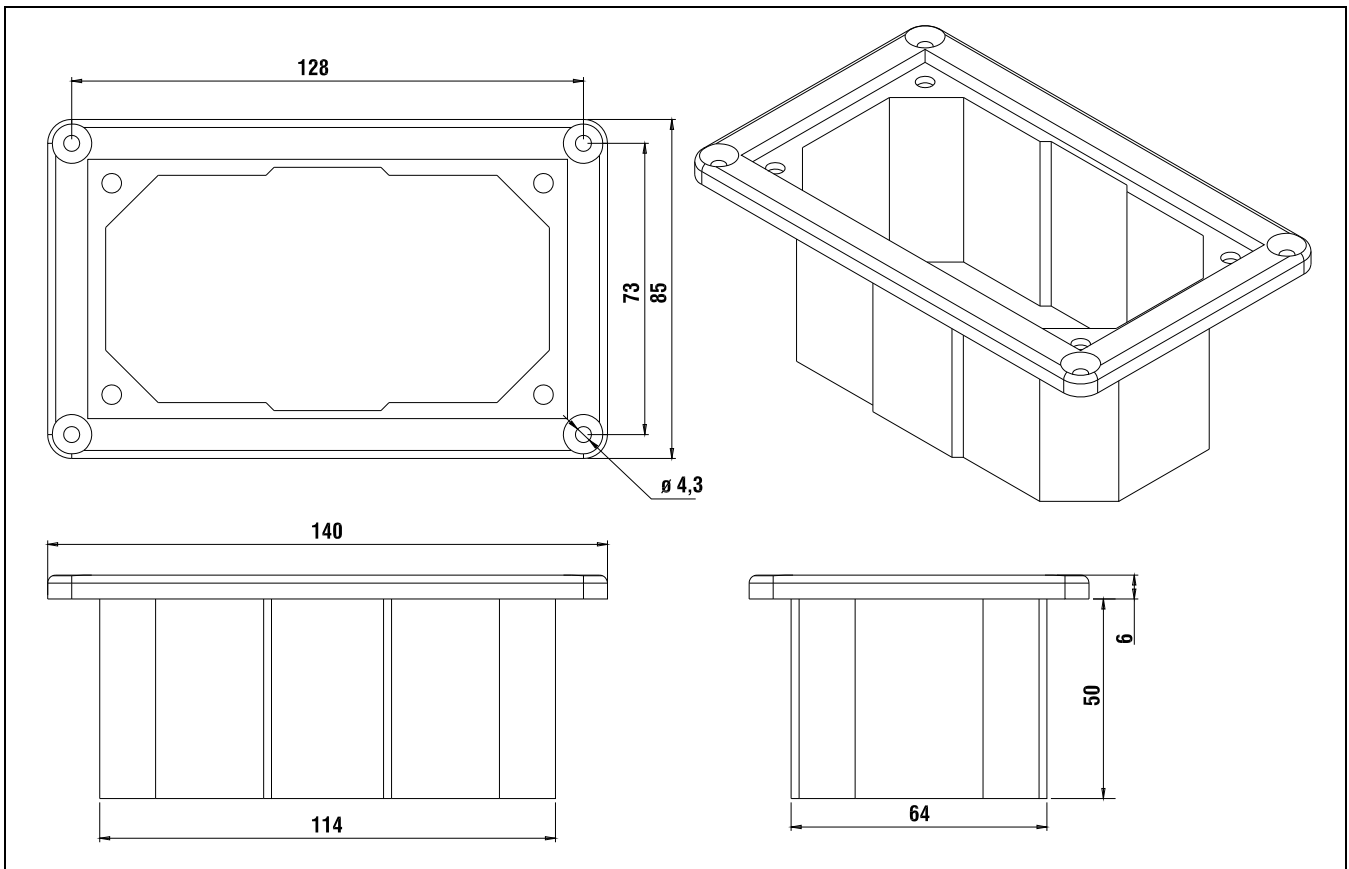


Fig. 29: WhisperPower remote panel

The remote panel comes in a carton that can be used as a template to drill the mounting hole

3.6 M-SQ20 / 25 dimensions and footprint

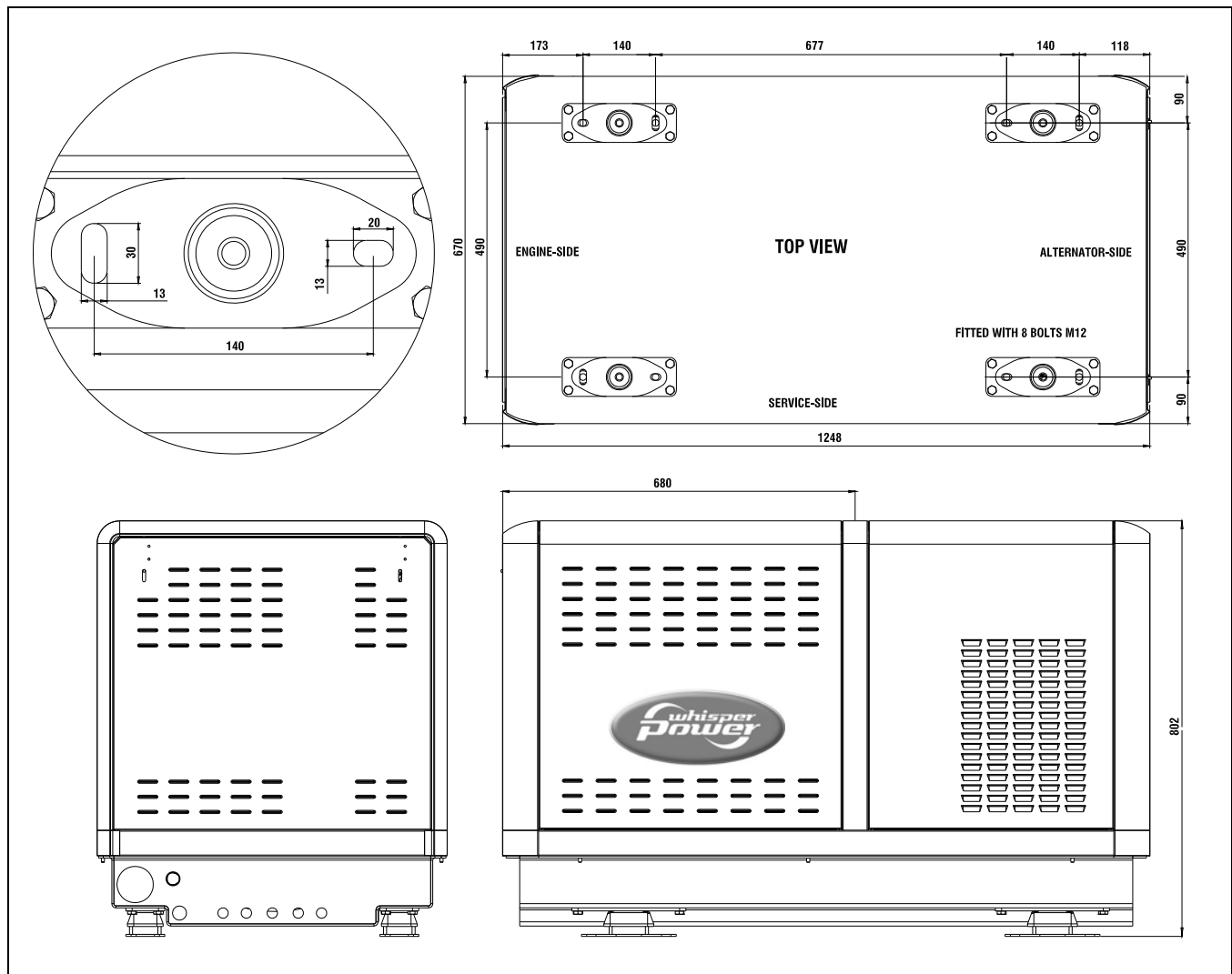


Fig. 30: M-SQ20 / 25 dimensions and footprint

CONNECTIONS M-SQ20 / 25:

• exhaust:	63 mm 2 1/2"
• fuel hose:	8 mm
• water inlet:	25 mm (1")
• battery +:	35 mm ²
• battery -:	35 mm ²

POWERCABLES

• M-SQ20 / 25 230V single phase (108 Amps)	3x25 mm ² (not included)
• M-SQ20 / 25 230/400V 3 phases (3x 36Amps)	5x6 mm ² (not included)

REMOTE CABLE (ALL MODELS)

- 8 wire communication cable, 15 meter (included).

For longer lengths (max. 30 m), refer to WhisperPower service department

DIMENSIONS M-SQ20 / 25

	Incl. sound canopy	Without sound canopy
• length	126 cm	115 cm
• width	68 cm	60 cm
• height	80 cm	75 cm
• weight	580 kg	480 kg



NOTES:



Kelvinlaan 82, 9207 JB Drachten, Netherlands
Tel : + 31-512-571550 / Fax : + 31-512-571599
www.whisperpower.eu / info@whisperpower.nl