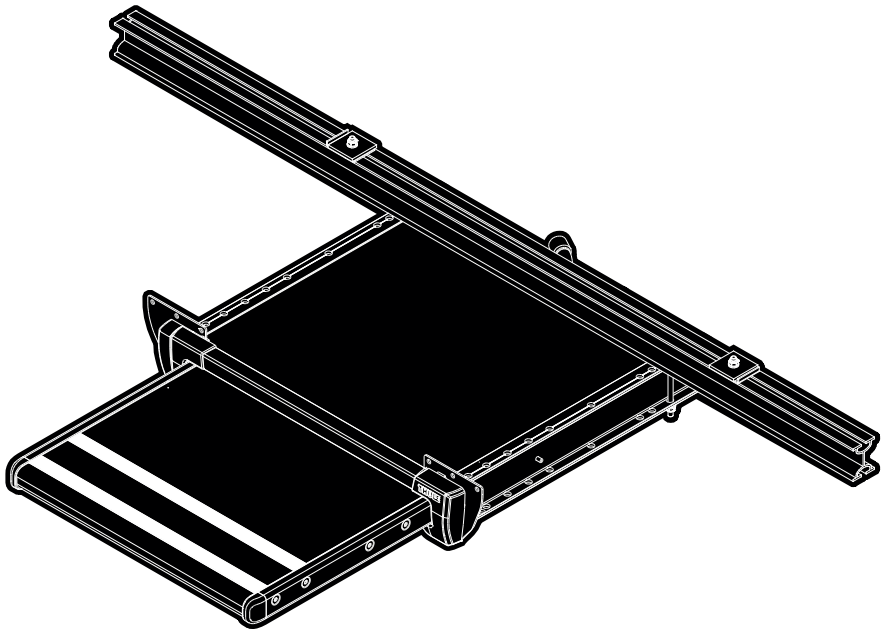


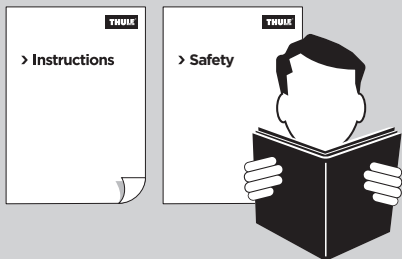
INSTALLATION

> Instructions

Thule SlideOut G2 12V Master

301882

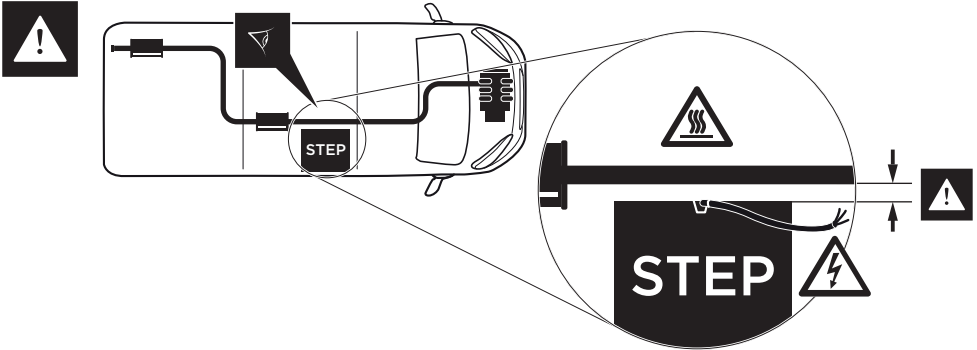
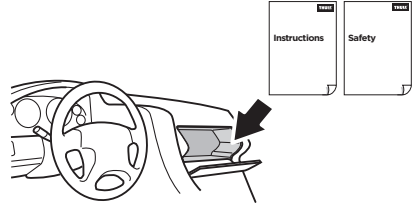
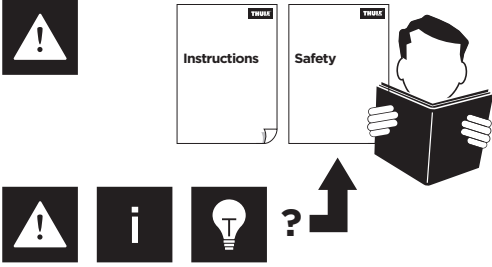




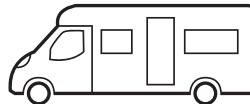
DE	Trittstufen - Bedienungsanleitung
NL	Opstaptrade - Gebruikershandleiding
FR	Marchepieds - Instructions d'utilisation
IT	Gradini - Istruzioni per l'uso
ES	Escalones - Manual de usuario
SV	Fotsteg - Användarmanual
FI	Astinlaudat - Käyttöohje
DA	Trapper - Brugermanual
NO	Trapper - Brukerhåndbok
PL	Stopnie - Instrukcja obsługi

1	WARNINGS & INFO	4
	Warnungen & Info / waarschuwingen & info / avertissements et informations / avvertimenti e informazioni / advertencias e información / varningar & info / varoitukset ja tiedot / advarsler og info / advarsler og info / ostrzeżenia i informację	
2	CONTENT	5
	Inhalt / inhoud / contenu / contenuto / contenido / innehåll / sisältö / indhold / innhold / zawartość	
3	TOOLS	5
	Werkzeuge / gereedschappen / outils / strumenti / herramientas / verktyg / työkalut / værktøjer / verktøy / narzędzia	
4	INSTALLATION	6
	Installation / installatie / installation / installazione / instalación / installation / asennus / installation / instalasjon / instalacja	
5	ELECTRICAL INSTALLATION	12
	Elektroinstallation / Elektrische installatie / Installation électrique / Installazione elettrica / Instalacion electrica / Elektrisk installation / Sähköinen asennus / Elektrisk installation / Elektrisk installasjon / Instalacja elektryczna	
6	ACCESSORIES	17
	Zubehör / accessoires / accessoires / accessori / accesorios / tillbehör / tarvikeet / tilbehør / tilbehør / akcesoria	

1 WARNINGS & INFO

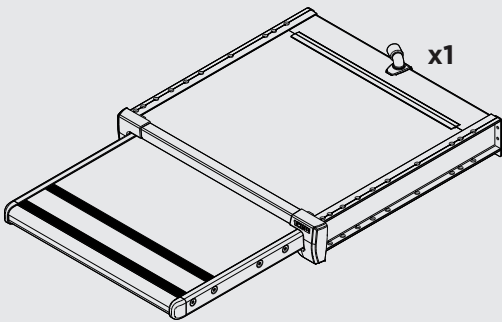


EN 1645-1



EN 1646-1

2 CONTENT



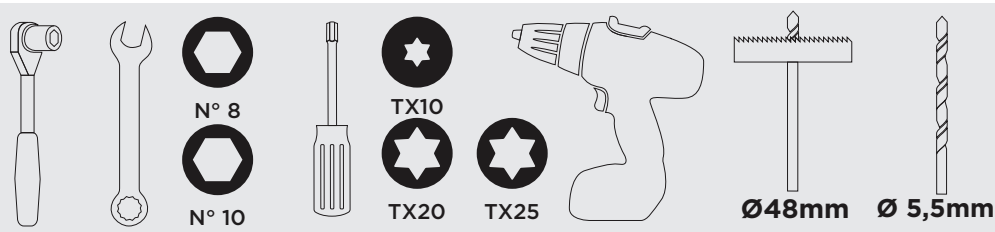
- x4**
5,5 x 25 mm
DIN 7981 - TX25
A2
- x4**
M6
DIN 125
A2
- x6**
M5 x 16 mm
DIN 7985 - TX
A2
- x4**
M6
DIN 985
A2
- x2**
M6 x 80 mm
DIN 603
A2
- x6**
M5
DIN 985
A2
- x2**
M6 x 20 mm
DIN 603
A2
- x2**
[Square plate]

- x1** [L-shaped bracket]
- x2** [Square plate]
- x2** [Square plate]
- x2** [Cylindrical pins]
- x1** [Long metal bar]
- x2** [Washer]
- x2** [Washer]
- x2** [Screw]
- x2** [Washer]
- x2** [Screw]

OPTIONAL

- x4**
F4,8 x 0,8 mm
- x4**
2,9 x 9,5 mm
DIN 7981 - TX10
A2
- x1** [Square plate with hole]
- x1** [Square plate with hole]

3 TOOLS

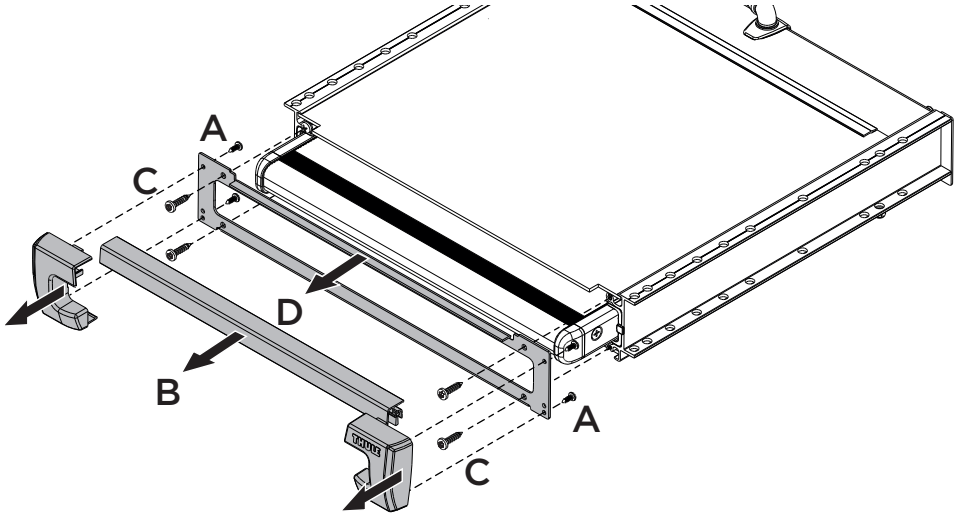


4 INSTALLATION

1



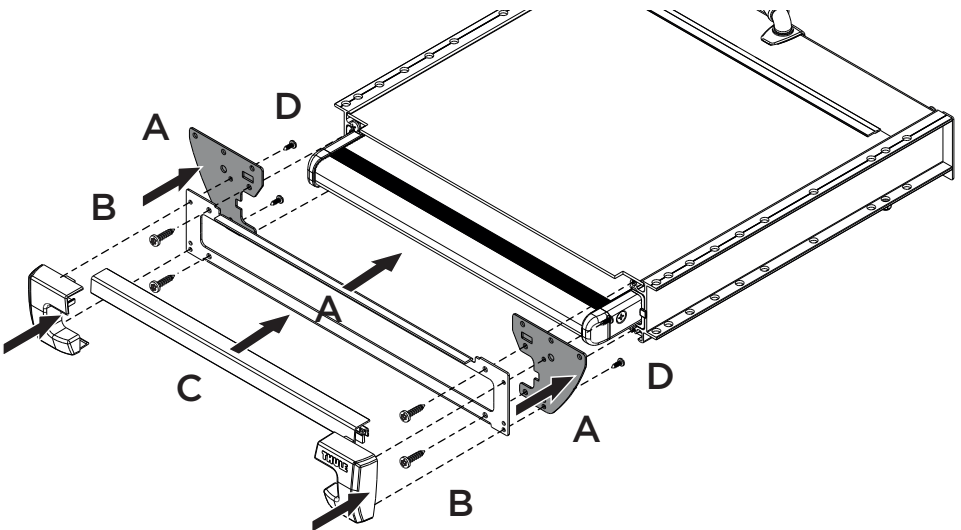
TX20 TX25



2



TX20 TX25



3



x2



x2



x2



x2



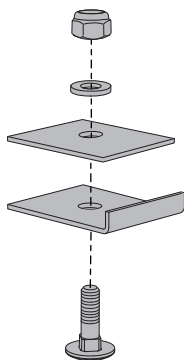
x2



N° 10

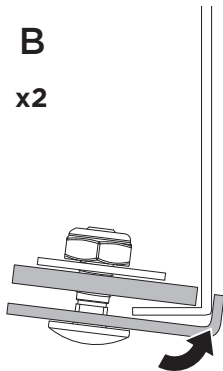
A

x2



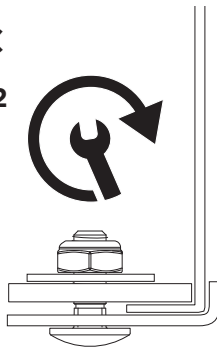
B

x2



C

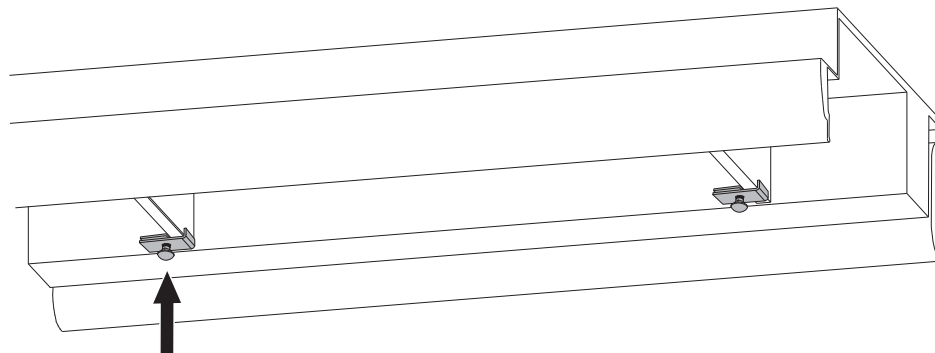
x2



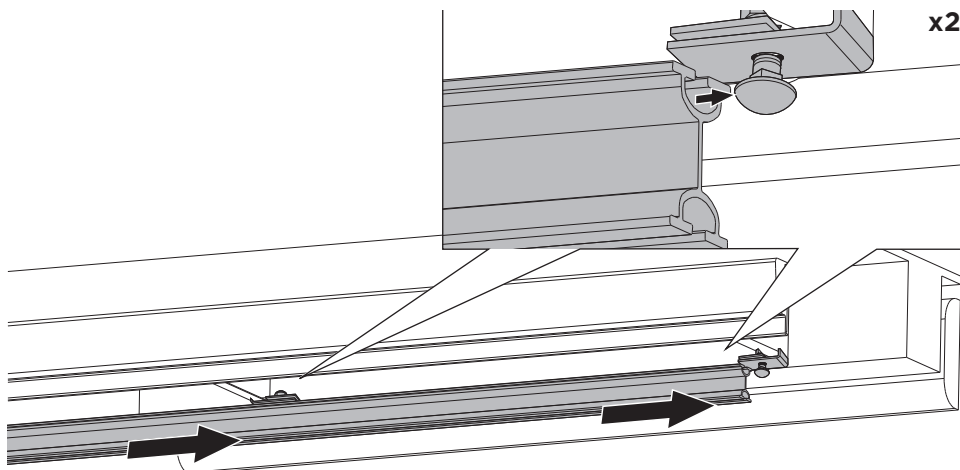
Renault Master < 2010



Renault Master > 2010



4



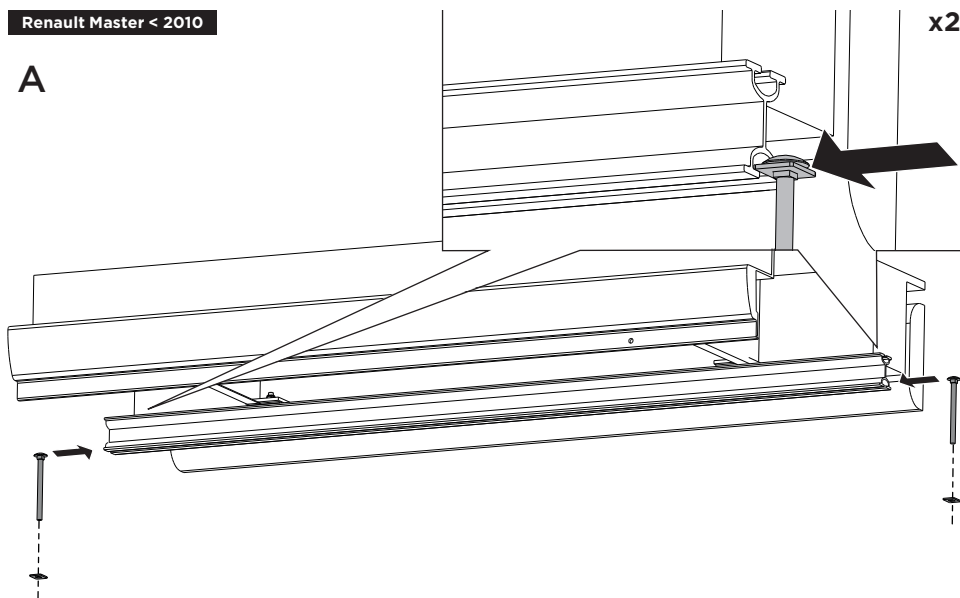
5



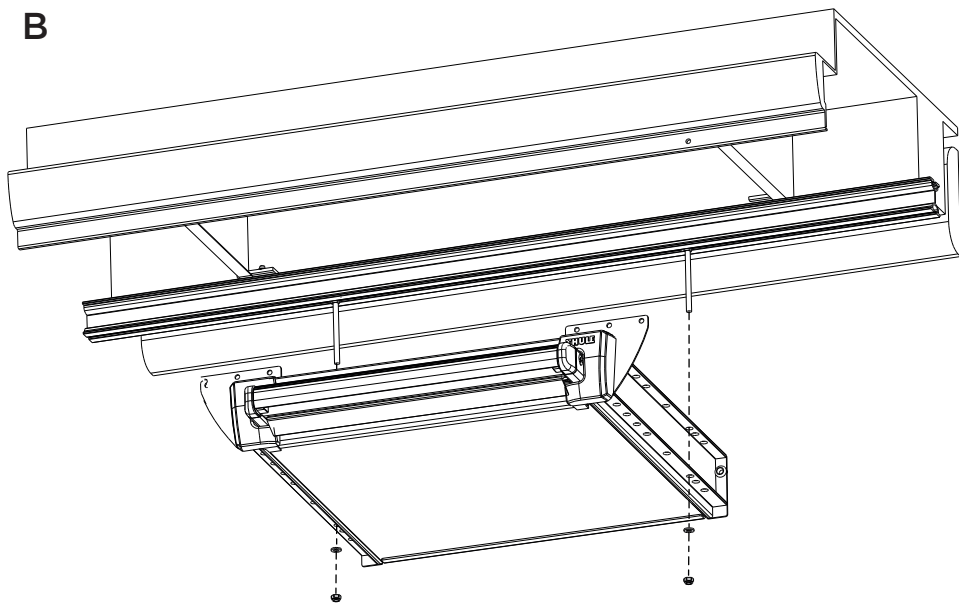
N° 10

Renault Master < 2010

A



B

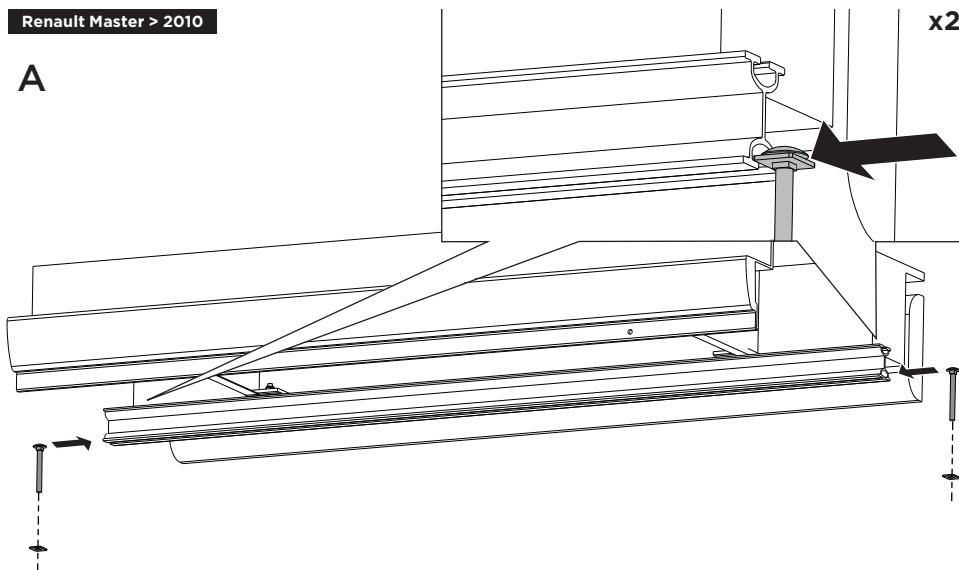


6

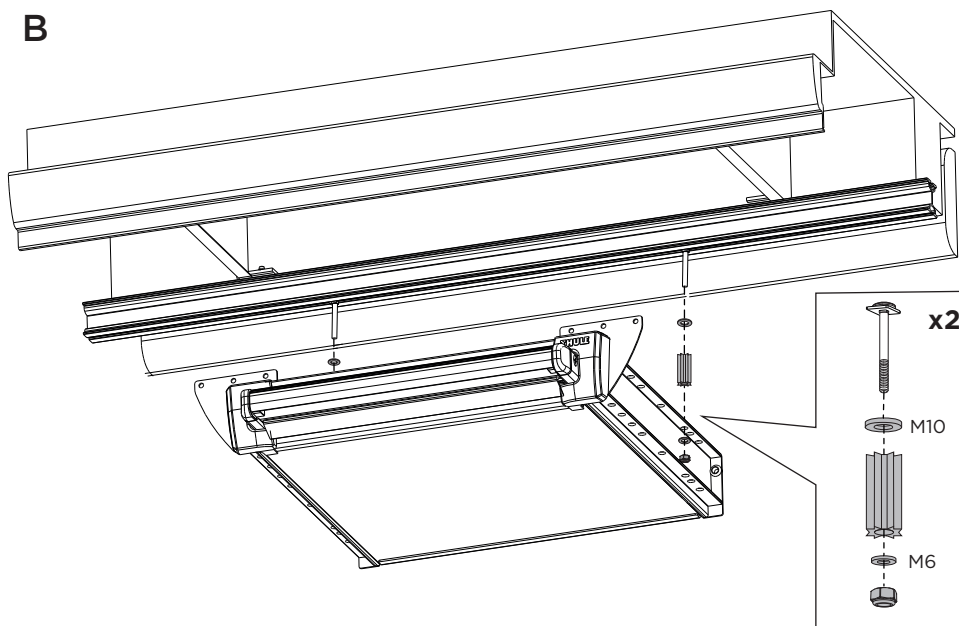


Renault Master > 2010

A



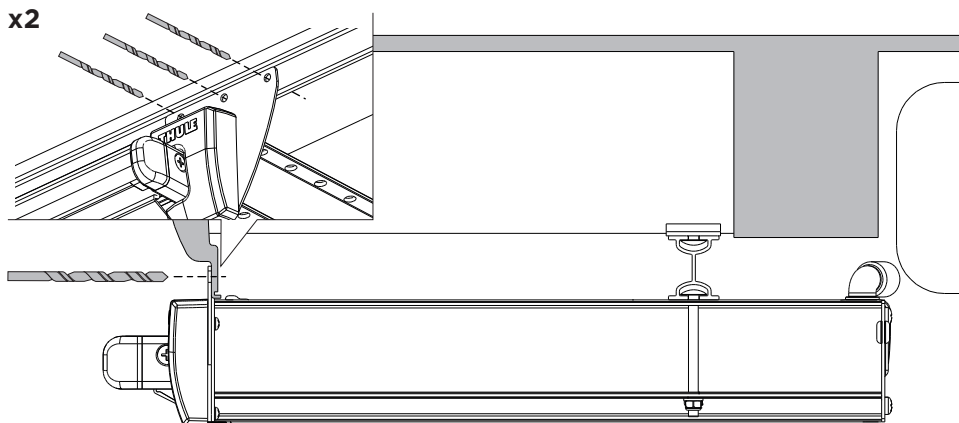
B





7



Ø 5,5 mm

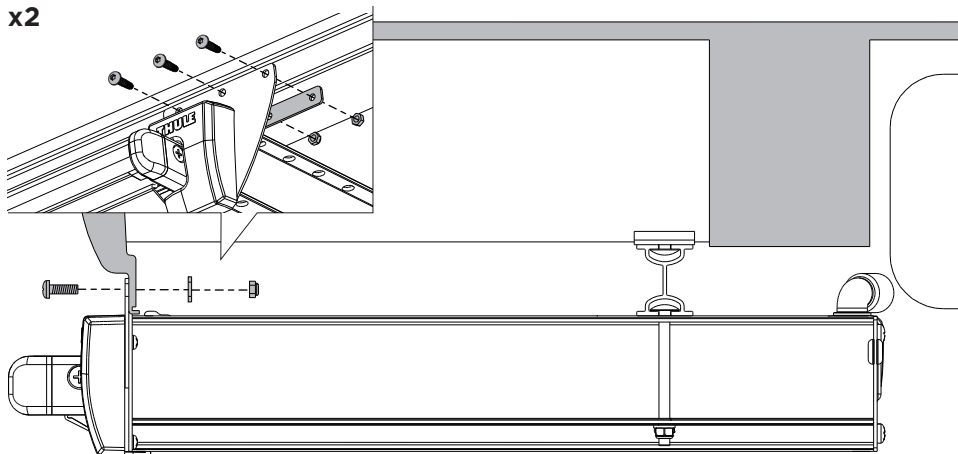


8

 x6  x6  x6

 TX25   N° 8

x2



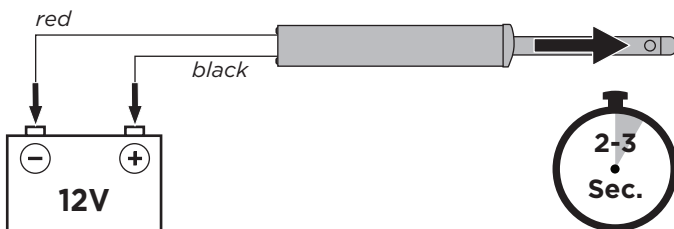
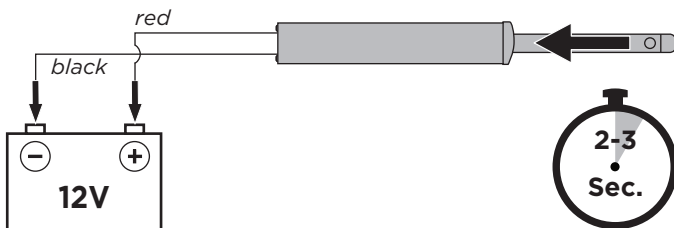
5 ELECTRICAL INSTALLATION

i



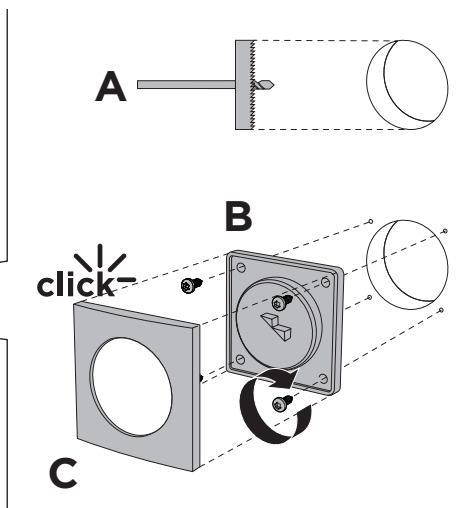
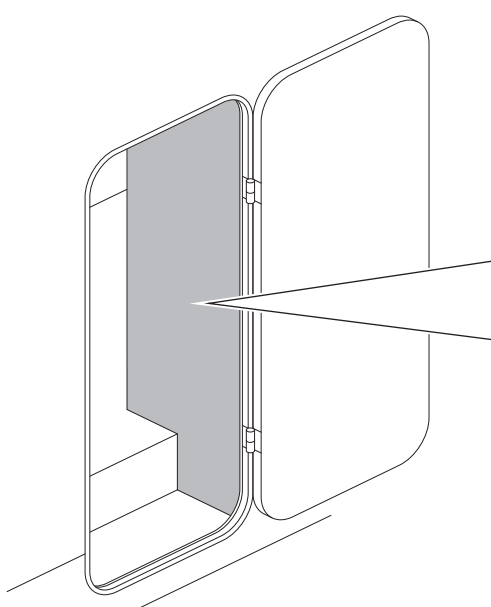
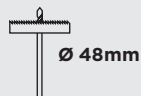
**RED/ROT/ROOD/
ROUGE/ROSSO/ROJA/
RÖD/PUNAINEN/RØD/
RØD/CZERWONY**

**BLACK/SCHWARZ/
ZWART/NOIR/NERO/
NEGRO/SVART/
MUSTA/SORT/SVART/
CZARNY**

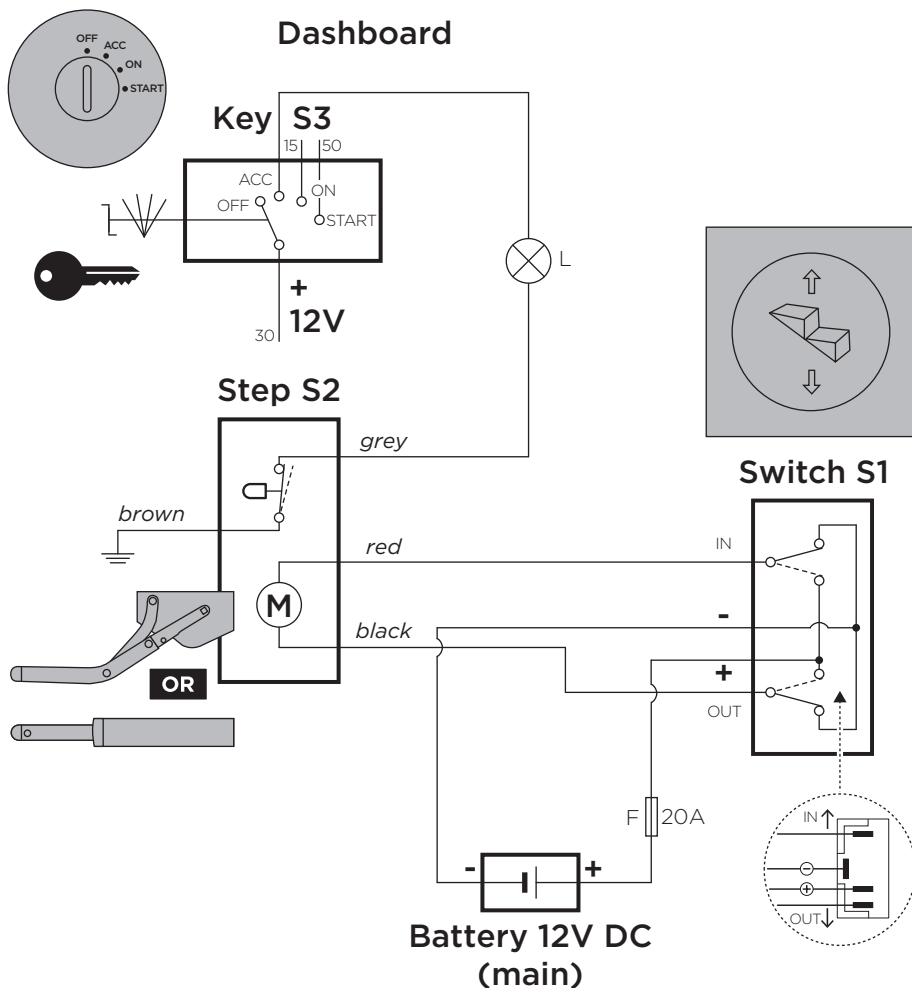


1

OPTIONAL



THULE STEP with WARNING LAMP (or BUZZER)



**BLACK/SCHWARZ/
ZWART/NOIR/NERO/
NEGRO/SVART/
MUSTA/SORT/SVART/
CZARNY**

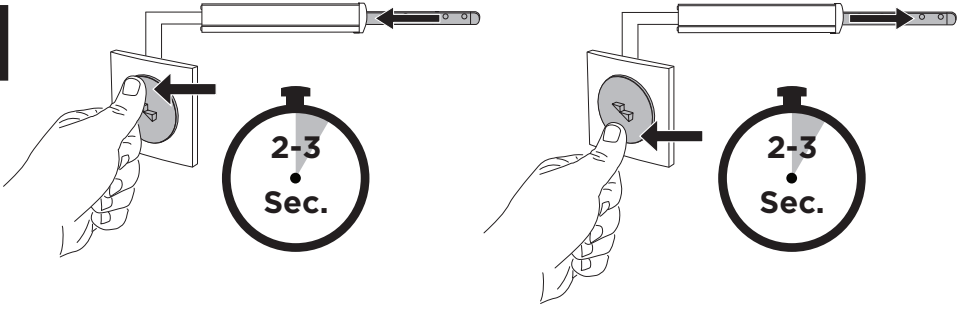
**GREY/GRAU/GRIJS/
GRISE/GRIGIO/GRIS/
GRÅ/HARMAA/GRÅ/
GRÅ/SZARY**

**RED/ROT/ROOD/
ROUGE/ROSSO/ROJA/
RÖD/PUNAINEN/RØD/
RÖD/CZERWONY**

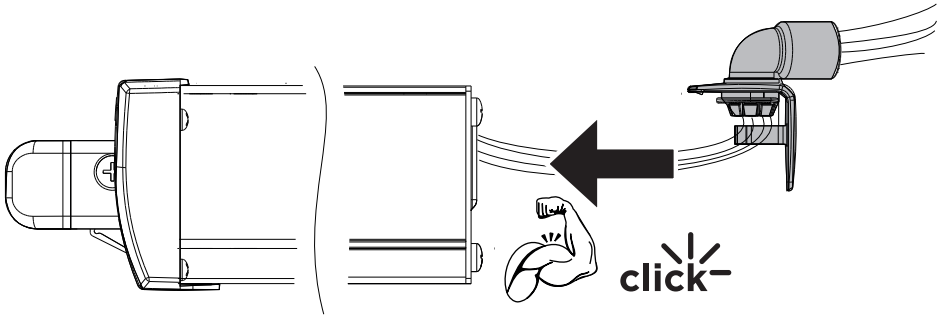
**BROWN/BRAUN/
BRUIN/MARRON/
MARRONE/MARÓN/
BRUN/RUSKEA/BRUN/
BRUN/BRAZOWY**

2

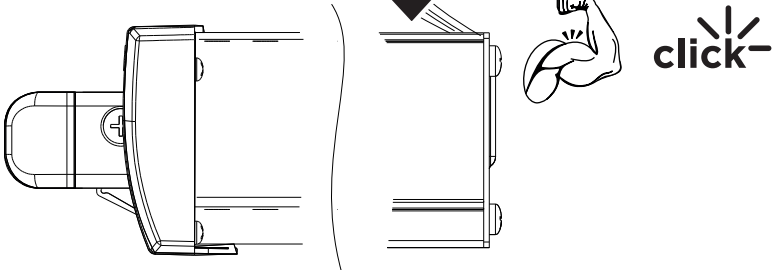
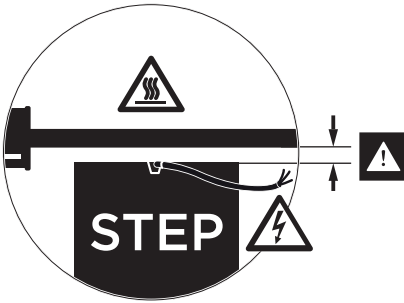
i



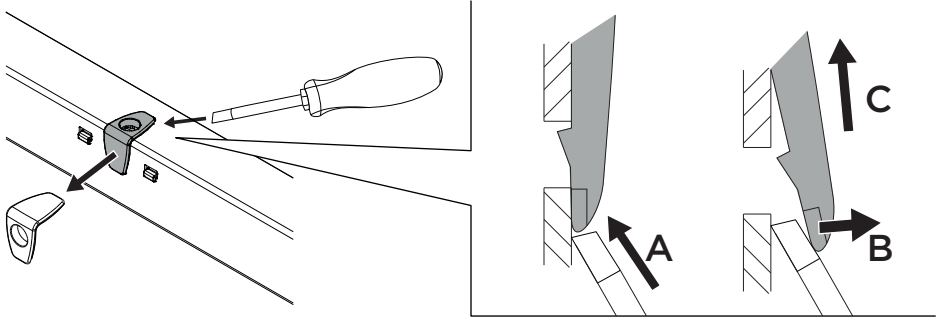
3



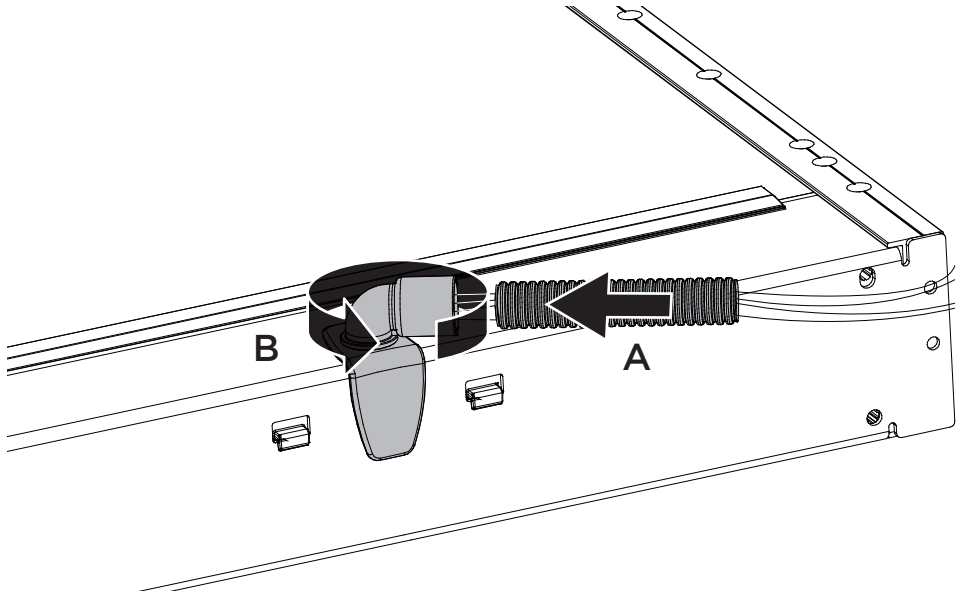
OR



i

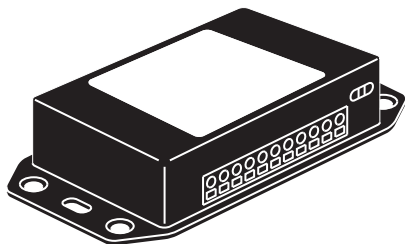


4



6 ACCESSORIES

Electronic control unit (308812)



Relay for Automatic retraction x10 (308200)

