

Subject: New raw water pumps for all Generators up to 15kW.

Improvements

- Higher capacity water flow, better performance of the generator
- New stainless steel cover plate
- Longer lifetime of the impellor
- Longer lifetime of the seals due to the mechanical seals
- All parts removable



Applicable

GV4 variable speed generators until SQ 16

Pump number identification

Article numbers new pumps 40201270 / 40201870 / 40201470

- 50201250/40201250/40201240 is replaced by 40201270
- 50201850 is replaced by 40201870
- 50201450 is replaced by 40201470



New pumps can be identified by the part number on the cover.

Spare parts of the old pump and new pump are not interchangeable. At the following pages you will find an overview of the spare parts numbers.

Read the following notes before installation and before starting of the generator:

- The pump has to be filled with water before starting of the generator
- Dry run of the pump will damage the mechanical seal and results in leaking sea water from the pump into the generator
- In case of high sucking heights, an anti-return valve is recommended to avoid dry running
- Pay special attention on the water intake, especially in case of high speed vessels
- No air locks should occur during operation of these pumps

Restriction of raw water flow, caused by kinked hoses, undersized pipes or connections, will reduce the engine cooling capability. This is the main cause for overheating of an engine. After running the generating set for the first time, check the coolant flow rate using a stopwatch and by holding a pail of a known volume under the wet exhaust outlet. The flow rate should be according to the data in the user's manual.

DAMAGE CAUSED BY THE INGRESS OF WATER IN THE ENGINE IS NOT COVERED BY GUARANTEE.

GENERATOR MODELS: GV4 / GV7i / SC3.5

Old pump, mounted on the following models

- Whisper 3500
- Whisper 3.5
- SC3.5 until December 2013
- First models (2010 & 2011) of the GV Basic



Old pump part No.: 50201250 / 40201240

Spares for these pumps are still available:

- 40209011 Impeller kit
- 40201251 A-kit Maintenance
- 40209010 B-kit Maintenance

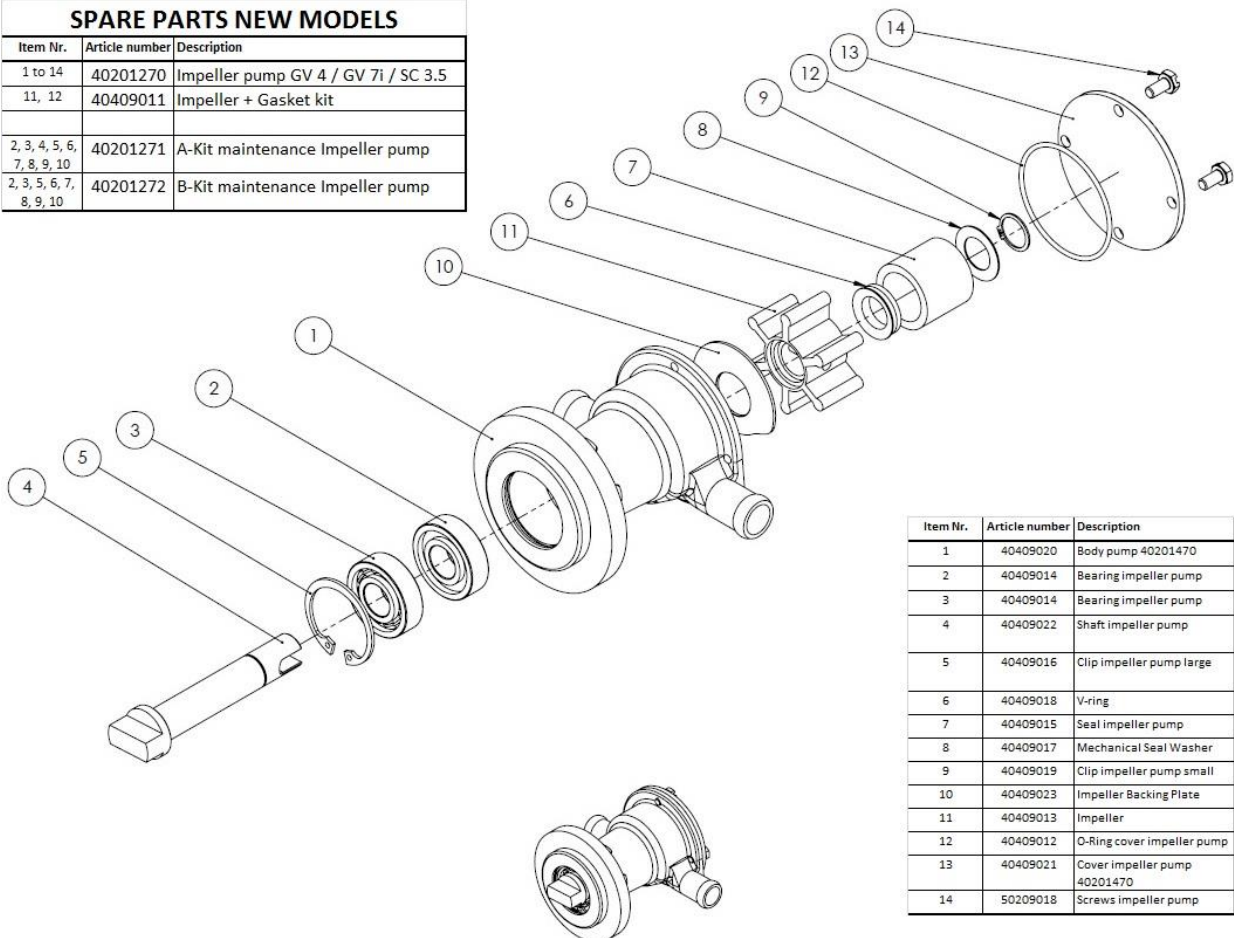
NEW MODEL, fits on above mentioned models.
Part number new pump: **40201270**

New pumps are recognizable, the part number is marked on the cover

The spare parts of new and previous pumps are not interchangeable,
below an overview of the available spare parts items.



SPARE PARTS NEW MODELS		
Item Nr.	Article number	Description
1 to 14	40201270	Impeller pump GV 4 / GV 7i / SC 3.5
11, 12	40409011	Impeller + Gasket kit
2, 3, 4, 5, 6, 7, 8, 9, 10	40201271	A-Kit maintenance Impeller pump
2, 3, 5, 6, 7, 8, 9, 10	40201272	B-Kit maintenance Impeller pump



Item Nr.	Article number	Description
1	40409020	Body pump 40201470
2	40409014	Bearing impeller pump
3	40409014	Bearing impeller pump
4	40409022	Shaft impeller pump
5	40409016	Clip impeller pump large
6	40409018	V-ring
7	40409015	Seal impeller pump
8	40409017	Mechanical Seal Washer
9	40409019	Clip impeller pump small
10	40409023	Impeller Backing Plate
11	40409013	Impeller
12	40409012	O-Ring cover impeller pump
13	40409021	Cover impeller pump 40201470
14	50209018	Screws impeller pump

GENERATOR MODELS: SC6 / SC8 SC10

Old pump, mounted on the following models

- Whisper 6000 / 8000
- Whisper 6 / 8 / 10 / 11
- Whisper 6 Ultra
- SC6 / 8 / 10 / 11 until December 2013
- SQ6 / 7



Old pump part No.: 50201850

Spares for this pump are still available:

- 40209011 Impeller kit
- 40201851 A-kit Maintenance
- 40209010 B-kit Maintenance

NEW MODEL, replacement pump and fits on above mentioned models, **with the exception of SQ6 / 7** (see next page)

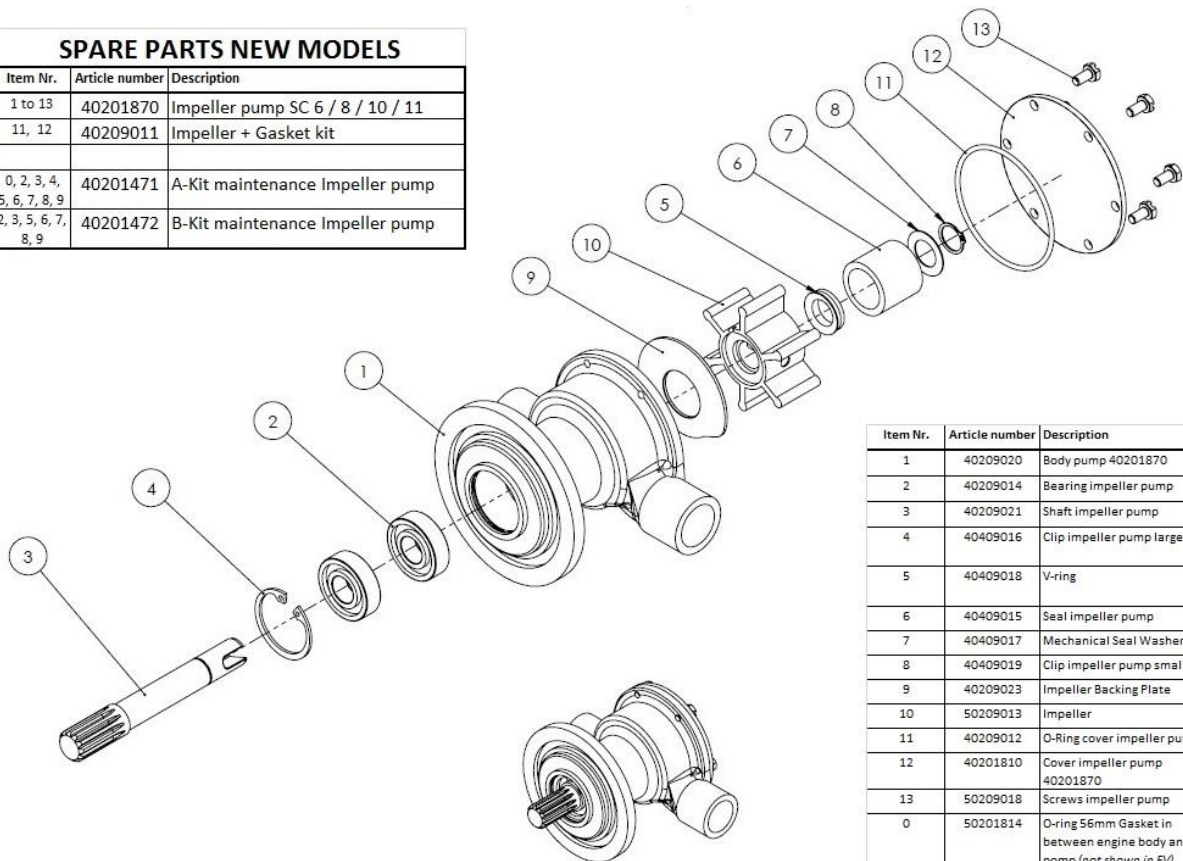
Part number new pump: **40201870**

New pumps are recognizable, the part number is marked on the cover.

Only the impellers of the new pumps are interchangeable with previous models. The other parts are not interchangeable, below an overview of the available spare parts items.



SPARE PARTS NEW MODELS		
Item Nr.	Article number	Description
1 to 13	40201870	Impeller pump SC 6 / 8 / 10 / 11
11, 12	40209011	Impeller + Gasket kit
0, 2, 3, 4, 5, 6, 7, 8, 9	40201471	A-Kit maintenance Impeller pump
2, 3, 5, 6, 7, 8, 9	40201472	B-Kit maintenance Impeller pump



Item Nr.	Article number	Description
1	40209020	Body pump 40201870
2	40209014	Bearing impeller pump
3	40209021	Shaft impeller pump
4	40409016	Clip impeller pump large
5	40409018	V-ring
6	40409015	Seal impeller pump
7	40409017	Mechanical Seal Washer
8	40409019	Clip impeller pump small
9	40209023	Impeller Backing Plate
10	50209013	Impeller
11	40209012	O-Ring cover impeller pump
12	40201810	Cover impeller pump 40201870
13	50209018	Screws impeller pump
0	50201814	O-ring 56mm Gasket in between engine body and pump (not shown in EV)

GENERATOR MODELS: SQ6 up to SQ 15

Old pump, mounted on the following models

- Whisper Ultra's from 8 up to 15 Ultra
- SQ8 up to SQ 15 until December 2013



Old pump part No.: 50201450

Spares for this pump are still available:

- 40209011 Impeller kit
- 40201851 A-kit Maintenance
- 40209010 B-kit Maintenance

NEW MODEL, replacement pump and fits on all 1500/1800rpm generator models from SQ 6 up to SQ 15.

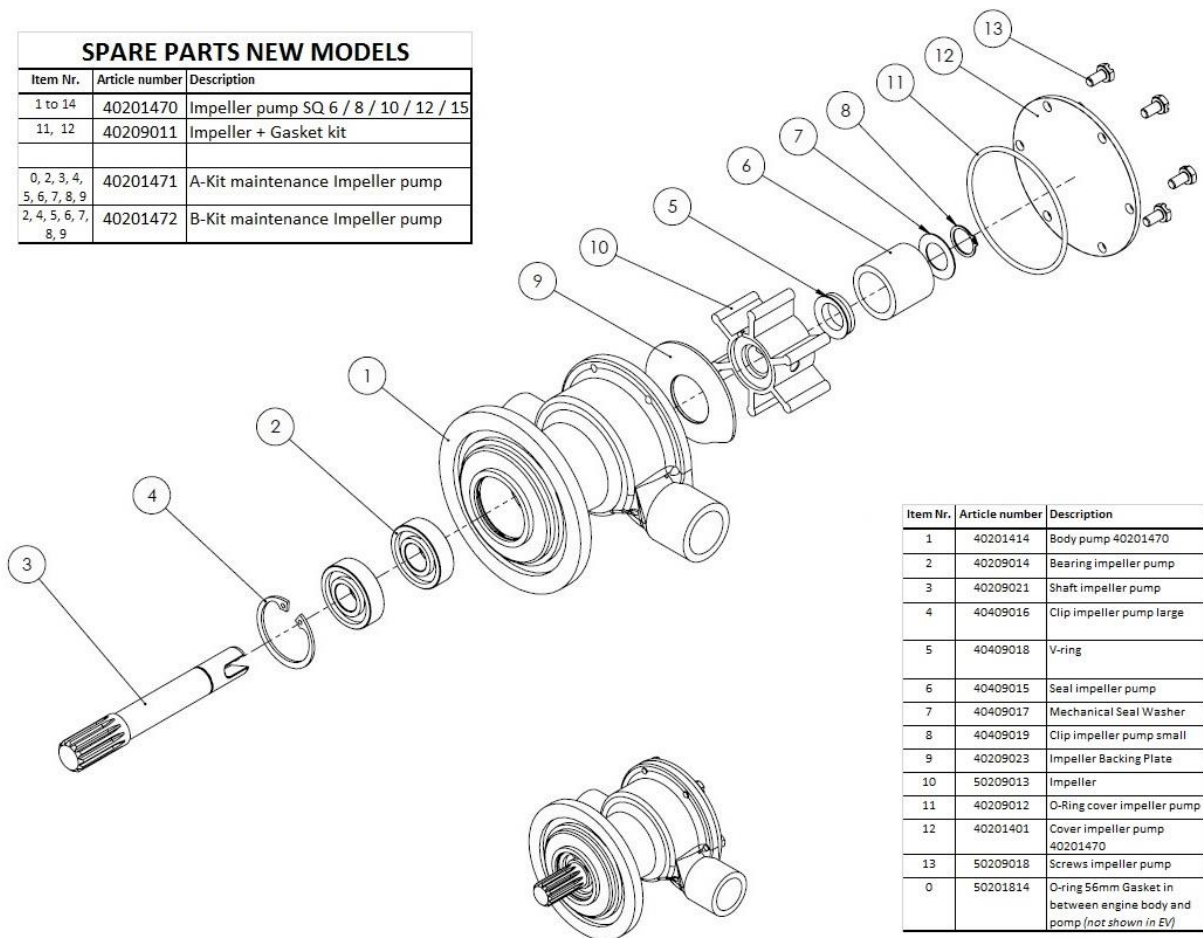
Part number new pump: **40201470**

New pumps are recognizable, the part number is marked on the cover.

Only the impellers of the new pumps are interchangeable with previous models. The other parts are not interchangeable, below an overview of the available spare parts items.



SPARE PARTS NEW MODELS		
Item Nr.	Article number	Description
1 to 14	40201470	Impeller pump SQ 6 / 8 / 10 / 12 / 15
11, 12	40209011	Impeller + Gasket kit
0, 2, 3, 4, 5, 6, 7, 8, 9	40201471	A-Kit maintenance Impeller pump
2, 4, 5, 6, 7, 8, 9	40201472	B-Kit maintenance Impeller pump



Item Nr.	Article number	Description
1	40201414	Body pump 40201470
2	40209014	Bearing impeller pump
3	40209021	Shaft impeller pump
4	40409016	Clip impeller pump large
5	40409018	V-ring
6	40409015	Seal impeller pump
7	40409017	Mechanical Seal Washer
8	40409019	Clip impeller pump small
9	40209023	Impeller Backing Plate
10	50209013	Impeller
11	40209012	O-Ring cover impeller pump
12	40201401	Cover impeller pump 40201470
13	50209018	Screws impeller pump
0	50201814	O-ring 56mm Gasket in between engine body and pump (not shown in EV)