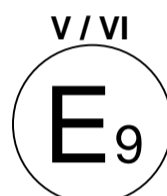


◆ MXN46R-TVI Corner Camera



◆ Features

- 2.07 Mega pixels Full HD SONY CMOS Color camera
- 1/2.8" Color CMOS high resolution image sensor (STARVIS)
- HD-TVI 1080P/30fps
- IP69K Waterproof Rating
- Diagonal 200° Viewing angle
- Normal/Mirror Image adjustable
- Ultra low light performance
- Automatic Electronic Iris
- Built-in Microphone (for one-way Audio)
- Temperature Range -40°C to +80°C
- Vibration resistant (10G)
- Waterproof screw type connector, 4-pin mini-DIN
- Various spacer type for optimal alignment (0 degree, 8 degree, 15 degree)
- ECE R10.05 approved (EMC)
- ECE R46 Class V and Class VI approved (together with MXN10Q-TVI monitor)

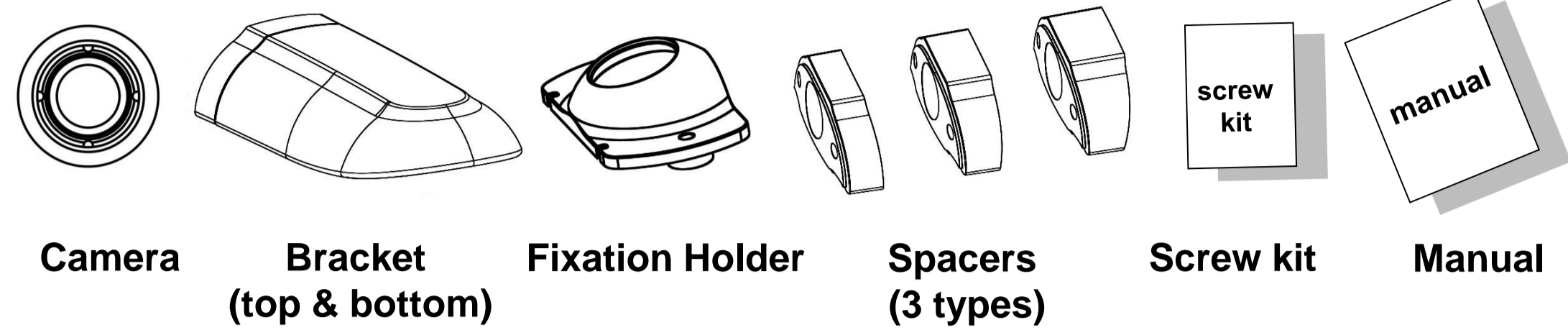


04.16273 E9*46R04/08*16273*00



10R-06 11379

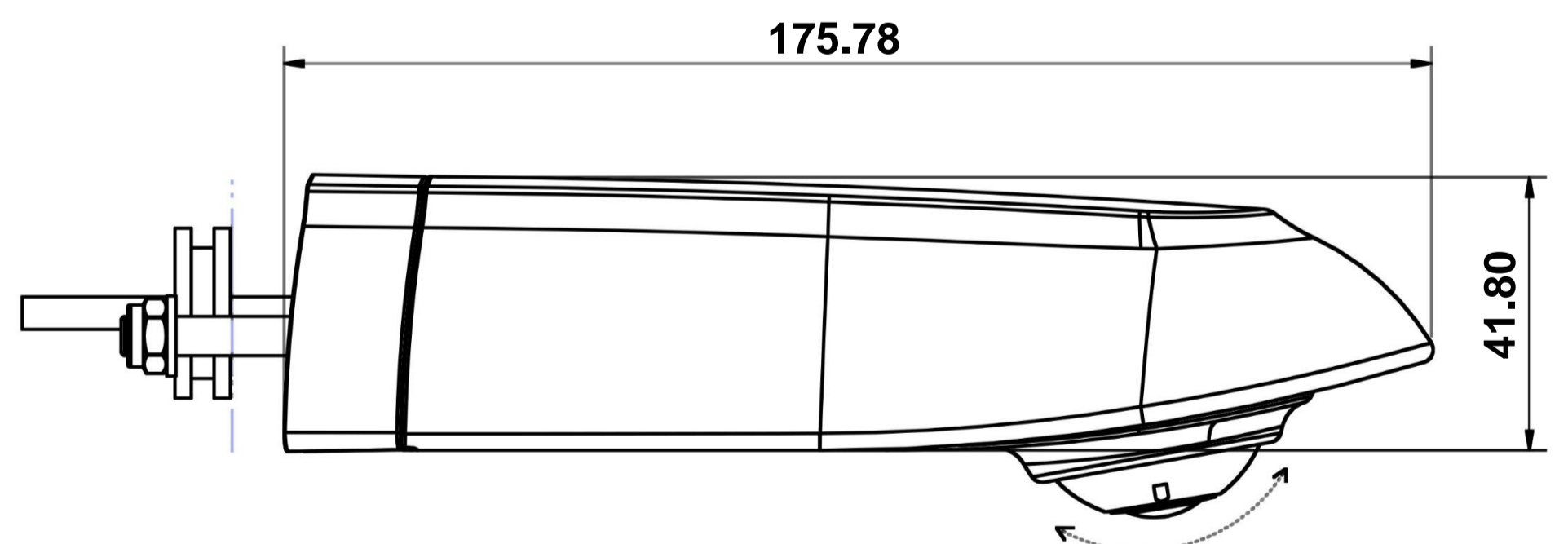
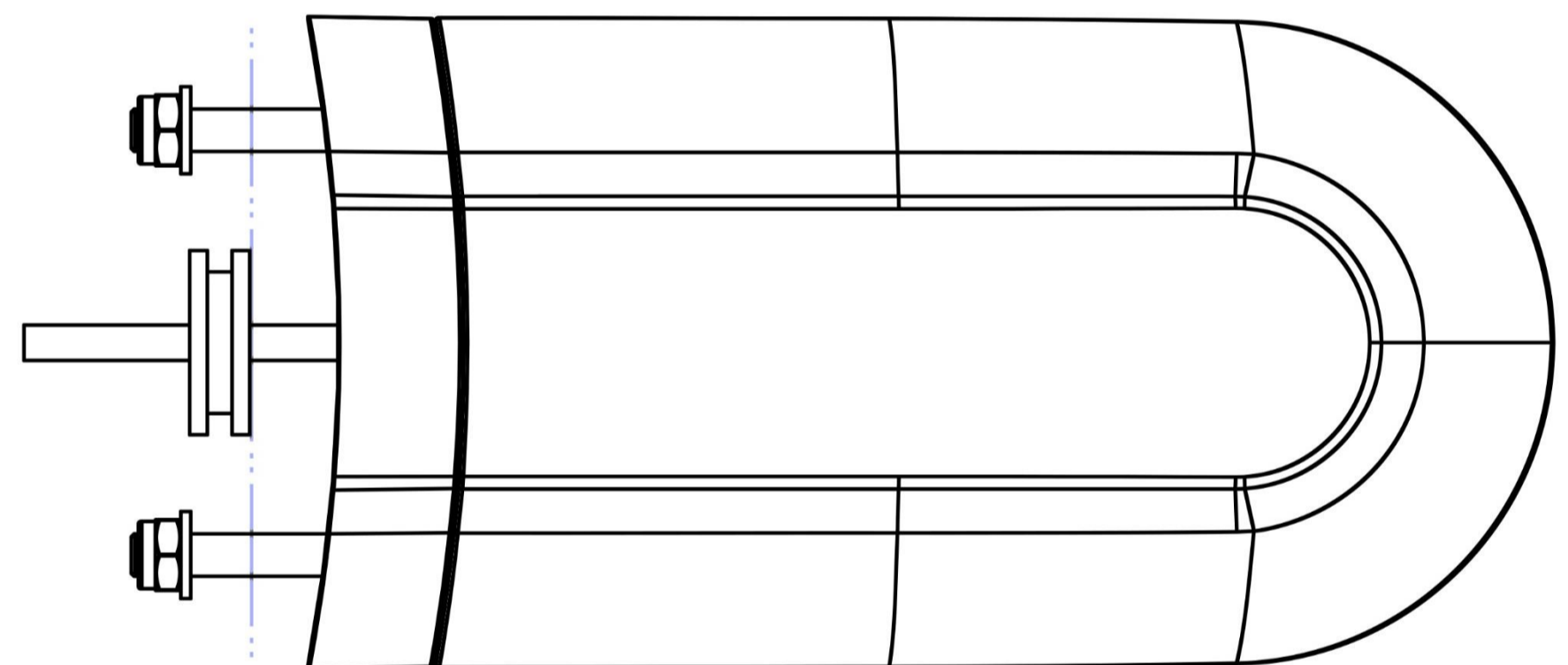
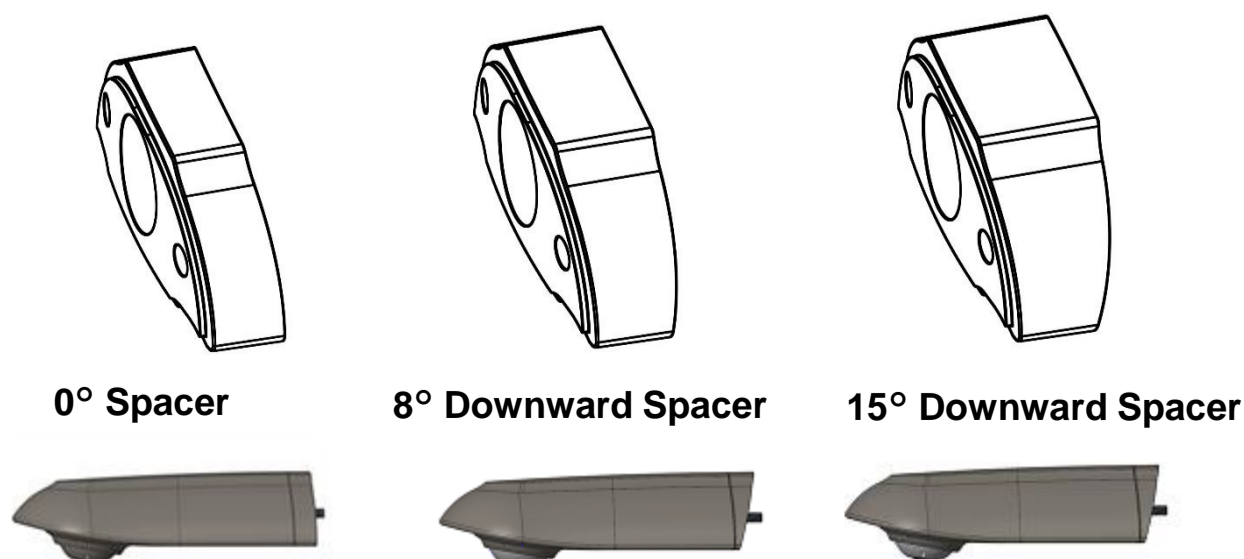
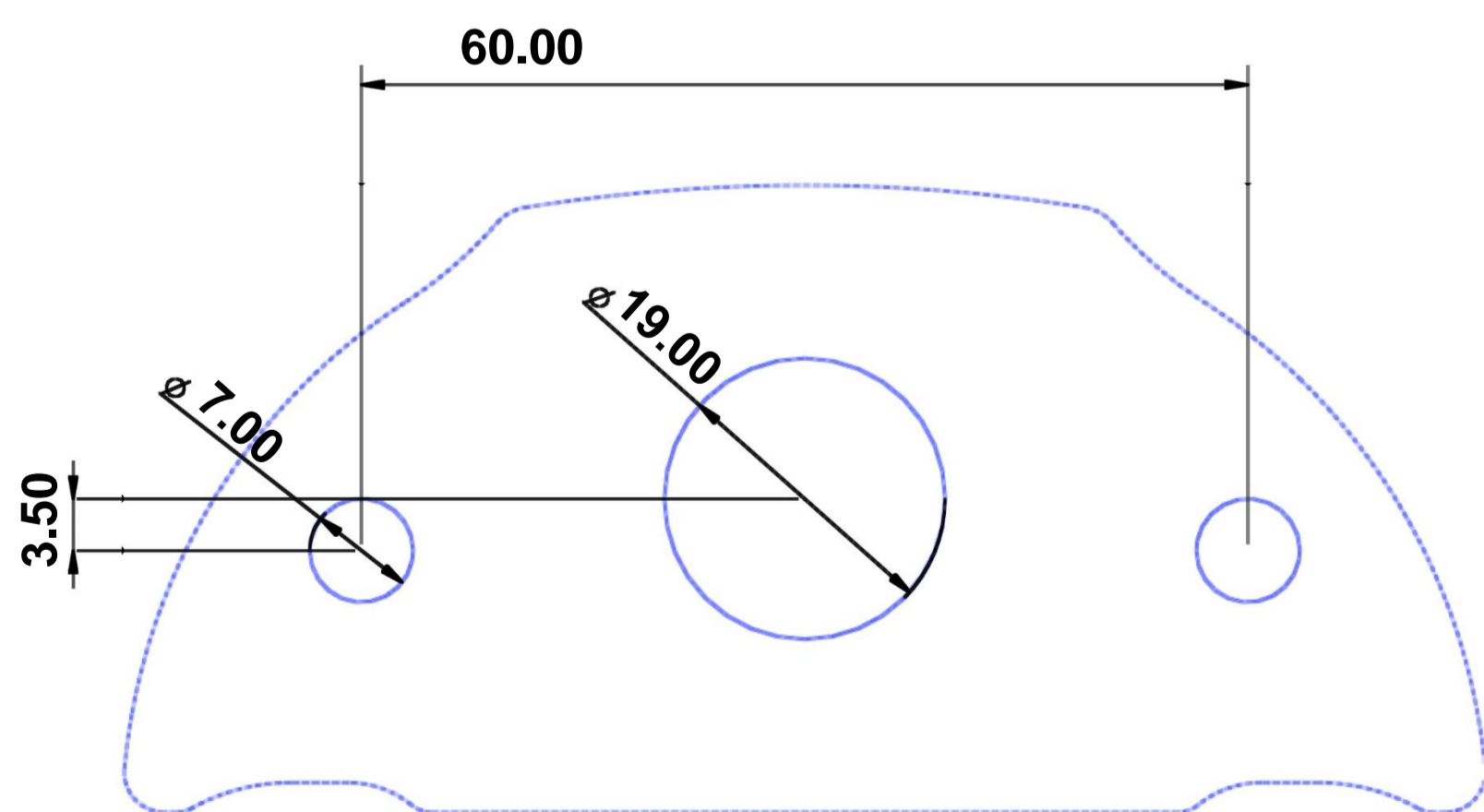
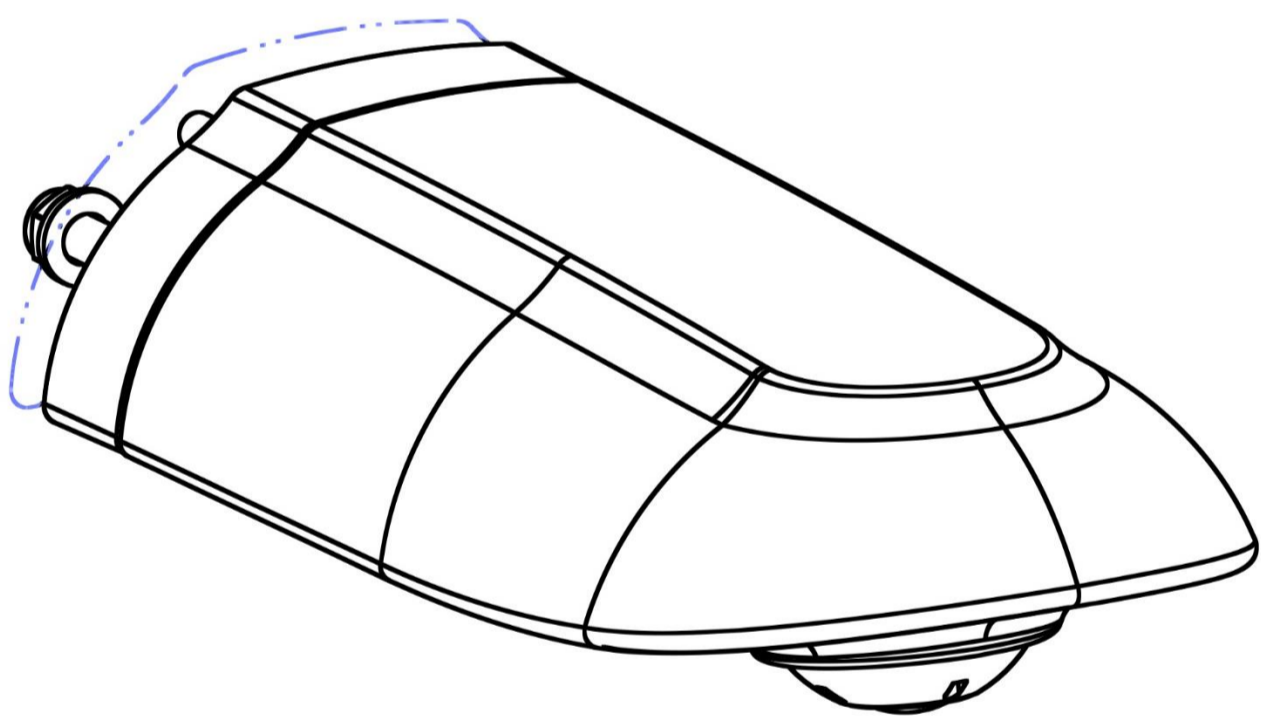
◆ Contents



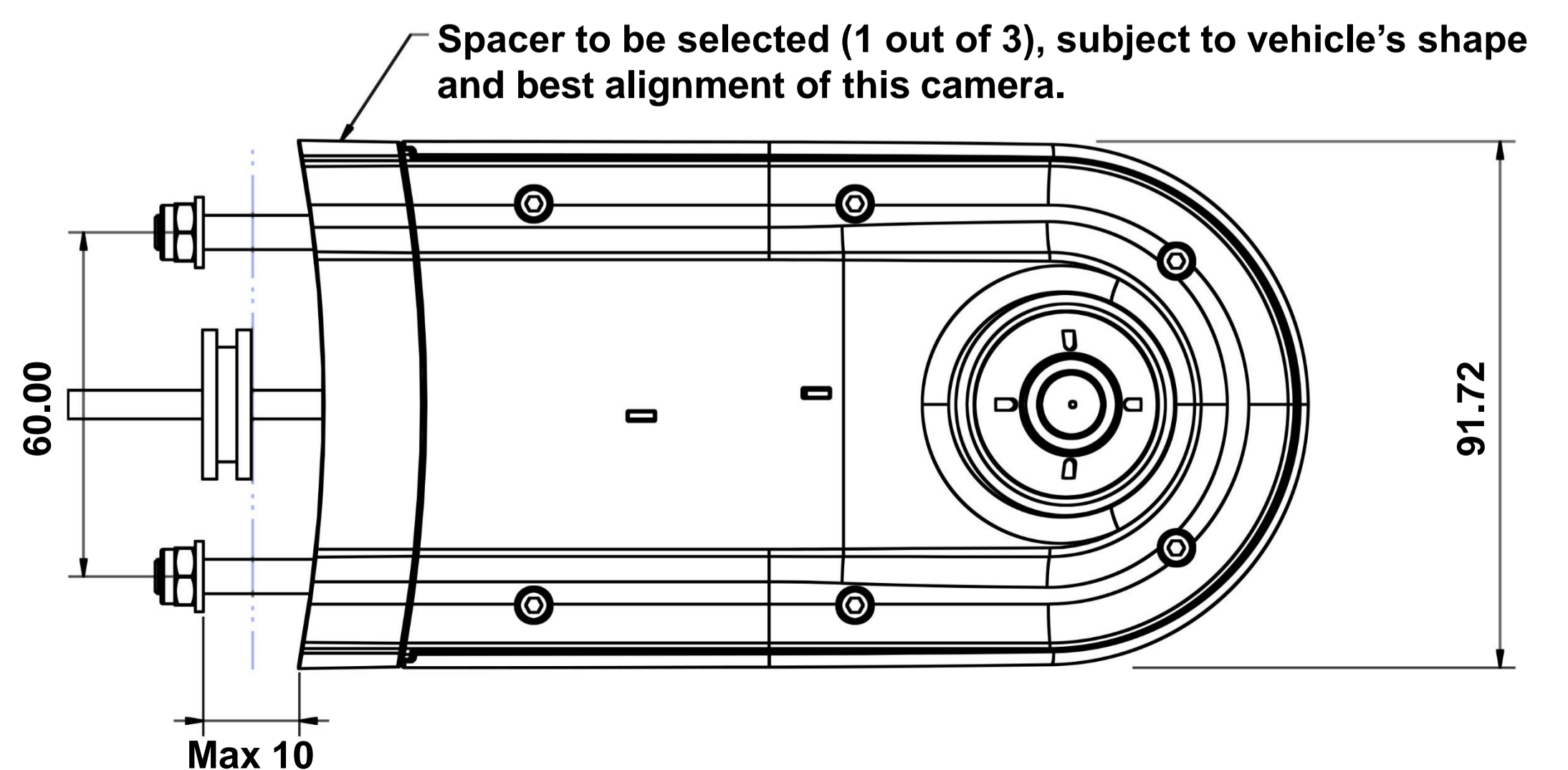
◆ Technical Specifications

Image Sensor	1/2.8" Sony CMOS Sensor (STARVIS)
Effective Pixels	2.07 Mega pixels, 1920(H) x 1080(V)
Resolution	1080 TV lines
Scanning System	Progressive
Video Output	HD-TVI 4.0, 1080P/30fps
Audio Input	High Sensitive C-Microphone
S/N Ratio	More than 48dB (at minimum AGC gain)
Lens Distortion Correction	Horizontal correction only
Lens	200° (Diagonal), 175° (Horizontal), 97° (Vertical)
Minimum Illumination	0.5 Lux (50IRE)
Power Consumption	DC 12V, 100mA
Power Range	DC 9V ~ DC 48V
Operating Temperature	-40°C to +80°C
Dimensions	91.7(W) x 170.5(D) x 42(H) incl. Bracket
Weight	Approx. 107g (total weight incl. bracket : 290g)

◆ Dimensions

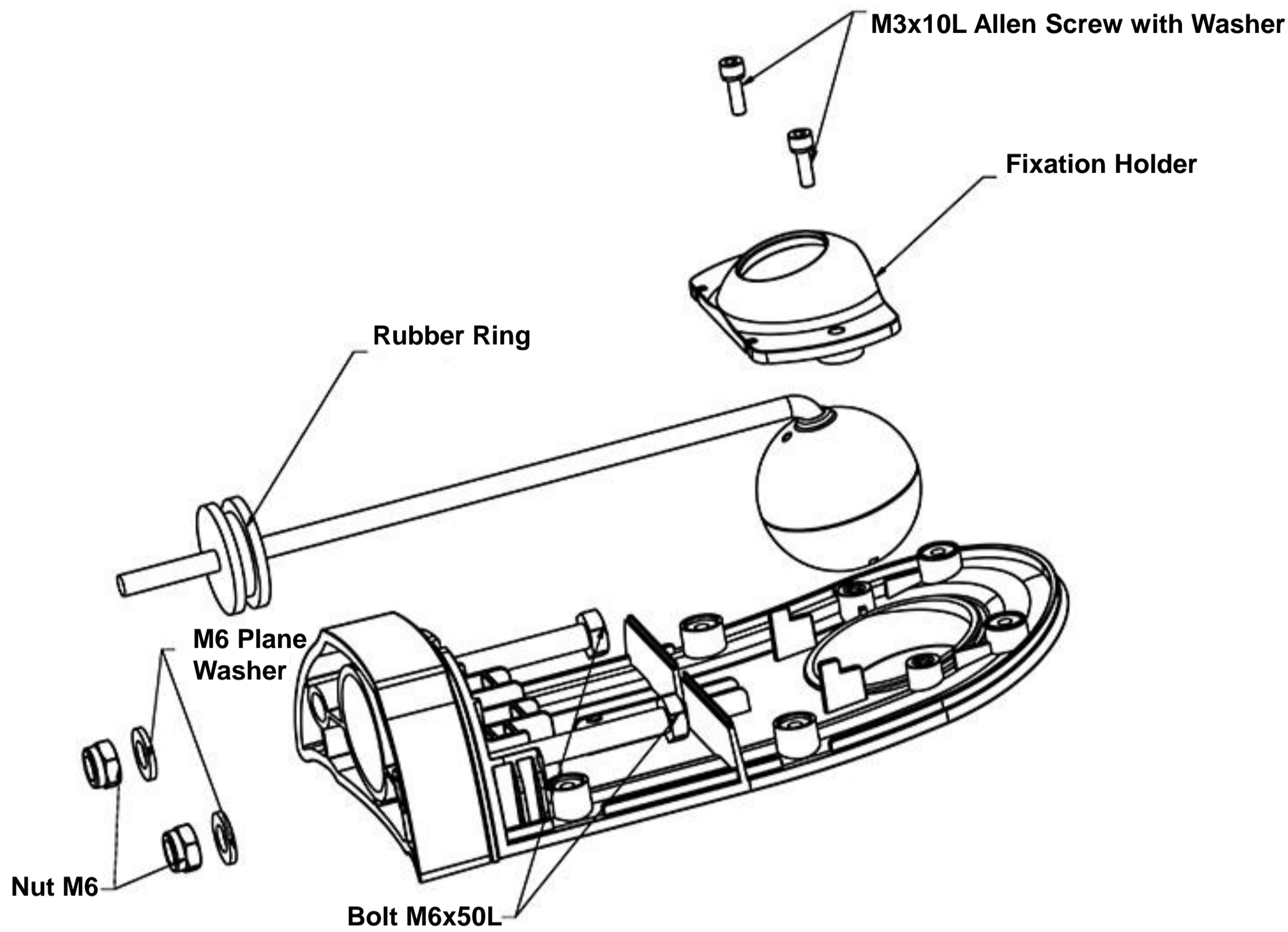


±30° Adjustment Range of Camera

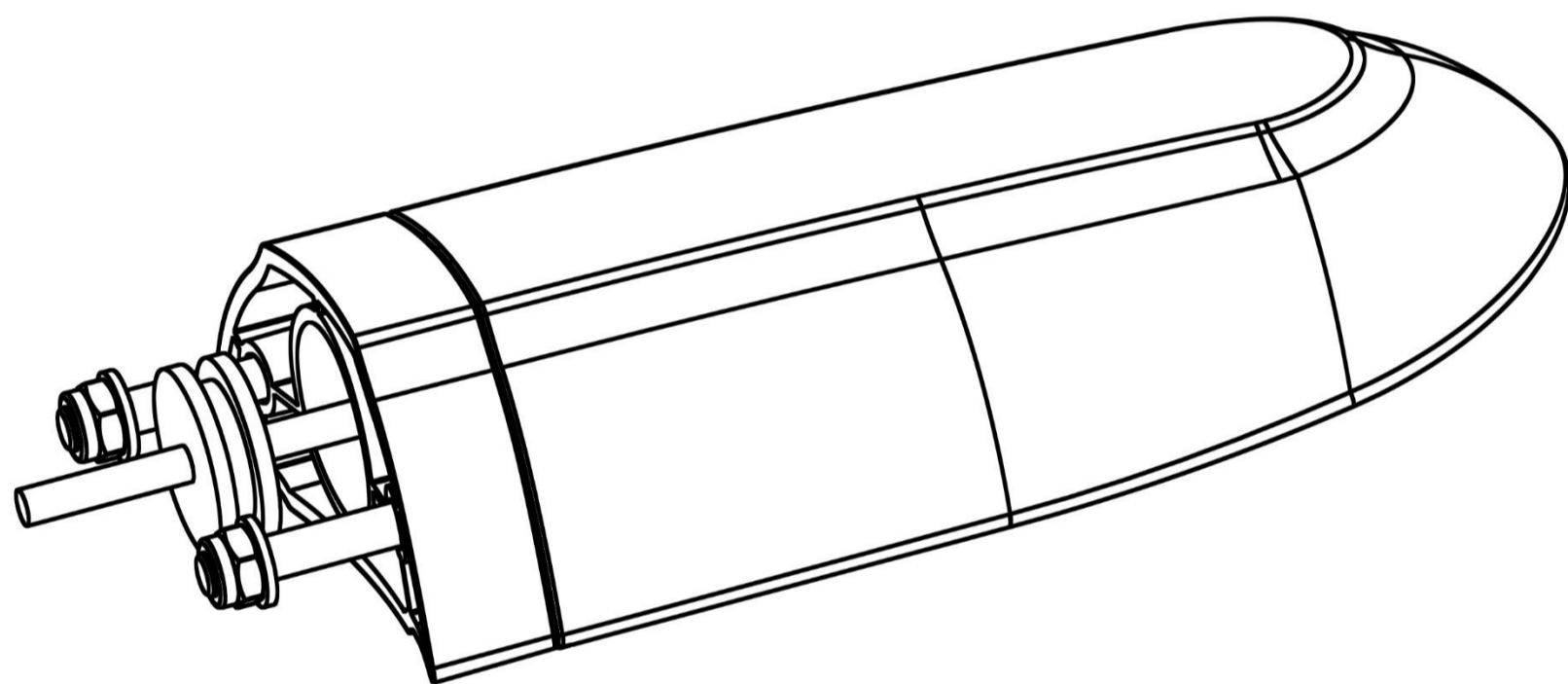


◆ Camera bracket assembling (please also check the additional installation instructions)

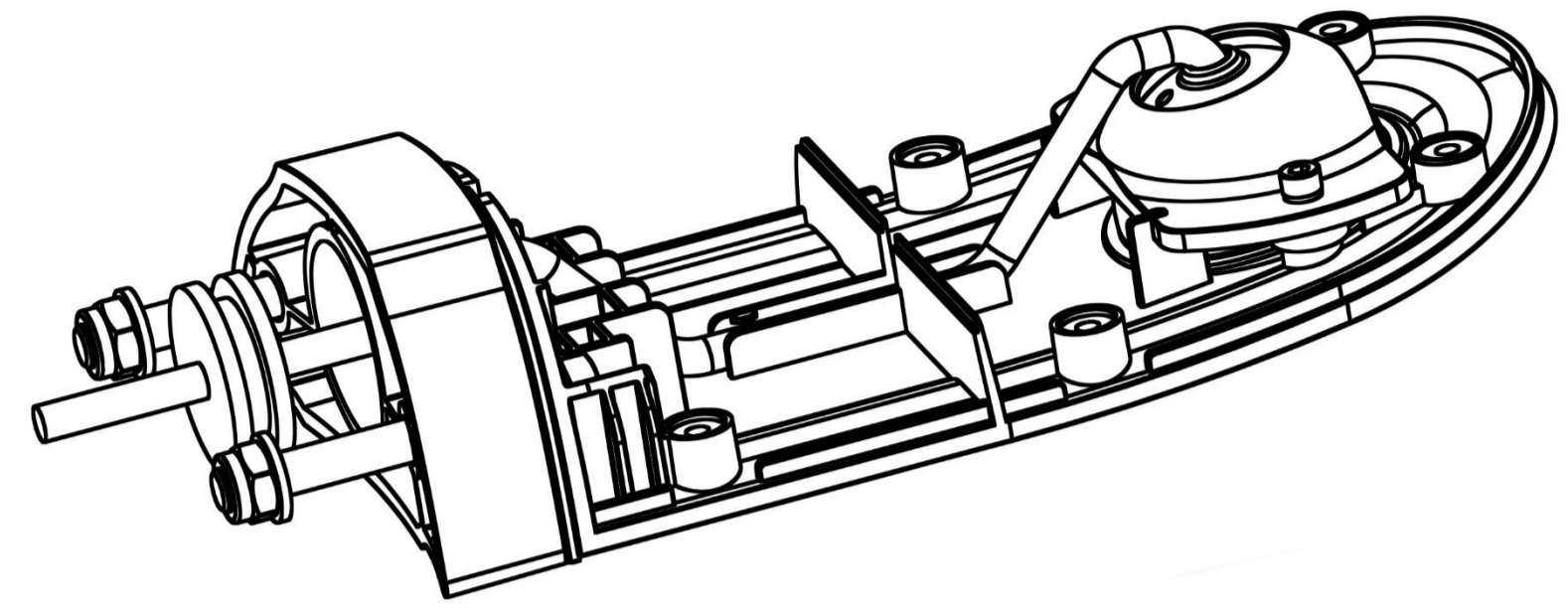
Select 1 of the 3 spacers (to achieve the optimal horizontal alignment out of the vehicle's front) and insert the camera into the bottom bracket. Fix the camera with the fixation holder. The cable and the rubber grommet must be inserted through the camera's fixation holder, bulkhead and spacer. The supplied 2 pcs M6 bolts must be inserted backwards via the bottom bracket through the bulkhead, the spacer and the vehicle's front.



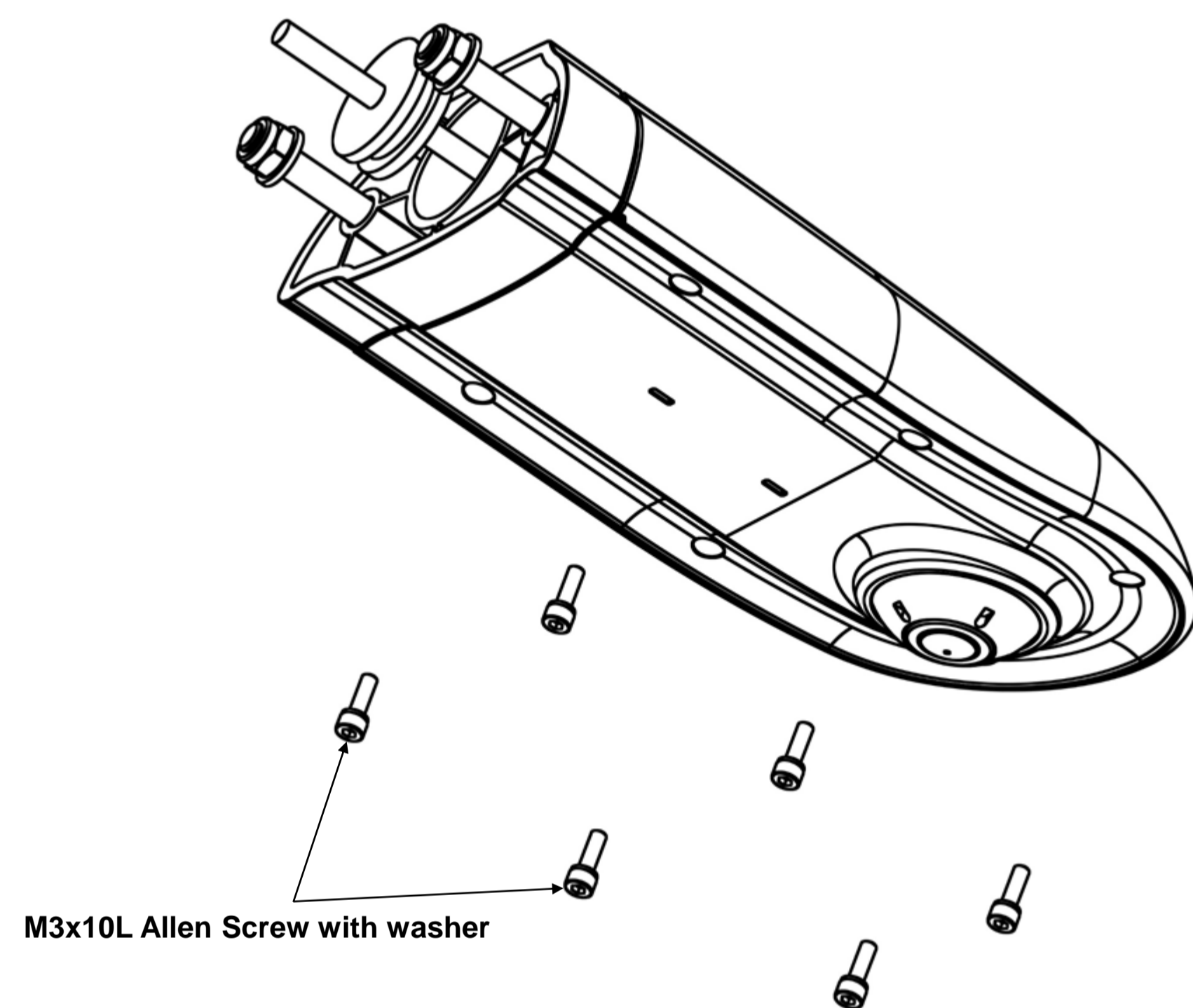
Close the bottom bracket with top bracket.



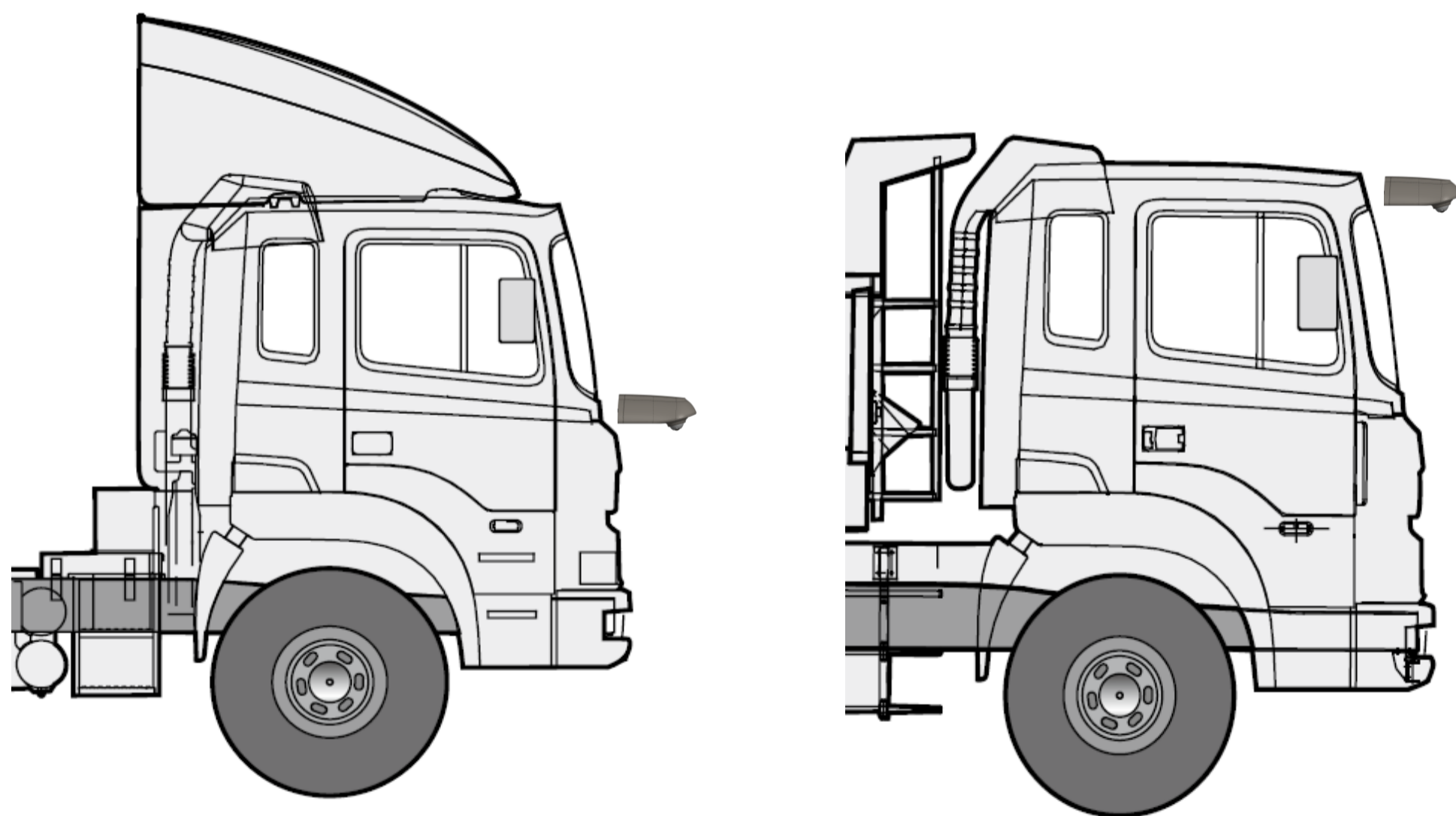
Before final fixations of the camera, please test & adjust the viewing direction of the camera to achieve both ECE-R46 Class V field of view and ECE-R46 class VI field of view at the same moment. Then fasten the fixation holder with the 2 pcs screw firmly. Run & fix the camera's cable at the bottom bracket according the drawing details below:



Insert the supplied screws and fasten the top and bottom bracket each other firmly.

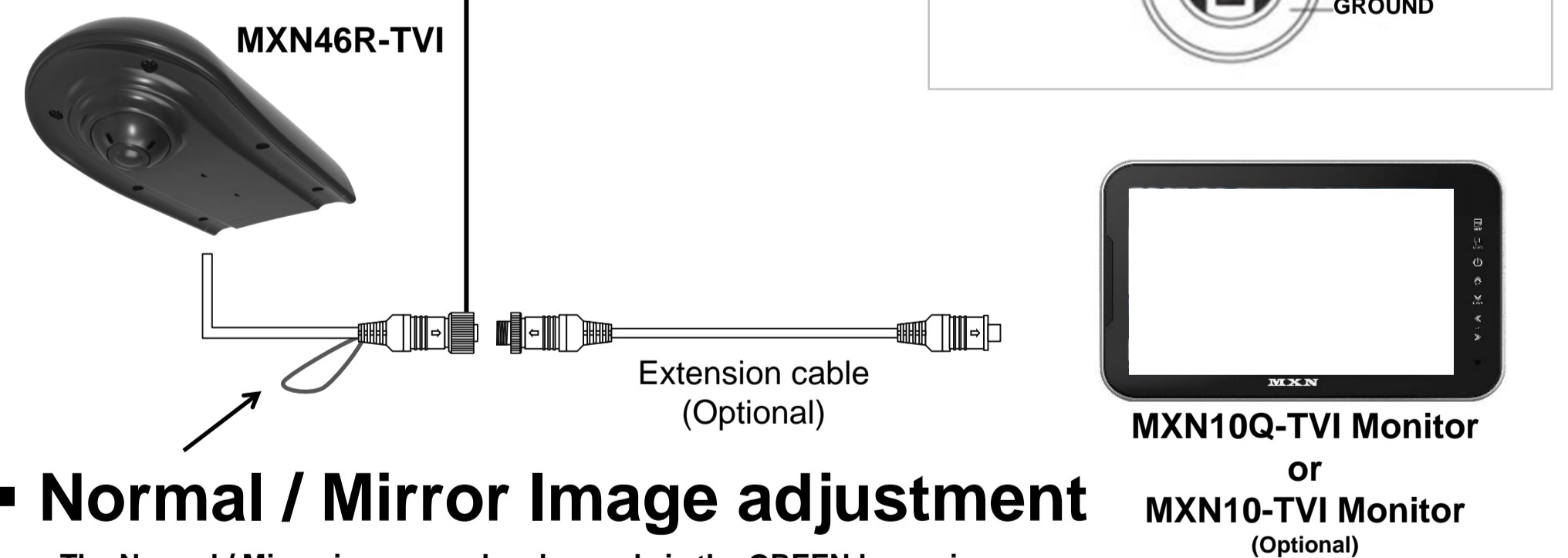


◆ Camera installation and connection (please also check the additional installation instructions)



■ Wiring to Monitor

Run the cable from the camera to the monitor.



■ Normal / Mirror Image adjustment

The Normal / Mirror image can be changed via the GREEN loop wire:

- * Green loop wire un-cut: MIRROR image
- * Green loop wire cut: NORMAL image

■ Securing cable connection

1. Match the arrow marks and press the connectors together.

2. Screw the camera connector up clockwise.



3. Tighten cable connection firmly in order to prevent water ingress.

Note!
Warranty will not be valid if the problem is related to moist / corrosion in the connector.

■ Caution !!

1. Before making the connection, disconnect the ground terminal from the battery to avoid short circuits.
2. The plugs should be fully inserted into the connectors or jacks. A loose connection may cause malfunctioning of the unit.
3. A damaged cable may affect the operation of the camera and may even cause a malfunction of the camera or monitor: Avoid a damaged cable!
4. Protect the cable by using a guide tube, pipe or run the cable inside the vehicle as much as possible. Caution! Run the cable in natural shapes in order to prevent cable breaks.
5. Preferably use an acid free grease in between the waterproof screw type connectors and tighten them firmly each other.