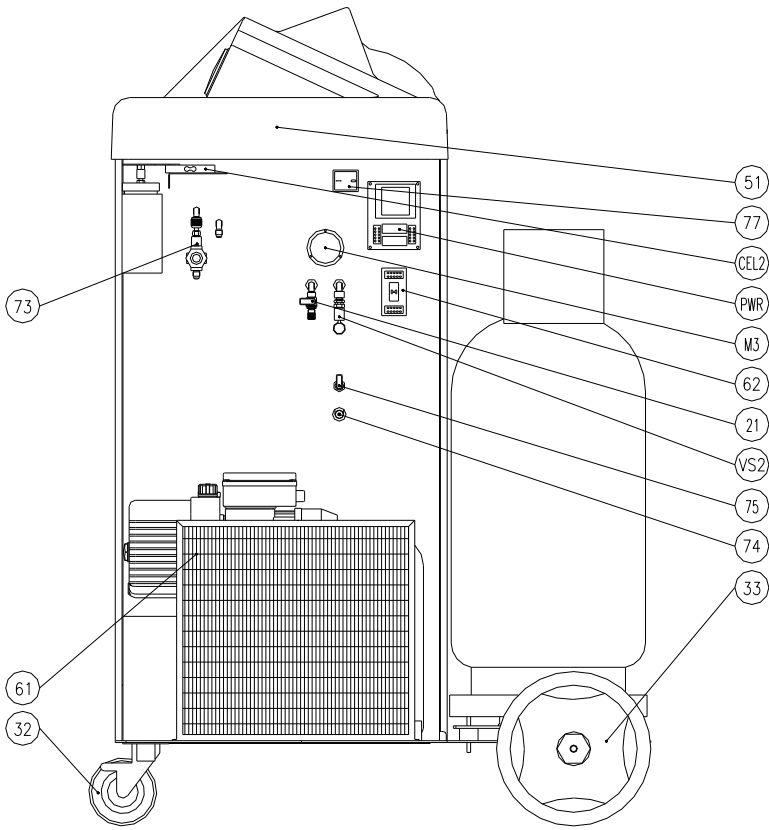
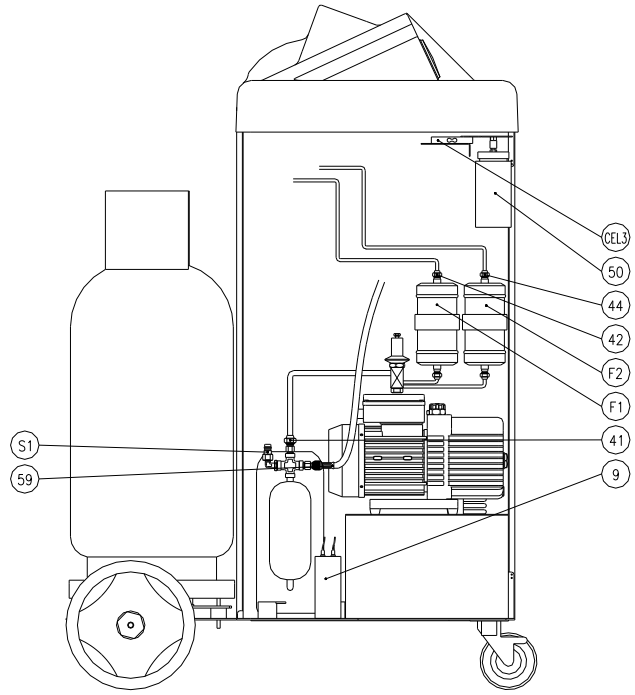
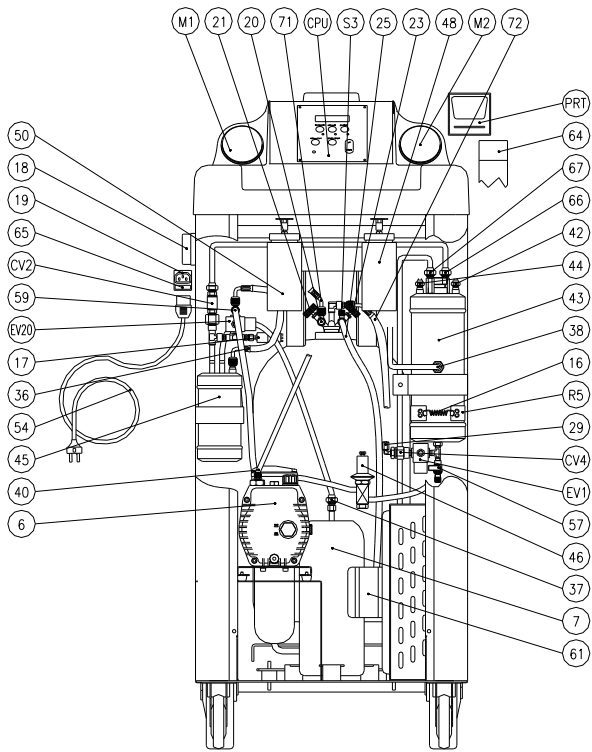
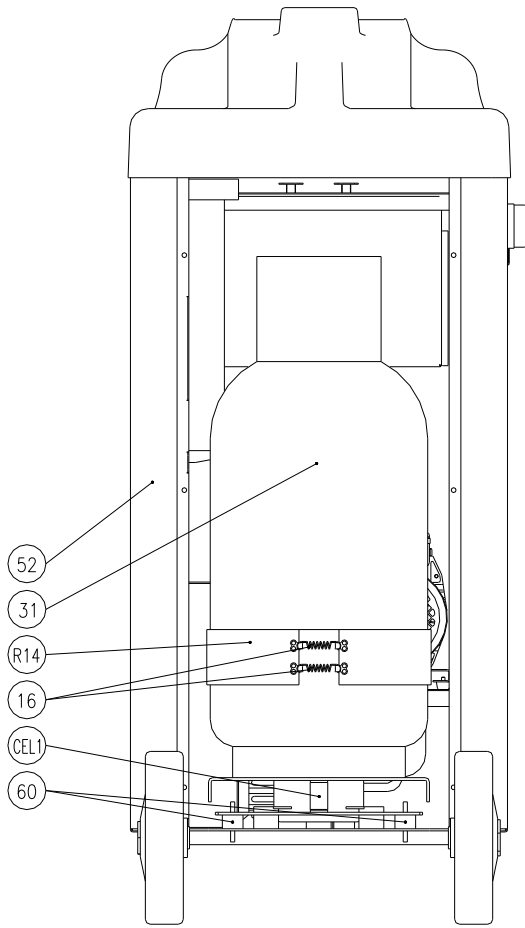


Layout drawing





Legend

CEL1	Load cell - 100 kg (refrigerant)	26	Capillary hose connecting LOW valve to LP pressure sensor
CEL2	Load cell - 5 kg (oil discharge)	27	Capillary hose connecting HIGH valve to HP pressure sensor
CEL3	Load cell - 5 kg (oil charge)	29	Oil discharge capillary tube
CPU	Control board	31	Complete refrigerant bottle
CV2	Check valve – compressor delivery line	32	Front wheel with brake
CV3	Check valve – refrigerant charging line	33	Rear wheel Ø 250
CV4	Check valve – oil discharge line	34	Recovery solenoid valve connecting hose
CV5	Check valve – oil charging line	35	Oil injection capillary tube
CV6	Check valve - compressor delivery line (condenser)	36	Hose - pressure return to compressor
EV1	Solenoid valve – oil discharge line	37	Compressor/compressor oil separator connecting hose
EV2-1	Solenoid valve 1 - recovery line	38	Valves assembly - distiller connecting hose
EV2-2	Solenoid valve 2 - recovery line	40	Vacuum pump hose
EV2-A	Solenoid valve recovery line (not return)	41	Compressor suction hose
EV4	Solenoid valve - vacuum line	42	Distiller/filter F1 connecting hose
EV13	Solenoid valve - refrigerant charging line	43	Distiller / separator
EV19	Solenoid valve - oil/UV charging line	44	Distiller/filter F2 connecting hose
EV20	Solenoid valve - pressure return to compressor	45	Oil separator – complete compressor
F1	Filter drier	46	Flow regulation valve with hoses
F2	Filter drier	47	Handle support
LOW	Manual valve - LOW	48	Oil discharge bottle
HIGH	Manual valve - HIGH	50	Oil/UV charging bottle
M3	Bottle gauge	51	Plastic cover
PRT	Printer	52	Frame
PWR	Electric feeder	53	Front door
R14	Heater belt with thermostat on the bottle	54	Power cable
S1	Service connection for compressor evacuation	55	HIGH quick coupler
S2	Bottle service connection (external)	56	LOW quick coupler
S3	Bottle service connection (1/4" SAE)	57	Manual discharge valve on the distiller
TR15	Pressure transducer LOW	59	Oil return hose to compressor
TR16	Pressure transducer HIGH	60	Vibration damping feet on the scale
T1	LOW flexible hose	61	Condenser with fan
T2	HIGH flexible hose	62	Remote control witch for recovery compressor
VS2	External safety valve	64	Thermal paper roll
6	Vacuum pump	65	Fuse on outlet (10A)
7	Compressor	66	Distiller coil inlet tube
9	Compressor starting condenser	67	Distiller coil outlet tube
10	Vacuum pump oil filler plug	68	Rear door
11	Vacuum pump sight glass	69	Handle
12	Vacuum pump oil drain plug	70	External service valve on bottle
16	Spring for heater belt	71	Connection hose between external valve and bottle
17	Safety pressure switch	72	Connection hose between external safety valve and bottle
18	Main power switch	74	Service valve for the connection of the external bottle
19	Power outlet (with fuse)	75	3-way valve to divert the refrigerant flow to the outer bottle
20	Refrigerant charge hose	76	3-way valve / bottle connecting hose
21	Liquid valve on the bottle	77	Heater switch
23	Vapour valve on the bottle	78	Service port on Low side hose
25	Condenser / 3-way valve connecting hose	79	Hose of connection bottle pressure gauge
		111	Auxiliary port on LOW flexible hose

Spare parts

Reference	Description (English)	Unit type	Wigam Code	Wigam complete description
6	Vacuum pump	Tutti / All	L 02099035	WP14DE*POMPA VUOTO 230L/MIN C/EV
7	Compressor	Tutti / All	L 14002048	COMP.COMPL.X 150-HP-MULTI
9	Condenser	Tutti / All	L 15005023	CONDENS.50µF-400V x COMP.ROT.21cc
16	Spring for heater	Tutti / All	L 14023015	MOLLA PER RESISTENZA RSF400
17	Safety swich	Tutti / All	L 14007042	PRESSOSTATO ALTA STATICO 24BAR 2 FILI
20	Refrigerant charge hose	Tutti / All	L 06071089002	GYSS/4-4/47cm/R*TUBO FLESSIBILE
25	Condenser - 3 way valve	Tutti / All	L 06071115001	GYSS/4-4/57CM/B*TUBO FLESSIBILE
26	Low pressure gauge capillary hose	Tutti / All	L 06050058	X012SS/4-4/350*TUBO CAPILL.GRAFF.350MM
27	High pressure gauge capillary hose	Tutti / All	L 06050058	X012SS/4-4/350*TUBO CAPILL.GRAFF.350MM
29	Oil discharge capillary hose	Tutti / All	L 06054049	TUBO CAP.KINAR.COMPL.x MACCHINE 1000mm
31	Bottle	Tutti / All	L 11001121	W2-WR40K-TPED/20*BOMB.40kg C/2RUB. 20bar
32	Frontal wheel	Tutti / All	L 14013019	SGP/100(G+F)/N*RUOTA NERA bocc.FT Zn
33	Rear wheel	Tutti / All	L 14013021	BOR/250x55 F.20*RUOTA C/COPRIMOZZO
35	Oil charge capillary hose	Tutti / All	L 06054049	TUBO CAP.KINAR.COMPL.x MACCHINE 1000mm
36	Pressure return of compressor hose	Tutti / All	L 06073069003	GYSL/4-4/27cm/Y*TUBO FLESSIBILE
38	Valves block - distiller hose	Tutti / All	L 06051054	TUBO RAME 3/8" x 150-HP RIF.50
40	Vacuum hose	Tutti / All	L 06140003	IVSS/6-6/55CM*TUBO FLESS. VUOTO 55CM
41	Filter-compressor hose	Tutti / All	L 06051053	TUBO RAME 3/8" x 150-HP RIF.40
42	Distiller - Filter 1 hose	Tutti / All	L 06051056	TUBO RAME 1/4" x 150-HP RIF.70
43	Oil separator	Tutti / All	L 14004080	DISTIL.COMPLETO x 150-HP
44	Distiller - Filter 2 hose	Tutti / All	L 06051057	TUBO RAME 1/4" x 150-HP RIF.80
45	Lubricant oil separator	Tutti / All	L 14004081	SEPARAT.OLIO COMPRES.COMPLETO x 150-HP
46	Complete flow gas valve	Tutti / All	L 14032002	VALVOLA REGOL.FLUSSO COMPLETO x 150-HP
47	Handle support	Tutti / All	L 14021011	SUPPORTI x MANIGLIA MACCHINE
48	Oil drain bottle	Tutti / All	L 14024005	BOTTIGLIA DOSATORE/SCARICO OLIO 0,5 LT
50	Oil/Uv dosimeter	Tutti / All	L 14024005	BOTTIGLIA DOSATORE/SCARICO OLIO 0,5 LT
51	Plastic cover	Tutti / All	L 14012078	TERMOF.x 150-4/5 RAL7016 ABS OPACO
53	Front panel	Tutti / All	L 14011218	SPORT.ANTER.RAL9006 BUCCI. x 150-HP
54	Power cable (Europa Standard)	Tutti / All	L 15003030	CAVO 3x1,0 PC-90°/SCHUKO-90° 3000mm
59	tube of oil of compressor	Tutti / All	L 06073045003	GYSL/4-4/60cm/Y*TUBO FLESSIBILE
60	Refrigerant scale silentblock	Tutti / All	L 14026013	SILENTBLOCK h20-Ø30mm M8x16
61	Condenser with fan	Tutti / All	L 14006050	CONDENS.COMPL.x 150-HP
62	Contactore	Tutti / All	L 15005013	TELERUTTORE MC6.10 220V
64	Paper for printer	Tutti / All	L 09009056	PLUS/PAPER* CARTA TERMICA Ø50x57
65	Fuse on plug	Tutti / All	L 15005026	FUSIBILE 5X20-25A T/(RITARDATO)
66	Copper hose	Tutti / All	L 06051055	TUBO RAME 3/8" x 150-HP RIF.60
67	Copper hose	Tutti / All	L 06051051	TUBO RAME 3/8" x 150-HP RIF.20
68	Rear panel	Tutti / All	L 14011219	SPORT.POSTE.RAL7024 BUCCI. x 150-HP
69	Handle support	Tutti / All	L 14021029	TUBO MANIG.MACCHINE Ø25mm-L330mm RAL9006
71	Connecting hose with external valve of	Tutti / All	L 06072043001	GYSA/4-4/63cm/B*TUBO FLES.
72	Connecting hose with external safety v	Tutti / All	L 06072043002	GYSA/4-4/63cm/R*TUBO FLES.
73	Liquid indicator	Tutti / All	L 13008026	REC026*SPIA LIQUIDO/UMIDITÀ
75	3-way valve to divert the refrigerant flow to the outer bottle	Tutti / All	L 05003021	ART.6700-1/8F*VALV. 3V 1/8"NPTF CHIUSA
76	3 way valve - Bottle hose	Tutti / All	L 06071109001	GYSS/4-4/50CM/B*TUBO FLESSIBILE
78	Hose of connection of bottle pressure	Tutti / All	L 06050082	X012SL/4-4/530*TUBO CAPILL.GRAFF.530MM
CEL1	Refrigerant load cell	Tutti / All	L 14025059	CELLA CARICO CABLATA 100kg L=1500mm
CEL2	Oil discharge load cell	Tutti / All	L 14025058	CELLA CARICO CABLATA 5kg L=650mm
CEL3	Oil PAG load cell	Tutti / All	L 14025058	CELLA CARICO CABLATA 5kg L=650mm
CPU	Complete console	Tutti / All	L 14025172	21H0-RVC-SPARE*SCHEDA RICAMBIO 7" RVC
CV2	Check valve	Tutti / All	L 14017007	VALVOLA RITEGNO 3/8"SAE MM PTFE
CV3	Check valve	Tutti / All	L 14017005	VALVOLA RITEGNO 1/8"G MF CH 22
CV4	Check valve	Tutti / All	L 14017005	VALVOLA RITEGNO 1/8"G MF CH 22
CV5	Check valve	Tutti / All	L 14017005	VALVOLA RITEGNO 1/8"G MF CH 22
CV6	Check valve	Tutti / All	L 14017005	VALVOLA RITEGNO1/8"G MF CH 22
EV1	Solenoid valve	Tutti / All	L 14016015	212A3K0F30-OP*ELETTROVALVOLA NC 1/8"
EV13	Solenoid valve	Tutti / All	L 14016015	212A3K0F30-OP*ELETTROVALVOLA NC 1/8"
EV19	Solenoid valve	Tutti / All	L 14016015	212A3K0F30-OP*ELETTROVALVOLA NC 1/8"
EV2-1	Solenoid valve	Tutti / All	L 14016015	212A3K0F30-OP*ELETTROVALVOLA NC 1/8"
EV2-2	Solenoid valve	Tutti / All	L 14016015	212A3K0F30-OP*ELETTROVALVOLA NC 1/8"
EV2-A	Solenoid valve	Tutti / All	L 14016018	21A2KF55*ELETTROVALVOLA NC 1/4"
EV20	Solenoid valve	Tutti / All	L 14016016	21A3ZF20D*ELETTROVALVOLA NA 1/8"
EV4	Solenoid valve	Tutti / All	L 14016015	212A3K0F30-OP*ELETTROVALVOLA NC 1/8"
F1	Filter drier	Tutti / All	L 14015013	XH412*FILTRO DEIDRATORE
F2	Filter drier	Tutti / All	L 14015013	XH412*FILTRO DEIDRATORE
M3	Bottle pressure gauge	Tutti / All	L 13008045	REC045*MANOM.BASSA PRESS.EASYREC1-2
PRT	Printer	Tutti / All	L 14025080	21B0PRN*STAMPANTE CON CABLAGGIO RVC
PWR	Power supply	Tutti / All	L 14025165	21H0-ALM-OPTI-35VA*ALIMENTAT.X OPTIMA
R14	Heater on the bottle 400W	Tutti / All	L 14019007	RSF 400/2T/C12*RES.2TERM.400W+2 MOLLE
TR15	LOW Pressure transducer	Tutti / All	L 14007046	TRASDUTTORE COMPLETO X OPTIMA (RVC)
TR16	HIGH Pressure transducer	Tutti / All	L 14007046	TRASDUTTORE COMPLETO X OPTIMA (RVC)
VS2	Safety valve	Tutti / All	L 14018012	VS 24*VALV SICUREZZA 24BAR 4°CAT